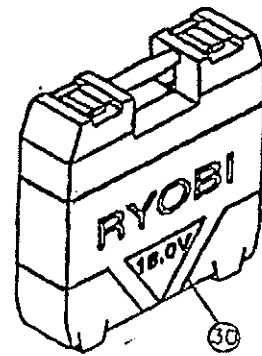
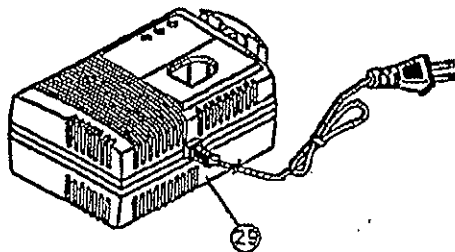
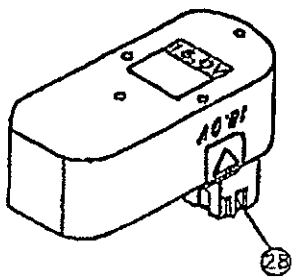
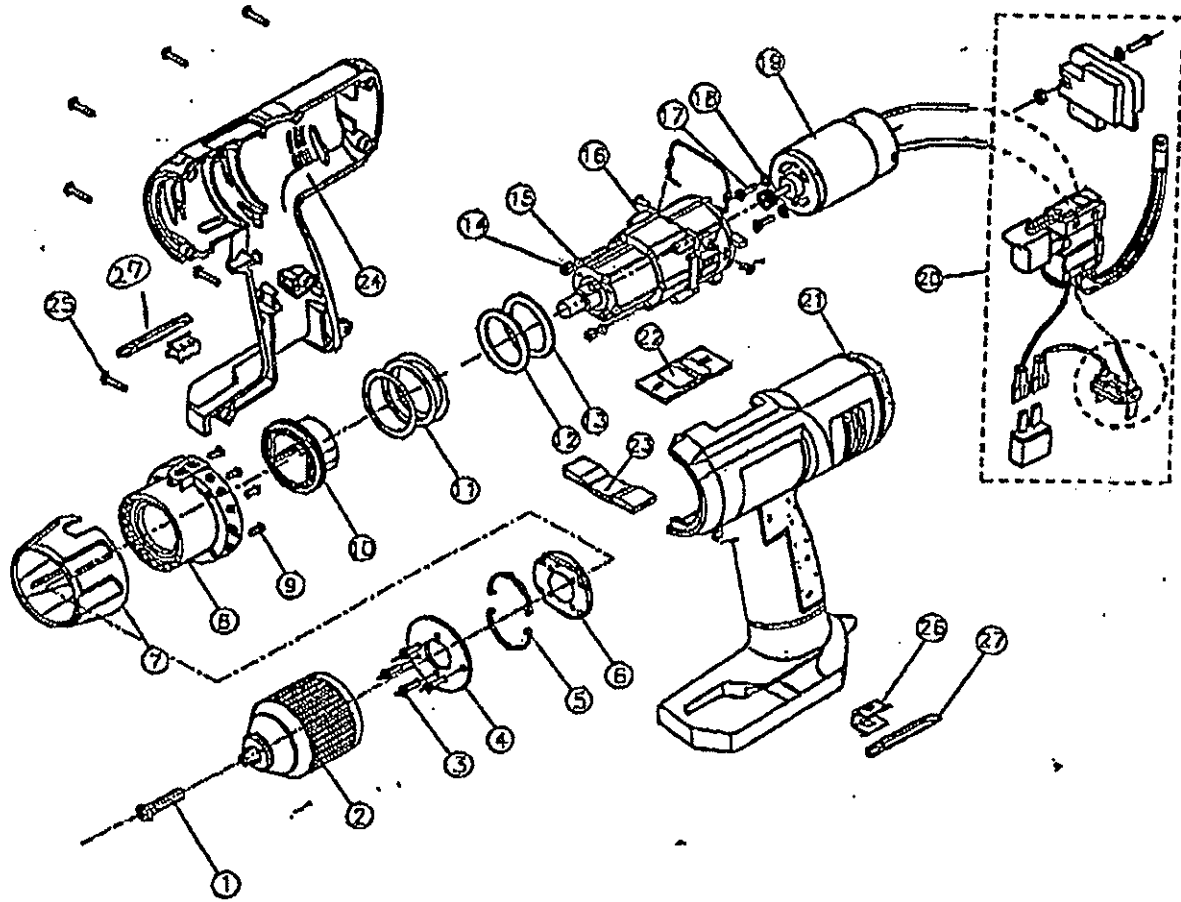


# 18V JOBSITE DRILL

## JS10531K2

R10531



# PARTS LIST FOR AFTER SALES SERVICE

## JS10531K2

REF	PART NO.	DESCRIPTION	QTY	REF	PART NO.	DESCRIPTION	QTY
1	1130049	SCREW M5X0.8X26MM	1	STANDARD ACCESSORIES			
2	981787001	CHUCK 1/2"	1		981792001	RATING LABEL	1
3	1130302	SCREW M3X14	4		981793001	CARRYING CASE	1
4	4900094	MOUNTING PLATE	1		972000614	OPERATOR'S MANUAL	1
5	981762001	STAMPING, SPRING PLATE	2				
6	981763001	SPRING HOLDER	1				
7	981764001	CLUTCH CAP CASTING	1				
8	981765001	CLUTCH CAP INNER	1				
9	981766001	ST SCREW(PH M2.6X8MM)	4				
10	4900097	PLASTIC SLEEVE	1				
11	4180027	TORQUE SPRING	1				
12	981767001	WASHER (.3MM)	1				
13	981768001	WASHER (1.2MM)	1				
14	981891001	PIN 0 5X5MM	6				
15	1290002	BALL (5.0MM)	6				
16	981789001	2 SPEED GEAR BOX <sup>981788001</sup>	1				
17	981770001	M SCREW (PH M4X10MM)	2				
18	1900015	SPRING WASHER	2				
19	981789001	MOTOR ASSY	1				
20	981790001	SWITCH ASSY	1				
21	981791001	HOUSING SET	1				
22	981774001	HOSING LEVER, PLASTIC	1				
23	981775001	F/R PUSH BUTON, PLASTIC	1				
25	981776001	ST SCREW(M3.5X14MM)	11				
26	981777001	STAMPING	2				
27-1	4240014	DBL BIT #2 AND #6	1				
27-2	4240015	DBL BIT #3 AND #7	1				
28	1400672	BATTERY PACK 12V	1				
29	1400677	UNIVERSAL CHARGER	1				
	981779001	BRAND LABEL	1				

### SERVICE NOTES: