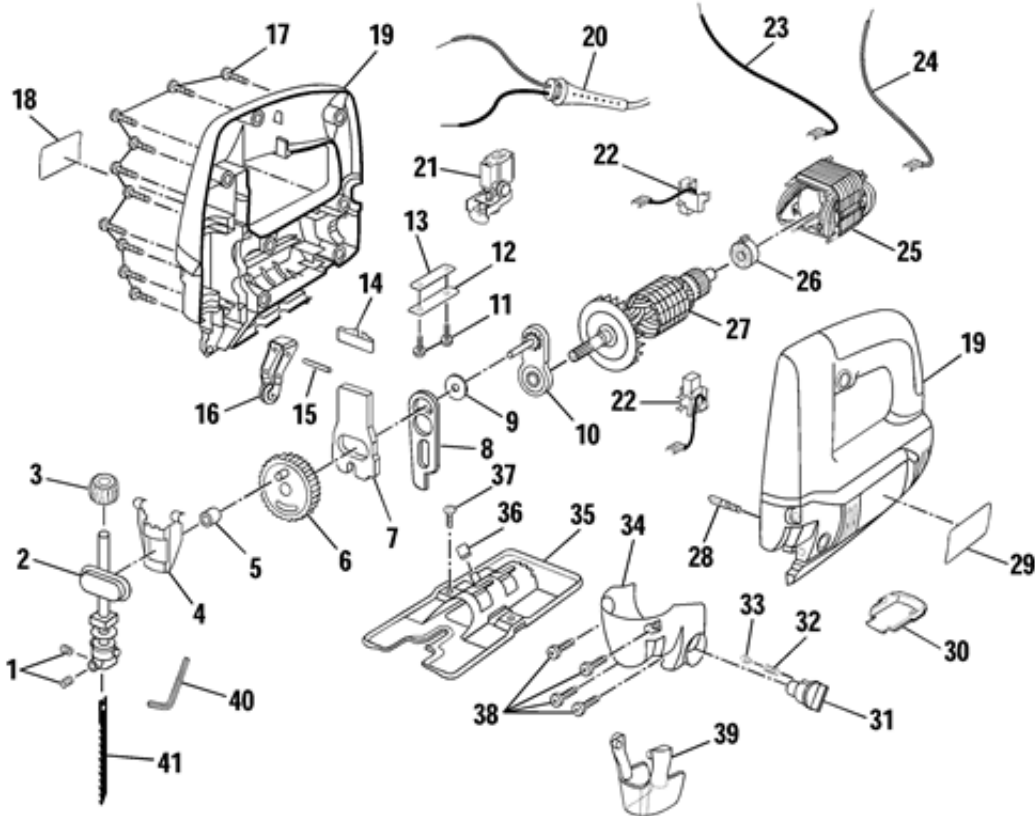


RYOBI JIG SAW – MODEL NUMBER JS048



WARNING:

Improper repair of a double insulated tool can result in damages to the double insulation system possibly causing electrical shock or electrocution. Any repairs requiring disassembly of your tool requires safety testing and should only be performed by an authorized service center. For the repair center nearest you call 1-800-525-2579 in the United States or 1-800-265-6778 in Canada.

Ref #	Part #	Description	Qty	Context Note	Foot Note
1	970740-002	SCREW (#1/4-28 X 1/4 in. HEX SOC. HD.)	2		
2	974301-001	SAW BAR ASSEMBLY	1		
3	975245-000	HEAT SINK W/BEARING	1		
4	974305-001	SLIDE GUIDE PLATE	1		
5	975276-000	BUSHING W/BEARING	1		
6	975233-000	GEAR ASSEMBLY	1		
7	974297-003	COUNTERWEIGHT	1		
8	974298-002	DRIVE PLATE	1		
9	706382-343	WASHER	1		
10	975232-000	BEARING BLOCK W/BEARINGS	1		
11	974321-002	SCREW (#10-24 X 1/2 in. BUTTON HD.)	2		
12	974309-001	CLAMP PLATE	1		
13	974631-002	STRIP NUT	1		
14	968507-002	SPRING	1		
15	623924-010	NEEDLE ROLLER	1		
16	975234-000	BLADE GUIDE ASSEMBLY	1		
17	643526-003	SCREW (#8-18 X 5/8 in. PAN HD. HI-LO)	10		
18	974314-001	DATA PLATE	1		
19	975230-000	HOUSING ASSEMBLY	1		
20	969274-017	CORD	1		
21	968303-099	SWITCH	1		
22	968304-078	BRUSH ASSEMBLY	2		
23	975028-002	BLACK LEAD	1		
24	975028-001	WHITE LEAD	1		
25	968307-127	FIELD ASSEMBLY	1		
26	611135-005	SLEEVE BEARING	1		
27	968306-135	ARMATURE ASSEMBLY	1		
28	974307-800	ADJUSTMENT ROD	1		
29	974316-001	LOGO PLATE	1		
30	974313-001	DOOR	1		
31	974306-001	ADJUSTMENT KNOB	1		
32	970627-001	SPRING	1		
33	970700-001	DETENT BUTTON	1		
34	974311-001	FRONT COVER	1		

35	974308-002	BASE ASSEMBLY	1
36	975083-001	TUBE	1
37	974321-001	SCREW (#10-24 X 3/8 in. BUTTON HD.)	1
38	968700-007	SCREW (#6-19 X 1/2 in. PAN HD.)	4
39	974312-001	CHIP SHIELD	1
40	820193-005	1/8 in. HEX ALLEN WRENCH	1
41		SAW BLADE	1
	972000-303	OWNER'S MANUAL 11-96	

Standard Hardware Item -
(Purchase locally)