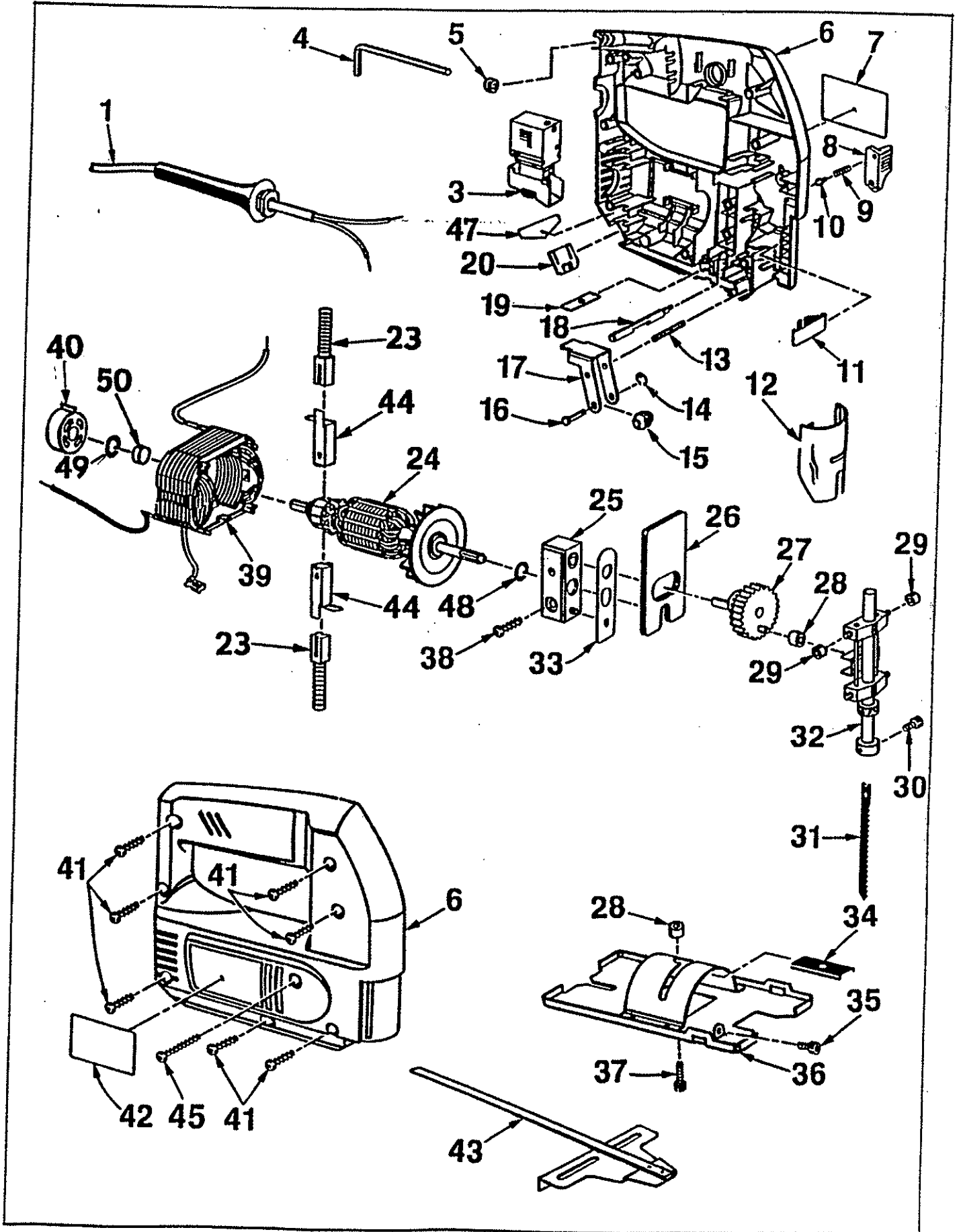


JIGSAW

JSO-45



**PARTS LIST FOR AFTER SALES SERVICE
MODEL JSO-45**

REF	PART NO.	DESCRIPTION	QTY	REF	PART NO.	DESCRIPTION	QTY
	969274-013	CORD	1	28	968933-002	BUSHING	2
3	968303-018	SWITCH	1	29	615130-001	BUSHING	2
4	820193-006	5-32" HEX ALLEN ARENCH	1	30	968525-001	SCREW	1
5	885883-028	GROMMET	1	31		* SAW BLADE	
6	970021-000	HOUSING ASSEMBLY	1	32	968910-001	SAW BAR ASSEMBLY	1
7	971258-001	LOGO PLATE	1	33	968511-002	DRIVE PLATE	1
8	969402-001	ADJUSTMENT KNOB	1	34	968530-002	CLAMP BAR	1
9	970627-001	SPRING	1	35	968526-001	SCREW	1
10	970700-001	DETENT BUTTON	1	36	970001-000	BASE ASSEMBLY	1
11	968507-001	SPRING	1	37	940021-007	SCREW	1
12	968533-001	CHIP SHIELD	1	38	622180-030	SCREW	1
13	623924-010	ROLLER	1	39	968307-021	FIELD COIL	1
14	623111-010	RETAINING RING	1	40	990133-002	SLEEVE BEARING	1
15	968504-002	BLADE GUIDE ROLLER	1	41	617966-009	SCREW	7
16	968505-002	ROLLER PIN	1	42	969487-001	DATA PLATE	1
17	968518-003	BLADE SUPPORT	1	43	606551-003	EDGE GUIDE	1
18	969401-800	ADJUSTMENT ROD	1	44	969424-001	BRUSH TUBE	2
19	999263-002	STRIP NUT	1	45	622180-031	SCREW	1
20	968594-001	DOOR	1	47	969476-001	DECAL	1
23	968304-010	BRUSH ASSEMBLY	2	48	706239-830	WASHER	1
24	968306-020	ARMATURE	1	49	706239-820	WASHER	1
25	970626-003	BEARING BLOCK W/ BEARINGS	1	50	713513-837	BUSHING	1
	968510-004	COUNTERWEIGHT	1				
	968308-006	GEAR ASSEMBLY	1	* SEE	CATALOG FOR ASSORTMENT		

SERVICE NOTES:

