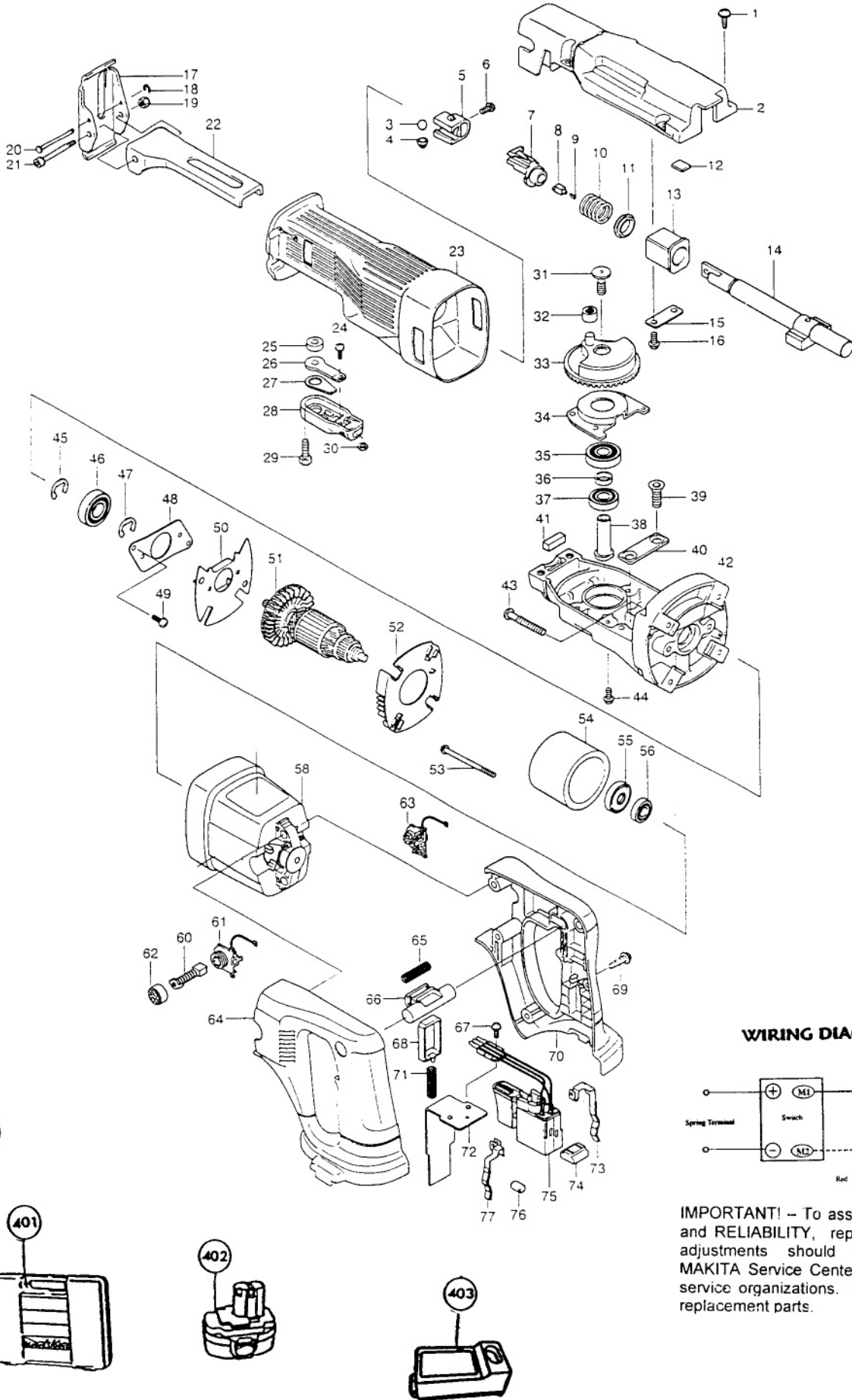


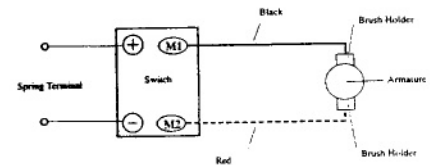


# CORDLESS RECIPRO SAW

MODEL JR180D  
MODEL JR180DWB



### WIRING DIAGRAM



**IMPORTANT!** – To assure product **SAFETY** and **RELIABILITY**, repairs, maintenance or adjustments should be performed by **MAKITA** Service Centers, or other qualified service organizations. Always use **MAKITA** replacement parts.

Fig.	Part No.	Qty. Used	Description	Fig.	Part No.	Qty. Used	Description
1	911228-4	4	PAN HEAD SCREW M5X18	43	266012-5	4	TAPPING SCREW 5X35
2	151627-0	1	GEAR HOUSING COVER CPL.	44	911601-8	3	PAN HEAD SCREW M5X8
3	216002-8	1	STEEL BALL 4.8	45	961016-9	1	STOP RING E-10
4	256454-1	1	PIN 5.5-6	46	211131-2	1	BALL BEARING 6001DDW
5	310088-5	1	CLAMP	47	961016-9	1	STOP RING E-10
6	266236-3	1	HEX. SOCKET HEAD BOLT M5x8	48	285697-8	1	BEARING RETAINER B
7	162215-8	1	PUSH BUTTON	49	911516-9	2	PAN HEAD SCREW M4X12
8	323916-5	1	PUSH PIN	50	416960-0	1	FAN GUIDE
9	233018-8	1	COMPRESSION SPRING 3	51	519051-7	1	ARMATURE ASS'Y 18V (INCL. FIG. 55, 56)
10	233247-3	1	COMPRESSION SPRING 16	52	416959-5	1	BAFFLE PLATE
11	257226-7	1	RING 13	53	266209-6	2	TAPPING SCREW 4X60
12	443070-0	2	PLATE 12X16	54	632828-4	1	YOKE UNIT
13	214169-6	2	PLANE BEARING 14	55	681652-2	1	INSULATION WASHER
14	168328-3	1	SLIDER	56	210017-7	1	BALL BEARING 607DDW
15	341462-6	2	PLATE	58	416957-9	1	MOTOR HOUSING
16	911225-0	4	PAN HEAD SCREW M5X16	60	191970-5	1	CARBON BRUSH CB-429
17	344801-9	1	SHOE PLATE	61	643949-7	1	BRUSH HOLDER R
18	961017-7	1	STOP RING E-3	62	643941-3	2	HOLDER CAP
19	252103-8	1	HEX. LOCK NUT M5-8	63	643950-2	1	BRUSH HOLDER L
20	268044-8	1	PIN 4	64	183141-8	1	HANDLE SET (INCL. FIG. 70)
21	922911-8	1	HEX SOCKET HEAD BOLT 5x50	65	231469-9	1	COMPRESSION SPRING 4
22	344813-2	1	SHOE SUPPORTER	66	416958-7	1	LOCK-OFF BUTTON
23	421693-4	1	INSULATION COVER	67	911006-2	1	PAN HEAD SCREW M3X8
24	911114-9	1	PAN HEAD SCREW M4X10	68	416976-5	1	STOPPER
25	257558-2	1	SLEEVE 9	69	265995-6	6	TAPPING SCREW 4X18
26	344732-2	1	INNER PLATE	70	183141-8	1	HANDLE SET (INCL. FIG. 64)
27	344733-0	1	LOCK PLATE	71	231469-9	1	COMPRESSION SPRING 4
28	272240-2	1	LEVER 60	72	689090-2	1	HEAT SINK
29	921442-4	1	HEX. BOLT M8X25	73	654195-7	1	SPRING TERMINAL (+)
30	931102-0	1	HEX. NUT M4	74	687085-9	1	HOLDER
31	266220-8	1	HEX. SOCKET HEAD BOLT 6x15	75	651979-4	1	SWITCH
32	212001-8	1	NEEDLE BEARING 708	76	263002-9	2	RUBBER PIN 4
33	153267-0	1	GEAR COMPLETE	77	654196-5	1	SPRING TERMINAL (-)
34	285696-0	1	BEARING RETAINER A	<b>ACCESSORIES</b>			
35	211061-7	1	BALL BEARING 6900LLB	400	414938-7	1	BATTERY COVER
36	257146-5	1	RING 10	401	824565-6	1	PLASTIC TOOL CASE
37	210057-5	1	BALL BEARING 6900LLB	402	192829-9	1	BATTERY 1833
38	323887-6	1	GEAR SHAFT	403	DC1801	1	BATTERY CHARGER DC1801
39	251969-3	2	HEX. SOCKET HEAD BOLT 5x12				
40	344795-8	1	PLATE C				
41	443107-3	1	FELT 8X24				
42	317229-4	1	GEAR HOUSING				