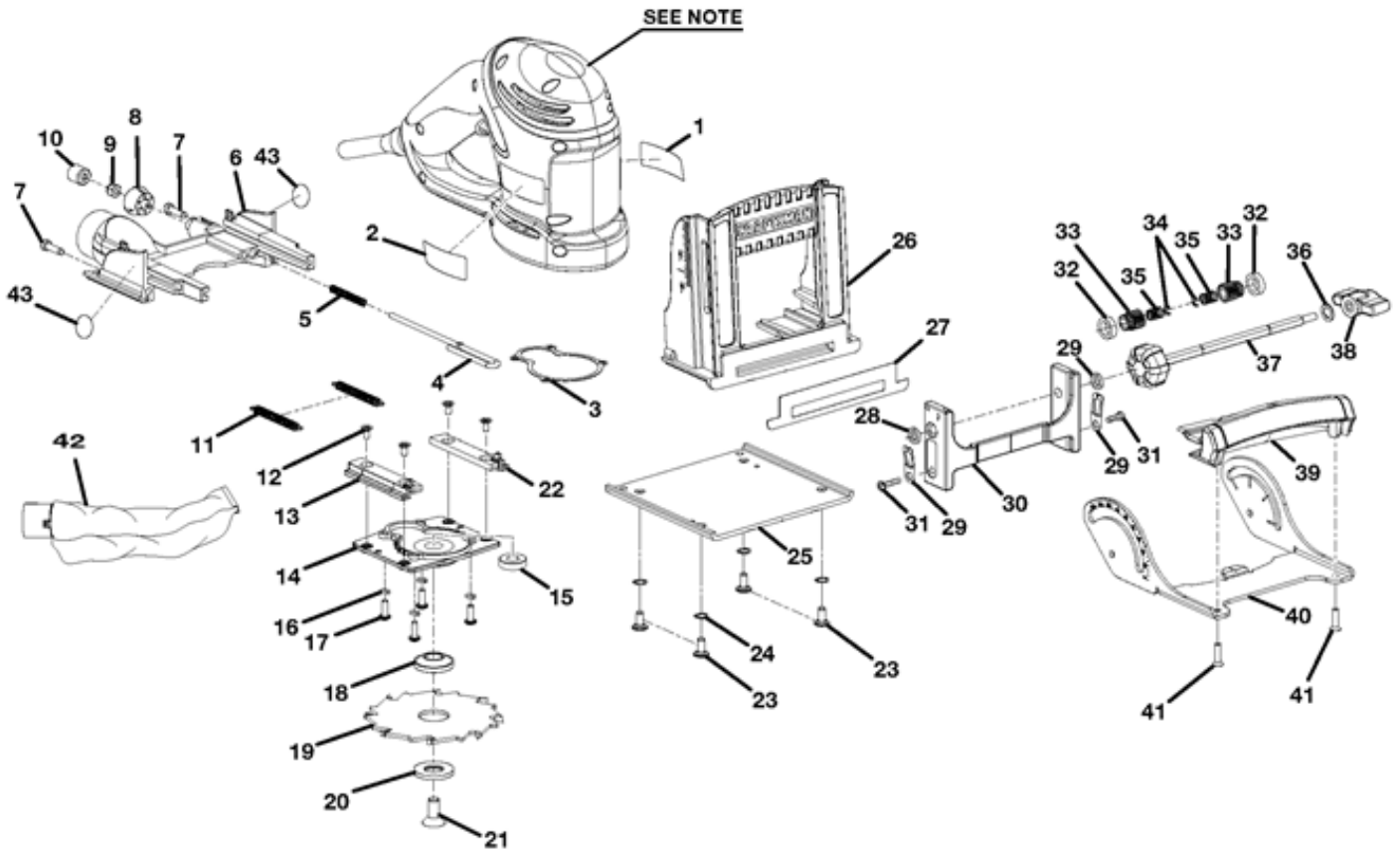


RYOBI BISCUIT JOINER - MODEL NUMBER JM82K



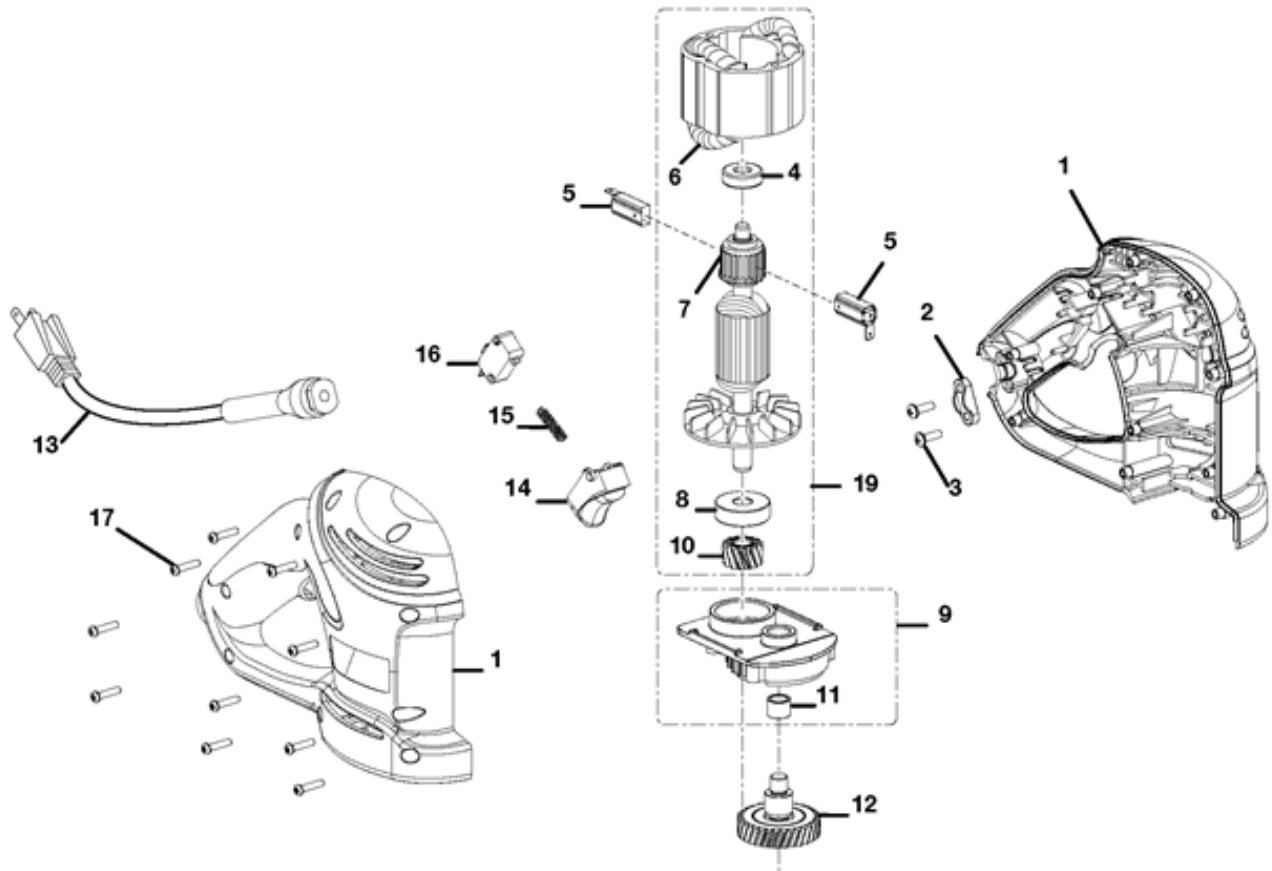
Note: The assembly shown represents an important part of the double insulated system. To avoid the possibility of alteration or damage to the System, service should be performed by your nearest Sears repair center. Contact your nearest Sears retail store for service center information.

Ref #	Part #	Description	Qty	Context Note	Foot Note
1	940304063	Logo Label	1		
2	940301021	Data Label	1		
3	900501001	Oil Seal	1		
4	630070001	Adjustment Rod	1		
5	690206001	Compression Spring	1		
6	640852002	Rear Base	1		
7	660328001	Screw (10-24 x 3/4 in., Fil. Hd.)	2		
8	342213001	Depth Adjustment Knob	1		
9	660106002	Lock Nut (8-32)	1		
10	690157001	Locking Knob	1		
11	690215001	Tension Spring	2		
12	660213009	Screw (M4 x 8 mm)	4		
13	512093001	Track (L)	1		
14	200294002	Bearing Plate Assembly	1	(Incl. Key 15)	
15	680894001	Ball Bearing (CW#6001RS)	1		
16	6703001	Lock Washer	4		
17	660212018	Screw (M4 x 16 mm, Pan Hd.)	4		
18	690148001	Blade Washer	1		
19	671289002	Blade	1		
20	630057002	Blade Lock Washer	1		
21	660326001	Screw (5/16-18 x 3/4 In., Flat Hd.)	1		
22	512265001	Track (R)	1		
23	660569001	Screw (M5 x 12 mm, Flat Hd.)	4		
24	690903001	Wavy Washer	4		
25	631152001	Base	1		
26	640851004	Faceplate	1		
27	900949001	Nonskid Surface	1		
28	512338001	Washer	2		
29	631168001	Spring Plate	2		
30	640853004	Height Frame	1		
31	660409001	Screw	2		
32	570255001	Washer	2		
33	610401001	Height Gear	2		
34	631225001	C-Ring	2		
35	671391001	Compression Spring	2		
36	512544001	Plastic Washer	1		
37	301147002	Height Adjustment Rod Assembly	1		

38	512210001	Fixed Knob	1
39	342217001	Fence Handle	1
40	631151002	Adjustable Fence	1
41	660279006	Screw (M4 x 16 mm, Flat Hd.)	2
42	300027046	Dust Bag Assembly	1
43	940932013	Warning Label	2

RYOBI BISCUIT JOINER - MODEL NUMBER JM82K

SECTION "A"



SECTION "A" REPRESENTS AN IMPORTANT PART OF THE DOUBLE INSULATED SYSTEM OF THIS TOOL. ANY REPAIR TO THIS TOOL REQUIRES DIELECTRIC TESTING TO INSURE CUSTOMER SAFETY AND TO COMPLY WITH COMPANY REQUIREMENTS.

Ref #	Part #	Description	Qty	Context Note	Foot Note
1	200202308	Housing Assembly	1		
2	5950101	Cord Clamp	1		
3	660208052	Screw (M4 x 16 mm, Pan Hd.)	2		
4	671004001	Ball Bearing (SL#6200 2RS)	1		
5	290069051	Brush Assembly	2		
6	740654002	Field Assembly (V Motor)	1		
7	200216031	Armature w/Bearings	1	(Incl. Key Nos. 4, 8 and 10) (V Motor)	To Be Used After Date Code CS0841 Only
8	681266002	Ball Bearing (CW#6200RS)	1		
9	200281005	Gear Case Assembly	1	(Incl. Key No. 11)	To Be Used For Motor Replacement Prior To Date Code CS0841
10	610266001	Pinion	1		
11	690147001	Sleeve Bearing	1		
12	200287003	Gear Assembly	1		
13	290086018	Power Cord Assembly	1		
14	512215001	Trigger	1		
15	690217001	Spring	1		
16	760307001	Switch	1		
17	660206001	Screw (M3.5 x 18 mm, Pan Hd.)	10		
18	940299505	Cord Label	1		
19	200216030	Motor Assembly	1	(Incl. Key Nos. 6 and 7) (V Motor)	To Be Used For Motor Replacement Prior To Date Code CS0841
	300912111	Carrying Case	1	Not Shown	
	940299505	Biscuit Accessory Kit, #10	1	Not Shown	
	983000493	Operator's Manual (960223252)		Not Shown	