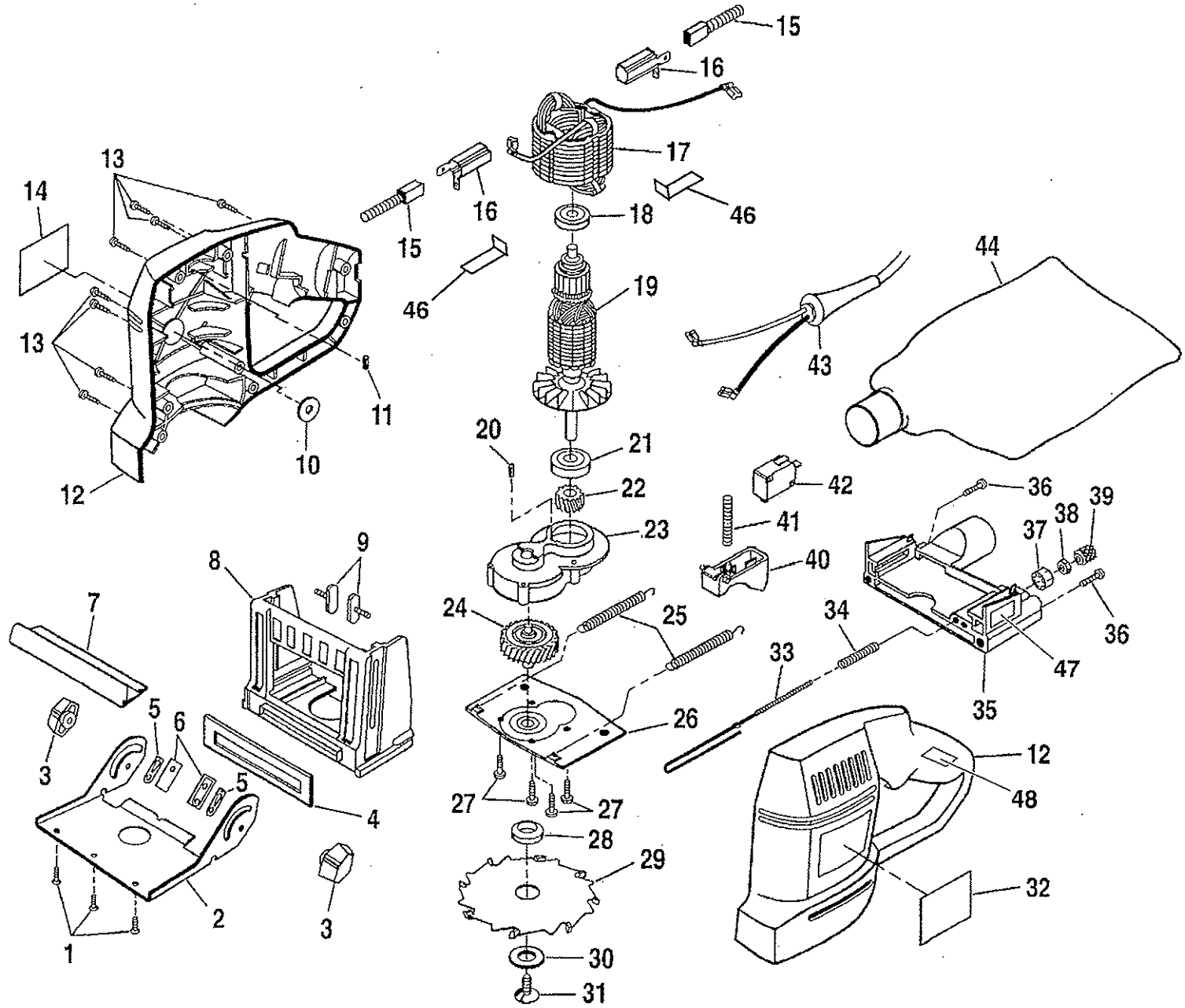


RYOBI PLATE JOINER – MODEL NUMBER JM81-1



RYOBI PLATE JOINER – MODEL NUMBER JM81-1

The model number will be found on a plate attached to the motor housing. Always mention the model number in all correspondence regarding your **PLATE JOINER** or when ordering repair parts.

PARTS LIST

| KEY NO. | PART NUMBER | DESCRIPTION | QTY. | KEY NO. | PART NUMBER | DESCRIPTION | QTY. |
|---------|-------------|--|------|---------|-------------|-------------------------------------|------|
| 1 | 640146-004 | SCREW (#8-18 X 1/2 in. FIL. HD. T.F.) | 3 | 26 | 974465-001 | BEARING PLATE W/BEARING | 1 |
| 2 | 663706-002 | ADJUSTABLE FENCE | 1 | 27 | 968703-007 | SCREW (#8-32 X 1/2 in. PAN HD.) | 4 |
| 3 | 663716-002 | KNOB | 2 | 28 | 973604-001 | BLADE WASHER | 1 |
| 4 | 663707-001 | FRONT BASE PAD | 1 | 29 | 663715-001 | BLADE | 1 |
| 5 | 663710-002 | SPRING | 2 | 30 | 973606-003 | BLADE LOCK WASHER | 1 |
| 6 | 663708-001 | FENCE SLIDE GUIDE | 2 | 31 | 973605-001 | SCREW (#5/16-18 X 3/4 in. FIL. HD.) | 1 |
| 7 | 663228-002 | PALM REST | 1 | 32 | 982758-001 | LOGO PLATE | 1 |
| 8 | 663704-001 | FRONT BASE | 1 | 33 | 973607-001 | ADJUSTMENT ROD | 1 |
| 9 | 973990-001 | BOLT (#1/4-20) | 2 | 34 | 663703-001 | COMPRESSION SPRING | 1 |
| 10 | 623552-003 | STATOR PAD | 1 | 35 | 663705-001 | REAR BASE | 1 |
| 11 | 623019-004 | RUBBER PLUG | 1 | 36 | 623275-003 | SCREW (#10-24 X 3/4 in. FIL. HD.) | 2 |
| 12 | 974463-000 | HOUSING ASSEMBLY | 1 | 37 | 971497-003 | DEPTH ADJUSTMENT KNOB | 1 |
| 13 | 610120-005 | SCREW (#6-10 X 3/4 in. PAN HD.) | 8 | 38 | 703477-006 | JAM NUT (#8-32) | 1 |
| 14 | 983181-001 | DATA PLATE | 1 | 39 | 971498-001 | KNURLED ADJUSTMENT KNOB | 1 |
| 15 | 968304-047 | BRUSH ASSEMBLY | 2 | 40 | 663702-001 | SWITCH TRIGGER | 1 |
| 16 | 611967-003 | BRUSH TUBE | 2 | 41 | 974474-001 | COMPRESSION SPRING | 1 |
| 17 | 983444-001 | FIELD | 1 | 42 | 968303-089 | SWITCH ASSEMBLY | 1 |
| 18 | 968305-010 | BALL BEARING (NTN#608ZZ/1E) | 1 | 43 | 970777-021 | CORD | 1 |
| 19 | 973769-002 | ARMATURE (INC. KEY NOS. 18, 21, AND 22) | 1 | 44 | 663717-002 | DUST BAG ASSEMBLY | 1 |
| 20 | 623019-002 | RUBBER PLUG | 1 | 45 | 973602-001 | CARRYING CASE (NOT SHOWN) | 1 |
| 21 | 621585-002 | BALL BEARING (NTN#6200LLBC3/1E) | 1 | 46 | 984401-001 | INSULATOR | 1 |
| 22 | 981726-001 | GEAR | 1 | 47 | 983331-001 | WARNING LABEL | 1 |
| 23 | 968308-025 | GEAR HOUSING W/BEARING | 1 | 48 | 974254-001 | SECURITY LABEL | 1 |
| 24 | 968308-027 | GEAR ASSEMBLY | 1 | | 972000-983 | OPERATOR'S MANUAL | |
| 25 | 663711-001 | TENSION SPRING | 2 | | 972000-983R | REPAIR SHEET | |

12-01-03



WARNING:

Improper repair of a double insulated tool can result in damages to the double insulation system possibly causing electrical shock or electrocution. Any repairs requiring disassembly of your tool requires safety testing and should only be performed by a Ryobi Authorized Service Center. For the repair center nearest you call 1-800-525-2579.