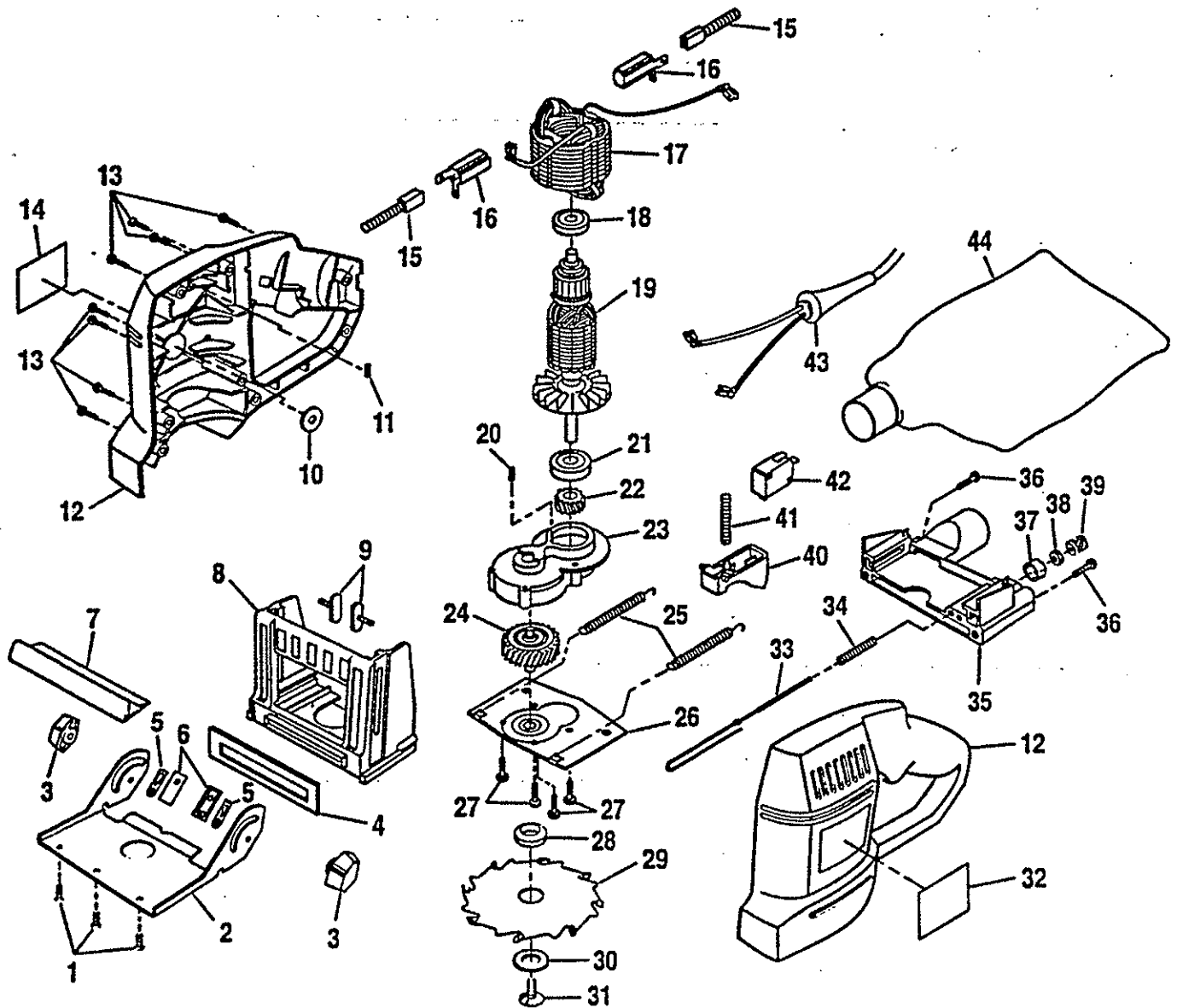


BISCUIT JOINER

JM80K



PARTS LIST FOR AFTER SALES SERVICE MODEL JM80(K)

REF	PART NO.	DESCRIPTION	QTY	REF	PART NO.	DESCRIPTION	QTY
1	640146004	SCREW (#8-18 x 1/2in.)	3	34	663703001	COMPRESSION SPRING	1
2	663706002	ADJUSTABLE FENCE	1	35	663705001	REAR BASE	1
3	663716001	KNOB	2	36	623275003	SCREW #10-24X 3/4" FIL. HD.	2
4	663707001	FRONT BASE PAD	1	37	971497002	DEPT. ADJUSTMENT KNOB	1
5	663710002	SPRING	2	38	703477006	JAM NUT (#8-32)	1
6	663708001	FENCE SLIDE GUIDE	2	39	971498001	KNURLED ADJUSTMENT KNOB	1
7	663228001	PALM REST	1	40	663702001	SWITCH TRIGER	1
8	663704001	FRONT BASE	1	41	998196001	COMPRESSION SPRING	1
9	973990001	BOLT	2	42	968303089	SWITCH ASSEMBLY	1
10	623552003	STATOR PAD	1	43	970105019	CORD	1
11	623019004	RUBBER PLUG	1	44	663717001	DUST BAG ASSEMBLY	1
12	974463000	HOUSING ASSEMBLY	1	45	973602001	CARRYING CASE (NOT SHOWN)	1
13	610120005	SCREW (6-10 X 3/4 IN PAN HD)	8	46	972000239	OWNER'S MANUAL	1
14	663713001	DATA PLATE	1	47			
15	968304047	BRUSH ASEMBLY	2	48			
16	611967003	BRUSH TUBE	2	49			
17	968307111	FIELD	1	50			
18	622274001	BALL BEARING (NTN608ZZ/1E)	1	51			
19	968306115	ARMATURE (INC. KEY NOS.18)	1	52			
20	623019002	RUBBER PLUG	1	53			
21	969235005	BALL BEARING (NTN#6200 LBZC/1E)	1	54			
22	971488002	GEAR	1	56			
	968308025	GEAR HOUSING W/BEARING	1	57			
24	968308027	GEAR ASSEMBLY	1	58			
25	663711001	TENSION SPRING	2	59			
26	974465001	BEARING PLATE W/BEARING	1	60			
27	968703007	SCREW (8-32 X1/2 IN PAN HD)	4	61			
28	973604001	BLADE WASHER	1	62			
29	663715001	BLADE	1	63			
30	973606003	BLADE LOCK WASHER	1	64			
31	973605001	SCREW #5/16-18 X 3/4FIL HD.	1	65			
32	663712001	LOGO PLATE	1	66			
33	973607001	ADJUSTMENT ROD	1	67			

SERVICE NOTES:

