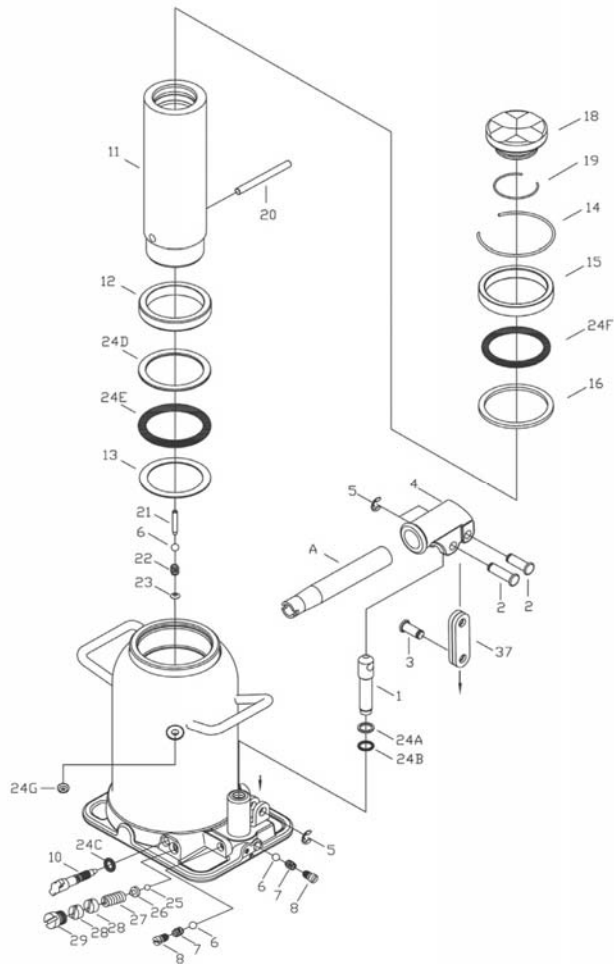




JHJ-060

Hydraulic Bottle Jack JHJ-060 (stock no. 453360)



- JHJ060-RK.....Repair Kit*
- JHJ060-A.....Handle
- JHJ060-01.....Pump Plunger
- JHJ060-02.....Pump Plunger Pin
- JHJ060-03.....Pump Stay Pin
- JHJ060-04.....Handle Socket Assembly
- JHJ060-05.....Snap Ring
- JHJ060-06.....Valve Ball (Ref SB-1/4)
- JHJ060-07.....Valve Spring (Ref JHJ001-11)
- JHJ060-08.....Valve Plug (Ref JHJ005-12)
- JHJ060-10.....Release Assy Old (Ref JHJ001-15)
- JHJ060-10A.....Release Assy New (JHJ001-15A)
- JHJ060-11.....Ram
- JHJ060-12.....Ram Packing Seat
- JHJ060-13.....Ram Packing Stopper
- JHJ060-14.....Snap Ring
- JHJ060-15.....Stuffing Ring
- JHJ060-16.....Stopper Ring
- JHJ060-18.....Supporting Plate
- JHJ060-19.....Snap Ring
- JHJ060-20.....Horizontal Pin
- JHJ060-21.....Vertical Pin
- JHJ060-22.....Ram Spring
- JHJ060-23.....Ram Spring Stopper Ring
- JHJ060-24A.....Pump Backup Ring
- JHJ060-24B.....Pump Packing
- JHJ060-24C.....Release Packing
- JHJ060-24D.....Ram Backup Ring
- JHJ060-24E.....Ram Packing
- JHJ060-24F.....Cylinder Packing
- JHJ060-24G.....Oil Plug
- JHJ060-25.....Safety Valve Ball (Ref SB-3/16)
- JHJ060-26.....Safety Valve Receiver
- JHJ060-27.....Safety Valve Spring
- JHJ060-28.....Safety Valve Adjust Screw
- JHJ060-29.....Safety Valve Plug
- JHJ060-37.....Pump Stay

* NOTE: Repair kit includes parts 24A thru 24G.

	JHJ-060
Rated capacity	60 ton
Minimum height (in.)	12
Piston height (in.)	6-3/4
Head screw (h/in.)	--
Maximum height (in.)	8-5/8
Base size (LxW/in.)	9-1/4 x 7-3/8
Weight (lbs)	82

Part No. M-453360
Revision G1 04/2014

JET
a Division of JPW Industries, Inc.
427 New Sanford Rd.
LaVergne, Tennessee 37086
Ph.: 800-274-6848
www.jettools.com