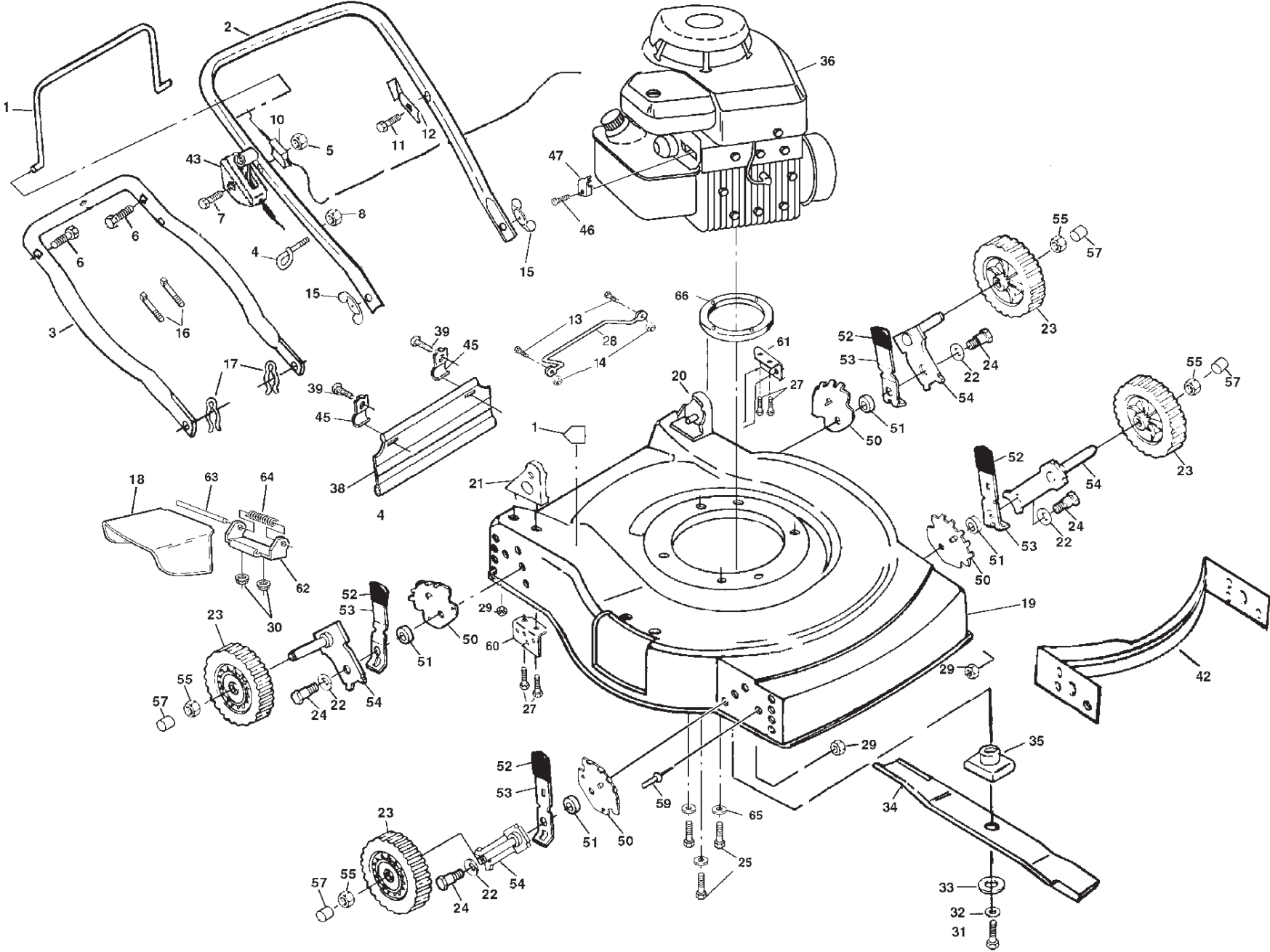


# ROTARY LAWN MOWER - - MODEL NUMBER JET50 (JET50P) - PRODUCT NUMBER 954 17 00-32



# ROTARY LAWN MOWER - - MODEL NUMBER JET50 (JET50P) - PRODUCT NUMBER 954 17 00-32

KEY NO.	PART NO.	DESCRIPTION
1	<b>532 13 16-96</b>	Control Bar
2	<b>532 16 87-30</b>	Upper Handle
3	<b>532 15 34-06</b>	Lower Handle
4	<b>532 17 95-85</b>	Rope Guide
5	532 06 36-01	Locknut 1/4-20
6	532 13 19-59	Handle Bolt 5/16-18 x 1-3/4
7	<b>532 14 49-29</b>	Hex Washer Head Screw 1/4-20 x 2.12
8	<b>532 13 20-04</b>	Nut, Hex 1/4-20
10	532 13 08-61	Engine Zone Control Cable
11	532 75 00-97	Hex Washer Head Screw #10-24 x 1/2
12	532 12 51-62	Up-Stop Bracket
13	532 08 58-25	Screw
14	532 06 91-80	Nut
15	532 12 86-38	Steel Wingnut 5/16-18
16	532 06 64-26	Wire Tie
17	532 05 17-93	Hairpin Cotter
18	532 75 01-49	Discharge Guard
19	<b>532 18 08-61</b>	Housing Assembly Kit (Includes #42)
20	532 17 09-77	Handle Bracket Assembly (Left)
21	532 17 09-75	Handle Bracket Assembly (Right)
22	532 06 23-35	Belleville Washer
23	532 80 00-60	Wheel & Tire Assembly
24	532 14 27-48	Shoulder Bolt
25	532 85 09-99	Hex Head Thread Rolling Screw 3/8-16 x 2
27	532 14 97-41	Thread Cutting Screw 5/16-18 x 3/4
28	532 15 41-47	Foot Guard
29	532 75 15-92	Locknut 3/8-16
30	532 06 36-01	Nut 1/4-20
31	532 85 10-84	Hex Head Screw 3/8-24 x 1-3/8 Gr. 8
32	532 85 02-63	Helical Lockwasher 3/8
33	532 85 10-74	Hardened Washer
34	532 85 09-72	20" Blade

KEY NO.	PART NO.	DESCRIPTION
35	532 85 09-77	Blade Adapter
36	- - -	* Engine, Briggs & Stratton, Model No. 9D902
38	532 14 05-43	Rear Skirt
39	532 75 00-97	Hex Washer Head Screw #10-24 x .50
41	532 14 54-94	Decal, Danger
42	532 14 60-26	Front Baffle
43	<b>532 70 04-17</b>	Throttle Control
45	532 12 52-07	Skirt Brackets
46	532 08 38-16	Screw #10
47	532 11 11-90	* Clamp
50	532 13 99-01	Wheel Adjusting Bracket
51	532 14 66-30	Spacer
52	532 08 78-77	Selector Knob
53	532 14 17-30	Selector Spring
54	532 14 98-57	Axle Arm Assembly
55	532 08 39-23	Locknut
57	532 80 00-90	Hubcap
59	532 12 84-15	Pop Rivet
60	<b>532 18 03-20</b>	Handle Support Bracket (Right)
61	<b>532 18 03-19</b>	Handle Support Bracket (Left)
62	532 08 75-93	Housing Bracket
63	532 14 72-86	Hinge Rod
64	532 08 75-89	Torsion Spring
65	532 05 39-98	Washer
66	532 70 13-13	Engine Spacer Ring
--	532 12 50-46	Rear Baffle (Not Shown)
--	532 16 30-73	Operator's Manual (Sandinavian)
--	532 16 30-74	Operator's Manual (European)

**NOTE:** All component dimensions given in U.S. inches.  
1 inch = 25.4 mm

\* Order parts from engine manufacturer