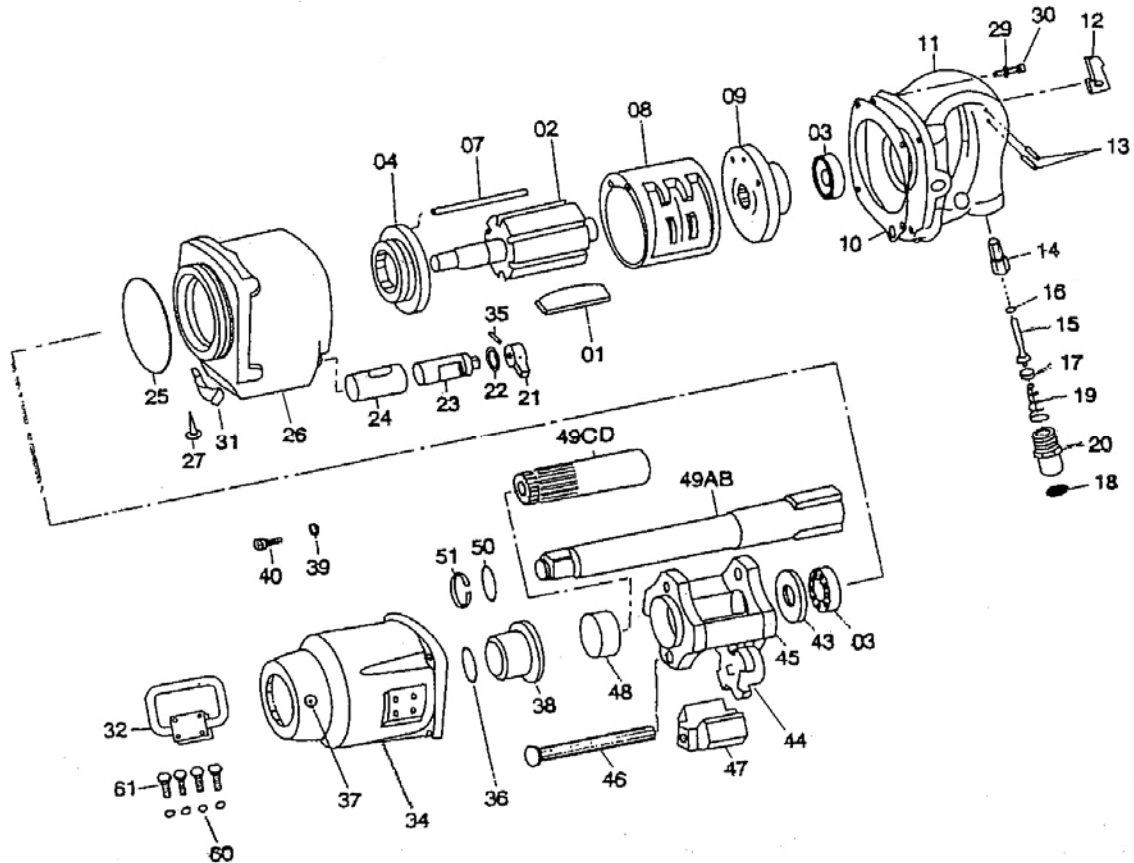




Parts List for JET-1010 Impact Wrench



(Parts list on reverse side)

Specifications

Model Number.....	J-1010
Stock Number.....	505941
Square Drive (in.).....	1
Bolt Capacity (in.).....	1-1/4
Anvil Retainer Type.....	Ring/Hole
Maximum Torque (ft./lbs)	1250
Free Speed (RPM).....	4100
Air Pressure (PSI).....	90
Air Consumption (CFM)	35
Air Inlet (NPT/in.)	1/2
Air Hose (ID/in.).....	1/2
Vibration Value (m/s ²)	8
Overall Length (in.).....	16-3/16
Weight (lbs.).....	33

JET

427 New Sanford Road
 La Vergne, Tennessee 37086
 Ph.: 800-274-6848
 www.jettools.com

Part No. M-505941

Revision B1 06/2014

Copyright © 2014 JET, a Division of JPW Industries, Inc.

Specifications were current at time of publication, but because of our policy of continuous improvement, JET, reserves the right to change specifications at any time and without prior notice, without incurring obligations.

Parts list for J-1010 Impact Wrench

Index	Part No.	Description	Qty.
01	137109004	Rotor Vane	4
02	J1010-02	Rotor	1
03	J1010-03	Bearing Ref:BB-R16	1
04	J1010-04	Front End Plate	1
07	J1010-07	Liner Dowel Pin	1
08	J1010-08	Liner	1
09	J1010-09	Rear End Plate	1
10	J1010-10	Handle Gasket	1
11	J1010-11	Handle w/#14 Bushing	1
	J1010-CP	Grip Handle Assembly CP	1
12	J1010-12	Trigger	1
13	J1010-13	Trigger Pin	1
14	J1010-14	Throttle Valve Bushing	1
15	J1010-15	Throttle Valve	1
16	JET06-35	O-Ring P10	1
17	J1010-17	Throttle Valve O-Ring Ret	1
18	J1010-18	Air Strainer	1
19	J1010-19	Throttle Spring	1
20	J1010-20	Air Inlet	1
21	J1010-21	Reverse Valve Lever	1
22	J1010-22	Reverse Valve O-Ring	1
23	J1010-23	Reverse Valve	1
24	J1010-24	Reverse Valve Bushing	1
25	J1010-25	O-Ring	1
26	J1010-26	Motor Housing (New Style)	1
	J1010-26A	Motor Housing (Old Style)	1
27	J1010-27	Self-Tapping Screw	1
29	J1010-29	Handle Lock Washer	1
30	J1010-30	Handle Set Bolt	1

Index	Part No.	Description	Qty.
31	J1010-31	Exhaust Deflector (New Style)	1
	J1010-31A	Exhaust Deflector (Old Style)	1
32	J1010-32	Dead Handle (New Style)	1
	J1010-32A	Dead Handle (Old Style)	1
33	J1010-33	Dead Handle Bolt (Old Style)	1
34	J1010-34	Clutch Housing (New Style)	1
	J1010-34A	Clutch Housing (Old Style)	1
35	J1010-35	Spring Pin	1
36	J1010-36	O-Ring	1
37	J1010-37	Pipe Plug	1
38	J1010-38	Clutch Housing Bushing	1
39	J1010-39	Washer	1
40	J1010-40	Clutch Hsng Set Bolt (New St)	1
	J1010-40A	Clutch Hsng Set Bolt (Old St)	1
43	J1010-43	Bearing Spacer	1
44	J1010-44	Dog Cam	1
45	J1010-45	Dog Cage	1
46	J1010-46	Clutch Dog Pin	1
47	J1010-47	Clutch Dog	1
48	J1010-48	Cage Bushing	1
49A	J1010-49A	Anvil Shank S	1
49B	J1010-49B	Anvil Shank L	1
49C	J1010-49C	Anvil Shank Spline S	1
49D	J1010-49D	Anvil Shank Spline L	1
50	J1010-50	O-Ring	1
51	130803144	Socket Ret Ring	1
60	J1010-60	Washer M6	4
61	J1010-61	Dead Handle Bolt M6x15	4

Replacement Parts

To order parts or reach our service department, call 1-800-274-6848 Monday through Friday (see our website for business hours, www.jettools.com). Having the Model Number and Serial Number of your product available when you call will allow us to serve you quickly and accurately.