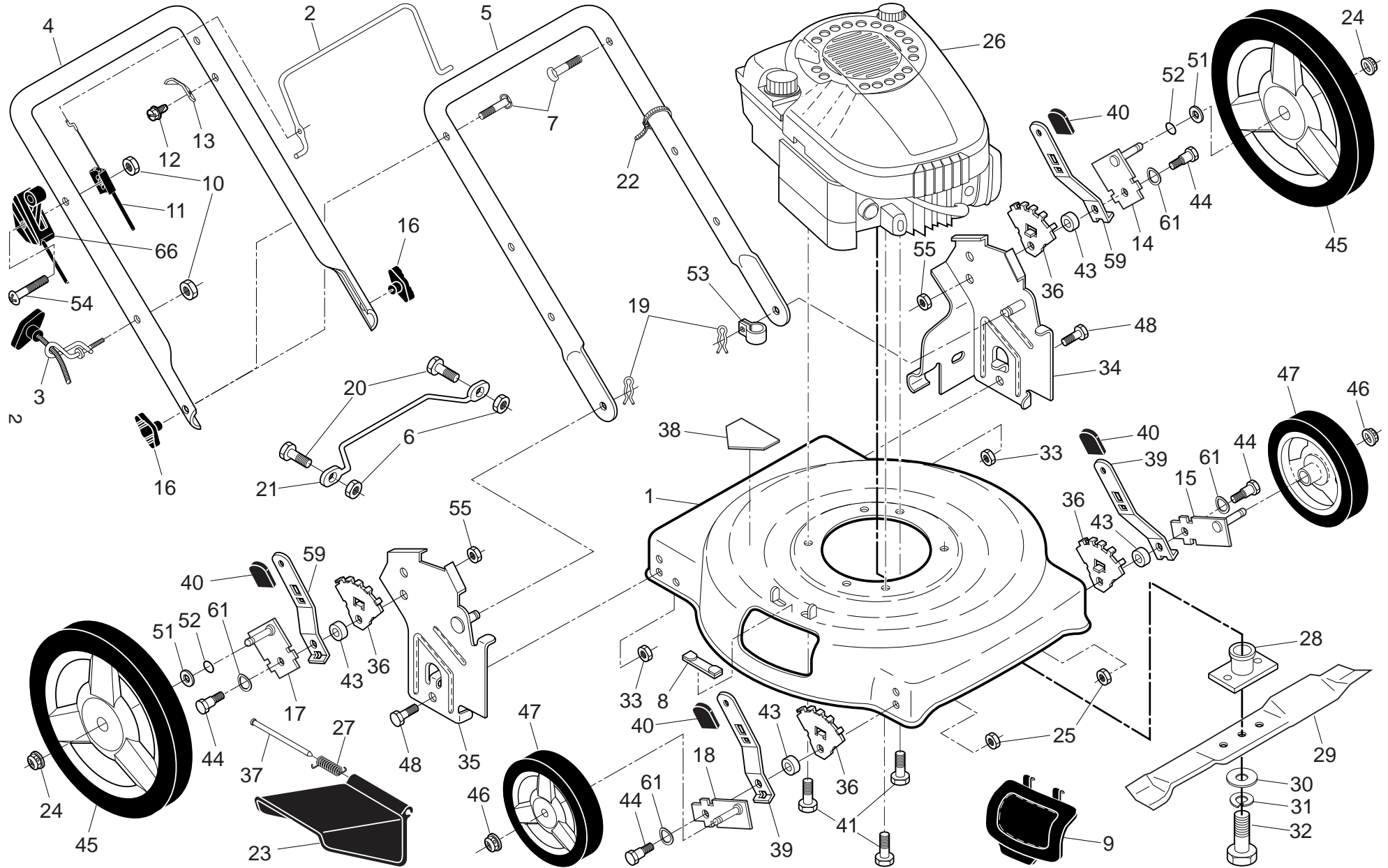


ROTARY LAWN MOWER - - MODEL NUMBER J 55L (96111002703) PRODUCT NUMBER 961 11 00-27



ROTARY LAWN MOWER - - MODEL NUMBER **J 55L** (96111002703) PRODUCT NUMBER 961 11 00-27

| KEY NO. | PART NO. | DESCRIPTION | KEY NO. | PART NO. | DESCRIPTION |
|---------|---------------------|---|---------|--------------|--|
| 1 | 532 41 90-69 | Lawn Mower Housing (Includes Key Number 38) | 29 | 532 19 93-79 | 22" Blade |
| 2 | 532 40 29-49 | Control Bar | 30 | 532 85 10-74 | Hardened Washer |
| 3 | 532 19 47-88 | Rope Guide | 31 | 532 85 02-63 | Helical Lockwasher 3/8 |
| 4 | 532 40 31-29 | Upper Handle | 32 | 532 85 10-84 | Hex Head Screw 3/8-24 x 1/4 Grade 8 |
| 5 | 532 17 41-10 | Lower Handle | 33 | 873 80 05-00 | Locknut, Hex 5/16-18 |
| 6 | 532 06 91-80 | Locknut, Hex 1/4-20 | 34 | 532 41 91-60 | Wheel Bracket, Support, LH |
| 7 | 532 19 15-74 | Handle Bolt 5/16-18 | 35 | 532 41 91-59 | Wheel Bracket, Support, RH |
| 8 | 532 16 16-22 | Clip, Closeout | 36 | 532 41 05-94 | Wheel Bracket, Adjuster |
| 9 | 532 16 08-30 | Plate, Mulcher | 37 | 532 16 08-33 | Hinge Rod |
| 10 | 532 13 20-04 | Nut, Hex | 38 | 532 18 21-66 | Danger Decal |
| 11 | 532 18 28-37 | Engine Zone Control Cable | 39 | 532 40 64-28 | Selector Spring, Front |
| 12 | 532 75 06-34 | Screw, Hex Head, Threaded, Rolled #10-24 x1/2 | 40 | 532 08 78-77 | Selector Knob |
| 13 | 532 12 51-62 | Up-Stop Bracket | 41 | 532 15 04-06 | Hex Head Thread Rolling Screw 3/8-16 x 1 |
| 14 | 532 41 06-00 | Axle Arm Assembly (Rear, LH) | 43 | 532 40 16-29 | Spacer |
| 15 | 532 40 66-89 | Axle Arm Assembly (Front, LH) | 44 | 532 40 16-38 | Shoulder Bolt |
| 16 | 532 19 19-38 | Handle Knob | 45 | 532 41 34-01 | Wheel & Tire Assembly, Rear 12" |
| 17 | 532 41 06-01 | Axle Arm Assembly (Rear, RH) | 46 | 532 40 91-48 | Locknut, Hex 5/16-18 |
| 18 | 532 40 66-90 | Axle Arm Assembly (Front, RH) | 47 | 532 41 31-83 | Wheel & Tire Assembly, Front 8" |
| 19 | 532 05 17-93 | Hairpin Cotter | 48 | 874 76 05-14 | Hex Head Bolt 5/16-18 x 7/8 |
| 20 | 871 19 10-12 | Hex Head Screw 1/4 | 51 | 532 08 83-48 | Washer, Flat |
| 21 | 532 43 19-95 | Footguard | 52 | 532 19 74-80 | O-Ring |
| 22 | 532 06 64-26 | Wire Tie | 53 | 532 19 79-91 | Clip, Cable |
| 23 | 532 16 08-31 | Discharge Guard | 54 | 532 18 33-65 | Screw |
| 24 | 532 40 91-49 | Washer | 55 | 532 75 11-53 | Nut, Hex |
| 25 | 532 42 65-89 | Nut, Hex | 59 | 532 41 05-95 | Selector Spring, Rear |
| 26 | - - - | Engine, Briggs & Stratton, Model Number 122T02-1158-B1 (Order parts from Briggs & Stratton) | 61 | 532 40 16-30 | Washer, Cylindrical |
| 27 | 532 40 85-85 | Torsion Spring | 66 | 532 42 06-11 | Throttle Control |
| 28 | 532 41 83-73 | Blade Adapter | -- | 532 18 21-91 | Warning Decal (not shown) |
| | | | -- | 532 41 90-64 | Operator's Manual, European |
| | | | -- | 532 41 90-66 | Operator's Manual, Scandinavian |
| | | | -- | 532 41 90-65 | Operator's Manual, East Bloc |
| | | | -- | 532 41 90-67 | Operator's Manual, Baltic |

NOTE: All component dimensions given in U.S. inches. 1 inch = 25.4 mm. **IMPORTANT:** Use only Original Equipment Manufacturer (O.E.M.) replacement parts. Failure to do so could be hazardous, damage your lawn mower and void your warranty.