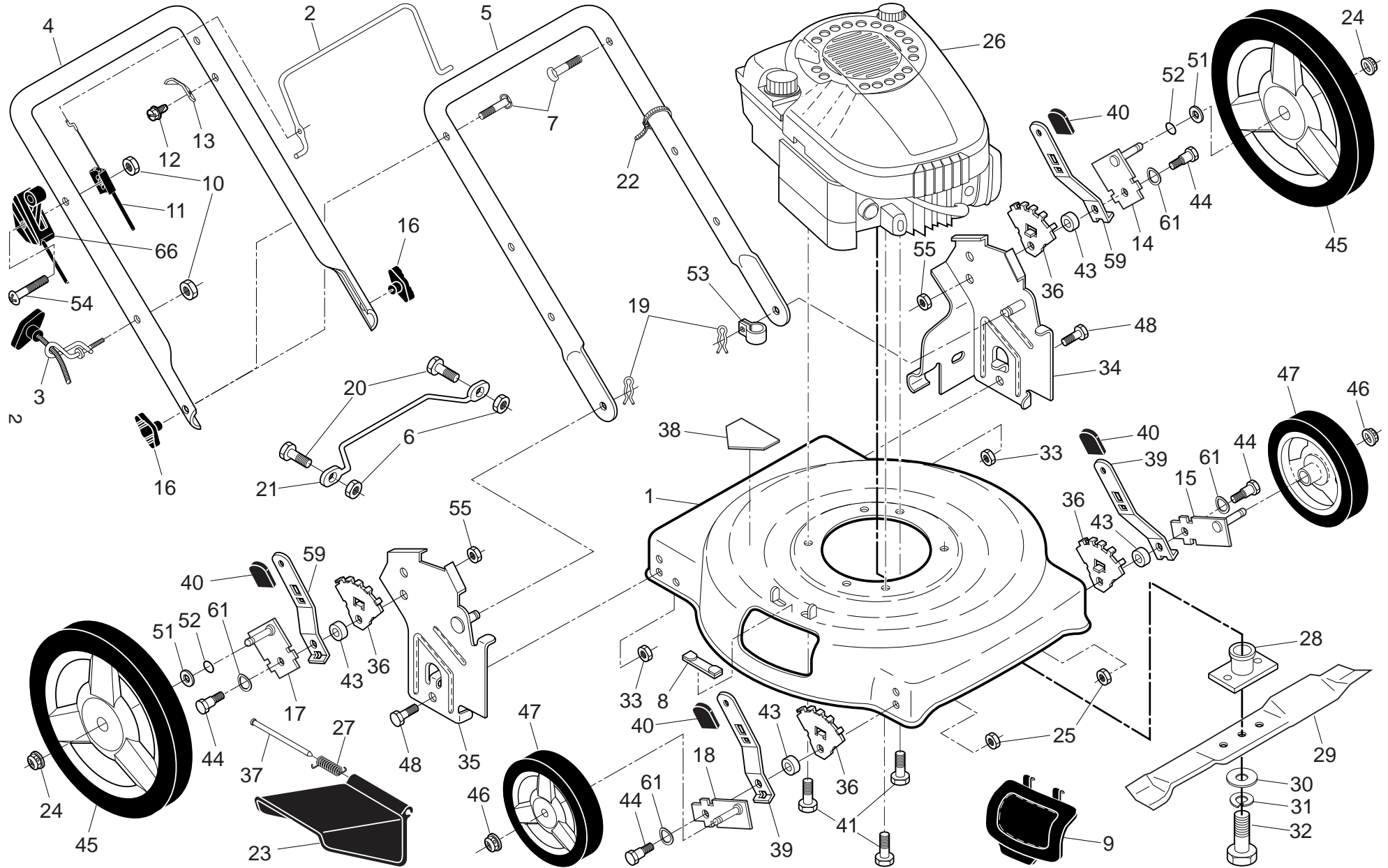


ROTARY LAWN MOWER - - MODEL NUMBER J 55L (96111002702) PRODUCT NUMBER 961 11 00-27



ROTARY LAWN MOWER - - MODEL NUMBER **J 55L** (96111002702) PRODUCT NUMBER 961 11 00-27

KEY NO.	PART NO.	DESCRIPTION	KEY NO.	PART NO.	DESCRIPTION
1	532 41 90-69	Lawn Mower Housing (Includes Key Number 38)	30	532 85 10-74	Hardened Washer
2	532 19 55-74	Control Bar	31	532 85 02-63	Helical Lockwasher 3/8
3	532 19 47-88	Rope Guide	32	532 85 10-84	Hex Head Screw 3/8-24 x 1/4 Grade 8
4	532 40 31-29	Upper Handle	33	873 93 05-00	Locknut 5/16-18
5	532 17 41-10	Lower Handle	34	532 41 91-60	Wheel Bracket, Support, LH
6	532 06 91-80	Locknut, Hex 1/4-20	35	532 41 91-59	Wheel Bracket, Support, RH
7	532 19 15-74	Handle Bolt 5/16-18	36	532 41 05-94	Wheel Bracket, Adjuster
8	532 16 16-22	Clip, Closeout	37	532 16 08-33	Hinge Rod
9	532 16 08-30	Plate, Mulcher	38	532 18 21-66	Danger Decal
10	532 13 20-04	Nut, Hex	39	532 40 64-28	Selector Spring, Front
11	532 18 28-37	Engine Zone Control Cable	40	532 08 78-77	Selector Knob
12	532 75 06-34	Hex Thread Rolling Screw #10-24 x1/2	41	532 15 04-06	Hex Head Thread Rolling Screw 3/8-16 x 1
13	532 12 51-62	Up-Stop Bracket	43	532 40 16-29	Spacer
14	532 41 06-00	Axle Arm Assembly (Rear, LH)	44	532 40 16-38	Shoulder Bolt
15	532 40 66-89	Axle Arm Assembly (Front, LH)	45	532 41 34-01	Wheel & Tire Assembly, Rear 12"
16	532 19 19-38	Handle Knob	46	532 40 91-48	Locknut, Hex 5/16-18
17	532 41 06-01	Axle Arm Assembly (Rear, RH)	47	532 41 31-83	Wheel & Tire Assembly, Front 8"
18	532 40 66-90	Axle Arm Assembly (Front, RH)	48	874 76 05-14	Hex Head Bolt 5/16-18 x 7/8
19	532 05 17-93	Hairpin Cotter	51	532 19 74-80	O-Ring
20	532 08 58-25	Hex Head Screw 1/4	52	532 08 83-48	Washer
21	532 15 41-47	Footguard	53	532 19 79-91	Clip, Cable
22	532 06 64-26	Wire Tie	54	532 18 33-65	Screw
23	532 16 08-31	Discharge Guard	55	532 75 11-53	Nut, Hex
24	532 40 91-49	Washer	59	532 41 05-95	Selector Spring, Rear
25	532 42 65-89	Nut, Hex	61	532 40 16-30	Washer, Cylindrical
26	- - -	Engine, Briggs & Stratton, Model Number 122T02 (Order parts from engine manufacturer)	66	532 42 06-11	Throttle
27	532 40 85-85	Torsion Spring	--	532 18 21-91	Warning Decal (not shown)
28	532 42 00-97	Blade Adapter	--	532 41 90-64	Operator's Manual, European
29	532 19 93-79	22" Blade	--	532 41 90-66	Operator's Manual, Scandinavian
			--	532 41 90-65	Operator's Manual, East Bloc
			--	532 41 90-67	Operator's Manual, Baltic

3

NOTE: All component dimensions given in U.S. inches. 1 inch = 25.4 mm. **IMPORTANT:** Use only Original Equipment Manufacturer (O.E.M.) replacement parts. Failure to do so could be hazardous, damage your lawn mower and void your warranty.