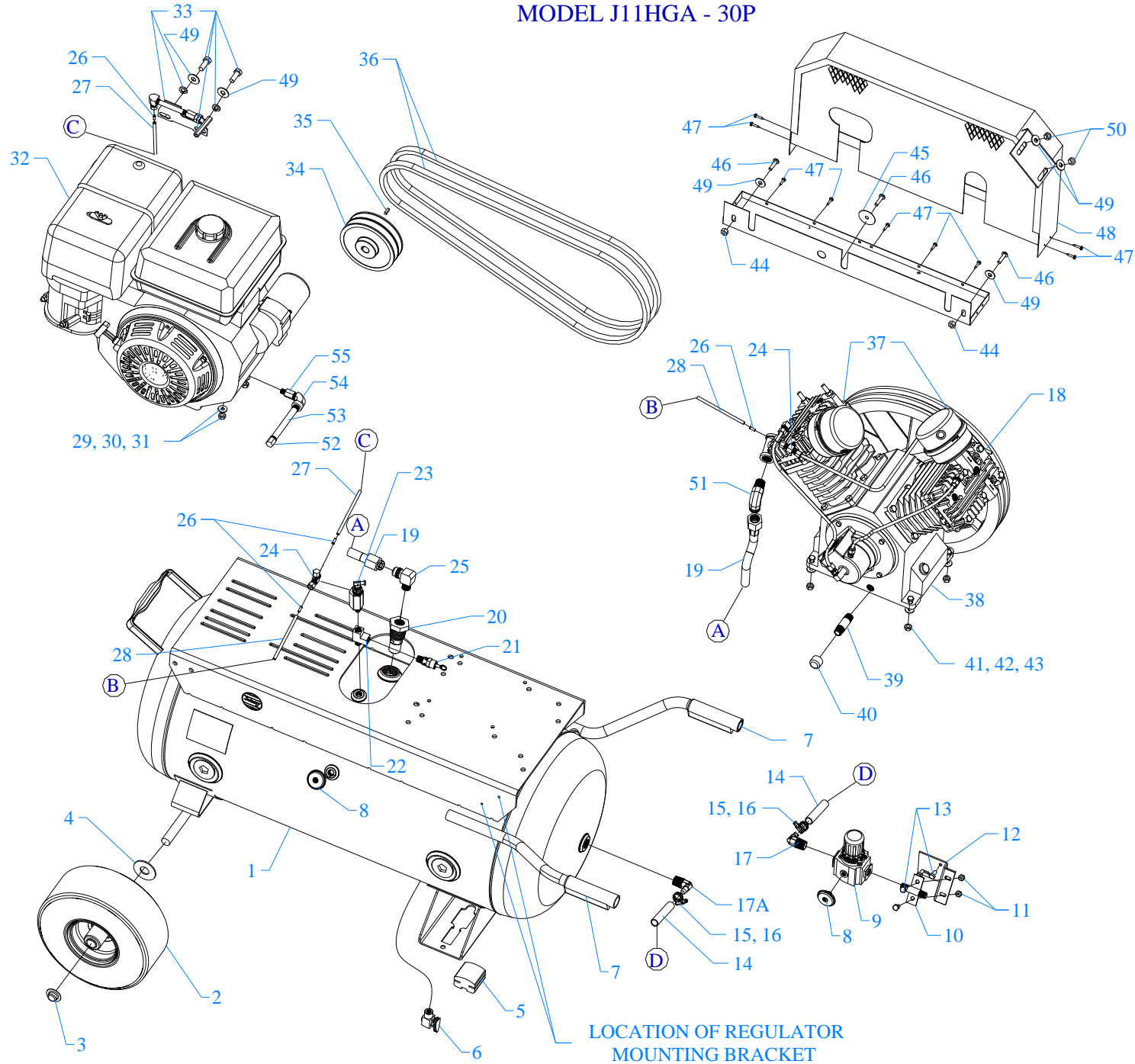


# MODEL J11HGA - 30P



## Parts List for Model J11HGA-30P

NOTE: The quantity number indicates the total number of pieces required for a complete unit repair.  
When ordering parts give compressor model, serial number and part number. Order assemblies when possible.

<u>REF. NO.</u>	<u>PART NO.</u>	<u>DESCRIPTION</u>	<u>QTY.</u>
1	411-1191	TANK,PORTBL,30G,UM,G&GT&J&W	1
2	JP2643-F	WHEEL,PNEUMATIC,10"ODX3/4"ID,BALLBRNG	2
3	120-1257	NUT,PAL,ST,PL,3/4"	2
4	120-1222	WASHER,FLAT,STEEL,PLATED,USS,3/4	2
5	104-1249	PAD,RUBBER,40D,11GA,1-1/4X1-7/8X2-1/2,WP	2
6	141-1098	VALVE,BALL,DRAIN,1/4 TURN,1/4"M	1
7	104-1072	GRIP,HANDLE,RUBBER,YELLOW,7/8",STERILE	2
8	142-1003	GAUGE,PSI,200#,BK MT,JENNY,1.5,1/4",PG14	2
9	160-1001	REGULATOR,PRESSURE,AIR,3/8"NPT	1
9A	360-1109	REGULATOR,PRESSURE,AIR,W/PG14,3/8"N,R38 INCLUDES 8,9,1/4 PLUG	1
10	150-1083	BRACKET,REGULATOR,STEEL,PLATED,3/8",BR	1
10A	320-1029	BRACKET,REGULATOR,W/HARDWARE,ASSY,BR INCLUDES 10,11,13	1
11	120-1119	NUT,LOCK,FLANGE,HEX,SERR,ST,PLTD,5/16-18	2
12	109-1153	BRACKET,REGULATOR,17P	1
13	120-1243	SCREW,FLANGE,HEX,SERR,ST,PL,1/4-20X 1/2	4
14	104-1002	HOSE,AIR,200 PSI,3/8"IDX24"LONG	1
15	120-1173	CLAMP,HOSE,GEAR,WORM,SS,5/16" TO 7/8"	2
16	104-1075	CAP,COVER,PLASTIC,RED,0.40 X 1/4"X 3/8"	2
17	121-1145	BARB,HOSE,ELBOW,MALE,BRASS,3/8HSX3/8NPTM	1
17A	121-1143	BARB,HOSE,ELBOW,MALE,BRASS,3/8HSX1/2NPTM	1
18	121-1032	ELBOW,MALE,COMPRESSION,BR,1/4TBX1/8"NPTM	1
19	360-1401	AFTERCOOLER,HOSE,SS,TEFLON,3/4"ODX12"L	1

## Parts List for Model J11HGA-30P

NOTE: The quantity number indicates the total number of pieces required for a complete unit repair.  
When ordering parts give compressor model, serial number and part number. Order assemblies when possible.

<u>REF. NO.</u>	<u>PART NO.</u>	<u>DESCRIPTION</u>	<u>QTY.</u>
20	141-1037	VALVE,CHECK,INSERT,1"M X 3/4", 134	1
21	141-1014	VALVE,SAFETY,ASME,1/4", 165 PSI	1
22	121-1189	TEE,STREET,BRASS,1/4"NPT	1
23	141-1047	VALVE,PILOT,W/HAND UNLDR,125PSI,1/4"M	1
24	121-1039	TEE,BRANCH,BRASS,1/4"TBX1/4"TBX1/8"NPTM	2
25	JD7988	ELBOW,STREET,BRASS,3/4"NPT	1
26	121-1048	INSERT,TUBING,BRASS,1/4"OD NYLON	4
27	610-1092	TUBE,CONTROL,NYLON,W/SLEEVE,1/4"X14"LG	1
28	610-1087	TUBE,CONTROL,NYLON,W/SLEEVE,1/4"X33"LG	1
29	120-1119	NUT,LOCK,FLANGE,HEX,SERR,ST,PLTD,5/16-18	4
30	120-1075	WASHER,FLAT,STEEL,PLATED,5/16"	8
31	120-1030	SCREW,CAP,HEXHD,GR5,ST,PLD,5/16-18X2-1/4	4
32	131-1023	ENGINE,GAS,HONDA,11 HP,E/S,GX340K1QAE2	1
33	321-1082	IDLE CNTRL 11HP HONDA ASSY	1
34	154-1170	PULLEY,CI,DG,4.0PDA,1ID,2AK44X1	1
35	120-1109	KEY,STEEL,BLACK,5/16X5/16X 1-1/2" LENGTH	1
36	154-4L650	BELT,VEE,A63,4L-650	2
37	320-1121	FILTER,AIR,2PC,W/SILENCER&FILTER,G154	2
38	421-1552	PUMP,CMPSR,PISTON,REPLCMT,BLUE,JU	1
39	122-1039	NIPPLE,STEEL,SCH 40,3/8" X 5" L	1
40	122-1084	CAP,FEMALE,MI,3/8"NPT	1
41	120-1116	NUT,LOCK,FLANGE,HEX,SERR,ST,PLTD,1/4-20	4
42	120-1009	SCREW,CAP,HEXHD,GR5,ST,PLTD,1/4-20X1-1/4	4

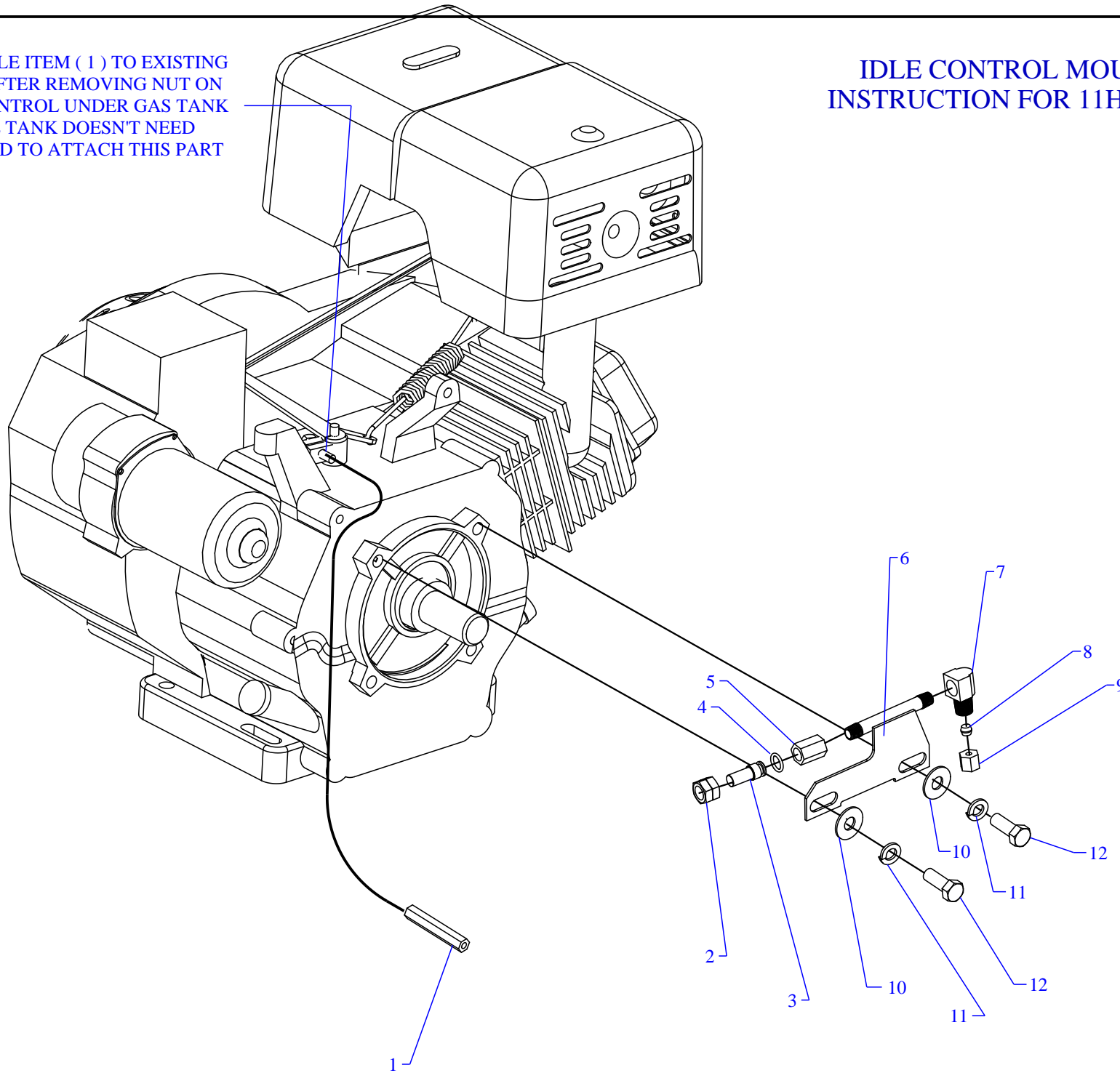
## Parts List for Model J11HGA-30P

NOTE: The quantity number indicates the total number of pieces required for a complete unit repair.  
When ordering parts give compressor model, serial number and part number. Order assemblies when possible.

<u>REF. NO.</u>	<u>PART NO.</u>	<u>DESCRIPTION</u>	<u>QTY.</u>
43	120-1071	WASHER,FLAT,STEEL,PLATED,USS,1/4"	4
44	120-1116	NUT,LOCK,FLANGE,HEX,SERR,ST,PLTD,1/4-20	2
45	120-1072	WASHER,FENDER,ST,PLATED,1/4"X1-1/2"OD	1
46	120-1267	SCREW,PAN HD,PHIL,STEEL,PLTD,1/4-20 X 1"	3
47	120-1177	SCREW,SELF DRILL,HEX,ST,PL,12 X 3/49	9
48	320-1181	BELTGUARD,J&W,W/PAN,4.13WX18.0HX32.25LG	1
49	120-1075	WASHER,FLAT,STEEL,PLATED,5/16"	6
50	120-1119	NUT,LOCK,FLANGE,HEX,SERR,ST,PLTD,5/16-18	2
51	121-1018	ELBOW,MALE,BRASS,3/4-45SAEX3/4"NPTM	1
52	122-1126	CAP,HEX,STEEL,PLATED,1/4"NPT	1
53	122-1220	NIPPLE,STEEL,SCH 40,PLATED,1/4" x 8" L	1
54	121-1049	ELBOW,STREET,BRASS,1/4"NPT	1
55	150-1183	ADAPTER,DRAIN,OIL,BRASS,8&11HP,HONDA	1
NOT SHOWN	634-2893907	FILTER,AIR,HONDA,11HP,17210-ZE3-010	1
NOT SHOWN	610-1225	KIT,ELEMENT,FILTER,G54E,PKG OF 4,G54EP	1
NOT SHOWN	105-1209	OIL,PUMP,SYNTHETIC,BLUE,1 QUART,ESQ	1

ASSEMBLE ITEM ( 1 ) TO EXISTING  
BOLT AFTER REMOVING NUT ON  
IDLE CONTROL UNDER GAS TANK  
NOTE TANK DOESN'T NEED  
REMOVED TO ATTACH THIS PART

## IDLE CONTROL MOUNTING INSTRUCTION FOR 11HP HONDA

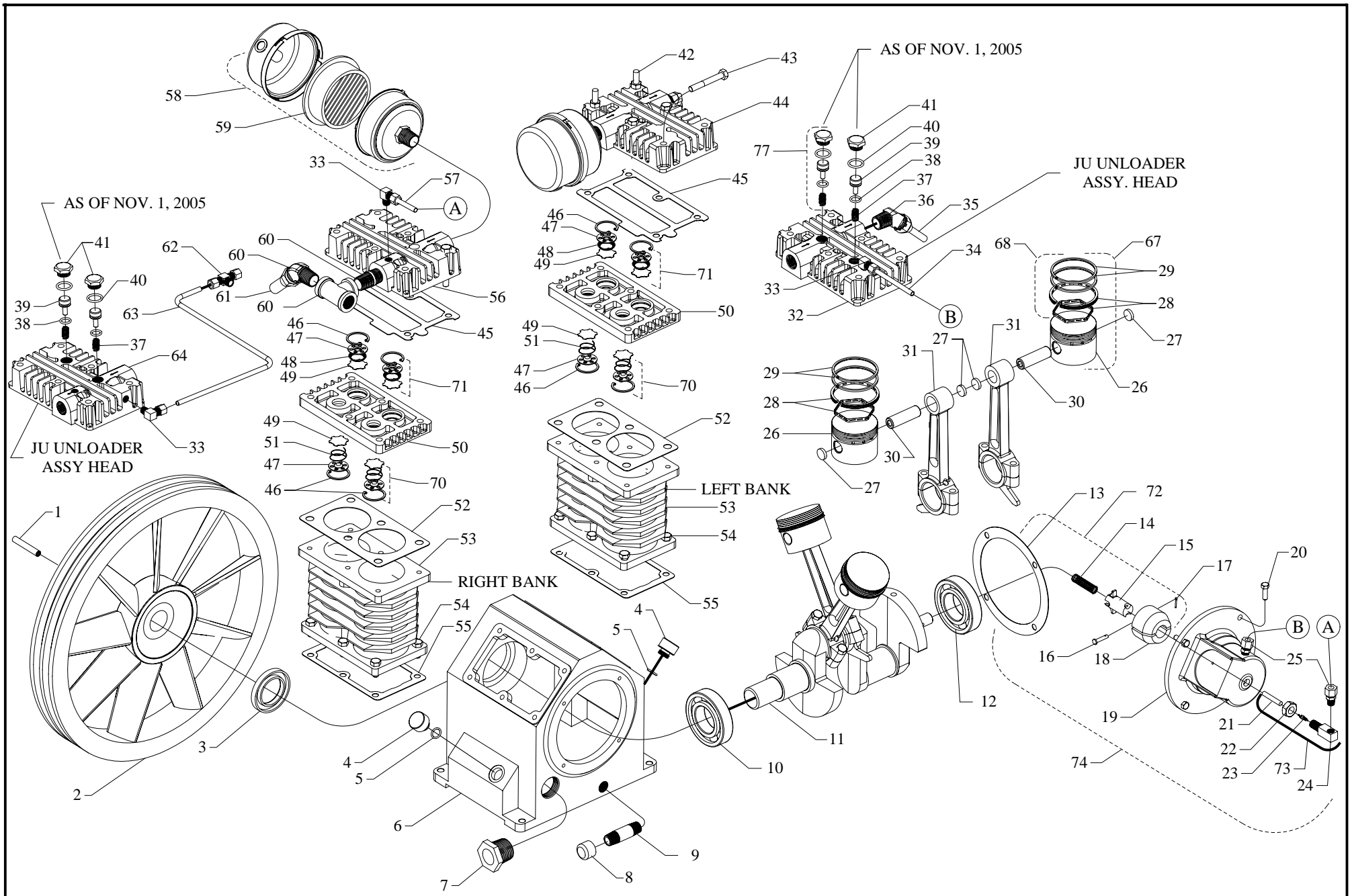


## Parts List for 11&13HP Honda Throttle Idle Control

NOTE: The quantity number indicates the total number of pieces required for a complete unit repair.

When ordering parts give compressor model, serial number and part number. Order assemblies when possible.

<u>REF. NO.</u>	<u>PART NO.</u>	<u>DESCRIPTION</u>	<u>QTY.</u>
1	220-1061	LEVER,CONTROL,IDLE,HONDA,8HP,LIC-8HG	1
2	121-1083	NUT,COMPRESSION,TUBING,BRASS,3/8"	1
3	150-1064	PISTON,CONTROL,IDLE,THROTTLE,HONDA	1
4	104-1021	RING,O,BUNA-N,5/16"IDX7/16"ODX1/16"THK	1
5	150-1063	CYLINDER,CONTROL,IDLE,THROTTLE,BRASS,TIC	1
6	150-1139	BRACKET,CONTROL,IDLE,THROTTLE,11HP,HONDA	1
7	121-1037	ELBOW,FEMALE,COMPRESSION,BR,1/4TBX1/8"N	1
8	121-1080	SLEEVE,COMPRESSION,BRASS,1/4"	1
9	121-1082	NUT,COMPRESSION,TUBING,BRASS,1/4"	1
10	120-1078	WASHER,FLAT,STEEL,PLATED,USS,3/8"	2
11	120-1077	WASHER,LOCK,SPLIT,STEEL,PLATED,3/8"	2
12	120-1032	SCREW,CAP,HEXHD,GR5,ST,PLTD,3/8-16X1	2



MODEL J & JU  
 Four Cylinder Single Stage  
 2-1/2 Bore X 3-1/4 Stroke

## Parts List for Model J & JU

NOTE: The quantity number indicates the total number of pieces required for a complete pump repair.  
When ordering parts give compressor model, serial number and part number. Order assemblies when possible.

<u>REF. NO.</u>	<u>PART NO.</u>	<u>DESCRIPTION</u>	<u>QTY.</u>
1	120-1166	PIN,FLYWHEEL, STL, 5/16 ODX 1-1/4 L, W25	1 EA
2	220-1094	FLYWHEEL,W PUMP,CI,16"DIA,2 GROOVE,W23A	1 EA
3	150-1038	SEAL,OIL,LIP,SINGLE,1.575 DIA,W11	1 EA
4	610-1029	PLUG,CRANKCASE,FILL,OIL,W/O-RING,K14	2 EA
5	104-1016	RING,O,BUNA-N,5/8"IDX13/16"ODX3/32"THK	2 EA
6	220-1036	CRANKCASE,W PUMP,CI,MACHINED,W1	1 EA
7	360-1114	SIGHT GLASS 1" INSTALLED LOW	1 EA
8	122-1084	CAP,FEMALE,MI,3/8"NPT	1 EA
9	122-1037	NIPPLE,STEEL,SCH 40,3/8" X 2" L	1 EA
10	150-1031	BEARING,BALL,W9	1 EA
11	220-1038	CRANKSHAFT,W PUMP,CI,MACHINED,W20	1 EA
12	150-1032	BEARING,BALL,W10	1 EA
13	104-1014	GASKET,CAP,BEARING,W PUMP,1/32THK,W3	1 EA
14	150-1081	COIL SPRING C/U UNLOADER ZN	1 EA
15	220-1049	TUBE,OPERATING,CENTRIFICAL UNLOADER,EQ71	1 EA
16	610-1066	PIN,PIVOT,UNLDR,CNTRFCL,W/CTTR PIN,EQ73	1 EA
17	120-1169	PIN,COTTER,ST,BLACK,1\16DIA X1\2LG,EQ73B	1 EA
18	610-1167	UNLOADER,CENTRIFUGAL,WEIGHT,SET,EQ70	1 EA
19	220-1037	CAP,BEARING,W PUMP,CI,MACHINED,W2	1 EA
20	120-1002	SCREW,CAP,HEXHD,GR5,ST,BLK,1/4-20X5/8 ( 15 FT - LB. )	4 EA
21	220-1050	PIN,UNLOADER,CENTRIFICAL,EQ74D	1 EA
22	120-1171	NUT,HEX,JAM,STEEL,PLATED,7/16-20,EQ74C	1 EA
23	120-1170	VALVE,CORE,EQ74A	1 EA



## Parts List for Model J & JU

NOTE: The quantity number indicates the total number of pieces required for a complete pump repair.  
When ordering parts give compressor model, serial number and part number. Order assemblies when possible.

<u>REF. NO.</u>	<u>PART NO.</u>	<u>DESCRIPTION</u>	<u>QTY.</u>
24	150-1035	BODY,UNLOADER,EQ74B	1 EA
25	121-1025	CONNECTOR,MALE,COMPRESSION,BR,1/4TBX1/8"	2 EA
26	220-1005	PISTON,PUMP,ALUMINUM,MACHINED,K32	4 EA
27	104-1103	BUMPER,WRIST PIN,PLASTIC,K36A	8 EA
28	610-1065	KIT,RING,OIL,W/EXPANDER,ASSY,K34	4 EA
29	150-1003	RING,COMPRESSION,PISTON,STEEL,EBA 22,K33 ( CHAMFER / PIP MARK ON TOP SIDE )	8 EA
30	150-1005	PIN,PISTON,STEEL,HARDENED,K35	4 EA
31	310-1007	ROD,CONNECTING,PUMP,ALUM,MACHINED,W21	4 EA
32	220-1016	HEAD,UNLOADING,G PUMP,CI,6HOLES,LU80	1 EA
33	121-1032	ELBOW,MALE,COMPRESSION,BR,1/4TBX1/8"NPTM	3 EA
34	610-1134	TUBE,BREATHER,COPPER,BENT,J&W PUMP,W18	1 EA
35	610-1119	TUBING,HEAD TO HEAD,J PUMP,CU,5/8",J59	1 EA
36	121-1015	ELBOW,MALE,BRASS,5/8-45SAEX1/2"NPTM	1 EA
37	150-1020	SPRING,VALVE,UNLOADER,INTAKE, KU83	4 EA
38	104-1020	RING,O,SILICON,7/16"IDX5/8"ODX3/32"THK	4 EA
39	150-1028	PISTON,UNLOADER,VALVE,CHECK,BRASS,KU81	4 EA
40	104-1015	RING,O,BUNA-N,1/2"IDX11/16"ODX3/32"THK	4 EA
41	122-1051	PLUG,HEX ,BRASS,11/16-16 UN-2B X .550	4 EA
42	120-1252	BOLT,STUD,HEX,ST,5/16-18X2-1/4X5/8,K52-1(22FT-LB)	2 EA
43	120-1028	SCREW,CAP,HEXHD,GR5,ST,BLK,5/16-18X2-1/4(22FT-LB)	10 EA
44	310-1004	HEAD,START/STOP,G PUMP,REPLACEMNT,L50 ( LEFT HEAD )	1 EA
45	104-1008	GASKET,HEAD,K&G&W PUMP,1/32THK,L51	2 EA

## Parts List for Model J & JU

NOTE: The quantity number indicates the total number of pieces required for a complete pump repair.  
When ordering parts give compressor model, serial number and part number. Order assemblies when possible.

<u>REF. NO.</u>	<u>PART NO.</u>	<u>DESCRIPTION</u>	<u>QTY.</u>
46	150-1041	RETAINER,VALVE,STEEL,PAS,0.062"THK,K43	8 EA
47	109-1010	VALVE,CHECK,BUMPER,STEEL,K44	8 EA
48	150-1018	SPRING,CONE,SS,VALVE,DISCHARGE,K46	4 EA
49	109-1011	VALVE,DISC,STEEL,K47	8 EA
50	610-1396	PLATE,VALVE,L PUMP,CI,PAINTED,BLUE,L40	2 EA
51	150-1017	SPRING,CONE,SS,VALVE,INTAKE,K45	4 EA
52	104-1007	GASKET,PLATE,VALVE,K&G&W PUMP,1/32TK,L41	2 EA
53	360-1152	CYLINDER W30 REPLACEMENT BLUE W30	2 EA
54	120-1017	SCREW,CAP,HEXHD,GR5,ST,BLK,5/16-18X3/4 ( 15 FT - I	12 EA
55	104-1006	GASKET,CYLINDER,K&G&W PUMP,1/32THK,K31	2 EA
56	310-1034	HEAD,START/STOP,J PUMP,J50 ( RIGHT HEAD )	1 EA
57	610-1138	TUBE,UNLOADER,CENTRIFUGAL,J PUMP,CU,J78	1 EA
58	320-1121	FILTER,W/DECALS,ASSY,G154S	2 EA
59	150-1104	ELEMENT,FILTER,AIR,(92 EMGLO),G54E	2 EA
60	610-1067	MANIFOLD,PIPE,OUTLET,J PUMP,ASSY,J57	1 EA
61	610-1119	TUBING,HEAD TO HEAD,J PUMP,CU,5/8",J59	1 EA
62	121-1039	TEE,BRANCH,BRASS,1/4"TBX1/4"TBX1/8"NPTM	1 EA
63	610-1136	TUBING,UNLOADER,HEAD-HEAD,W PUMP,WU88	1 EA
64	220-1078	HEAD,UNLOADING,J PUMP,CI,MACHINED,JU80	1 EA
<b>ASSEMBLIES</b>			
65	610-1068	KIT,GASKET,J PUMP,ASSY,J100 SET INCLUDES 13, (2) 45, (2) 52, (2) 55	1 EA
66	610-1126	KIT,BASIC,REPAIR,J PUMP,J101 65 (2), 68 (4), 70(4), 71(4), 150-1010 FILTER ELEMENT	1 EA

## Parts List for Model J & JU

NOTE: The quantity number indicates the total number of pieces required for a complete pump repair.  
When ordering parts give compressor model, serial number and part number. Order assemblies when possible.

<u>REF. NO.</u>	<u>PART NO.</u>	<u>DESCRIPTION</u>	<u>QTY.</u>
67	610-1028	PISTON,W/RINGS&PIN,ASSY,K132	3 EA
68	610-1020	KIT,PUMP,RING,PISTON,F&K&G&W PUMP,K133	2 EA
69	610-1127	KIT,BASIC,REPAIR,JU PUMP,JU101 SAME AS 66 w / (4) 78	1 EA
70	610-1031	VALVE,CHECK,SUCTION,ASSY,K145	4 EA
71	610-1032	VALVE,CHECK,DISCHARGE,ASSY,K146	4 EA
72	610-1053	WEIGHT,UNLOADER,CENTRIFICAL,W/GSKT,W170 ASSY, W / GASKET,INCLUDES 13,14,15,16,18	1 EA
73	310-1016	VALVE,UNLOADER,CENTRIFICAL,ASSY,EQ174 ASSY. INCLUDES 21, 22, 23, 24, 25	1 EA
74	610-1054	UNLOADER,CENTRIFICAL,W/B CAP,ASSY,W175 ASSY. W / BEARING CAP, TUBING AND GASKET	1 EA
75	310-1008	HEAD,UNLOADING,K&G,W/1/2"PRT 6 HLE,LU180 COMPLETE W / UNLOADERS ( RIGHT HEAD )	1 EA
76	610-1045	PLATE,VALVE,W/VALVES,ASSY,L140 INSTALLED W / 45, 52 GASKET	1 EA
77*	610-1042	VALVE,UNLOADER,HEAD,PUMP,ASSY 150-1042 (2pcs) 120-1167 (2pcs) must be ordered extra	4 EA
77**	610-1042	VALVE,UNLOADER,HEAD,PUMP,ASSY,KU181 INCLUDES 37, 38, 39, 40 41	4 EA
78	310-1035	HEAD,UNLOADING,J PUMP,JU180 ( LEFT HEAD )	1 EA

77\* for units built before serial #D103105001

77\*\* for units built after serial #D110105001