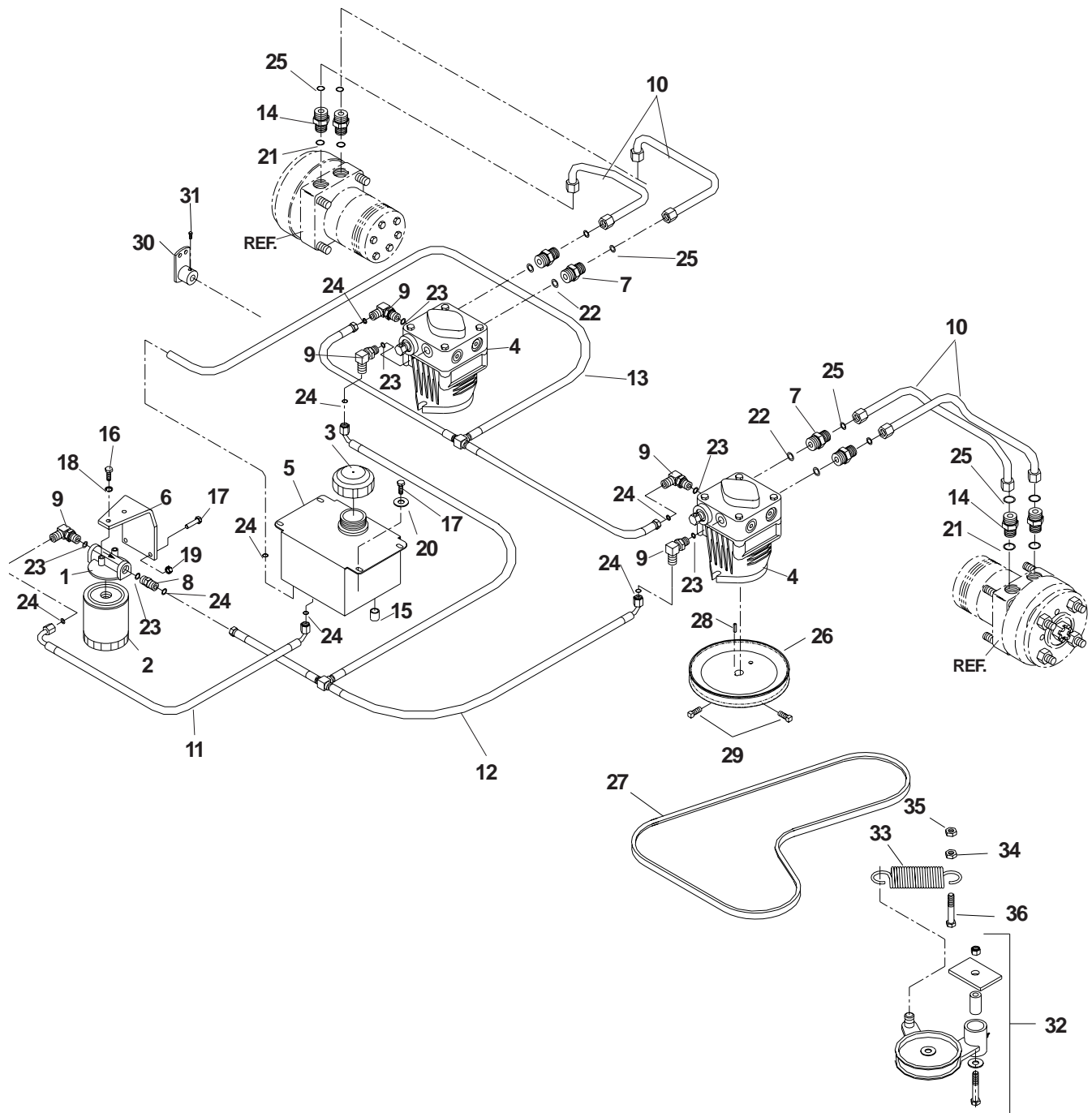


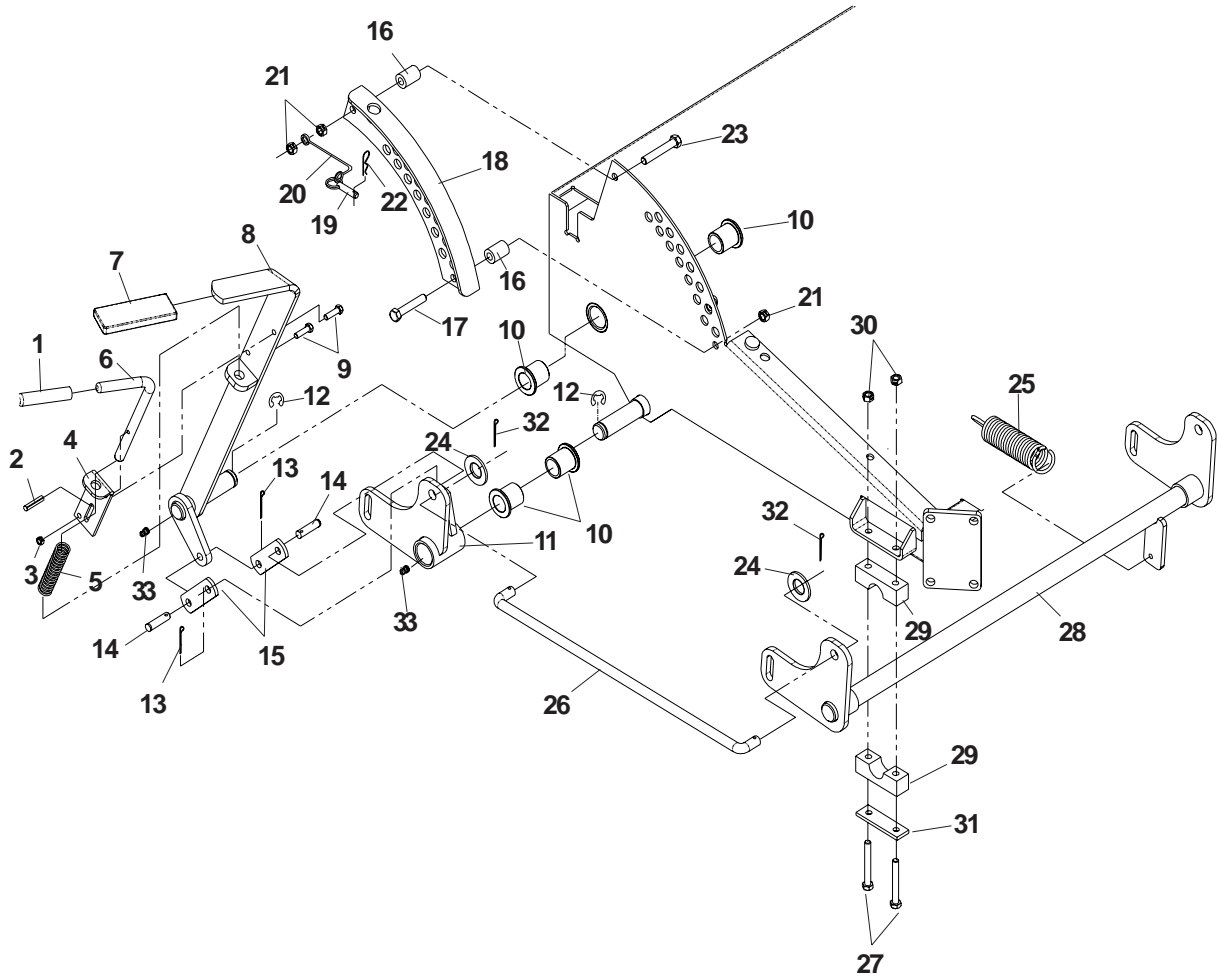
HYDRAULIC ASSEMBLY (TF)



HYDRAULIC ASSEMBLY (TF)

| ITEM | PART NO. | QTY. | DESCRIPTION |
|------|-----------|------|--------------------------------|
| 1 | 539101165 | 1 | FILTER HEAD |
| 2 | 539102606 | 1 | FILTER |
| 3 | 539101202 | 1 | CAP HYDRAULIC RESERVOIR |
| 4 | 539107749 | 2 | PUMP |
| 5 | 539105024 | 1 | TANK |
| 6 | 539106933 | 1 | BRACKET, OIL FILTER |
| 7 | 539101237 | 4 | FITTING, STRAIGHT, F6400-8-8-0 |
| 8 | 539103316 | 1 | FITTING, F6400-6-6-0 |
| 9 | 539101238 | 5 | FITTING, 90°, F6801-6-6-0 |
| 10 | 539106896 | 4 | HYDRAULIC LINE |
| 11 | 539104722 | 1 | HOSE, 7" |
| 12 | 539106895 | 1 | "T" ASSEMBLY |
| 13 | 539106897 | 1 | "T" ASSEMBLY |
| 14 | 539102396 | 4 | FITTING, STRAIGHT |
| 15 | 539105168 | 1 | CAP |
| 16 | 539990072 | 2 | HCS 1/4C X 5/8 |
| 17 | 539990580 | 6 | HCS 1/4C X 3/4 |
| 18 | 539990052 | 2 | LOCKWASH, 1/4 |
| 19 | 539976978 | 8 | NUT, 1/4C, NYLOC |
| 20 | 539990598 | 8 | WASHER, 1/4, FLAT |
| 21 | 539103115 | 4 | "O" RING, 3/4 |
| 22 | 539103116 | 4 | "O" RING, 1/2 |
| 23 | 539103117 | 6 | "O" RING, 3/8 |
| 24 | 539103118 | 8 | "O" RING FLARE, 3/8 |
| 25 | 539103119 | 8 | "O" RING FLARE, 1/2 |
| 26 | 539101176 | 1 | PULLEY, PUMP |
| 27 | 539106887 | 1 | BELT, PUMP |
| 28 | 539101177 | 2 | KEY, 5MM SQ X 25MM |
| 29 | 539102717 | 4 | SET SCREW, 5/16C X 5/8 |
| 30 | 539104382 | 2 | PUMP LEVER |
| 31 | 539105079 | 2 | V-POINT, 5/16C X 5/8 |
| 32 | 539104408 | 1 | IDLER ARM ASSEMBLY |
| 33 | 539103256 | 1 | SPRING |
| 34 | 539990613 | 1 | NUT, 3/8C, WHIZ |
| 35 | 539976979 | 1 | NUT, 3/8C, NYLOC |
| 36 | 539990588 | 1 | HCS 3/8C X 2 |

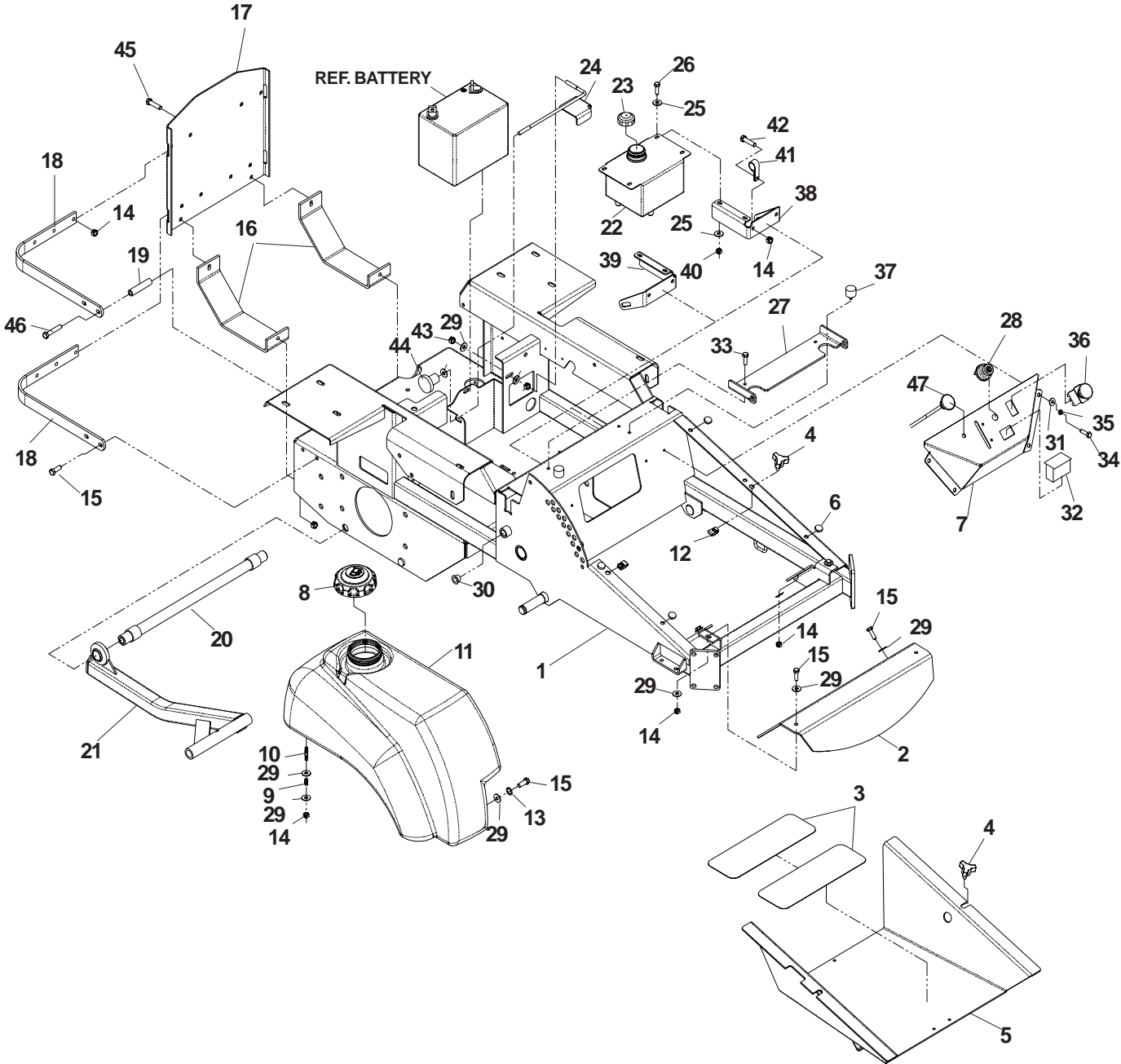
DECK LIFT ASSEMBLY



DECK LIFT ASSEMBLY

| ITEM | PART NO. | QTY. | DESCRIPTION |
|------|-----------|------|----------------------------------|
| 1 | 539101050 | 1 | GRIP |
| 2 | 539106532 | 1 | GROOVED PIN |
| 3 | 539990761 | 2 | NUT1/4C CENTER LOCK |
| 4 | 539103534 | 1 | PIN MT, UPPER |
| 5 | 539101058 | 1 | SPRING |
| 6 | 539103533 | 1 | PIN |
| 7 | 539102515 | 1 | GRIP |
| 8 | 539108862 | 1 | LEVER WLDMT |
| 9 | 539990580 | 2 | HCS 1/4C X 3/4 |
| 10 | 539101232 | 6 | FLANGED BUSHING |
| 11 | 539107032 | 1 | BELLCRANK WLDMT - RT |
| | 539107031 | 1 | BELLCRANK WLDMT - LT - NOT SHOWN |
| 12 | 539101802 | 3 | 7/8 'E' RING |
| 13 | 539990365 | 6 | COTTER PIN, 1/8 X 3/4 |
| 14 | 539977703 | 2 | CLEVIS PIN, 3/8 X 1 1/8 |
| 15 | 539102565 | 2 | LIFT ARM |
| 16 | 539103543 | 2 | SPACER |
| 17 | 539990588 | 1 | HCS 3/8C X 2 |
| 18 | 539106976 | 1 | ADJUSTMENT PLATE |
| 19 | 539102526 | 1 | HITCH PIN |
| 20 | 539105059 | 1 | LANYARD |
| 21 | 539976979 | 3 | NUT 3/8C NYLOC |
| 22 | 539976989 | 1 | HAIRPIN, #4 |
| 23 | 539990637 | 1 | HCS 3/8C X 2 1/2 |
| 24 | 539991043 | 4 | BUSHING, 5/8 MACH. |
| 25 | 539102642 | 1 | SPRING |
| 26 | 539106891 | 2 | DECK LIFT LINK |
| 27 | 539101721 | 4 | HCS 5/16C X 2 3/4 |
| 28 | 539108349 | 1 | LIFT WLDMT |
| 29 | 539104808 | 4 | LIFT BLOCK |
| 30 | 539990717 | 4 | NUT 5/16C NYLOC |
| 31 | 539104807 | 2 | REINF. PLATE |
| 32 | 539990654 | 4 | COTTER PIN, 5/32 X 1 1/4 |
| 33 | 539101474 | 3 | ZERK |

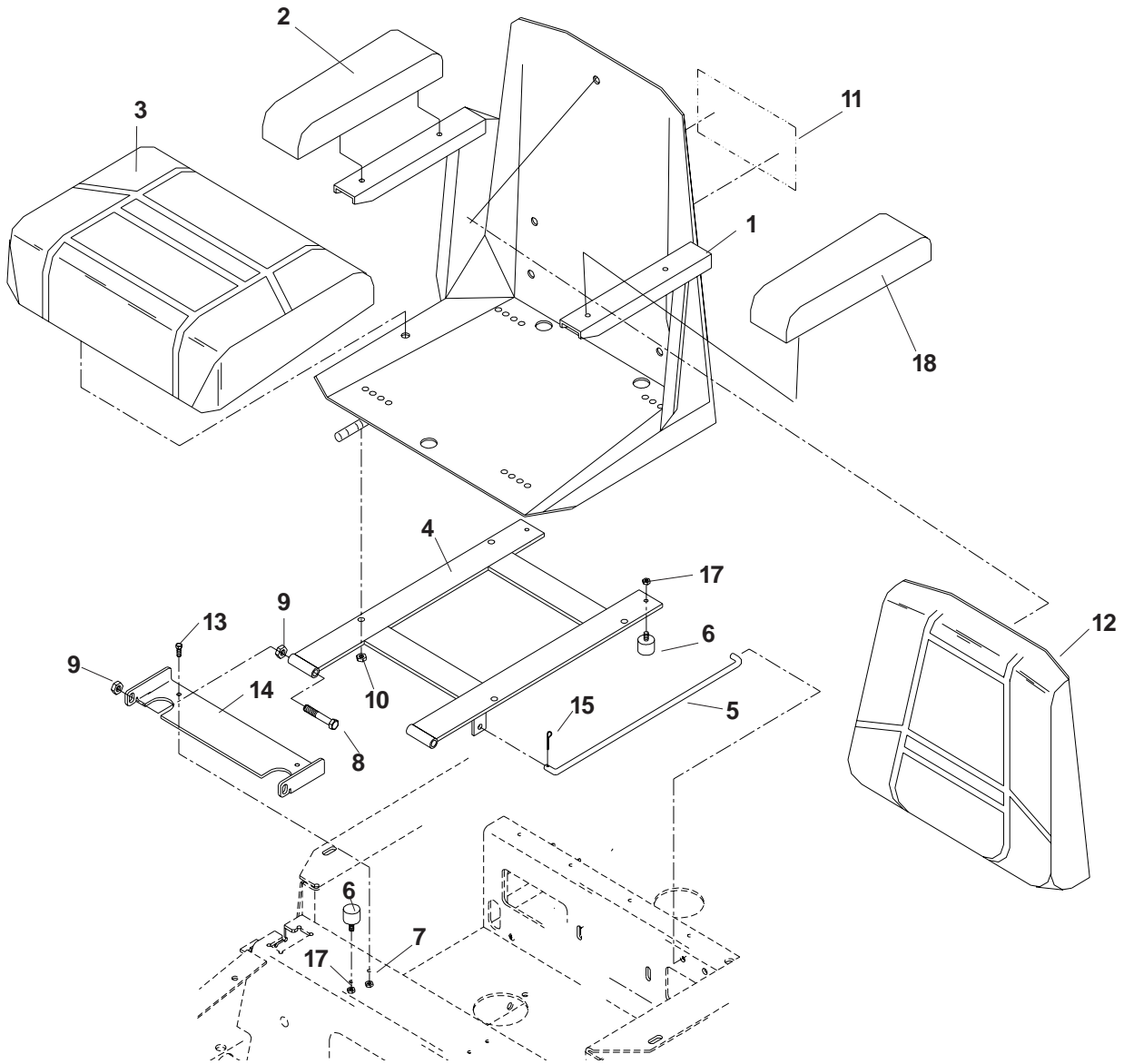
MAIN FRAME ASSEMBLY



MAIN FRAME ASSEMBLY

| ITEM | PART NO. | QTY. | DESCRIPTION | ITEM | PART NO. | QTY. | DESCRIPTION |
|------|-----------|------|--------------------------------|------|-----------|------|---------------------------------|
| 1 | 539109285 | 1 | FRAME W/DECALS | 31 | 539990598 | 12 | WASHER, 1/4, FLAT |
| 2 | 539106941 | 1 | FOOT REST | 32 | 539108016 | 1 | HOUR METER |
| 3 | 539977778 | 3 | ANTI-SKID PAD | 33 | 539990580 | 10 | HCS 1/4C X 3/4 |
| 4 | 539104411 | 2 | KNOB W/STUD | 34 | 539990362 | 4 | TFS 1/4C X 5/8 |
| 5 | 539106954 | 1 | FOOT PLATE | 35 | 539990052 | 6 | LOCKWASHER, 1/4 |
| 6 | 539102587 | 5 | BUMPER | 36 | 539101768 | 1 | BLADE SWITCH |
| 7 | 539104996 | 1 | CONSOLE WLDMT. | 37 | 539105039 | 4 | STUD/PLATE MOUNT |
| 8 | 539107598 | 2 | FUEL CAP | 38 | 539106931 | 1 | TANK MOUNT, RIGHT |
| 9 | 539102845 | 8 | SPRINGER | 39 | 539106929 | 1 | TANK MOUNT, LEFT |
| 10 | 539102502 | 6 | STUD | 40 | 539976978 | 14 | NUT, 1/4C, NYLOC |
| 11 | 539104410 | 1 | FUEL TANK, RIGHT | 41 | 539102685 | 1 | LOOM CLIP |
| | 539104409 | 1 | FUEL TANK, LEFT (NOT SHOWN) | 42 | 539976934 | 8 | HCS 5/16C X 3/4 |
| 12 | 539104763 | 2 | "U" CLIP, 5/16C | 43 | 539990184 | 8 | LOCKNUT, 5/16C |
| 13 | 539990187 | 2 | LOCKWASHER, 5/16 | 44 | 539105169 | 2 | KNOB |
| 14 | 539990717 | 14 | NUT, 5/16C, NYLOC | 45 | 539107271 | 10 | RHSSNB 5/16 X 1 |
| 15 | 539990209 | 6 | HCS 5/16C X 1 | 46 | 539102335 | 1 | HCS 5/16C X 4 |
| 16 | 539106957 | 2 | SKID PLATE | 47 | 539102733 | 1 | CHOKE CONTROL |
| 17 | 539106959 | 1 | ENGINE GUARD | | 539105281 | 1 | HOSE, FUEL (TO ENGINE) |
| 18 | 539106961 | 4 | STRAP | | | | (NOT SHOWN) |
| 19 | 539106962 | 1 | SPACER | | 539105527 | 1 | HOSE, FUEL (RIGHT TANK) |
| 20 | 539104197 | 2 | STRUT MT WLDMT | | | | (NOT SHOWN) |
| 21 | 539108350 | 1 | STRUT, RIGHT | | 539105530 | 1 | HOSE, FUEL (LEFT TANK) |
| | 539108351 | 1 | STRUT, LEFT (NOT SHOWN) | | | | (NOT SHOWN) |
| 22 | 539105024 | 1 | OIL TANK | | 539102679 | 1 | VALVE, FUEL (NOT SHOWN) |
| 23 | 539101202 | 1 | CAP OIL TANK | | | | (NOT SHOWN) |
| 24 | 539106899 | 1 | BATTERY HOLD DOWN | | 539912222 | 6 | CLAMP, HOSE (NOT SHOWN) |
| 25 | 539990598 | 4 | WASHER, 1/4, FLAT | | 539102650 | 2 | HOSE BARB, 90° (NOT SHOWN) |
| 26 | 539990580 | 4 | HCS 1/4C X 3/4 | | 539103275 | 1 | CONTROL THROTTLE (NOT SHOWN) |
| 27 | 539105224 | 1 | SEAT BKT W/DECAL | | | | |
| 28 | 539101770 | 1 | SWITCH, IGNITION | | | | |
| 29 | 539990692 | 24 | WASHER, 5/16, FLAT | | | | |
| 30 | 539102519 | 2 | BUSHING | | | | |

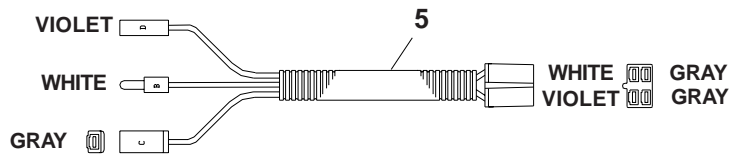
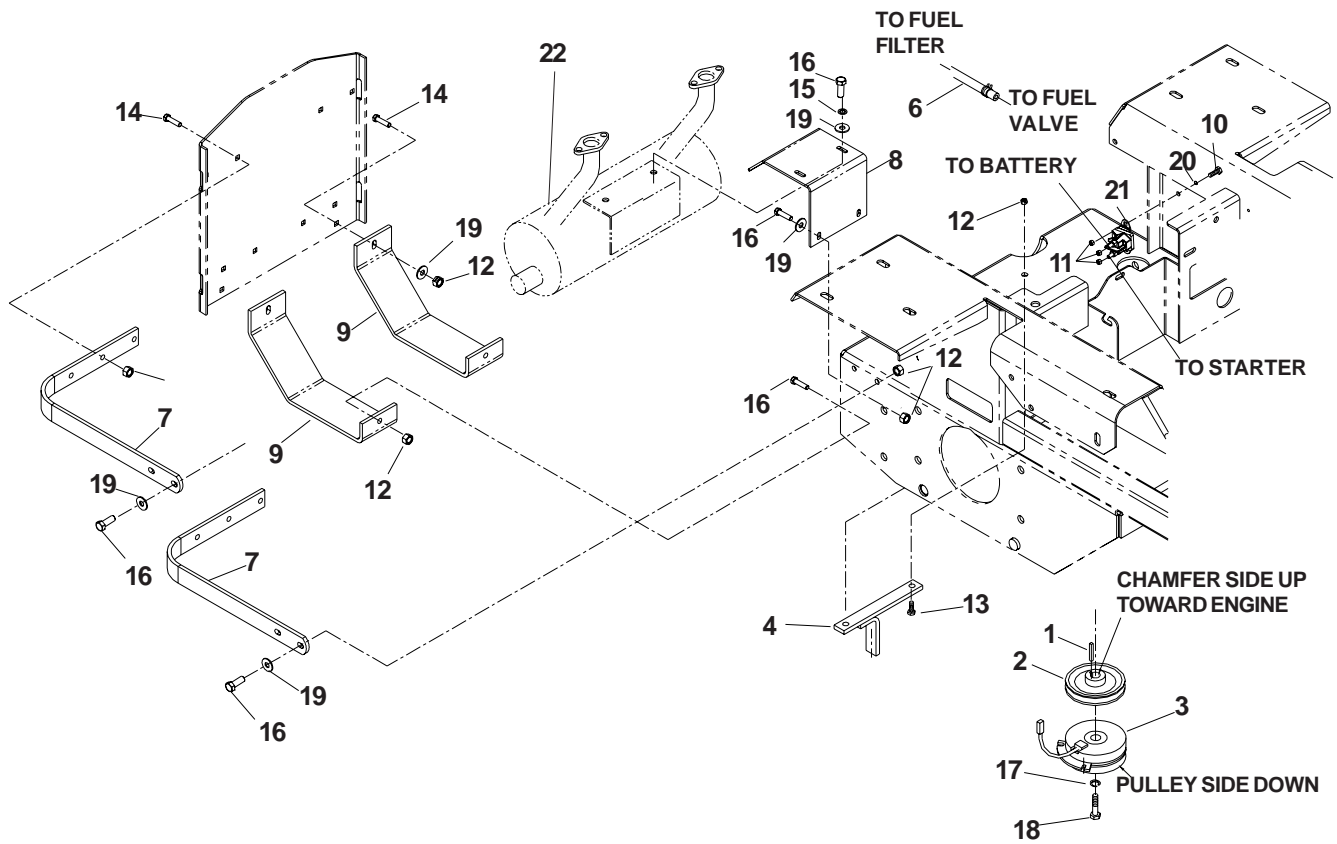
SEAT ASSEMBLY



SEAT ASSEMBLY

| ITEM | PART NO. | QTY. | DESCRIPTION |
|------|-----------|------|-----------------------------------|
| 1 | 539108715 | 1 | SEAT, COMPLETE |
| 2 | 539108717 | 1 | ARM REST ASSEMBLY, RIGHT KIT |
| 3 | 539108718 | 1 | SEAT CUSHION KIT |
| 4 | 539105283 | 1 | SEAT MOUNT |
| 5 | 539104525 | 1 | SEAT ROD |
| 6 | 539105039 | 4 | STUD / PLATE MOUNT |
| 7 | 539990372 | 2 | 1/4C LOCKNUT |
| 8 | 539101341 | 2 | HCS 3/8C X 3 |
| 9 | 539990546 | 4 | NUT 3/8C CTR. LOCK |
| 10 | 539990717 | 4 | NUT 5/16C, NYLOC |
| 11 | 539104789 | 1 | DECAL, CROWN |
| 12 | 539108719 | 1 | SEAT BACK KIT |
| 13 | 539990580 | 2 | HCS 1/4C X 3/4 |
| 14 | 539105224 | 1 | SEAT BKT. W/DECAL |
| 15 | 539990365 | 1 | COTTER PIN |
| 16 | 539108720 | 1 | SEAT RAILS (NOT SHOWN) |
| 17 | 539976978 | 4 | NUT 1/4C NYLOC |
| 18 | 539108716 | 1 | ARM REST ASSEMBLY, LEFT KIT |
| | 539108745 | 1 | SWITCH/SNAP MOUNT KIT (NOT SHOWN) |

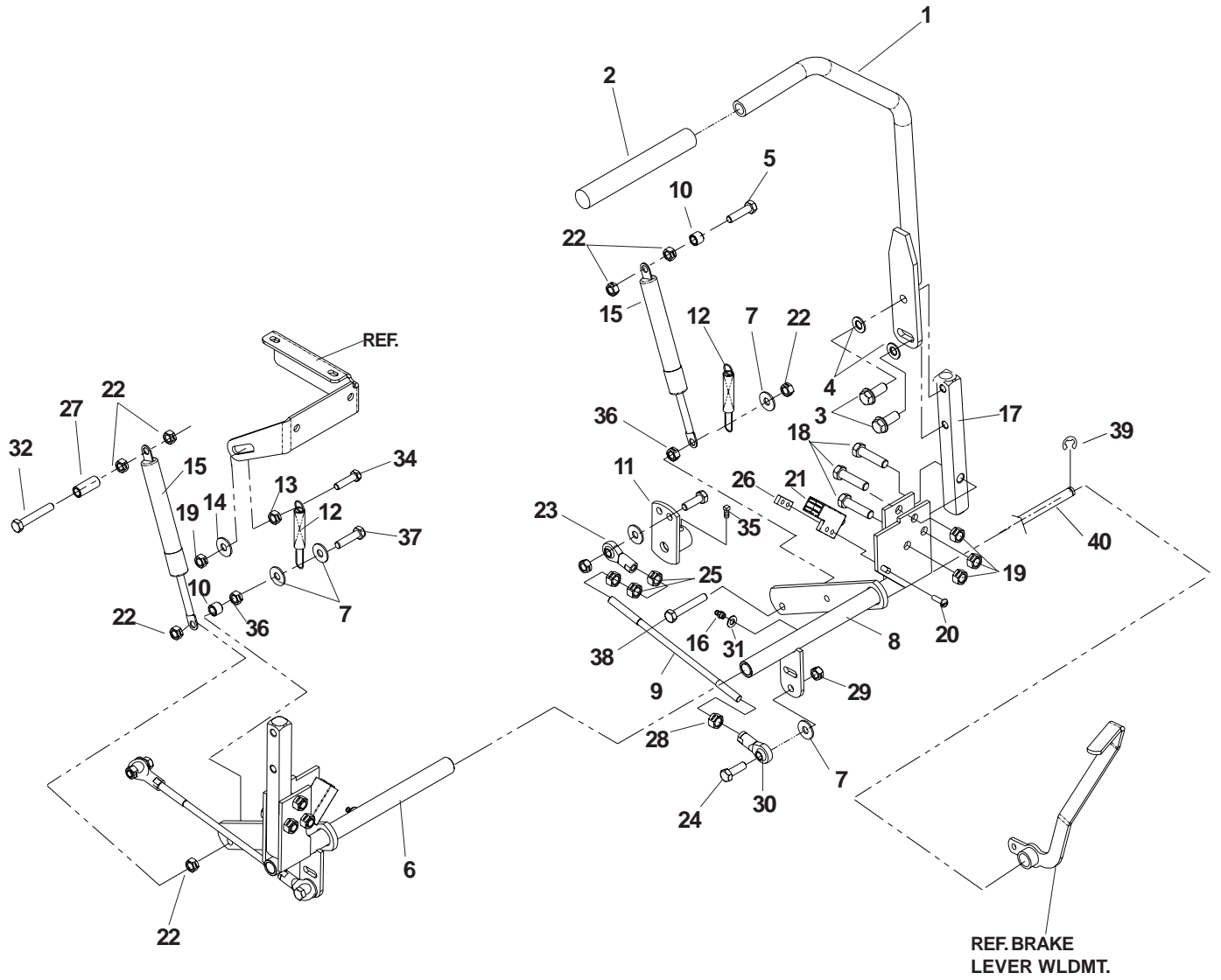
KAWASAKI ENGINE ASSEMBLY



KAWASAKI ENGINE ASSEMBLY

| ITEM | PART NO. | QTY. | DESCRIPTION |
|------|-----------|------|------------------------------|
| 1 | 539912757 | 1 | KEY, 1/4 SQ X 1 1/4 |
| 2 | 539106992 | 1 | PULLEY |
| 3 | 539106880 | 1 | CLUTCH |
| 4 | 539106819 | 1 | CLUTCH TIE DOWN |
| 5 | 539104415 | 1 | PIGTAIL |
| 6 | 539105281 | 1 | FUEL HOSE, 29.5" |
| 7 | 539106961 | 4 | STRAP |
| 8 | 539106886 | 1 | MUFFLER BRACKET (21 HP ONLY) |
| 9 | 539106957 | 2 | SKID PLATE |
| 10 | 539990072 | 2 | HCS, 1/4C X 5/8 |
| 11 | 539976978 | 5 | NUT, 1/4C, NYLOC |
| 12 | 539990717 | 22 | NUT, 5/16C, NYLOC |
| 13 | 539990669 | 4 | HCS, 5/16C X 1 3/4 |
| 14 | 539107271 | 10 | RHSSNB 5/16C X 1 |
| 15 | 539990187 | 2 | LOCKWASHER, 5/16 |
| 16 | 539990209 | 8 | HCS, 5/16C X 1 |
| 17 | 539990247 | 1 | LOCKWASHER, 7/16 |
| 18 | 539991120 | 1 | HCS, 7/16F X 2 1/2 |
| 19 | 539990692 | 10 | WASHER, 5/16, FLAT |
| 20 | 539990053 | 2 | LOCKWASHER, 1/4 IT |
| 21 | 539101714 | 1 | SOLINOID |
| 22 | 539106890 | 1 | MUFFLER, 18 H.P. |
| | 539105897 | 1 | MUFFLER, 21 H.P. |

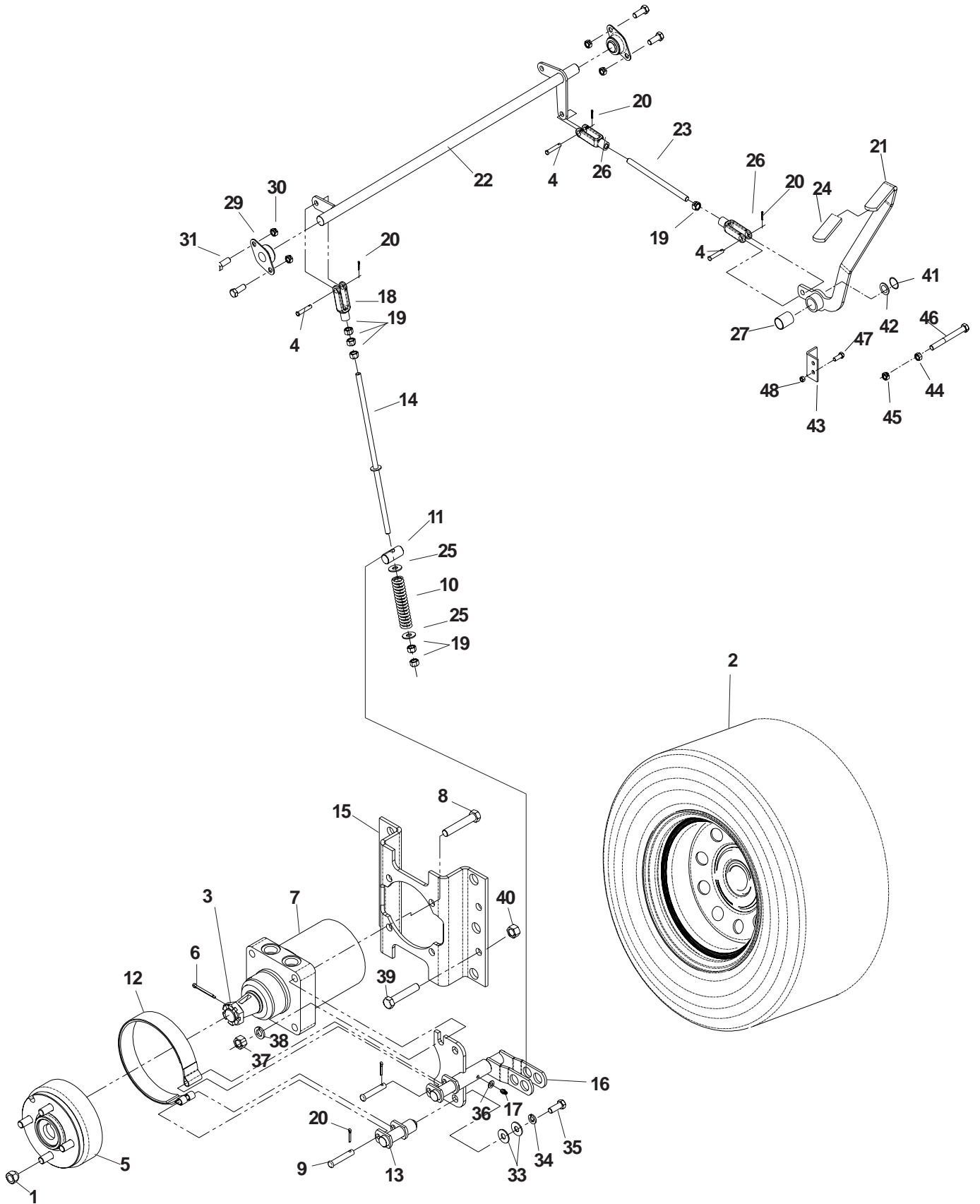
MOTION CONTROL ASSEMBLY



MOTION CONTROL ASSEMBLY

| ITEM | PART NO. | QTY. | DESCRIPTION |
|------|-------------|------|--------------------------|
| 1 | 539104190.. | 2 | CONTROL LEVER WLDMT |
| 2 | 539102592.. | 2 | GRIP |
| 3 | 539990563.. | 4 | HCS 3/8C X 1 |
| 4 | 539102593.. | 4 | 3/8 DISC SPRING WASHER |
| 5 | 539976935.. | 1 | HCS 5/16C X 1 1/2 |
| 6 | 539106923.. | 1 | CONTROL WELDMENT, RIGHT |
| 7 | 539990692.. | 7 | WASHER 5/16 FLAT |
| 8 | 539106924.. | 1 | CONTROL WELDMENT, LEFT |
| 9 | 539103264.. | 2 | PUMP CONTROL LINK |
| 10 | 539102827.. | 2 | SPACER |
| 11 | 539104382.. | 2 | CONTROLARM, PUMP |
| 12 | 539103297.. | 2 | SPRING |
| 13 | 539990613.. | 2 | 3/8C WHIZ NUT |
| 14 | 539990517.. | 2 | WASHER 3/8 FLAT |
| 15 | 539102720.. | 2 | DAMPENER |
| 16 | 539976998.. | 2 | ZERK |
| 17 | 539102809.. | 2 | CONTROLARM |
| 18 | 539990730.. | 6 | HCS 3/8C X 1 3/4 |
| 19 | 539976979.. | 6 | NUT, 3/8C, NYLOC |
| 20 | 539976952.. | 4 | SCREW 310-24 X 5/8 |
| 21 | 539101080.. | 2 | SWITCH |
| 22 | 539990184.. | 7 | NUT, 5/16C, CENTERLOCK |
| 23 | 539102590.. | 2 | BALL JOINT, RIGHT |
| 24 | 539990627.. | 4 | HCS 5/16C X 1 1/4 |
| 25 | 539990223.. | 6 | NUT, 5/16-24 |
| 26 | 539102678.. | 2 | TAPPED PLATE |
| 27 | 539104995.. | 1 | SPACER |
| 28 | 539991073.. | 2 | NUT, 5/16F, LEFT HAND |
| 29 | 539990717.. | 4 | NUT, 5/16C, NYLOC |
| 30 | 539102591.. | 2 | BALL JOINT, LEFT |
| 31 | 539103547.. | 2 | WASHER |
| 32 | 539976937.. | 1 | HCS 5/16C X 2 |
| 33 | 539101341.. | 1 | HCS 3/8C X 3 (NOT SHOWN) |
| 34 | 539990637.. | 1 | HCS 3/8C X 2 1/2 |
| 35 | 539105079.. | 2 | SCREW, 5/16C X 5/8, SET |
| 36 | 539990585.. | 2 | NUT 5/16C, WHIZ |
| 37 | 539991055.. | 1 | BOLT, 5/16C X 2 1/4, TAP |
| 38 | 539100469.. | 1 | BOLT, 5/16C X 1 1/4, TAP |
| 39 | 539101949.. | 2 | E-RING, 1/2 |
| 40 | 539108659.. | 1 | CONTROL SHAFT |

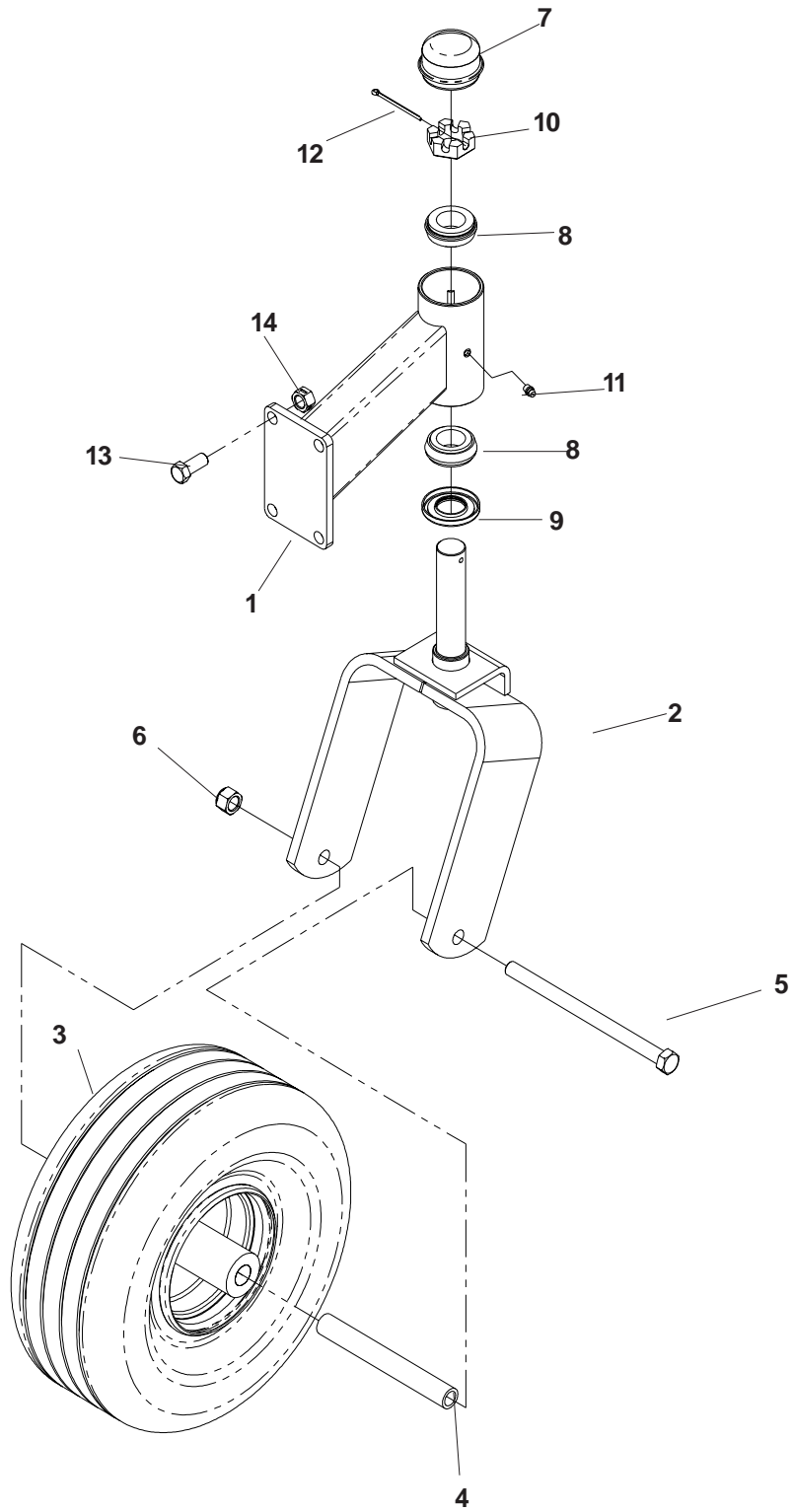
PARK BRAKE ASSEMBLY (TF)



PARK BRAKE ASSEMBLY (TF)

| ITEM | PART NO. | QTY. | DESCRIPTION | ITEM | PART NO. | QTY. | DESCRIPTION |
|------|-----------|------|---|------|-----------|------|---------------------------------|
| 1 | 539101173 | 8 | LUG NUT 1/2F | 16 | 539106990 | 2 | BRAKE WLDMT |
| 2 | 539106883 | 2 | REAR TIRE ASM. Note! For EC models (COMPLETE) (FOR MODEL: 986999210) | 17 | 539976998 | 2 | ZERK, STRAIGHT, 1/4-28 |
| | 539107431 | 1 | TIRE, 23 X 10.5-12 | 18 | 539977465 | 2 | YOKE, 3/8-24 |
| | 539105983 | 1 | RIM, 12 X 8.5 | 19 | 539990155 | 10 | NUT, HEX, 3/8F |
| | 539912234 | 1 | VALVE STEM | 20 | 539990365 | 2 | PIN-COTTER, 1/8 X 3/4 |
| | 539108882 | 2 | REAR TIRE ASM. Note! For non-european models (COMPLETE) (FOR MODEL 968999209) | 21 | 539108616 | 1 | BRAKE LEVER WLDMT |
| | 539107432 | 1 | TIRE, 23 X 8.5-12 | 22 | 539106969 | 1 | BRAKE CROSS SHAFT |
| | 539107392 | 1 | RIM | 23 | 539106971 | 1 | LINKAGE SHORT |
| | 539912234 | 1 | VALVE STEM | 24 | 539105036 | 1 | GRIP |
| 3 | 539101468 | 2 | HEX SLOTTED NUT | 25 | 539102843 | 3 | WASHER, 7/16 |
| 4 | 539977703 | 4 | CLEVIS PIN, 3/8 X 1 1/8 | 26 | 539977465 | 2 | YOKE |
| 5 | 539102415 | 2 | HUB, W/BRAKE DRUM | 27 | 539108619 | 1 | BUSHING |
| 6 | 539104288 | 2 | KEY-COTTER, 4 MM X 45 MM | 28 | 539990155 | 1 | NUT, 3/8F |
| 7 | 539104417 | 2 | WHEEL MOTOR | 29 | 539102797 | 2 | FLANGE BEARING |
| 8 | 539101332 | 8 | HCS 1/2C X 2 3/4 | 30 | 539976979 | 4 | NUT, 3/8C, NYLOC |
| 9 | 539102746 | 4 | PIN-CLEVIS, 3/8 X 2 | 31 | 539990563 | 4 | HCS 3/8C X 1 |
| 10 | 539102817 | 2 | SPRING-BRAKE COMPRESSION | 32 | 539990365 | 4 | COTTER PIN |
| 11 | 539102821 | 2 | PIN-TRUNION | 33 | 539990517 | 4 | WASHER 3/8, FLAT |
| 12 | 539102822 | 2 | BAND-BRAKE | 34 | 539990118 | 1 | LOCKWASHER, 3/8 |
| 13 | 539106873 | 2 | BRAKE BAND SUPPORT | 35 | 539106791 | 1 | HCS 3/8C X 1, GD 8 |
| 14 | 539106972 | 2 | LINKAGE | 36 | 539103547 | 1 | WASHER |
| 15 | 539106989 | 2 | MOTOR STANDOFF | 37 | 539990258 | 4 | NUT, 1/2C |
| | | | | 38 | 539990254 | 4 | LOCKWASHER, 1/2 |
| | | | | 39 | 539990622 | 4 | HCS 1/2 X 1 1/4, SERR WASHER |
| | | | | 40 | 539101331 | 4 | NUT, 1/2C, NYLOC |
| | | | | 41 | 539101151 | 1 | RING, 7/8, RET. |
| | | | | 42 | 539923787 | 1 | BUSHING, MACH. |
| | | | | 43 | 539105029 | 1 | BRACKET |
| | | | | 44 | 539990613 | 1 | NUT, 3/8C, WHIZ |
| | | | | 45 | 539976979 | 1 | NUT, 3/8C, NYLOC |
| | | | | 46 | 539990637 | 1 | HCS, 3/8C X 2 1/2 |
| | | | | 47 | 539990580 | 2 | HCS, 1/4C X 3/4 |
| | | | | 48 | 539976978 | 2 | NUT, 1/4C, NYLOC |

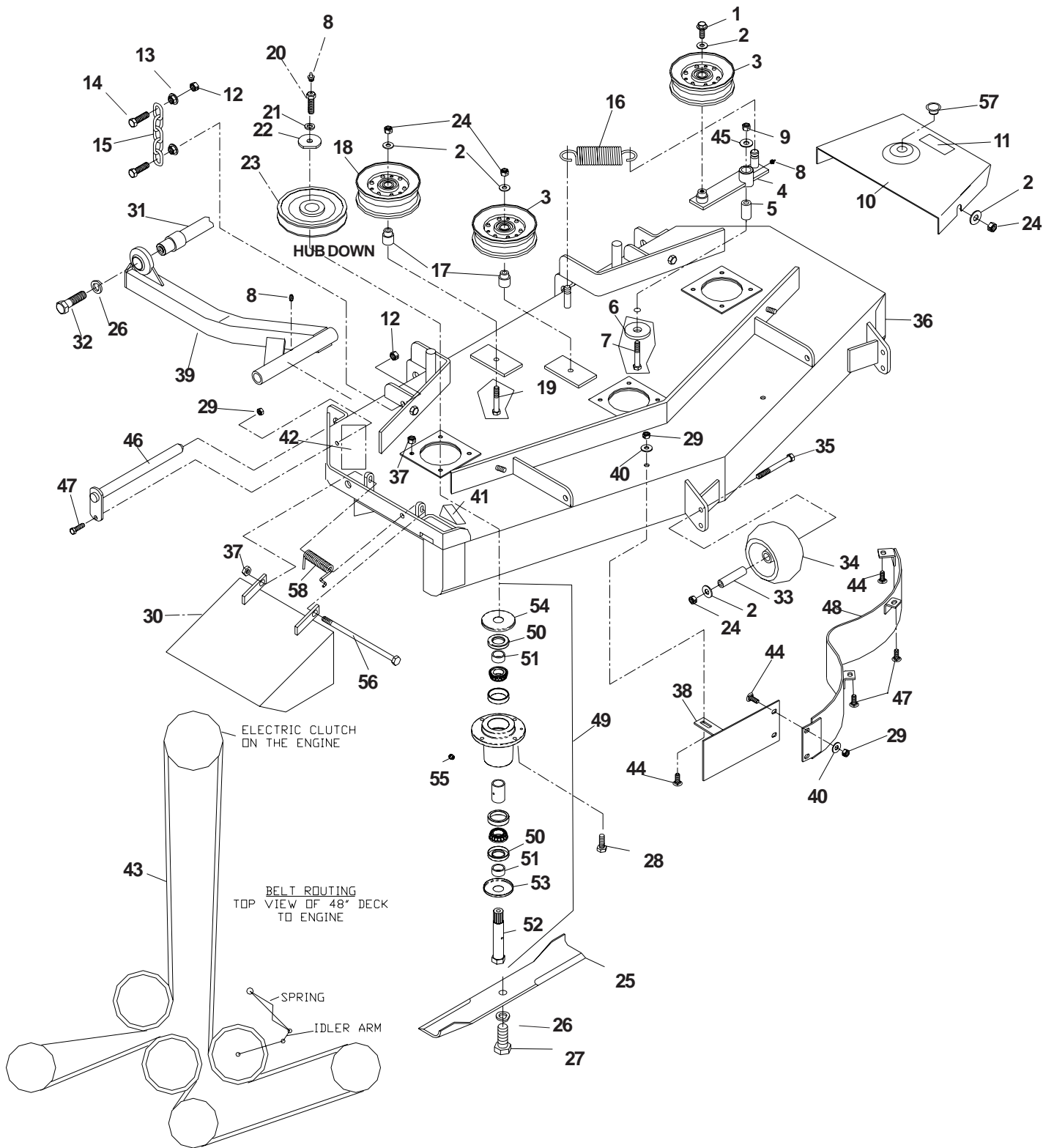
CASTER ARM



CASTER ARM

| ITEM | PART NO. | QTY. | DESCRIPTION |
|------|-----------|------|-------------------------|
| 1 | 539106986 | 1 | CASTER ARM |
| 2 | 539104571 | 1 | CASTER YOKE |
| 3 | 539104572 | 1 | TIRE & WHEEL ASSEMBLY |
| | 539102546 | 1 | TIRE |
| | 539104573 | 1 | RIM |
| | 539912234 | 1 | VALVE STEM |
| | 539976997 | 1 | ZERK |
| | 539102485 | 2 | FLANGE BEARING |
| | 539102484 | 2 | END CAPS |
| 4 | 539102856 | 1 | SPACER |
| 5 | 539102855 | 1 | HCS 1/2-13 X 7 1/2 |
| 6 | 539101331 | 1 | NUT 1/2C, NYLOC |
| 7 | 539102535 | 1 | GREASE CAP |
| 8 | 539102543 | 2 | BEARING |
| 9 | 539102851 | 1 | SEAL |
| 10 | 539102852 | 1 | NUT, 1"-14, SLOTTED JAM |
| 11 | 539101474 | 1 | ZERK |
| 12 | 539102889 | 1 | PIN, COTTER, 1/8 X 2 |
| 13 | 539100143 | 4 | HCS 7/16C X 1 |
| 14 | 539990839 | 4 | NUT, 7/16C, LOCK |

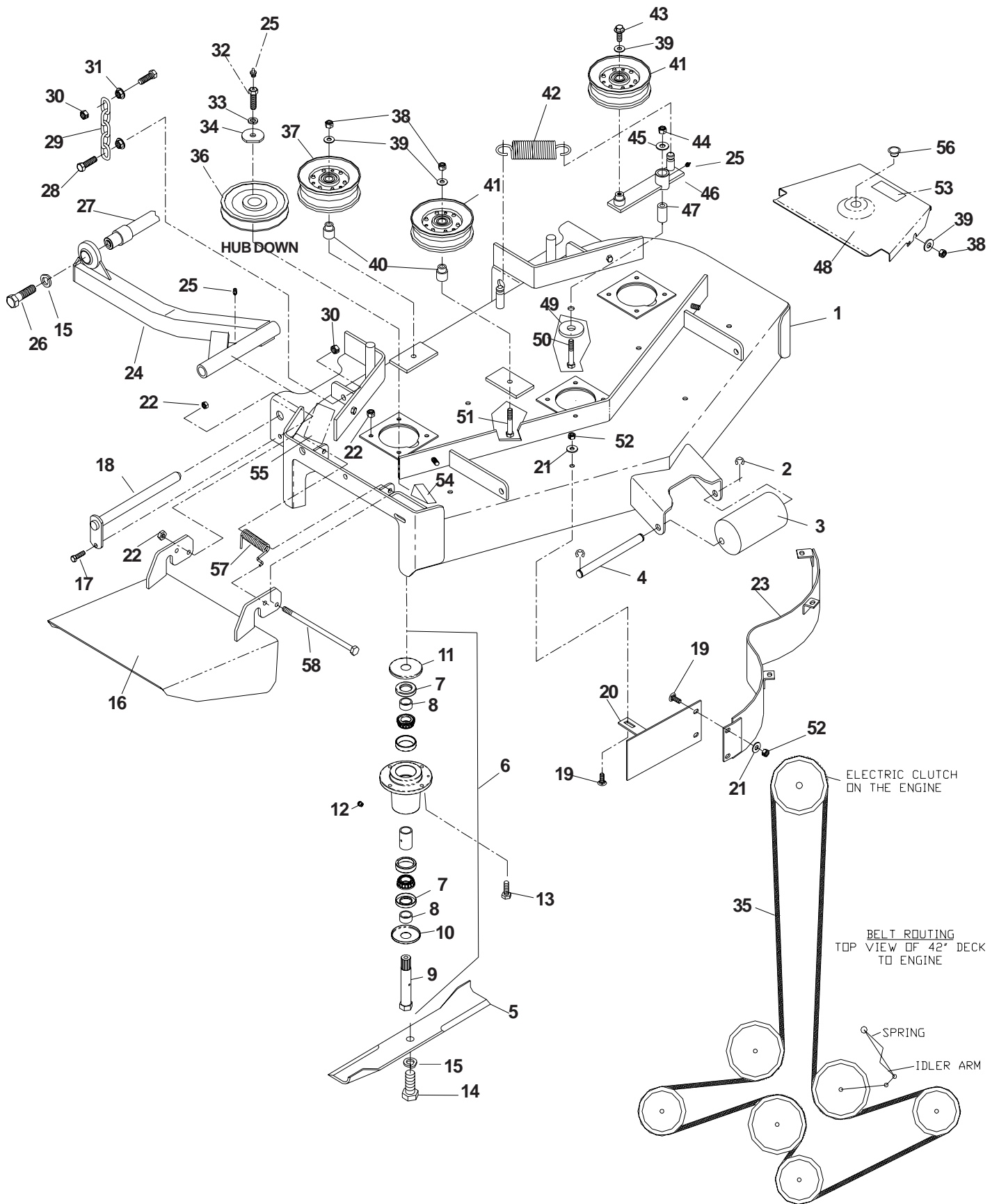
48" DECK ASSEMBLY



48" DECK ASSEMBLY

| ITEM | PART NO. | QTY. | DESCRIPTION | ITEM | PART NO. | QTY. | DESCRIPTION |
|------|-----------|------|-----------------------------------|------|-----------|------|---------------------------|
| 1 | 539990582 | 1 | HCS 3/8C X 1 SERRATED HD | 29 | 539990184 | 6 | NUT 5/16C CENTERLOCK |
| 2 | 539990517 | 9 | WASHER 3/8 FLAT | 30 | 539107350 | 1 | DEFLECTOR CHUTE |
| 3 | 539103257 | 2 | IDLER PULLEY | 31 | 539104197 | 1 | STRUT MOUNT |
| 4 | 539103230 | 1 | IDLER ARM | 32 | 539104199 | 2 | HCS 5/8C X 2 GR.5 |
| 5 | 539103427 | 1 | PIVOT BUSHING | 33 | 539102698 | 3 | BUSHING |
| 6 | 539102243 | 1 | SUPPORT WASHER | 34 | 539102643 | 2 | ANTI-SCALP ROLLER |
| 7 | 539103433 | 1 | HCS 1/2C X 3 1/4 | 35 | 539102754 | 3 | HCS 3/8C X 3 1/2 |
| 8 | 539976998 | 5 | ZERK | 36 | 539105779 | 1 | DECK W/DECALS |
| 9 | 539101331 | 1 | NUT 1/2C NYLOC | 37 | 539990717 | 13 | NUT 5/16C, NYLOC |
| 10 | 539108926 | 2 | BELT SHIELD, LEFT | 38 | 539105444 | 1 | CENTER BAFFLE |
| | 539108925 | 1 | BELT SHIELD, RIGHT (NOT SHOWN) | 39 | 539108350 | 1 | STRUT - RT |
| 11 | 539102892 | 2 | DECAL, NO STEP | | 539108351 | 1 | STRUT - LT (NOT SHOWN) |
| 12 | 539990839 | 8 | NUT 7/16C CENTERLOCK | 40 | 539990692 | 6 | 5/16 FLAT WASHER |
| 13 | 539102582 | 8 | 7/16C WHIZ NUT | 41 | 539913010 | 1 | DECAL, CPSC |
| 14 | 539101175 | 8 | HCS 7/16C X 1 1/2 | 42 | 539100344 | 1 | DECAL, DANGER |
| 15 | 539102641 | 4 | LIFT CHAIN | 43 | 539103687 | 1 | 48" DECK BELT |
| 16 | 539103256 | 1 | SPRING | 44 | 539990799 | 6 | CARRIAGE BOLT |
| 17 | 539103295 | 2 | IDLER BUSHING | 45 | 539990550 | 1 | WASHER 1/2 FLAT |
| 18 | 539103258 | 1 | IDLER PULLEY(TALL) | 46 | 539102619 | 2 | PIVOT PIN |
| 19 | 539102612 | 2 | HCS 3/8C X 2 3/4 | 47 | 539976934 | 4 | HCS 5/16C X 3/4 |
| 20 | 539108766 | 3 | HCS 7/16F X 1 1/2, SPEC. | 48 | 539105448 | 1 | MAIN BAFFLE |
| 21 | 539990247 | 3 | LOCKWASHER 7/16 | 49 | 539108762 | 3 | COMPLETE HOUSING |
| 22 | 539106504 | 3 | HEAVY WASHER | 50 | 539108754 | 2 | SHAFT SEAL |
| 23 | 539107276 | 3 | PULLEY | 51 | 539108758 | 2 | SPACER |
| 24 | 539976979 | 11 | NUT 3/8C, NYLOC | 52 | 539108759 | 1 | MINI SPINDLE |
| 25 | 539100340 | 3 | 16 1/4" BLADE | 53 | 539108449 | 1 | DUST CAP, BOTTOM |
| 26 | 539990333 | 3 | LOCKWASHER 5/8 | 54 | 539108450 | 1 | DUST CAP, TOP |
| 27 | 539103299 | 3 | HCS 5/8F X 1 1/4 | 55 | 539977326 | 1 | GREASE POPET |
| 28 | 539990627 | 12 | HCS 5/16C X 1 1/4 | 56 | 539105826 | 1 | HCS 5/16C X 7 |
| | | | | 57 | 539108382 | 2 | PLUG |
| | | | | 58 | 539105822 | 1 | SPRING, TORSION |

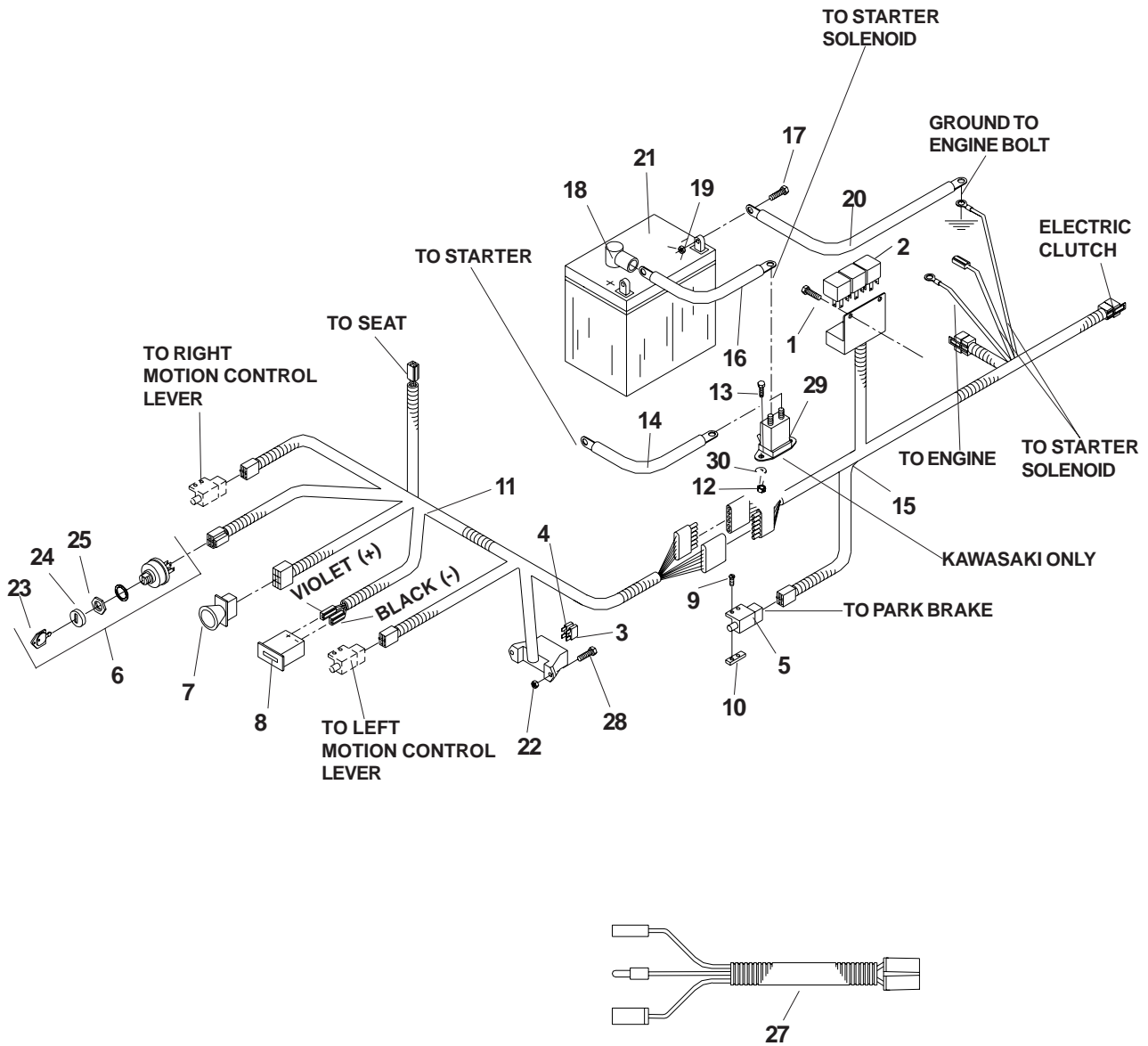
42" DECK ASSEMBLY



42" DECK ASSEMBLY

| ITEM | PART NO. | QTY. | DESCRIPTION | ITEM | PART NO. | QTY. | DESCRIPTION |
|-------|-----------|------|-----------------------------------|-------|-----------|------|--------------------------|
| 1 | 539105778 | 1 | DECK W/DECALS | 28 | 539101175 | 8 | HCS 7/16C X 1 1/2 |
| 2 | 539101949 | 2 | 1/2" E-RING | 29 | 539102641 | 4 | CHAIN |
| 3 | 539976828 | 1 | ROLLER, LONG | 30 | 539990839 | 8 | 7/16C CTR. LOCK |
| 4 | 539103437 | 1 | AXLE, ROLLER | 31 | 539102582 | 8 | 7/16C WHIZ NUT |
| 5 | 539103274 | 3 | BLADE 14 7/8" | 32 | 539108766 | 3 | HCS 7/16F X 1 1/2, SPEC. |
| 6 | 539108762 | 3 | CUTTER HOUSING, COMPLETE | 33 | 539990247 | 3 | 7/16 LOCKWASHER |
| 7 | 539108754 | 2 | SHAFT SEAL | 34 | 539106504 | 3 | WASHER |
| 8 | 539108758 | 2 | SPACER | 35 | 539103240 | 1 | BELT |
| 9 | 539108759 | 1 | MINI SPINDLE | 36 | 539107276 | 3 | PULLEY |
| 10 | 539108449 | 1 | DUST CAP, BOTTOM | 37 | 539103258 | 1 | IDLER PULLEY 1.62 |
| 11 | 539108450 | 1 | DUST CAP, TOP | 38 | 539976979 | 6 | NUT 3/8C, NYLOC |
| 12 | 539977326 | 1 | GREASE POPET | 39 | 539990517 | 7 | WASHER 3/8 STD. |
| 13 | 539990627 | 14 | HCS 5/16C X 1 1/4 | 40 | 539103295 | 2 | IDLER BUSHING |
| 14 | 539103299 | 3 | HCS 5/8F X 1 1/4 | 41 | 539103257 | 2 | IDLER PULLEY 1.31 |
| 15 | 539990333 | 5 | LOCKWASHER | 42 | 539103256 | 1 | SPRING |
| 16 | 539105361 | 1 | DISCHARGE CHUTE | 43 | 539990582 | 1 | HCS 3/8C X 1 |
| 17 | 539976934 | 2 | HCS 5/16C X 3/4 | 44 | 539101331 | 1 | NUT 1/2C NYLOC |
| 18 | 539102619 | 2 | PIVOT PIN | 45 | 539990550 | 1 | WASHER 1/2 STD. |
| 19 | 539990799 | 4 | CARRIAGE BOLT 5/16 X 5/8 | 46 | 539103230 | 1 | IDLER ARM |
| 20 | 539105435 | 1 | CENTER BAFFLE | 47 | 539103427 | 1 | PIVOT BUSHING |
| 21 | 539990692 | 6 | WASHER 5/16C, NYLOC | 48 | 539108938 | 1 | BELT SHIELD, LEFT |
| 22 | 539990717 | 14 | NUT 5/16 CTR. LOCK | | 539108937 | 1 | BELT SHIELD, RIGHT |
| 23 | 539105439 | 1 | MAIN BAFFLE | | | | (NOT SHOWN) |
| 24 | 539108350 | 1 | STRUT - RIGHT | 49 | 539102243 | 1 | SUPPORT WASHER |
| | 539108351 | 1 | STRUT - LEFT | 50 | 539103433 | 1 | HCS 1/2C X 3 1/4 |
| | | | (NOT SHOWN) | 51 | 539102612 | 2 | HCS 3/8C X 2 3/4 |
| 25 | 539976998 | 5 | 1/4-28 ZERK | 52 | 539990184 | 6 | HLN 5/16C |
| 26 | 539104199 | 2 | HCS 5/16C X 2 | 53 | 539102892 | 2 | DECAL, NO STEP |
| 27 | 539104197 | 1 | STRUT MT. WLD. | 54 | 539913010 | 1 | DECAL, CPSC |
| | | | | 55 | 539100344 | 1 | DECAL, DANGER |
| | | | | 56 | 539108382 | 2 | PLUG |
| | | | | 57 | 539105822 | 1 | SPRING, TORSION |
| | | | | 58 | 539105836 | 1 | HCS 5/16C X 11 |

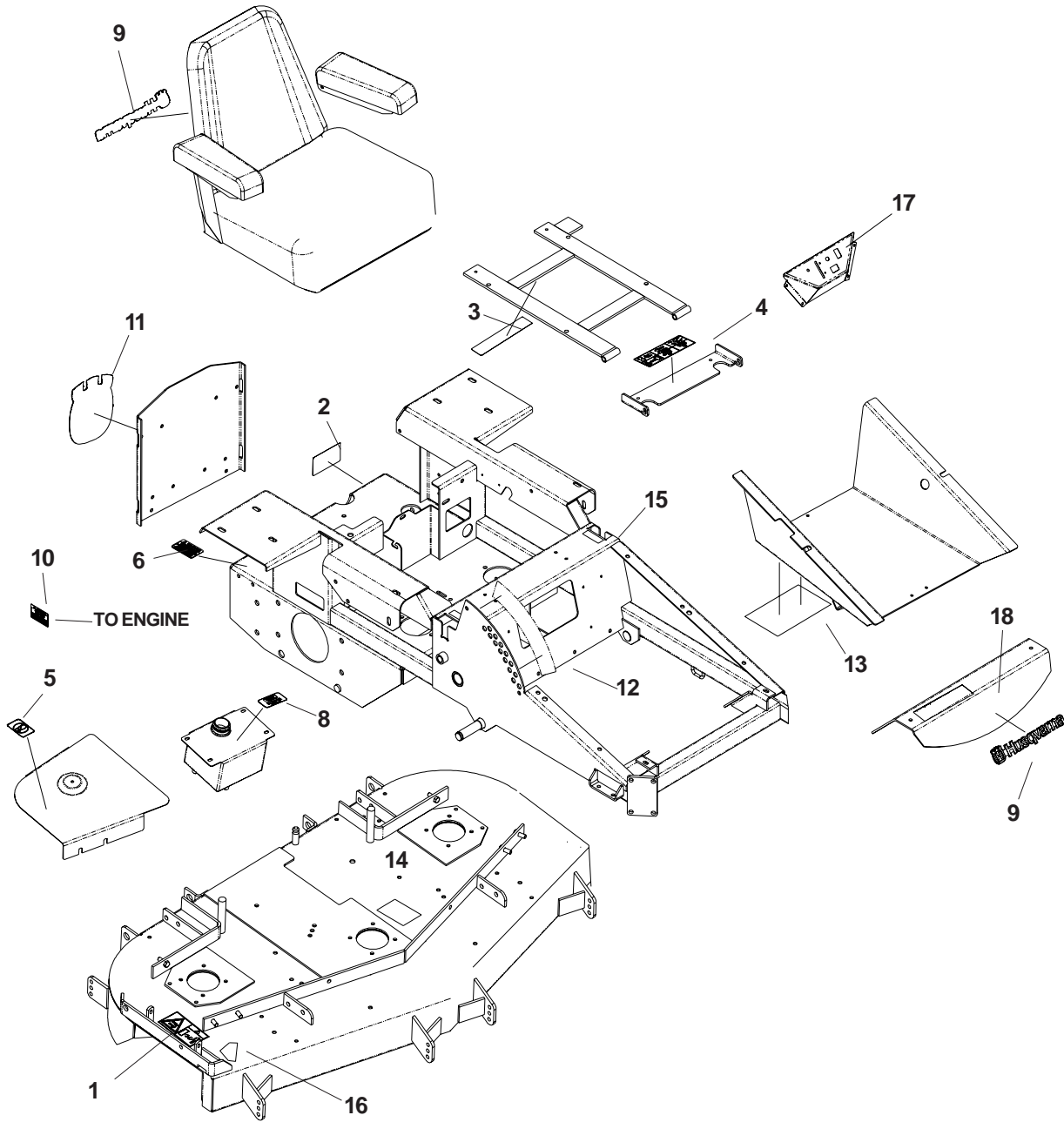
WIRING ASSEMBLY



WIRING ASSEMBY

| ITEM | PART NO. | QTY. | DESCRIPTION |
|----------|-----------------|---------|---|
| 1. | 539991034 | 3 | #10 X 1/2 SELF TAPPING |
| 2. | 539102914 | 3 | RELAY |
| 3. | 539101771 | 1 | 7.5 AMP 32 VOLT ATO FUSE |
| 4. | 539102086 | 1 | 20 AMP 32 VOLT ATO FUSE |
| 5. | 539101080 | 3 | INTERLOCK SWITCH |
| 6. | 539101770 | 1 | IGNITION SWITCH (INCLUDES WASHER, NUT, & STD. KEY) (DOES NOT INCLUDE ITEMS 23, 24) |
| 7. | 539101768 | 1 | BLADE SWITCH |
| 8. | 539108016 | 1 | HOUR METER |
| 9. | 539976952 | 6 | #10-24 X 5/8 |
| 10. | 539102678 | 3 | TAPPED PLATE |
| 11. | 539104414 | 1 | HARNESS, CONSOLE |
| 12. | 539990372 | 5 | NUT 1/4C CENTERLOCK |
| 13. | 539990072 | 2 | HCS 1/4C X 5/8 (KAWASAKI ONLY) |
| 14. | 539104974 | 1 | CABLE POSITIVE (KAWASAKI ONLY) |
| | 539102757 | 1 | CABLE POSITIVE (KOHLER ONLY) |
| 15. | 539104964 | 1 | HARNESS, FRAME |
| 16. | 539103306 | 1 | CABLE POSITIVE, LONG |
| 17. | 539976934 | 2 | HCS 5/16C X 3/4 |
| 18. | 539102759 | 1 | INSULATOR |
| 19. | 539990184 | 2 | NUT 5/16C CENTERLOCK |
| 20. | 539102758 | 1 | CABLE NEG. |
| 21. | 539102463 | 1 | BATTERY |
| 22. | 539976977 | 2 | NUT #10, NYLOC |
| 23 | 539104812 | 1 | KEY, PADDED |
| 24 | 539103178 | 1 | COVER |
| 25 | 539103177 | 1 | NUT |
| 27 | 539104415 | 1 | PIGTAIL FOR ENG. WIRING (KAWASAKI ONLY) |
| 28 | 539102617 | 2 | SCREW, #10C X 7/8 |
| 29 | 539101714 | 1 | SOLENOID (KAWASAKI ONLY) |
| 30 | 539990053 | 2 | LOCKWASHER, 1/4, INTERNAL TOOTH |

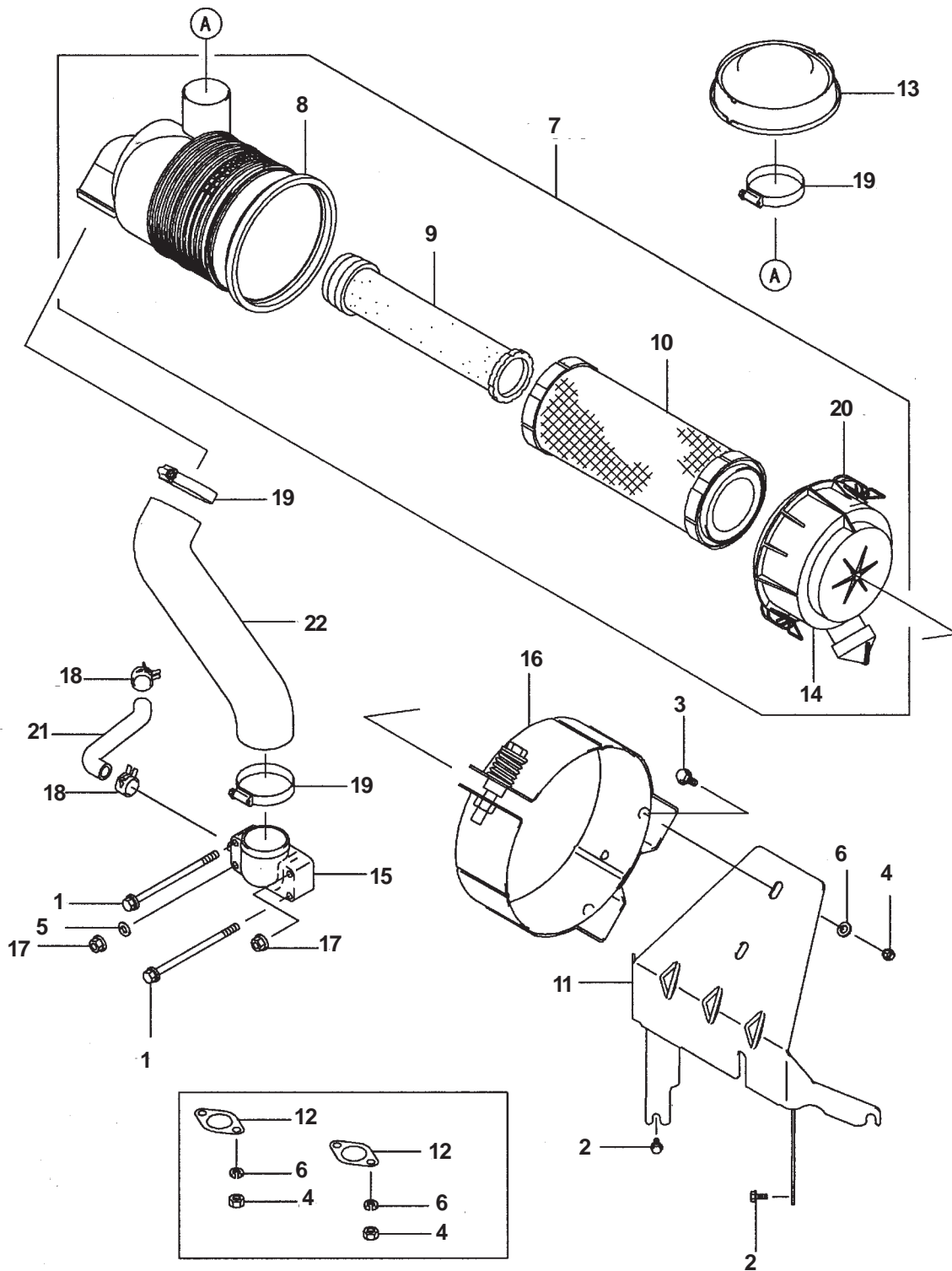
DECALS



DECALS

| ITEM | PART NO. | QTY. | DESCRIPTION |
|------|-----------|------|-------------------------------|
| 1 | 539105746 | 1 | DECAL, SEVERING |
| 2 | 539105744 | 1 | DANGER DECAL, BELT DRIVES |
| 3 | 539105745 | 1 | DECAL, BATTERY WARNING |
| 4 | 539105785 | 1 | DECAL, WARNING |
| 5 | 539105743 | 2 | DECAL, NO STEP |
| 6 | 539101881 | 1 | PROP. 65 |
| 8 | 539105301 | 1 | MOBIL DECAL |
| 9 | 539104787 | 2 | DECAL, HUSQVARNA |
| 10 | 539100128 | 1 | EXHAUST DECAL |
| 11 | 539105803 | 1 | DECAL, CROWN |
| 12 | 539108267 | 1 | DECAL, HEIGHT ADJ. |
| 13 | 539107289 | 1 | DECAL, SERVICE |
| 14 | 539107288 | 1 | DECAL, BELT ROUTING |
| 15 | 539103333 | 2 | DECAL, MOTION CONTROL |
| 16 | 539913010 | 1 | DECAL, DANGER |
| 17 | 539106483 | 1 | DECAL, CONSOLE |
| 18 | 539107743 | 1 | DECAL, iZ4218 |
| | 539107745 | 1 | DECAL, iZ4821 |
| | 539102670 | 1 | DECAL, FUEL VALVE (NOT SHOWN) |

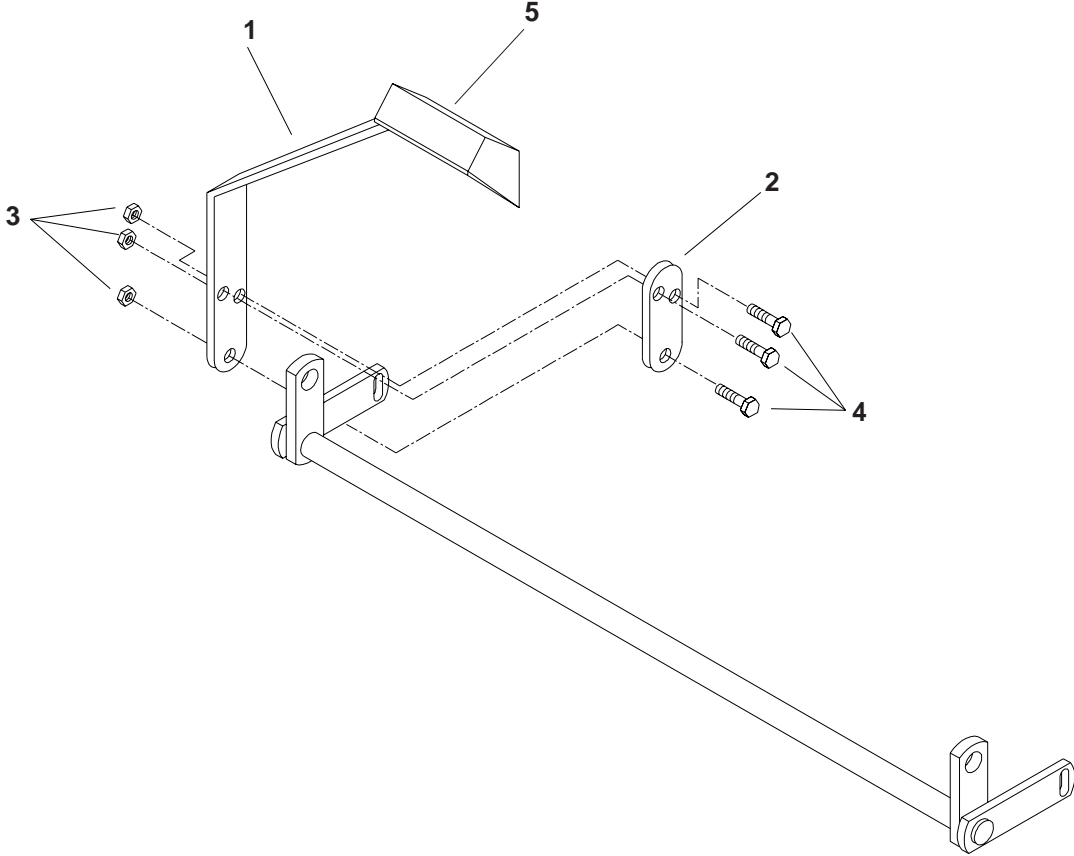
HEAVY DUTY AIR FILTER



HEAVY DUTY AIR FILTER

| ITEM | PART NO. | QTY. | DESCRIPTION |
|------|-----------|------|--------------------|
| 1 | 535414263 | 2 | BOLT, FLANGED |
| 2 | 725236661 | 2 | BOLT, FLANGED |
| 3 | 535414268 | 2 | BOLT, FLANGED |
| 4 | 535414363 | 6 | NUT, HEX, SMALL |
| 5 | 535414368 | 1 | WASHER, PLAIN |
| 6 | 535414372 | 6 | WASHER, SPRING |
| 7 | 535466418 | 1 | AIR FILTER ASSY. |
| 8 | 535466419 | 1 | AIR FILTER CASE |
| 9 | 535466420 | 1 | AIR FILTER ELEMENT |
| 10 | 535466421 | 1 | AIR FILTER ELEMENT |
| 11 | 535466422 | 1 | BRACKET |
| 12 | 535466423 | 2 | MUFFLER GASKET |
| 13 | 535466424 | 1 | CAP |
| 14 | 535466425 | 1 | CAP |
| 15 | 535466426 | 1 | INTAKE PIPE |
| 16 | 535466427 | 1 | BRACKET COMPL. |
| 17 | 535414536 | 2 | NUT |
| 18 | 535414444 | 2 | CLAMP |
| 19 | 535466428 | 3 | CLAMP |
| 20 | 535466429 | 2 | CLAMP |
| 21 | 535414498 | 1 | TUBE |
| 22 | 535466430 | 1 | TUBE |

LIFT PEDAL



| ITEM | PART NO. | QTY. | DESCRIPTION |
|------|-----------|------|------------------|
| 1 | 539105549 | 1 | Lift Pedal W/pad |
| 2 | 539105552 | 1 | Tightening Plate |
| 3 | 539976979 | 3 | Nut 3/8C Nyloc |
| 4 | 539990655 | 3 | HCS 3/8C X 1 1/2 |
| 5 | 539105187 | 1 | Pad, non-skid |