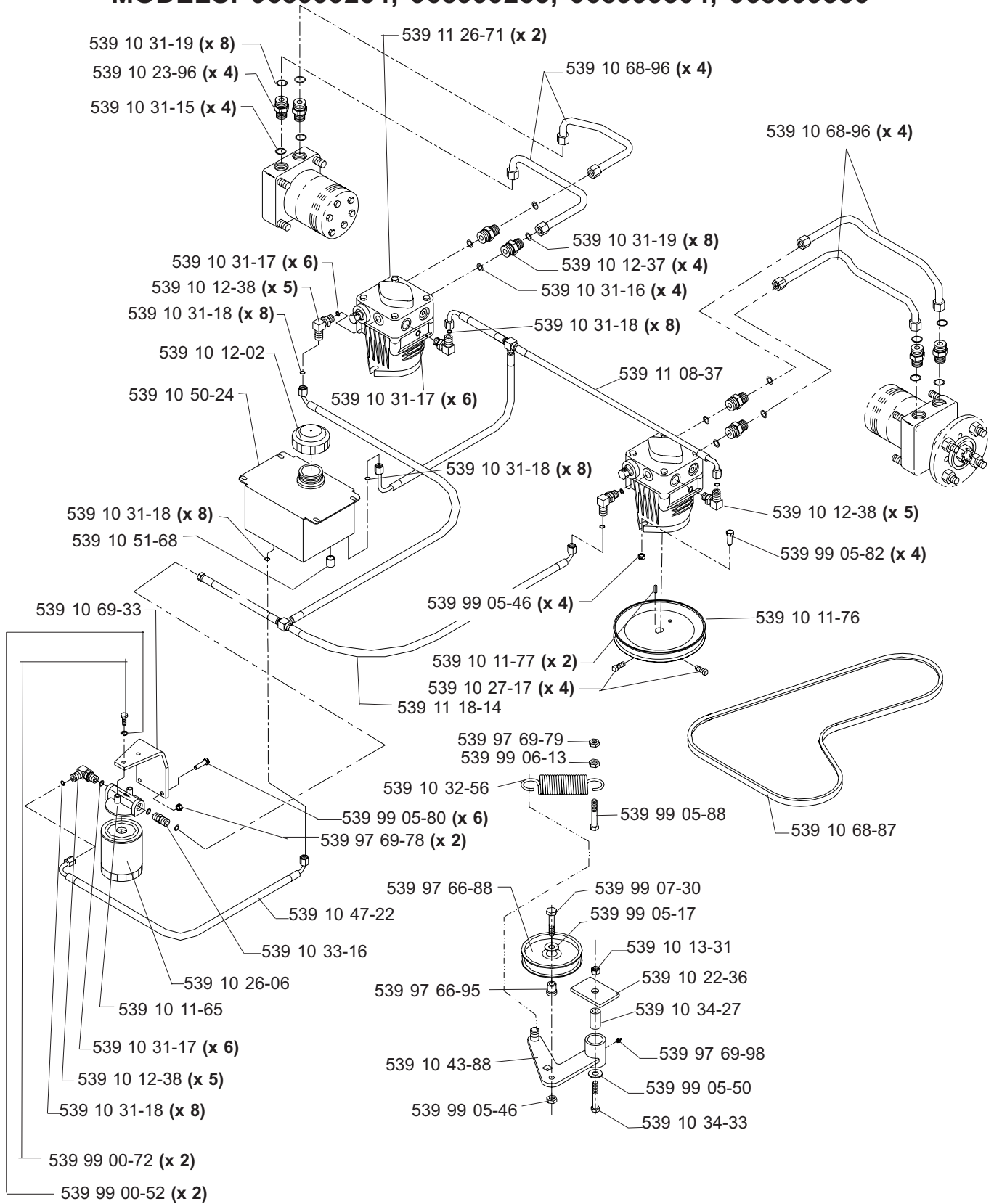
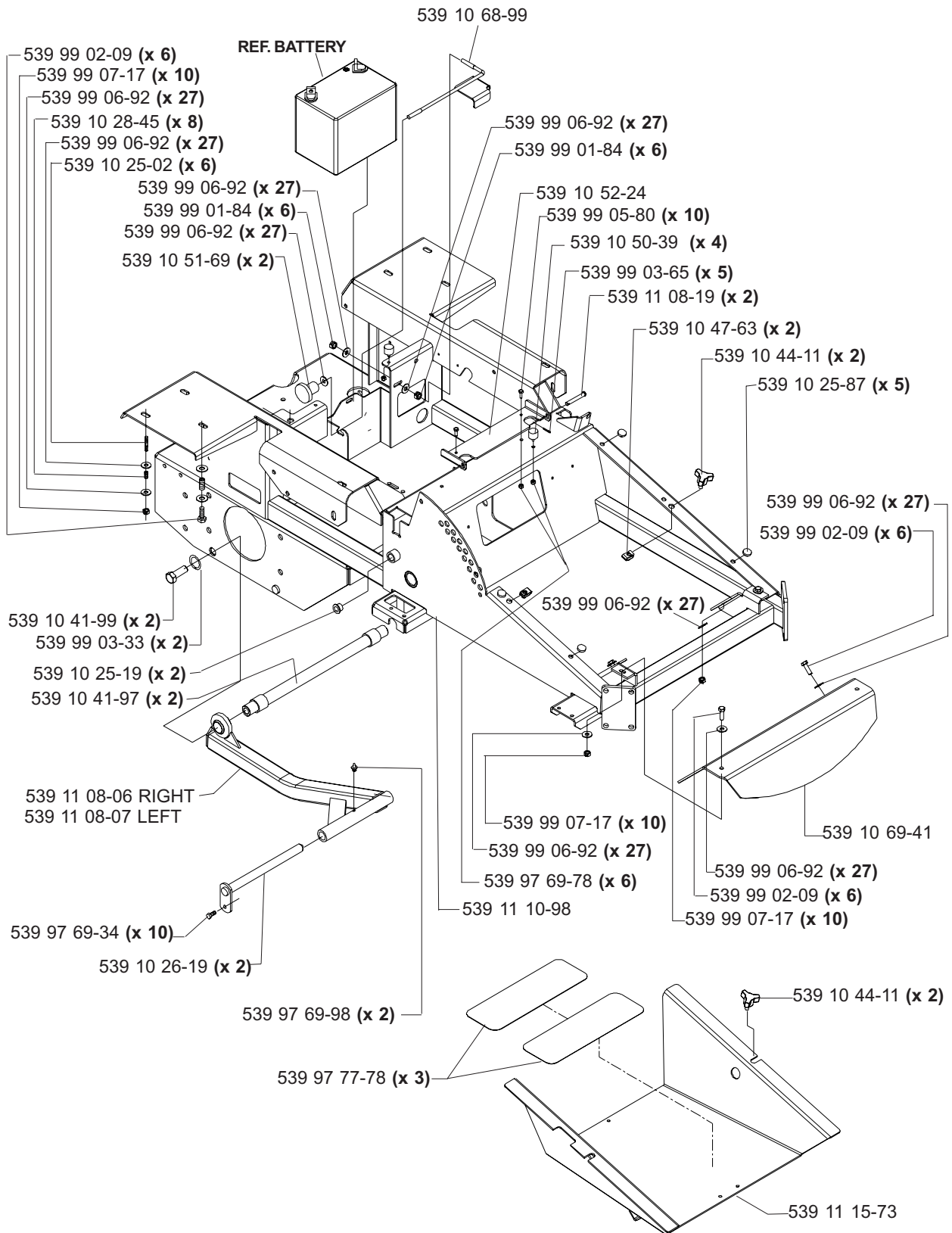


HYDRAULIC ASSEMBLY (TE)

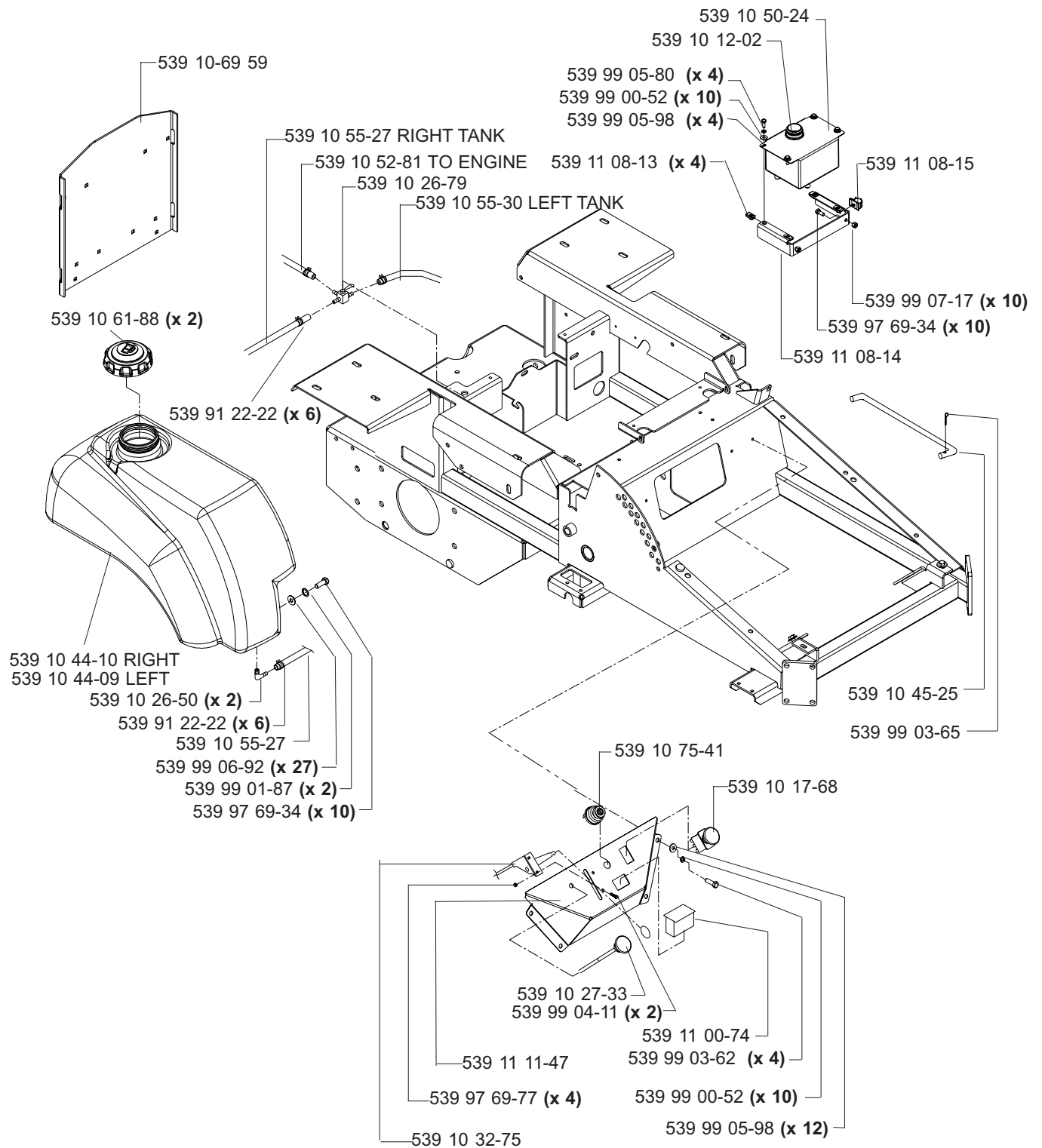
MODELS: 968999254, 968999255, 968999304, 968999356



MAIN FRAME ASSEMBLY



MAIN FRAME ASSEMBLY

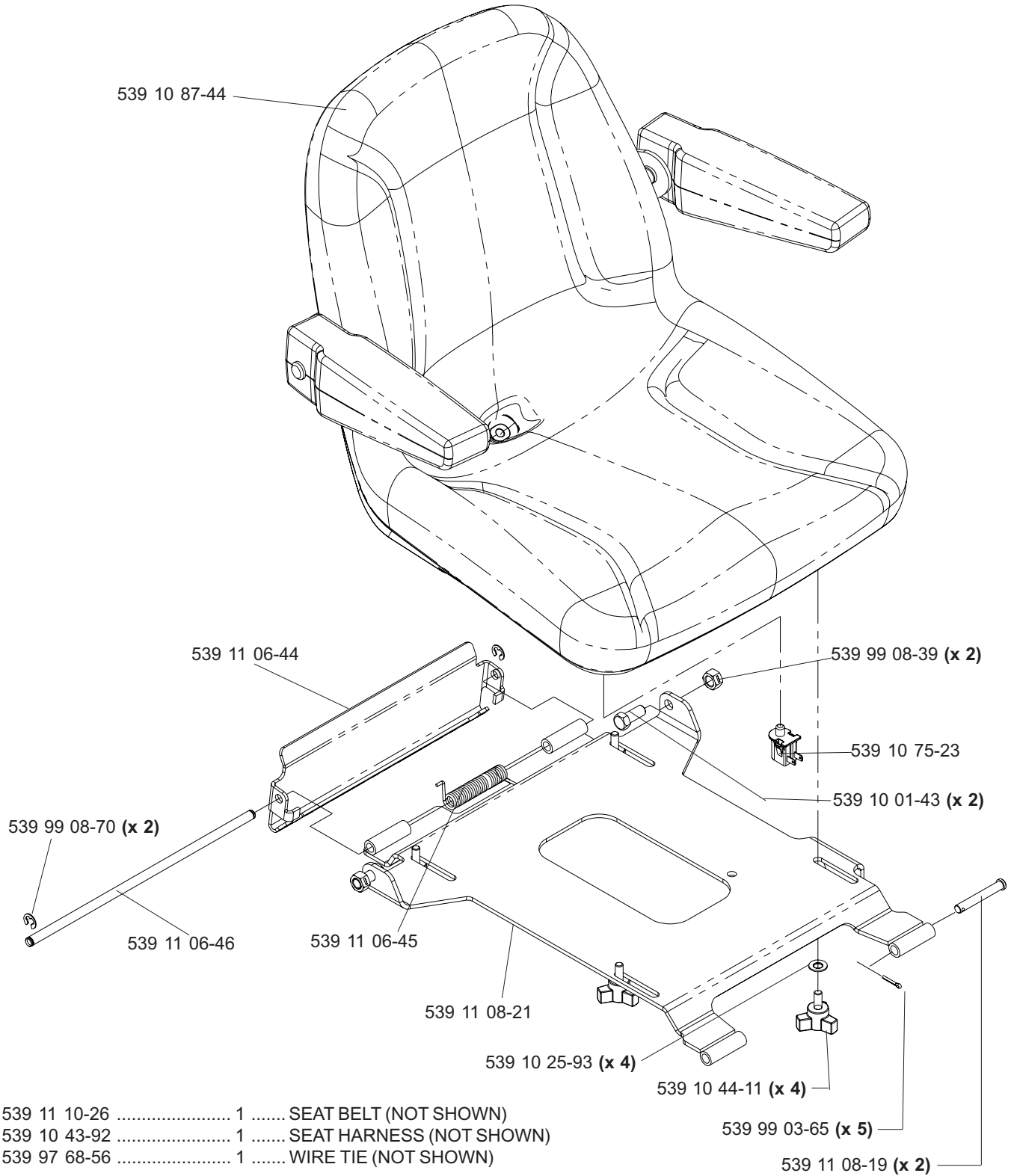


NOT SHOWN:

- 539 11 26-54 FLOOR PAN PAD, MODEL 968999307 ONLY
- 539 11 26-55 FOOT REST PAD, MODEL 968999307 ONLY

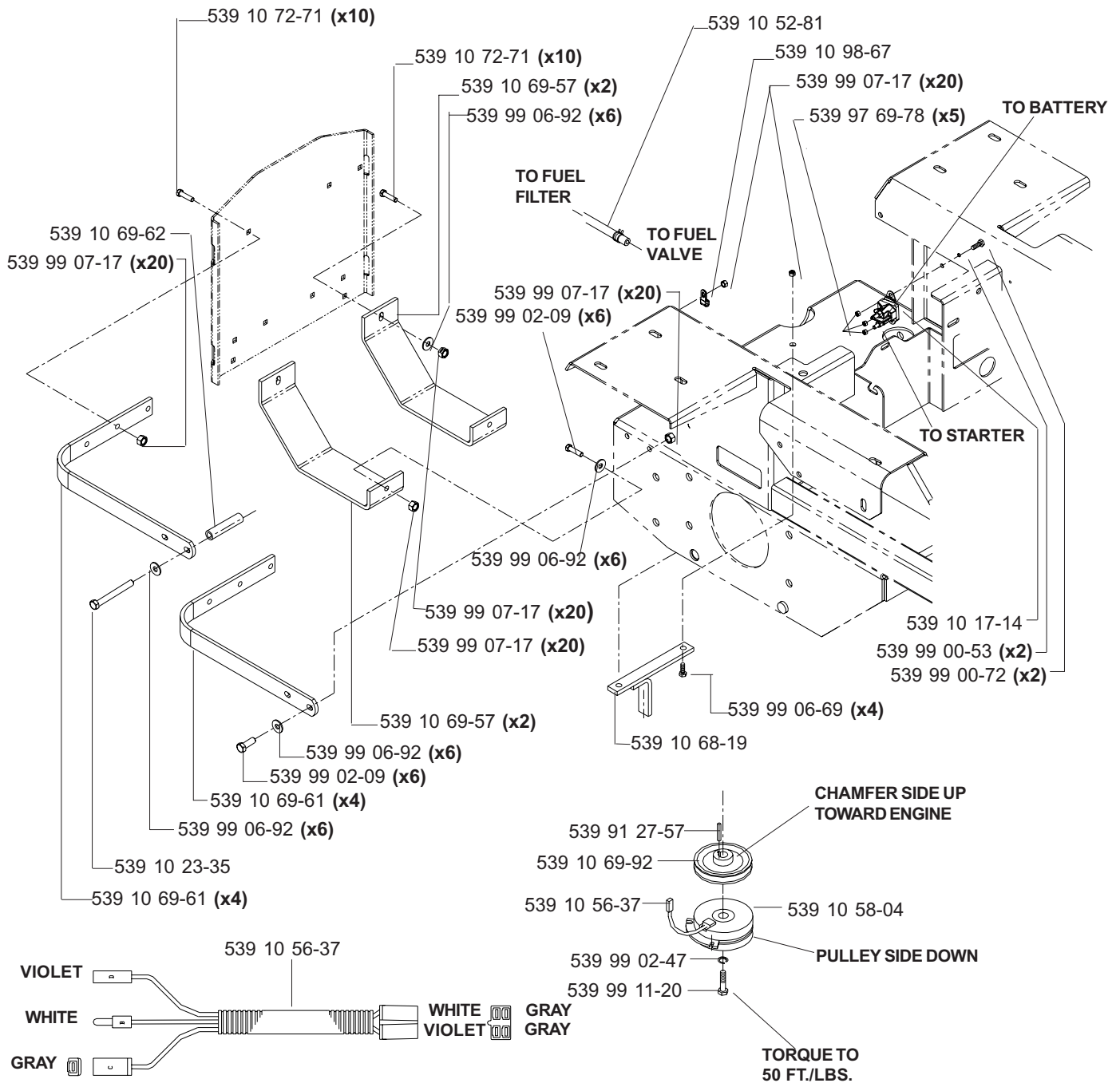
SEAT ASSEMBLY

MODELS: 968999254, 968999255, 968999304, 968999356

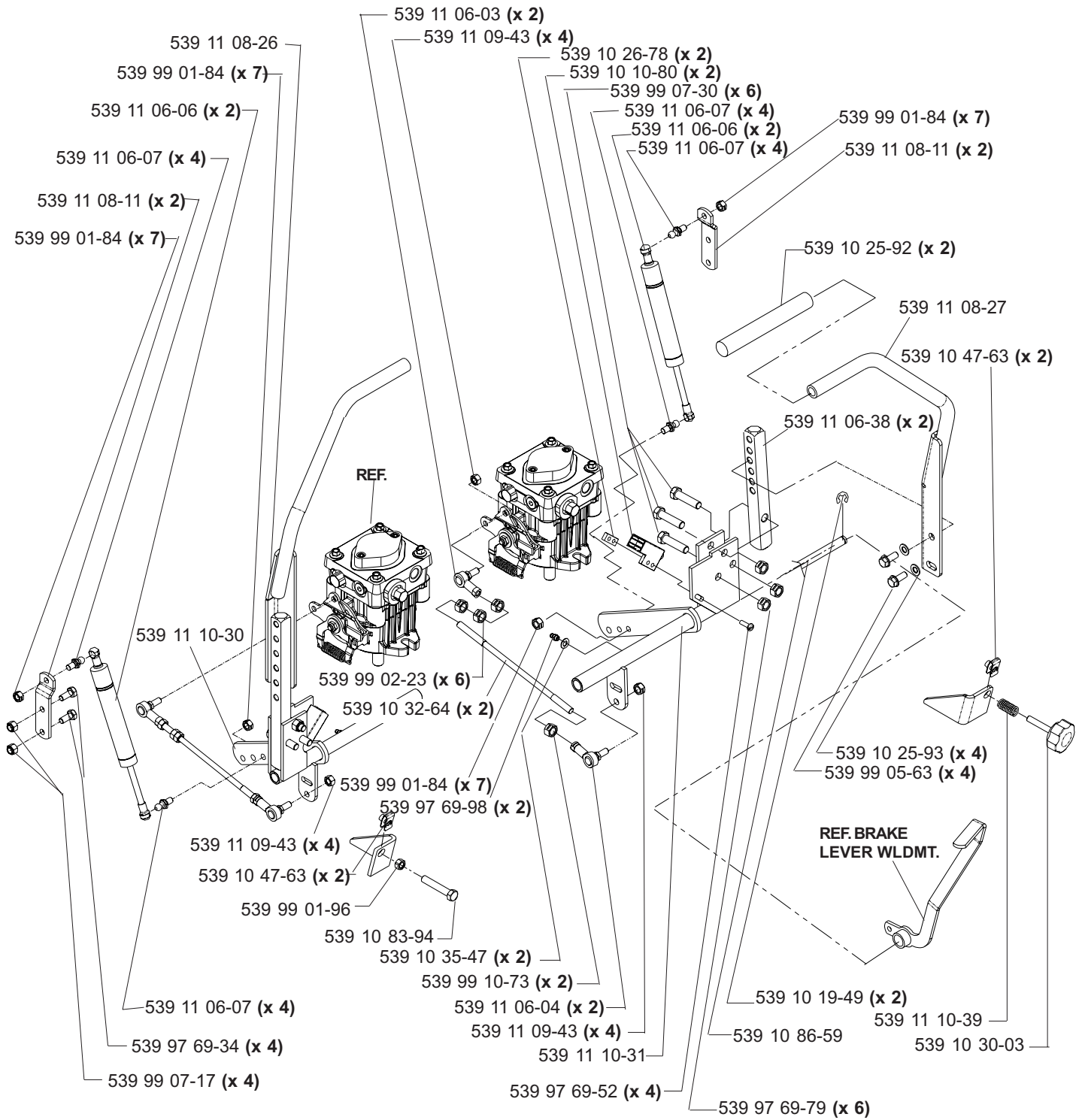


KAWASAKI 17 & 19 HP ENGINE ASSEMBLY

MODELS: 968999254, 968999255, 968999304, 968999356

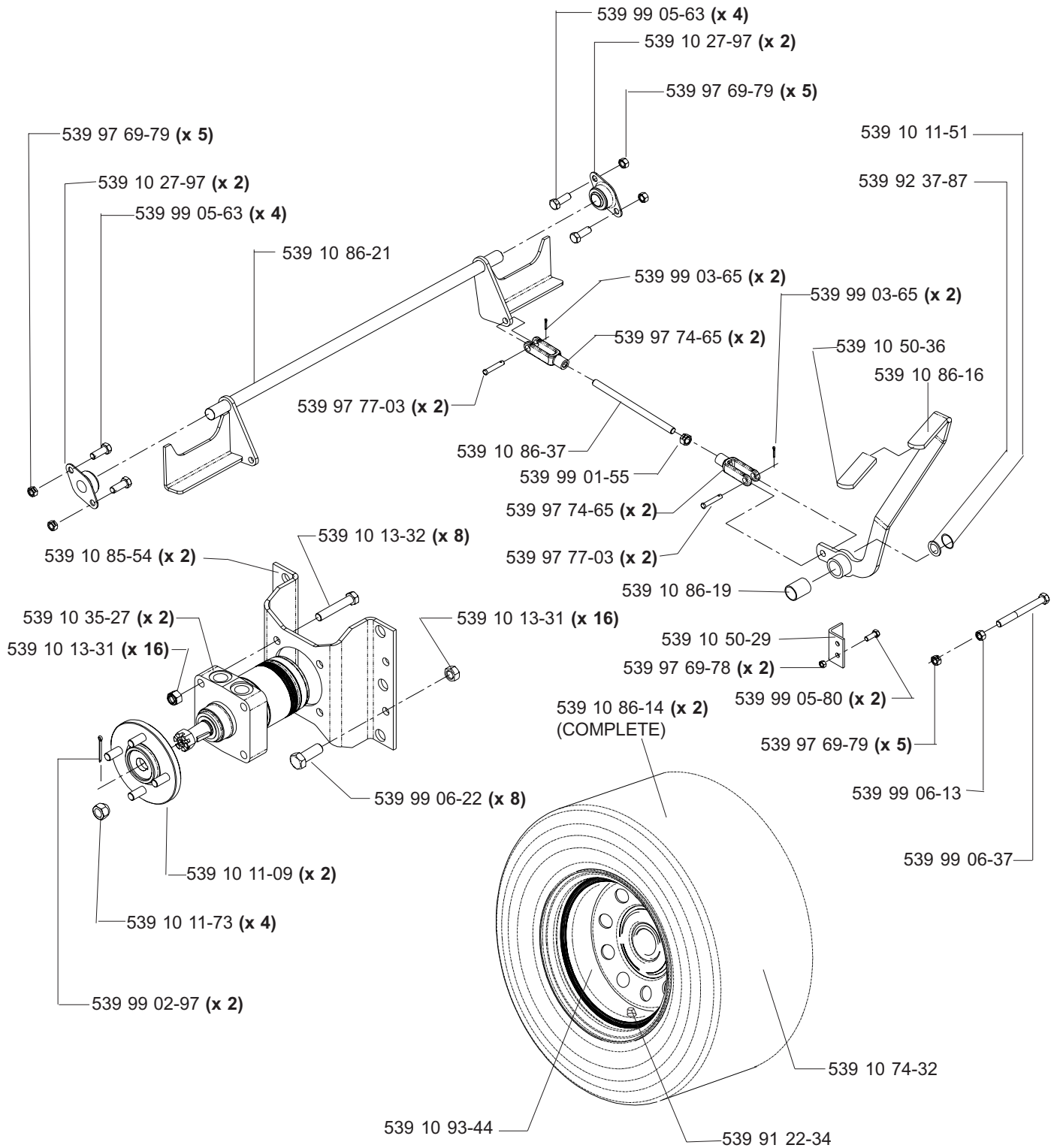


MOTION CONTROL ASSEMBLY



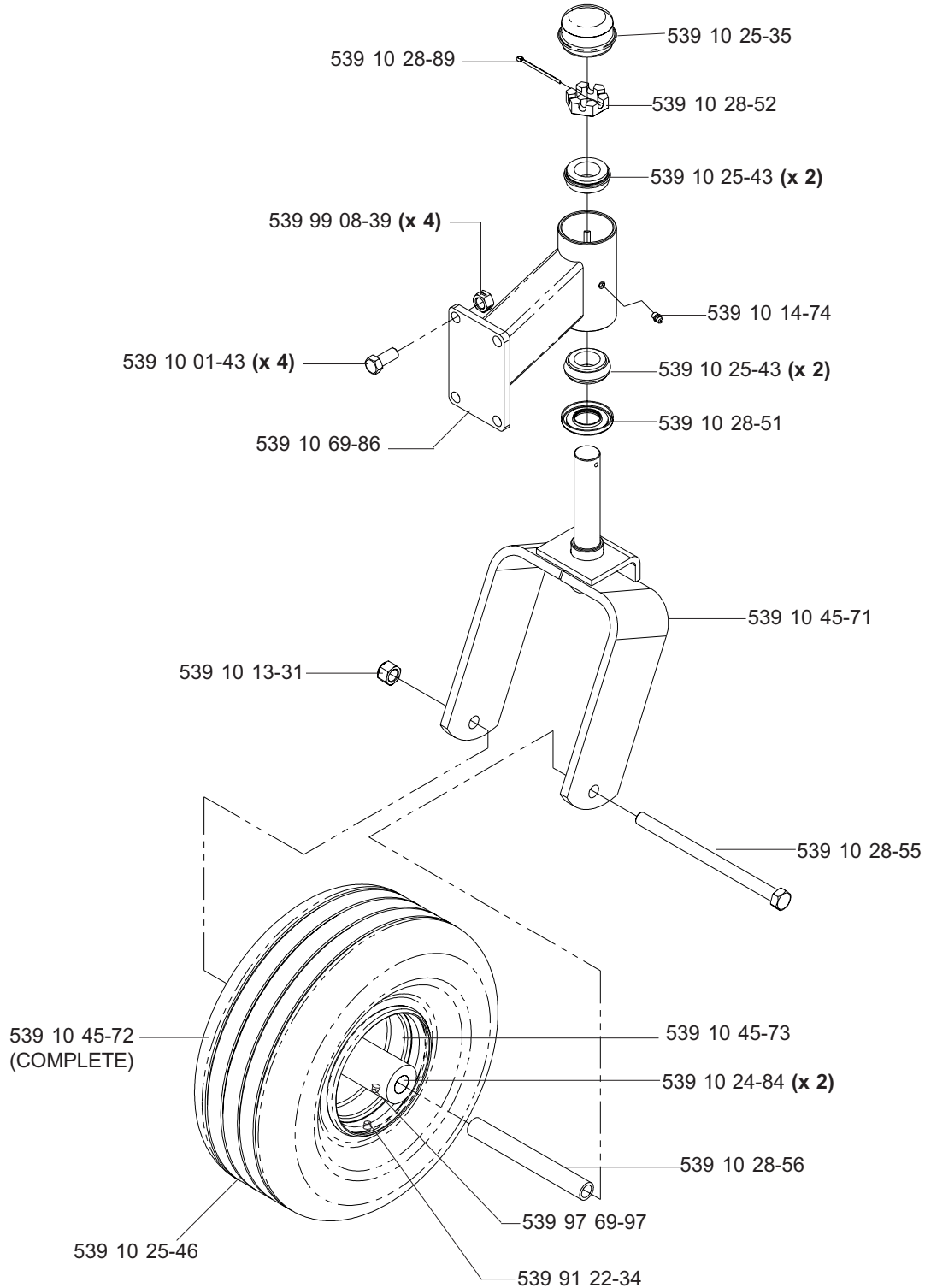
PARK BRAKE ASSEMBLY (TE)

MODELS: 968999254, 968999255, 968999304, 968999356

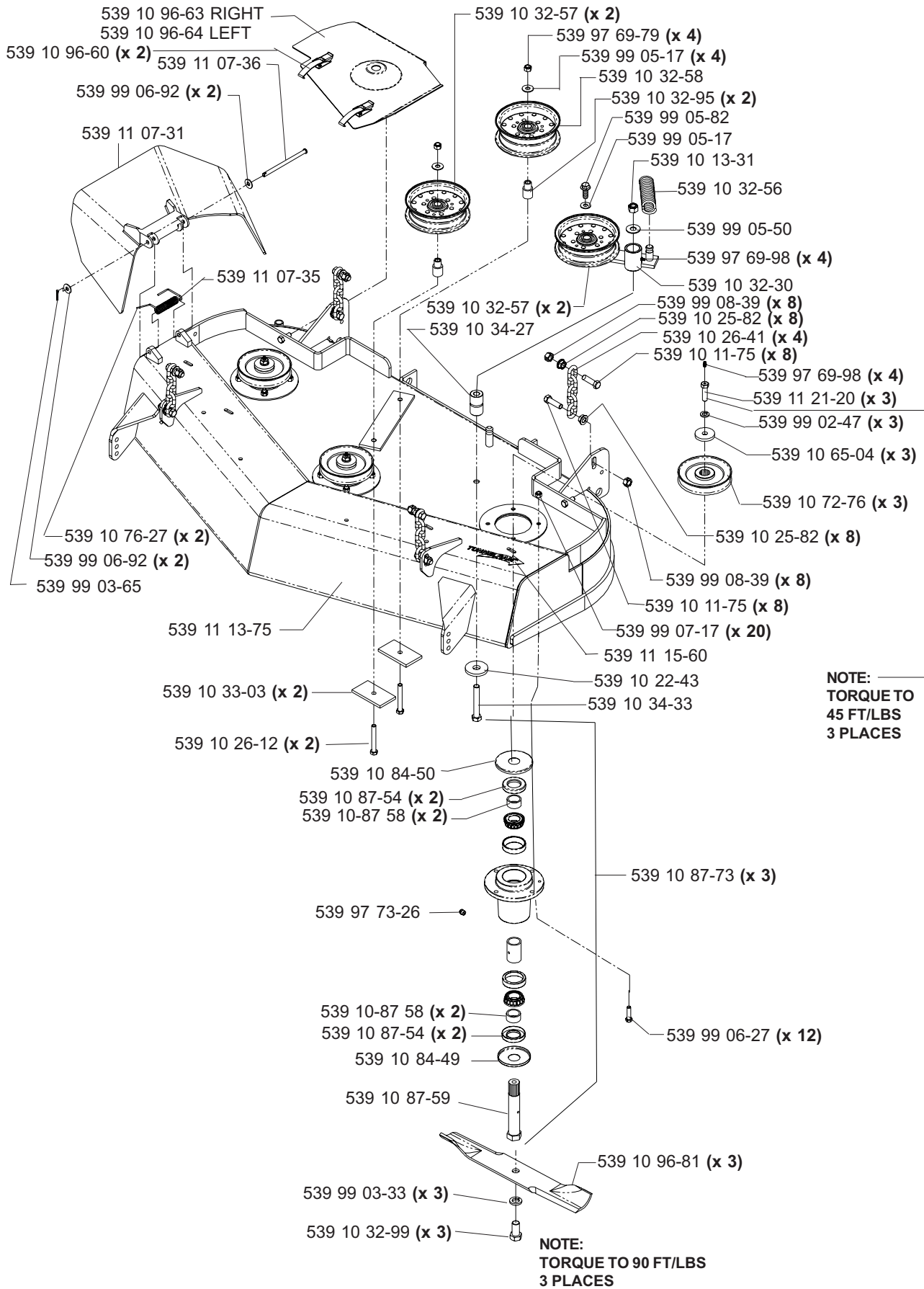


CASTER ARM

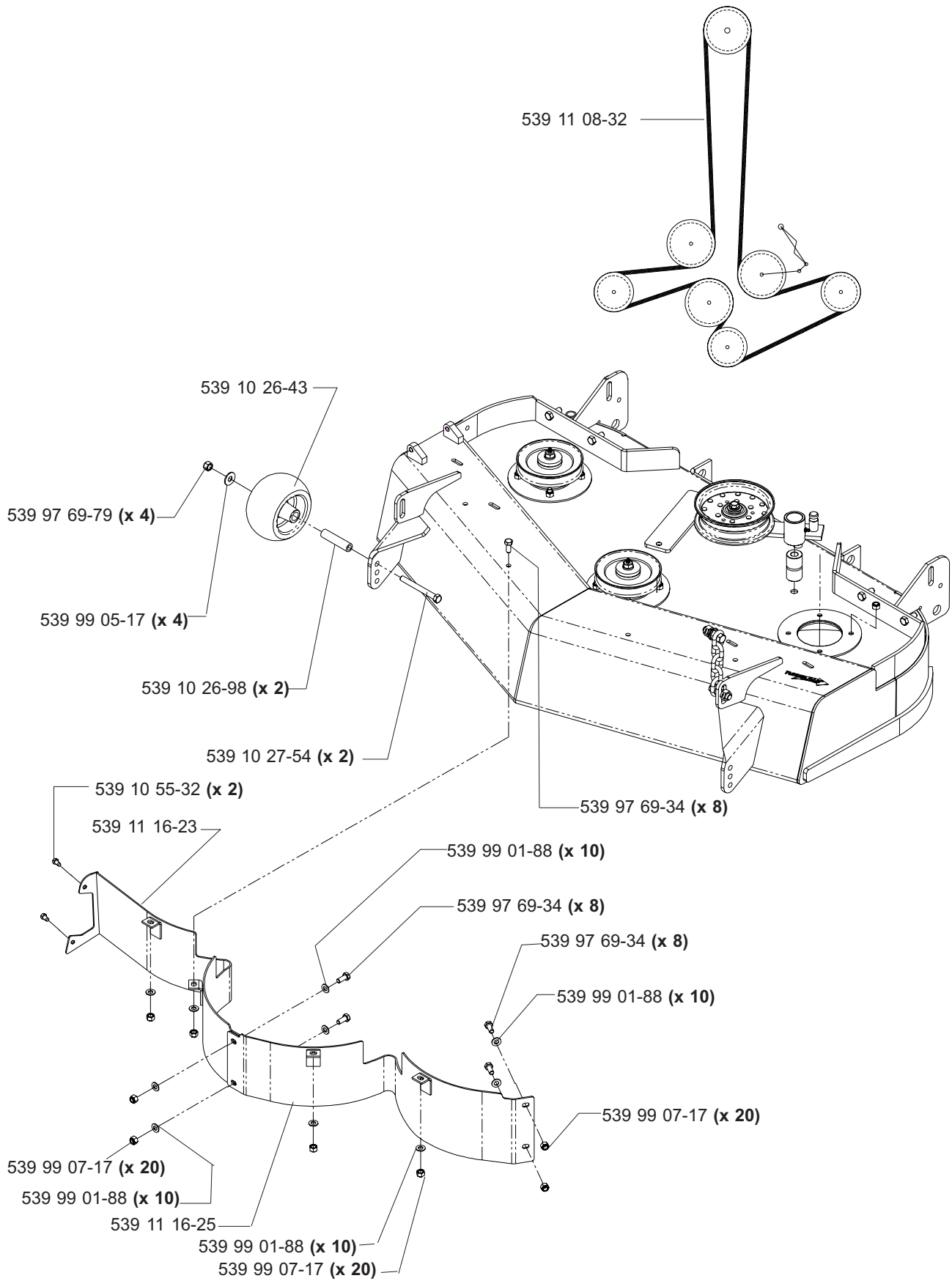
**MODELS: 968999254, 968999255, 968999256, 968999258, 968999304,
968999305, 968999307, 968999332, 968999368, 968999375,
968999356**



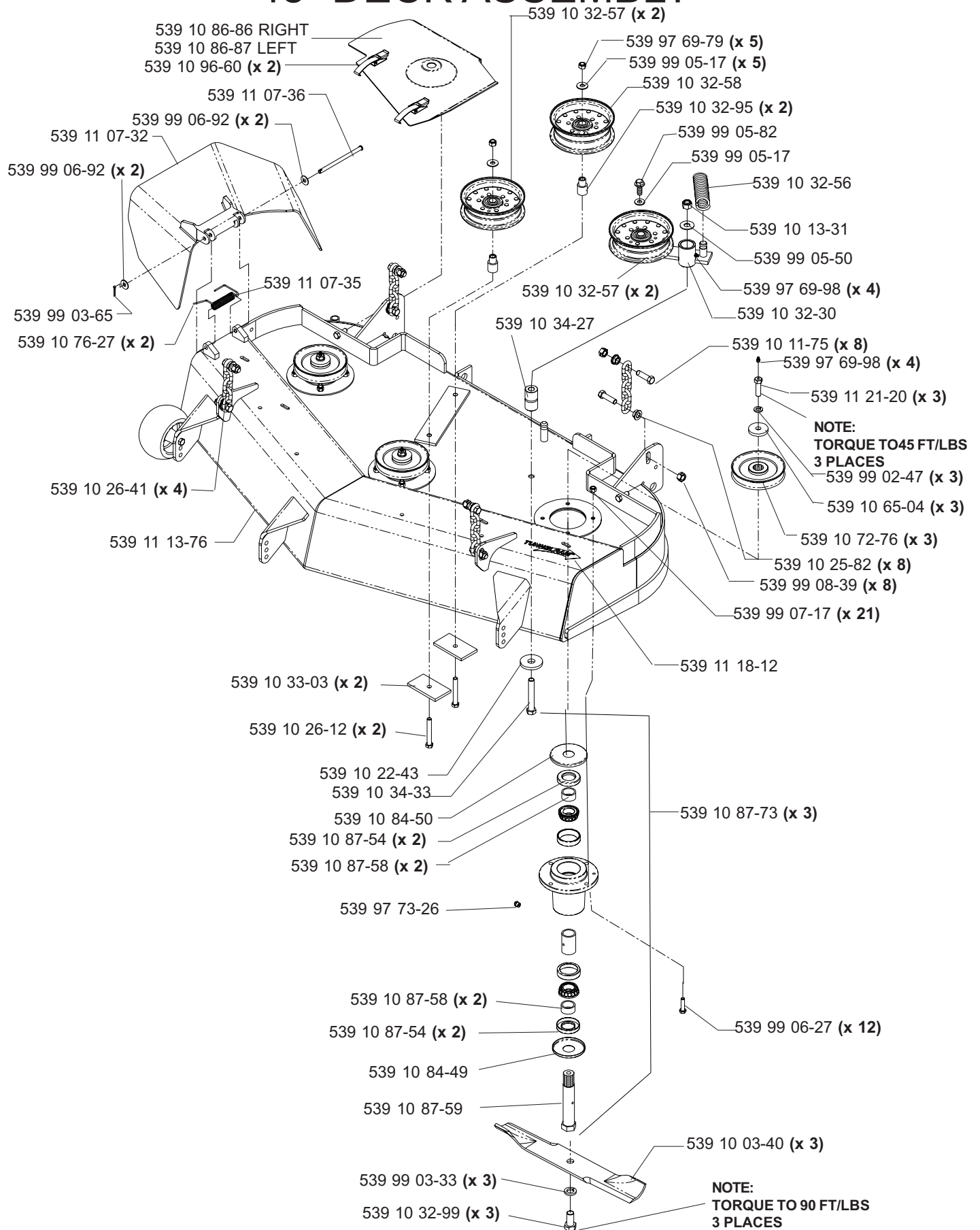
42" DECK ASSEMBLY



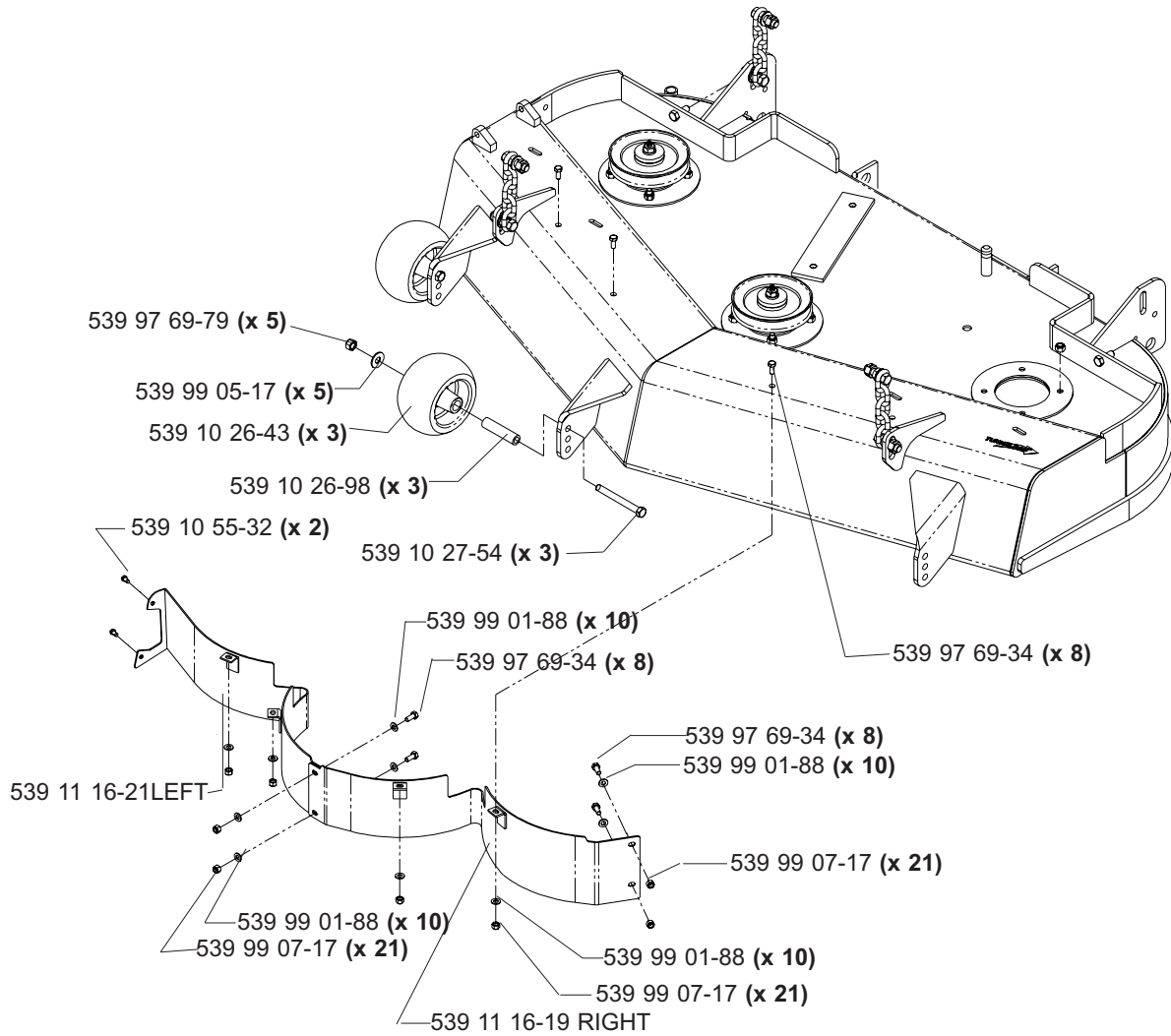
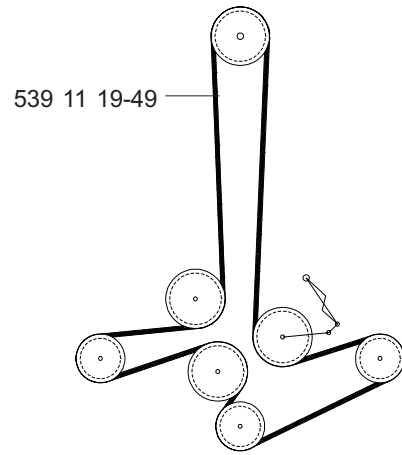
42" DECK ASSEMBLY



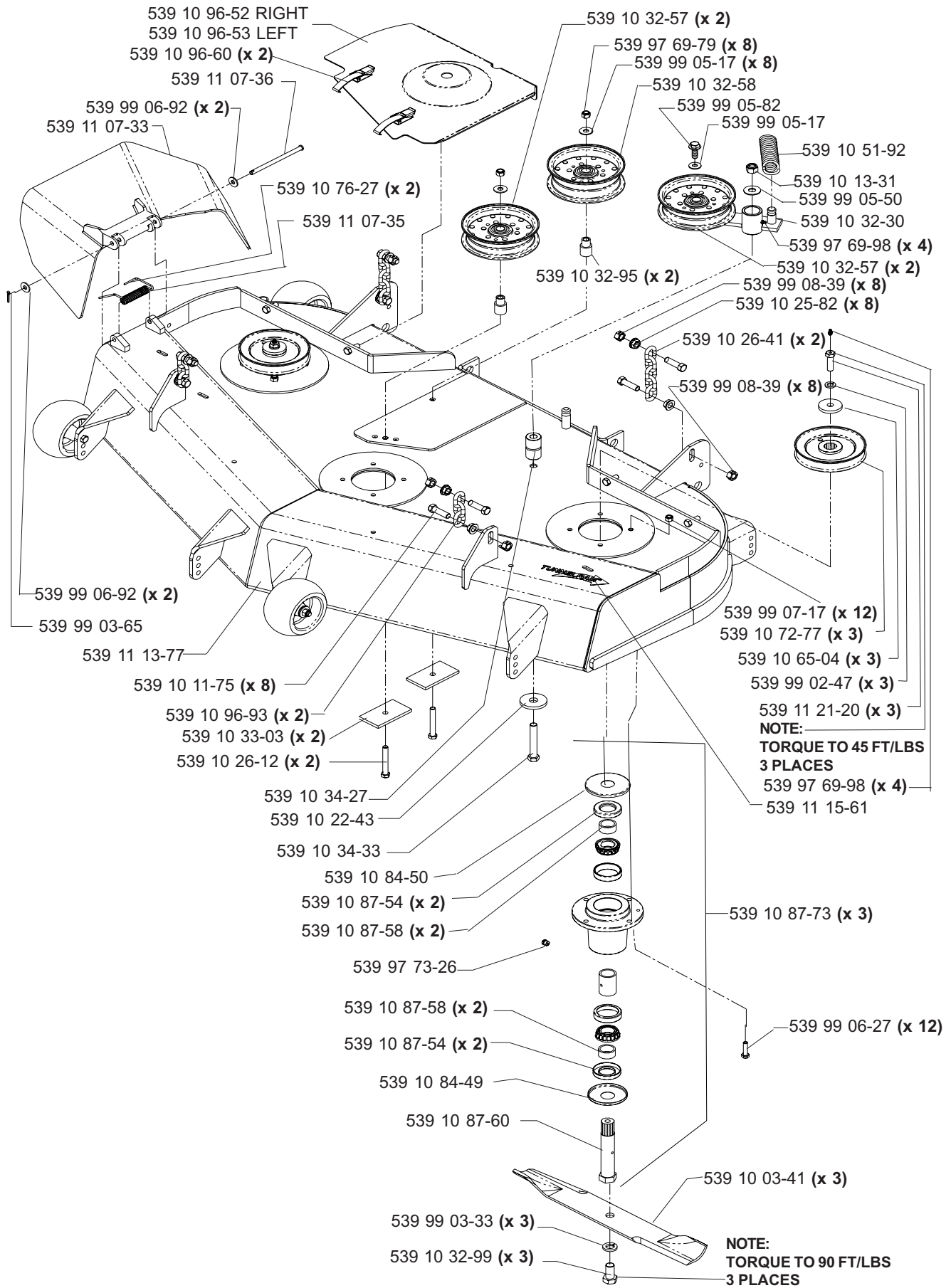
48" DECK ASSEMBLY



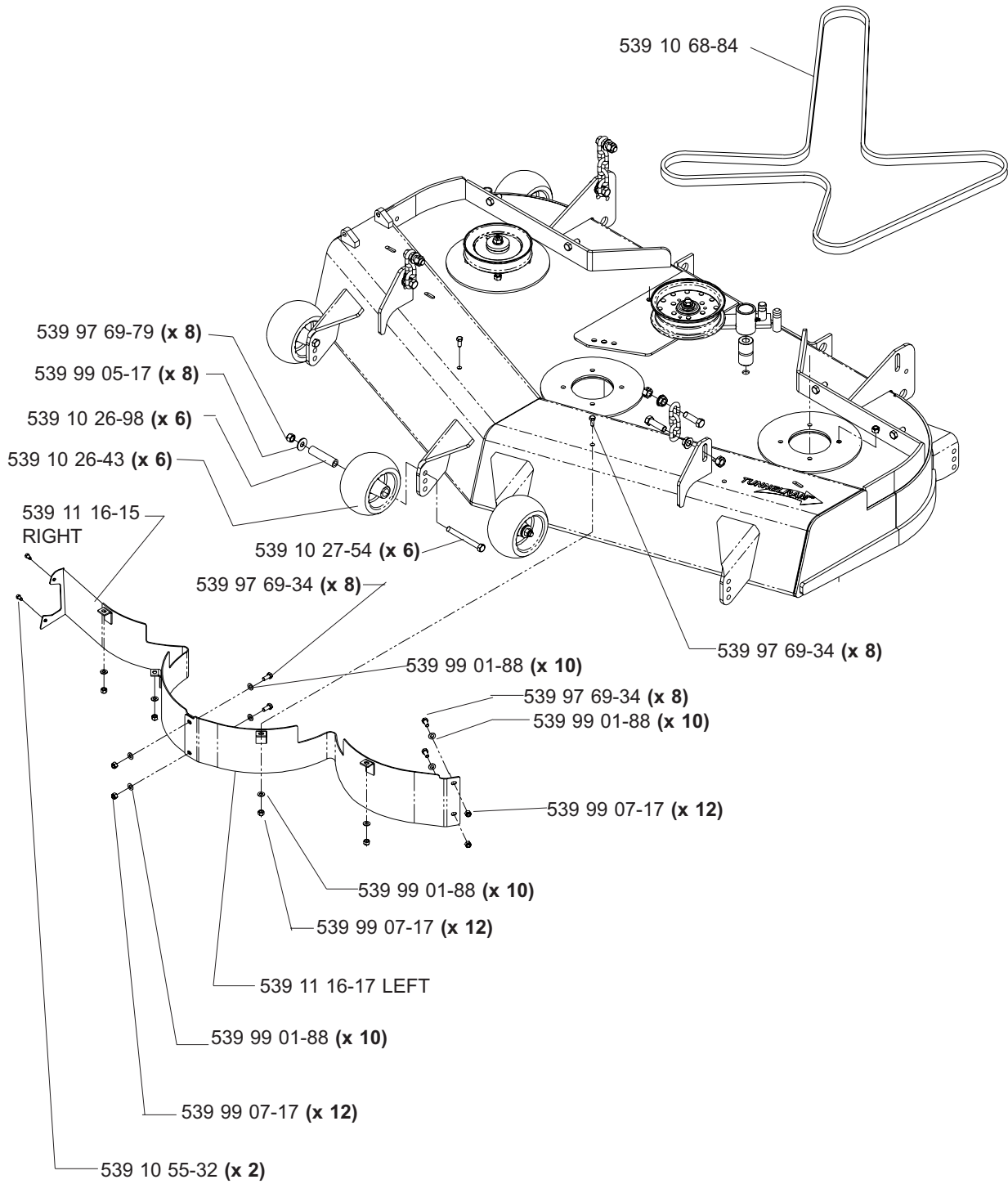
48" DECK ASSEMBLY



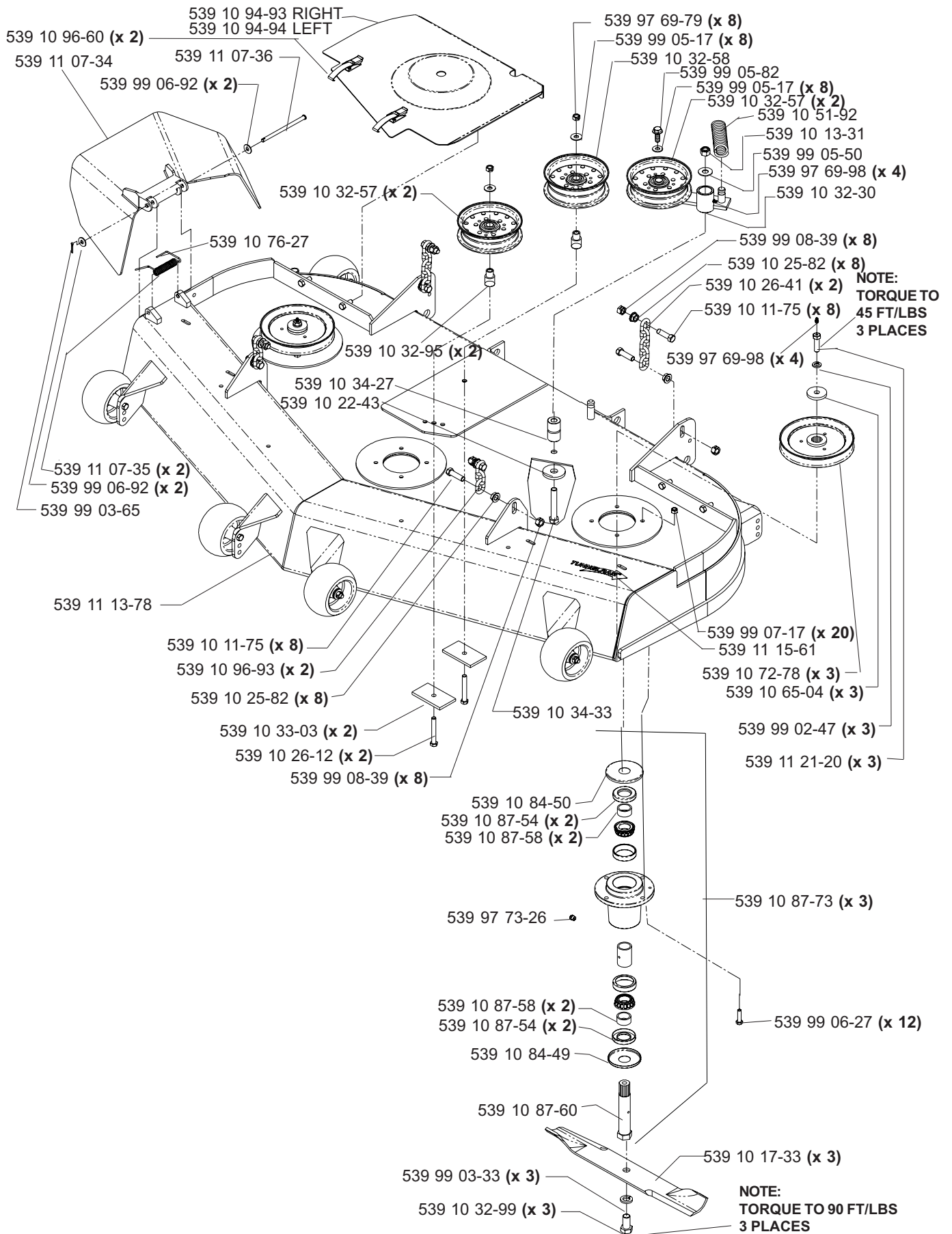
52" DECK ASSEMBLY



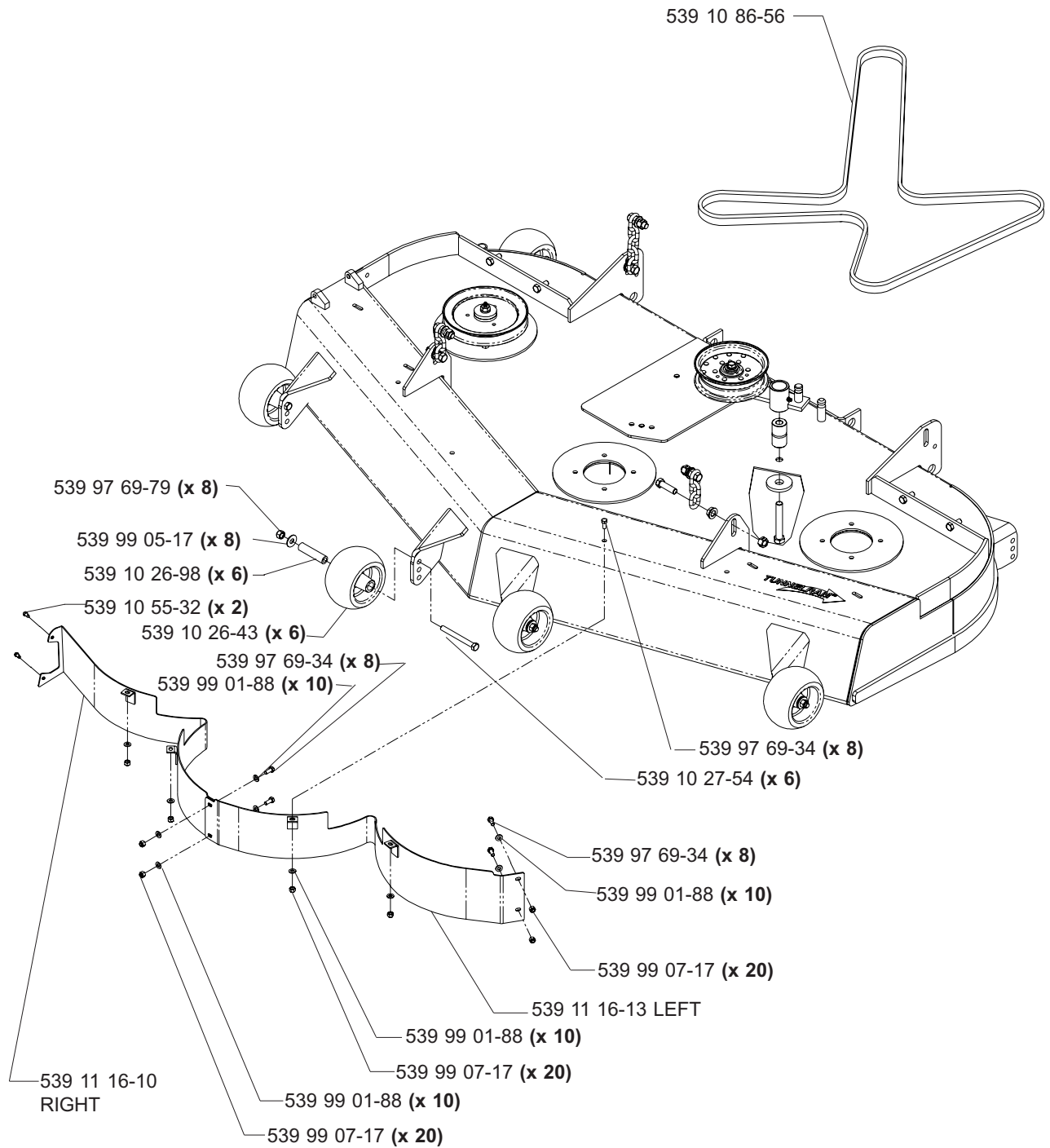
52" DECK ASSEMBLY



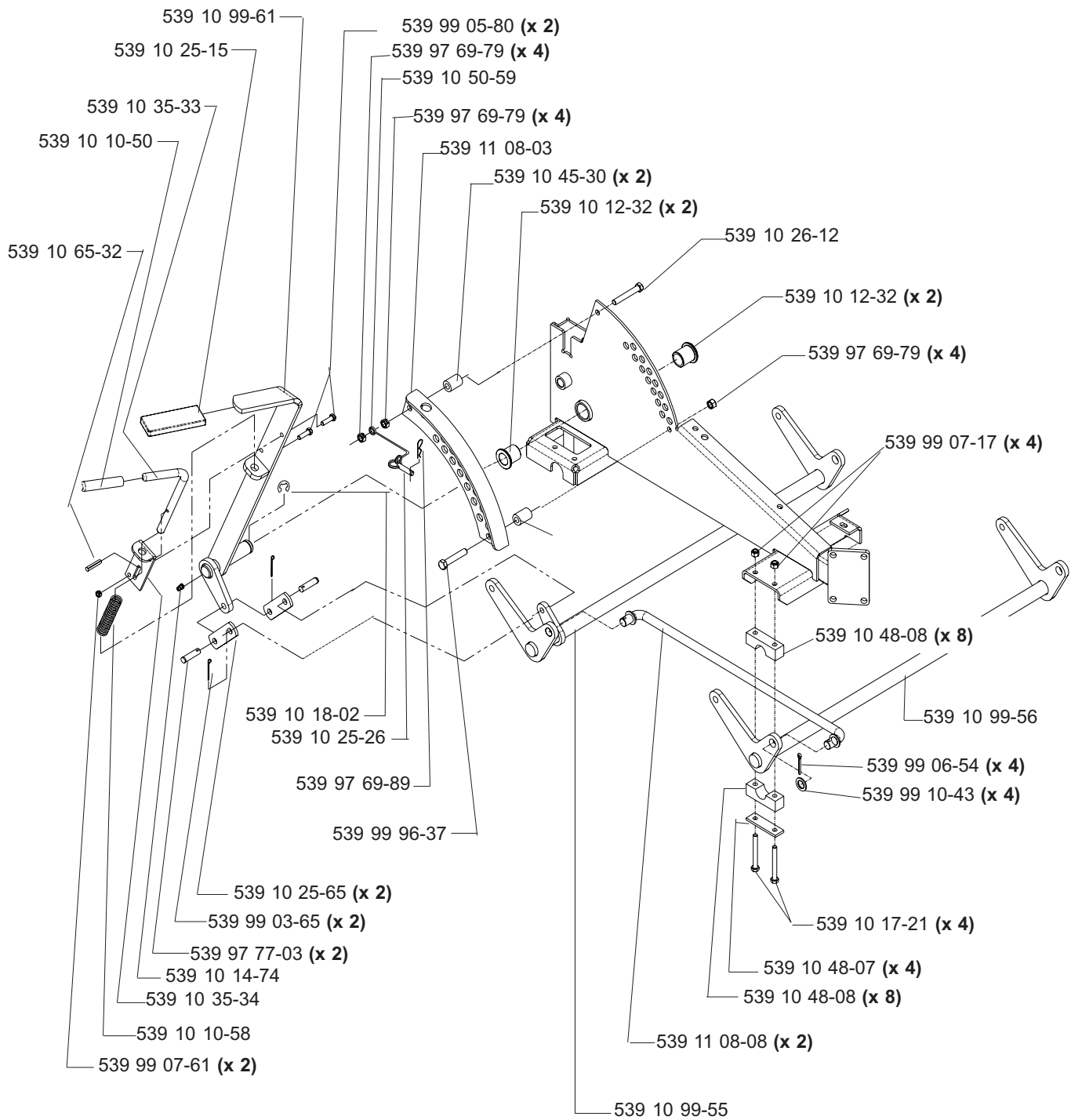
61" DECK ASSEMBLY



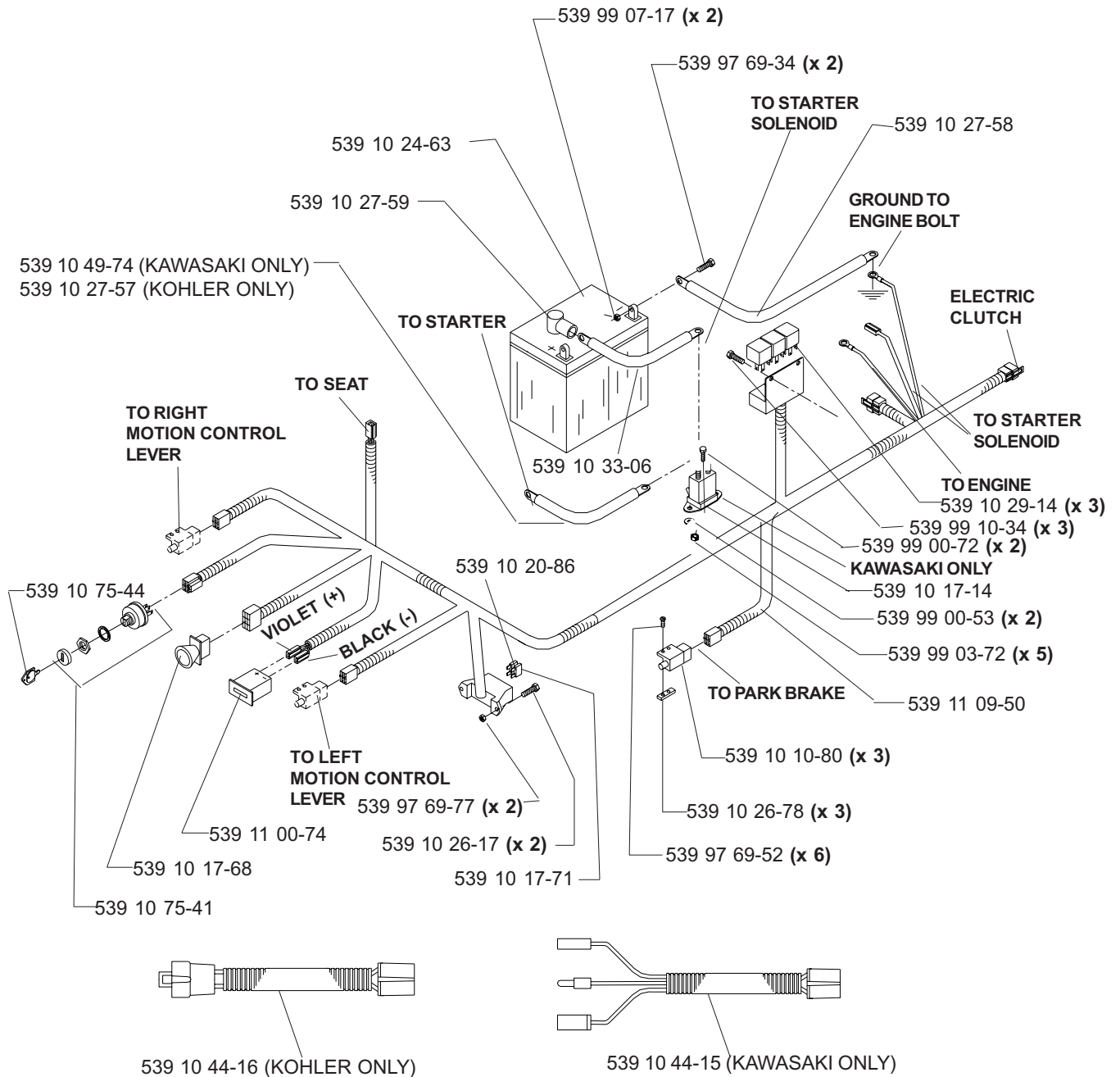
61" DECK ASSEMBLY



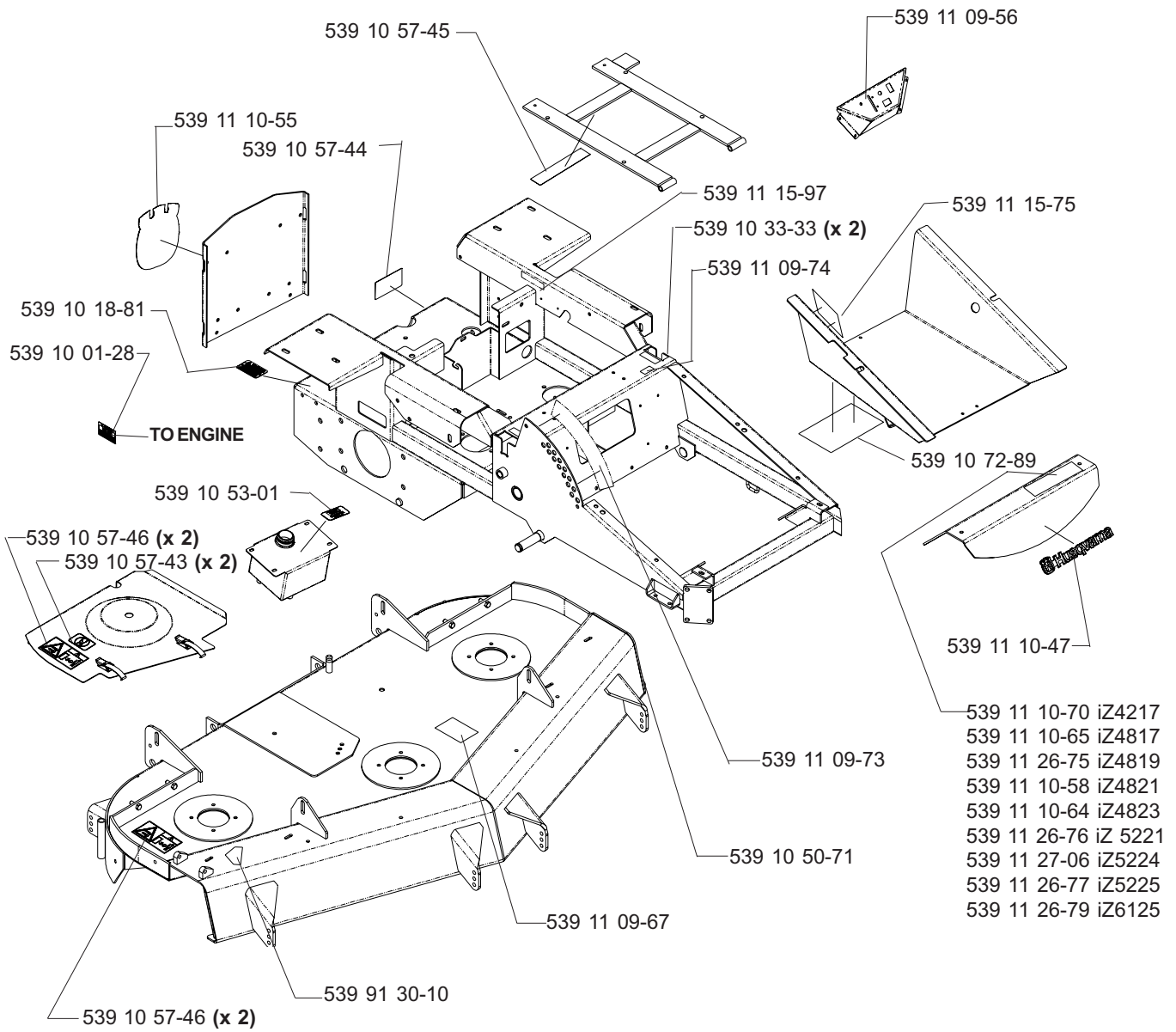
DECK LIFT ASSEMBLY



WIRING ASSEMBLY

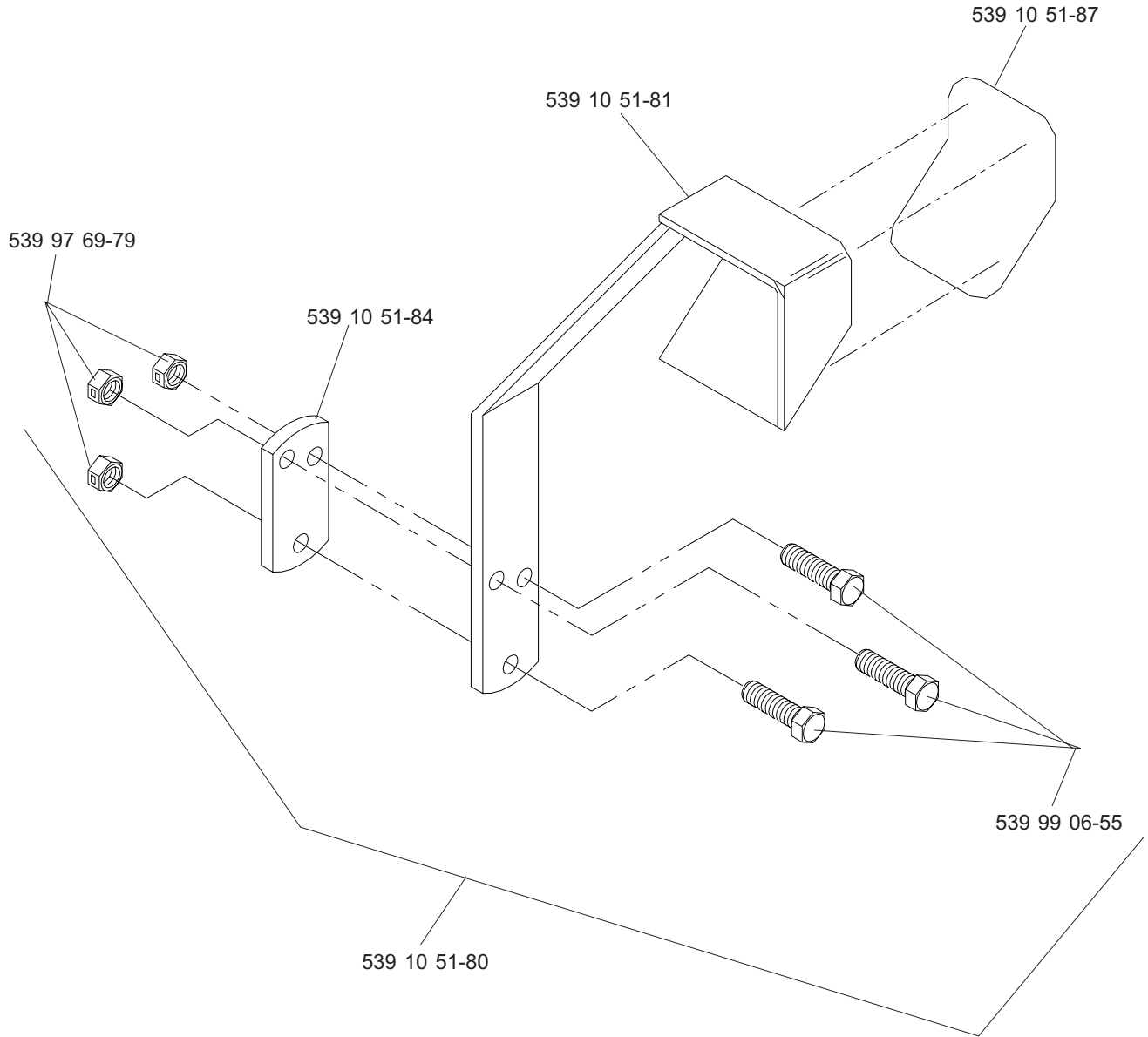


DECALS



539 10 26-70 DECAL, FUEL VALVE (NOT SHOWN)

LIFT PEDAL MAY BE OPTIONAL



ROPS

