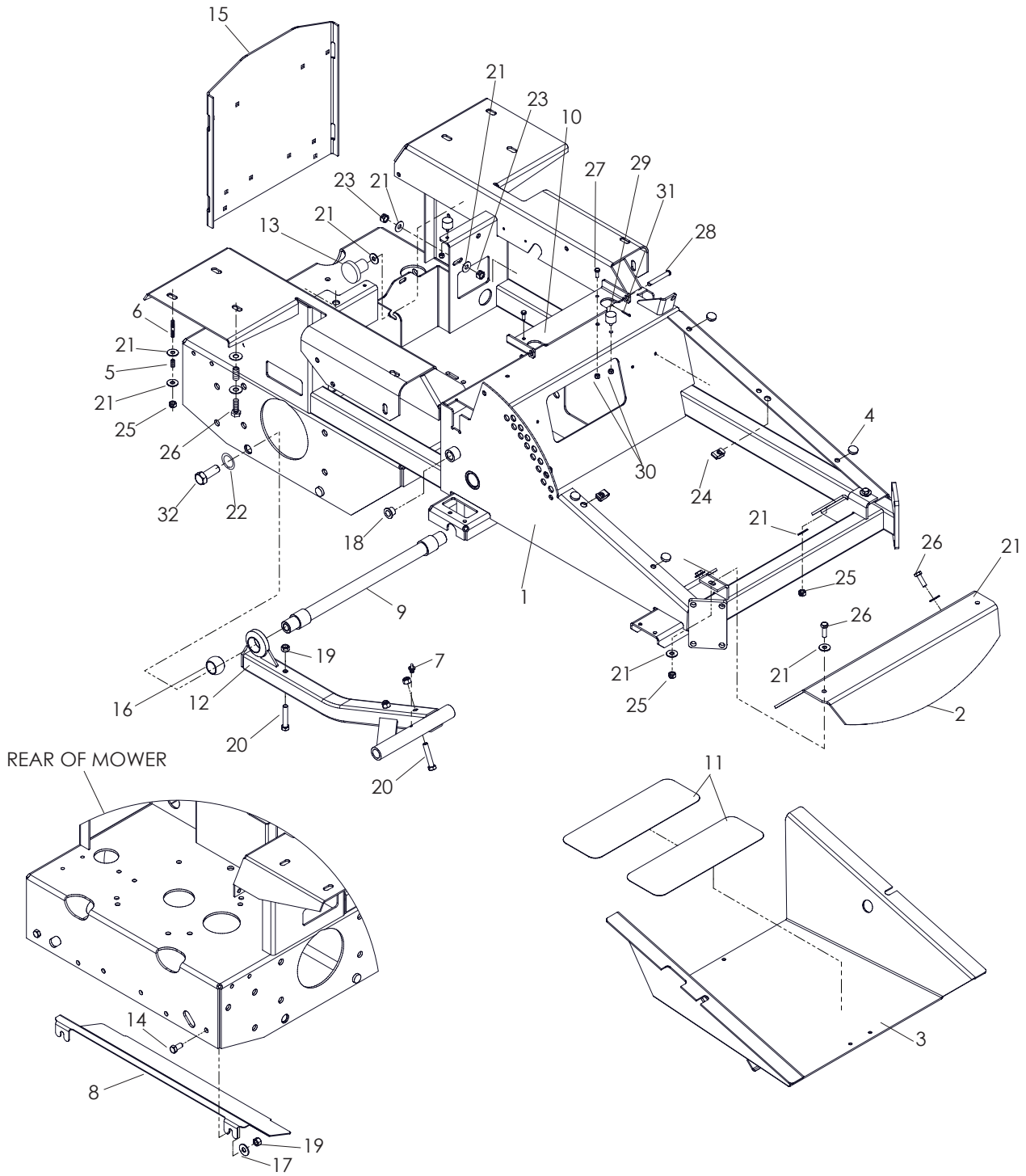


# CHASSIS/FRAME



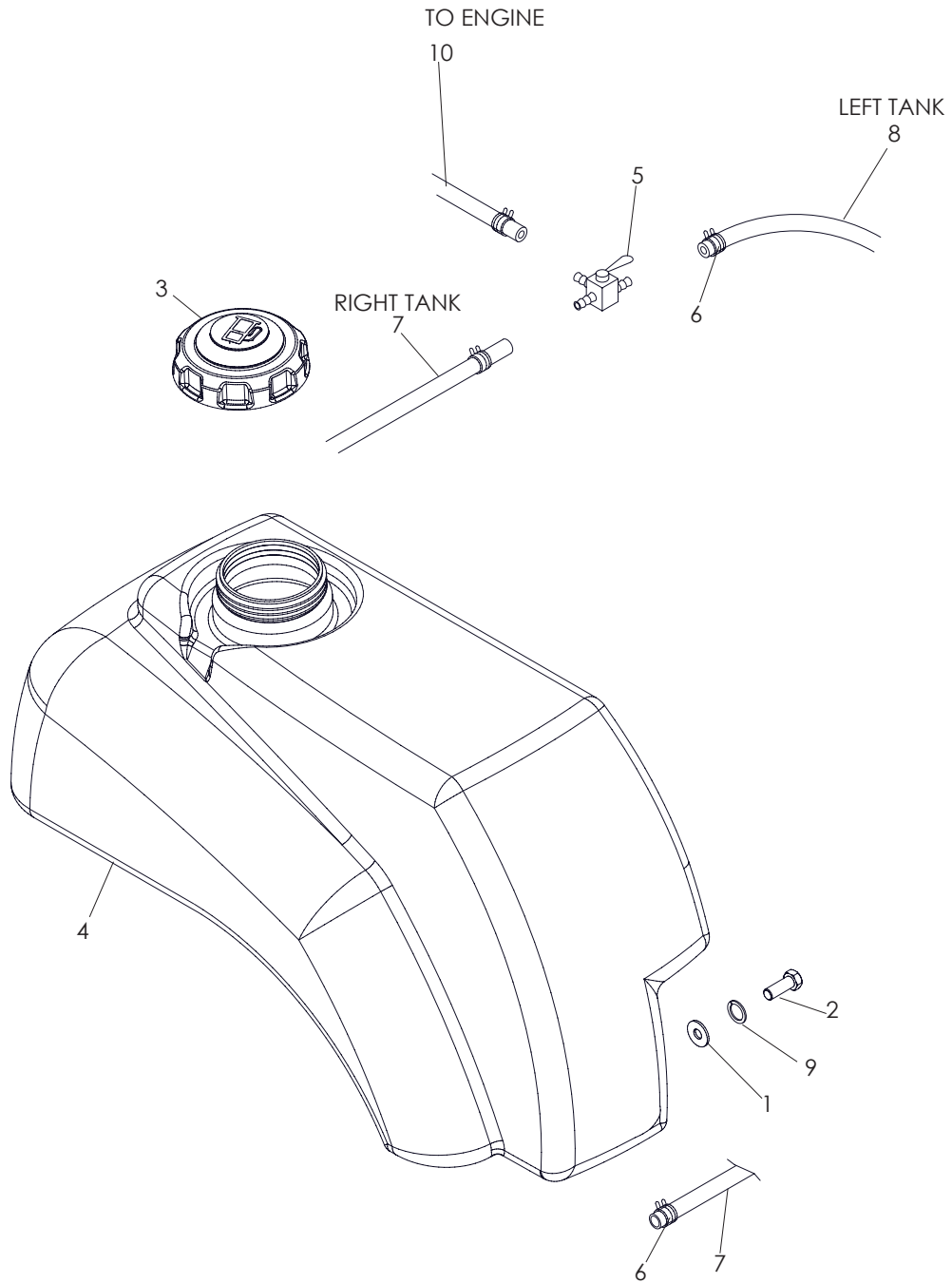
# CHASSIS/FRAME

---

| ITEM | PART NO.   | QTY.  | DESCRIPTION                                   | ITEM | PART NO.   | QTY.  | DESCRIPTION   |
|------|------------|-------|---|------|------------|-------|---|
| 1..  | 539 110198 | ....1 | ....FRAME W/DECALS                            | 17.. | 539 990517 | ....2 | .... WASHER <sup>3</sup> / <sub>8</sub>             |
| 2..  | 539 106941 | ....1 | ....FOOT REST                                 | 18.. | 539 102519 | ....2 | .... BUSHING  |
| 3..  | 539 111573 | ....1 | ....FOOT PLATE W/DECAL                        | 19.. | 539 976979 | ..11  | ....NUT, <sup>3</sup> / <sub>8</sub> -16, NYLOC     |
| 4..  | 539 102587 | ....5 | ....BUMPER                                    | 20.. | 539 990588 | ....6 | ....HCS <sup>3</sup> / <sub>8</sub> -16 x 2         |
| 5..  | 539 102845 | ....8 | ....SPRING                                    | 21.. | 539 990692 | ....4 | .... WASHER <sup>5</sup> / <sub>16</sub>            |
| 6..  | 539 102502 | ....6 | ....STUD                                      | 22.. | 539 990333 | ....2 | .... LOCKWASHER <sup>5</sup> / <sub>8</sub>         |
| 7..  | 539 976998 | ....2 | ....ZERK, STRAIGHT 1/4-28                     | 23.. | 539 990184 | ....2 | .... NUT <sup>5</sup> / <sub>16</sub> -18 HEX CTRLK |
| 8..  | 539 112953 | ....1 | ....REAR GUARD                                | 24.. | 539 104763 | ....2 | .... U CLIP   |
| 9..  | 539 104197 | ....1 | ....STRUT MOUNT                               | 25.. | 539 990717 | ..10  | .... NUT <sup>5</sup> / <sub>16</sub> -18, NYLOC    |
| 10.. | 539 105224 | ....1 | ....SEAT MOUNT W/DECAL                        | 26.. | 539 990209 | ....6 | ....HCS <sup>5</sup> / <sub>16</sub> -18 x 1        |
| 11.. | 539 977778 | ....3 | ....ANTI-SKID PAD                             | 27.. | 539 990580 | ....2 | ....HCS 1/4-20 x 3/4                                |
| 12.. | 539 112647 | ....1 | ....STRUT, RIGHT                              | 28.. | 539 110819 | ....2 | .... CLEVIS PIN                                     |
|      | 539 112646 | ....1 | ....STRUT, LEFT                               | 29.. | 539 105039 | ....4 | ....STUD MOUNTS                                     |
| 13.. | 539 105169 | ....1 | ....KNOB                                      | 30.. | 539 976978 | ....2 | .... NUT, 1/4-20, NYLOC                             |
| 14.. | 539 990134 | ....2 | ....HCS <sup>3</sup> / <sub>8</sub> -16 x 3/4 | 31.. | 539 990365 | ....2 | .... PIN, COTTER, 1/8 x 3/4                         |
| 15.. | 539 106959 | ....1 | ....GUARD, ENGINE                             | 32.. | 539 104199 | ....2 | ....HCS <sup>5</sup> / <sub>8</sub> -11 x 2         |
| 16.. | 539 104397 | ....2 | ....BALL END                                  |      |            |       |   |

# FUEL SYSTEM

---



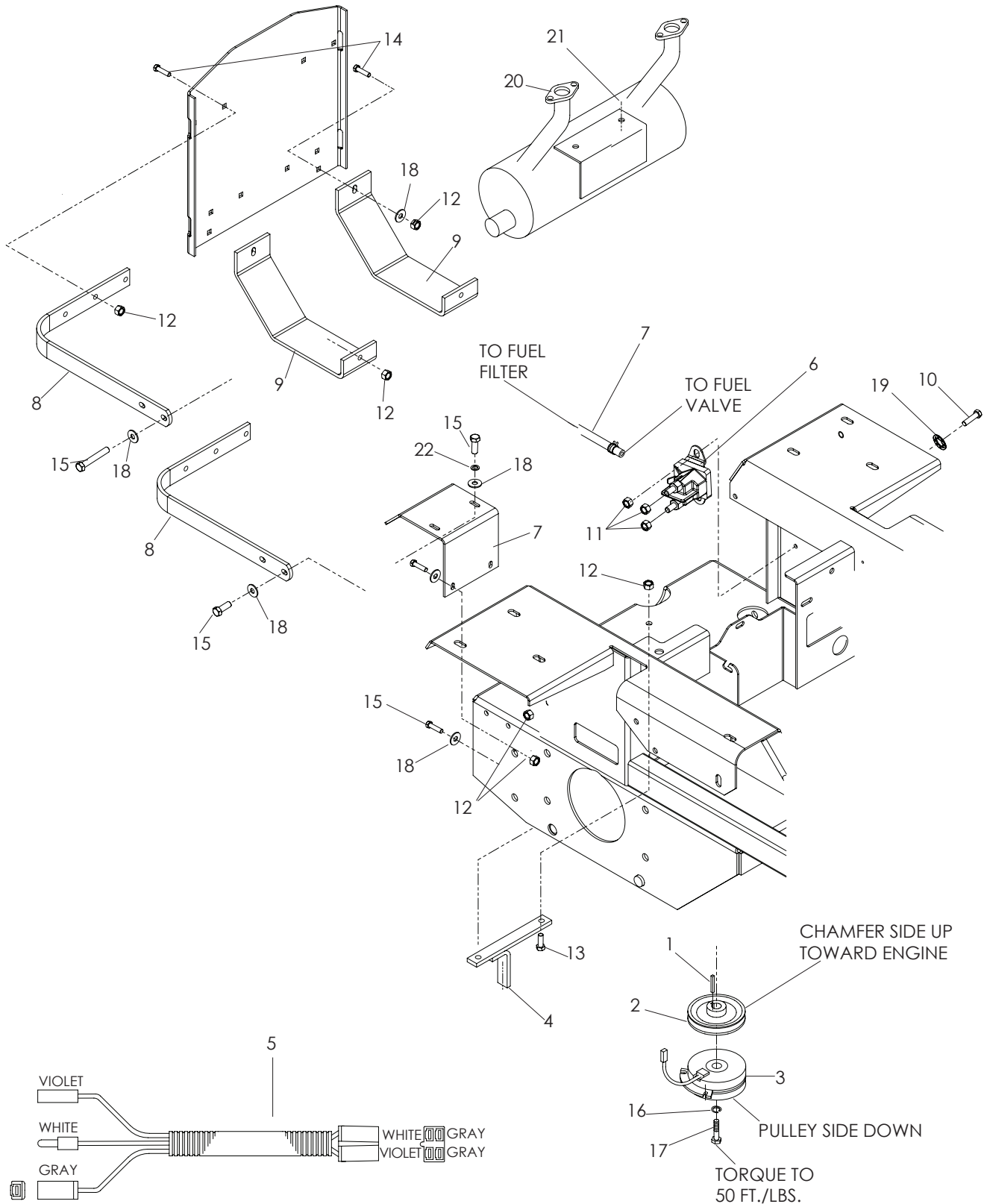
# FUEL SYSTEM

---

| ITEM | PART NO.       | QTY.    | DESCRIPTION  | ITEM | PART NO.       | QTY.   | DESCRIPTION                             |
|------|----------------|---------|--|------|----------------|--------|---|
| 1..  | 539 990692..   | 21 .... | WASHER <sup>5</sup> / <sub>16</sub>                                | 6..  | 539 912222.... | 6 .... | HOSE CLAMP                              |
| 2..  | 539 976934.... | 4 ....  | HCS <sup>5</sup> / <sub>16</sub> -18 x <sup>3</sup> / <sub>4</sub> | 7..  | 539 105527.... | 1 .... | FUEL HOSE, 24"                          |
| 3..  | 539 106188.... | 2 ....  | FUEL CAP   | 8..  | 539 117050.... | 1 .... | FUEL HOSE, 28"                          |
| 4..  | 539 104410.... | 1 ....  | FUEL TANK, RIGHT   | 9..  | 539 990187.... | 2 .... | LOCKWASHER <sup>5</sup> / <sub>16</sub> |
|      | 539 104409.... | 1 ....  | FUEL TANK, LEFT  | 10.. | 539 105281.... | 1 .... | FUEL HOSE, 29½"                         |
| 5..  | 539 102679.... | 1 ....  | FUEL VALVE   |      |                |        |   |

# ENGINE

## KAWASAKI 21 HP



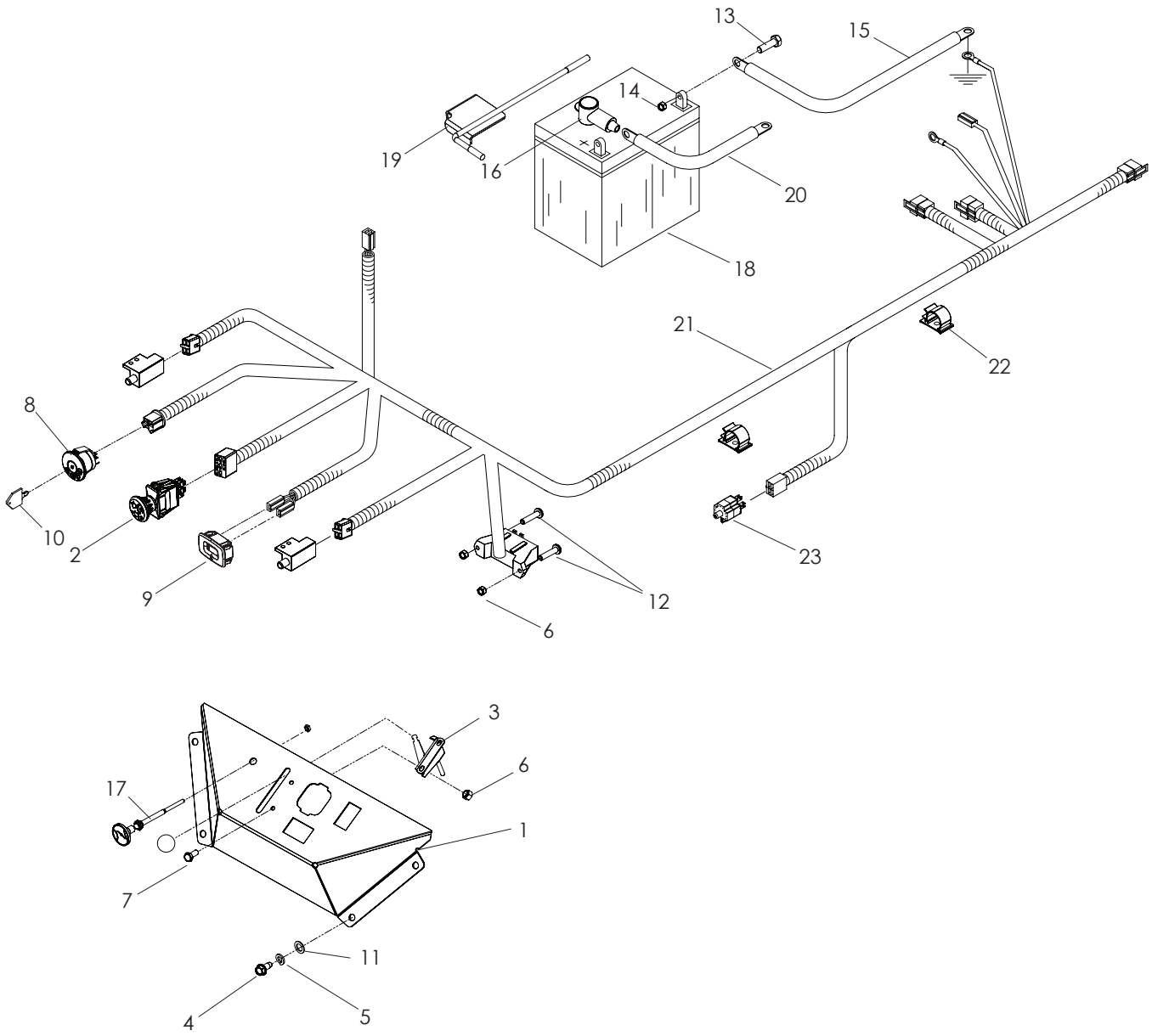
# ENGINE

---

| ITEM | PART NO.         | QTY. | DESCRIPTION        |
|------|------------------|------|--------------------|
| 1..  | 539 912757....1  | .... | KEY ¼ SQ x 1¼      |
| 2..  | 539 106992....1  | .... | PULLEY             |
| 3..  | 539 106880....1  | .... | CLUTCH             |
| 4..  | 539 106819....1  | .... | CLUTCH TIE DOWN    |
| 5..  | 539 104415....1  | .... | KAWASAKI PIGTAIL   |
| 6..  | 539 101714....1  | .... | SOLENOID           |
| 7..  | 539 111093 ....1 | .... | MUFFLER BRACKET    |
| 8..  | 539 106961....4  | .... | STRAP              |
| 9..  | 539 106957....2  | .... | SKID PLATE         |
| 10.. | 539 990072....2  | .... | HCS ¼-20 x 5/8     |
| 11.. | 539 976978....5  | .... | NUT, ¼-20, NYLOC   |
| 12.. | 539 990717..22   | .... | NUT 5/16-18, NYLOC |
| 13.. | 539 990669....4  | .... | HCS 5/16-18 x 1 ¾  |
| 14.. | 539 107271..10   | .... | RHSSNB 5/16-18 x 1 |

| ITEM      | PART NO.        | QTY. | DESCRIPTION       |
|-----------|-----------------|------|-------------------|
| 15..      | 539 990209..12  | .... | HCS 5/16-18 x 1   |
| 16..      | 539 990247....1 | .... | LOCKWASHER 7/16   |
| 17..      | 539 991120....1 | .... | HCS 7/16-20 x 2½  |
| 18..      | 539 990692..14  | .... | WASHER 5/16       |
| 19..      | 539 990053....2 | .... | LOCKWASHER ¼      |
| 20..      | 539 108199....2 | .... | GASKET, EXHAUST   |
| 21..      | 539 105897....1 | .... | MUFFLER, KAWASAKI |
| 22..      | 539 990187....2 | .... | LOCKWASHER 5/16   |
| NOT SHOWN |                 |      |                   |
|           | 539 102757....1 | .... | CABLE, POSITIVE   |
|           | 539 976856....1 | .... | TIE, PLASTIC      |

# IGNITION SYSTEM



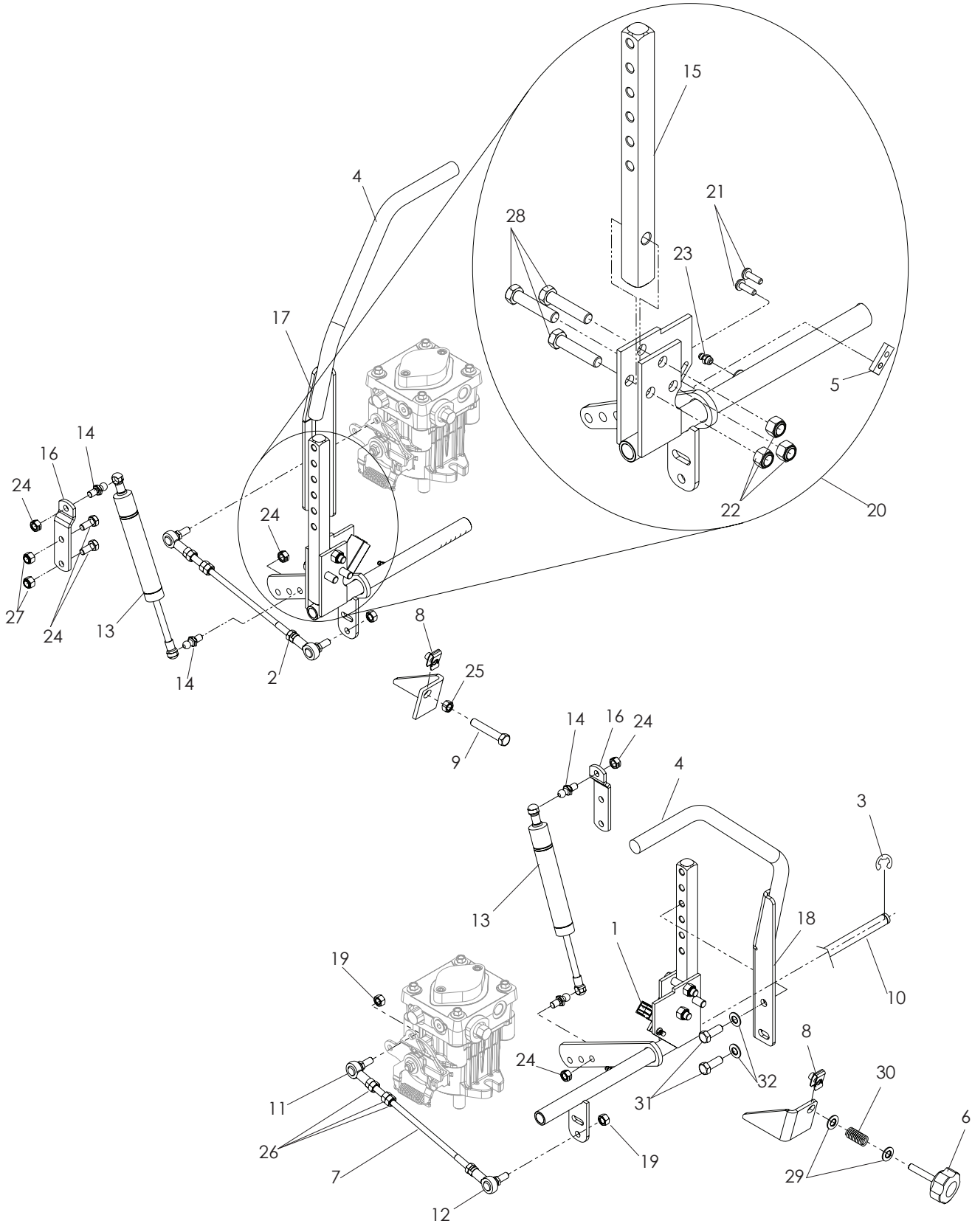
# IGNITION SYSTEM

---

| ITEM | PART NO.   | QTY.  | DESCRIPTION                                  | ITEM | PART NO.   | QTY.  | DESCRIPTION                                 |
|------|------------|-------|--|------|------------|-------|---|
| 1..  | 539 110953 | ....1 | .... CONSOLE                                 | 13.. | 539 976934 | ....2 | .... HCS $\frac{5}{16}$ -18 x $\frac{3}{4}$ |
| 2..  | 539 131627 | ....1 | .... SWITCH, PTO 10 AMP                      | 14.. | 539 990717 | ....2 | .... NUT $\frac{5}{16}$ -18 HEX NYLOC       |
| 3..  | 539 103275 | ....1 | .... THROTTLE CABLE                          | 15.. | 539 102758 | ....1 | .... CABLE, NEGATIVE                        |
| 4..  | 539 990362 | ....4 | .... SCREW $\frac{1}{4}$ -20 x $\frac{5}{8}$ | 16.. | 539 102759 | ....2 | .... INSULATOR-BATTERY                      |
| 5..  | 539 990052 | ....4 | .... WASHER, $\frac{1}{4}$ SPLIT LOCK        | 17.. | 539 130208 | ....1 | .... CHOKE CNTRL                            |
| 6..  | 539 976977 | ....2 | .... NUT #10-24 HEX NYLOC                    | 18.. | 539 102436 | ....1 | .... BATTERY, DRY                           |
| 7..  | 539 990411 | ....2 | .... HCS #10-24 x $\frac{1}{2}$              | 19.. | 539 106899 | ....1 | .... HOLD DOWN, BATTERY                     |
| 8..  | 539 107541 | ....1 | .... IGNITION SWITCH                         | 20.. | 539 103306 | ....1 | .... CABLE, POSITIVE                        |
| 9..  | 539 110074 | ....1 | .... HOUR METER                              | 21.. | 539 113791 | ....1 | .... HARNESS                                |
| 10.. | 539 107544 | ....1 | .... KEY, IGNITION                           | 22.. | 539 110815 | ....2 | .... WIRE CLIP PUSH-MOUNT                   |
| 11.. | 539 990598 | ....4 | .... WASHER, $\frac{1}{4}$ FLAT              | 23.. | 539 113792 | ....1 | .... SWITCH, BRAKE                          |
| 12.. | 539 102617 | ....2 | .... SCREW #10-24 x $\frac{7}{8}$ SLT HD     |      |            |       |   |



# STEERING

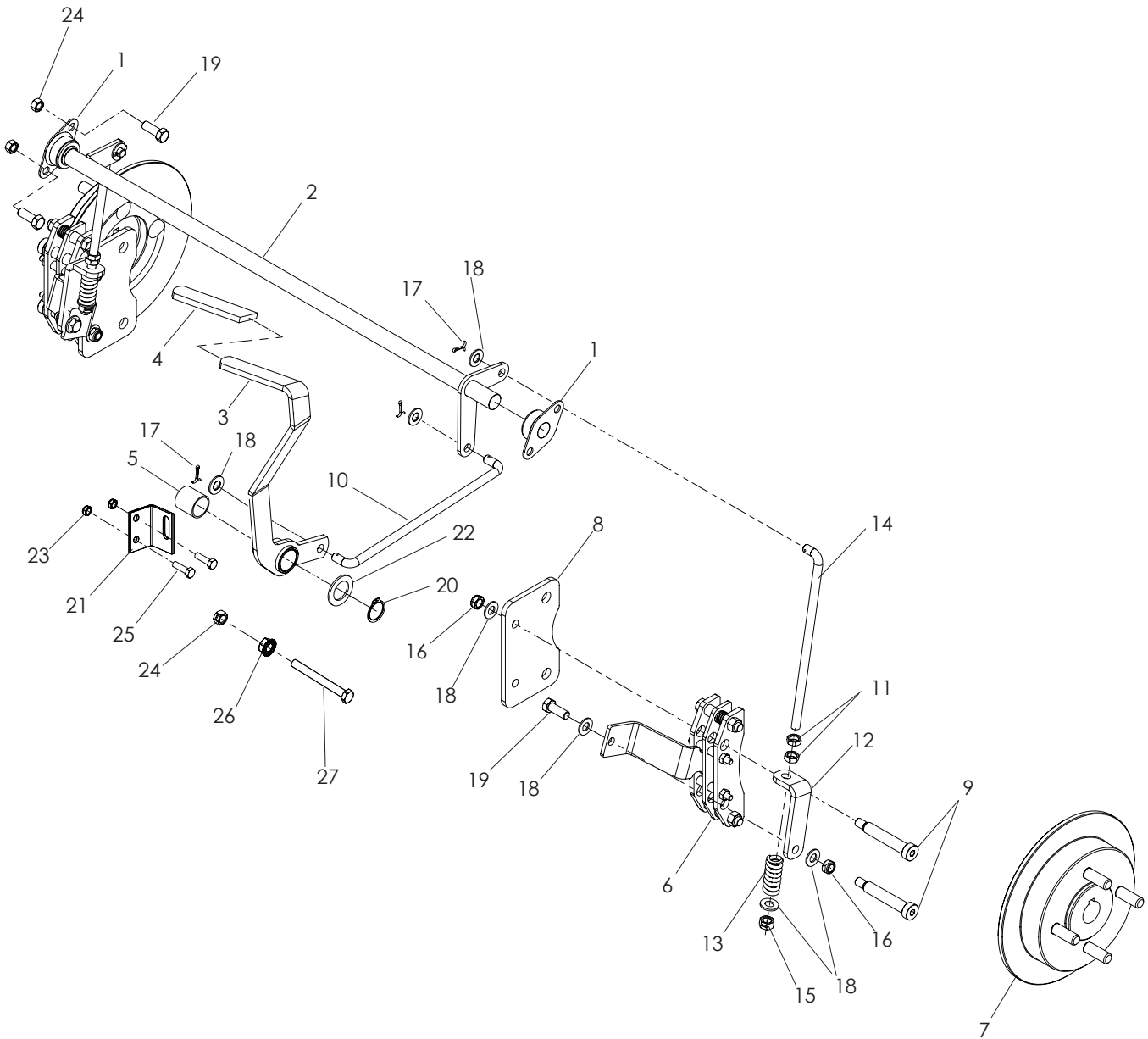


# STEERING

---

| ITEM | PART NO.         | QTY. | DESCRIPTION                                       | ITEM | PART NO.         | QTY. | DESCRIPTION                                    |
|------|------------------|------|---|------|------------------|------|--|
| 1..  | 539 101080....3  | .... | SWITCH, BRAKE                                     | 18.. | 539 110827 ....1 | .... | DRIVE LEVER, LT                                |
| 2..  | 539 991073....2  | .... | NUT <sup>5</sup> / <sub>16</sub> -24 HEX HD       | 19.. | 539 110943....4  | .... | NUT <sup>5</sup> / <sub>16</sub> -24 NYLOC     |
| 3..  | 539 101949....2  | .... | E-RING ½  | 20.. | 539 130703....1  | .... | DRIVE CONTROL ASSM, RT                         |
| 4..  | 539 130894....2  | .... | GRIP  |      | 539 130704....1  | .... | DRIVE CONTROL ASSM, LT                         |
| 5..  | 539 102678....2  | .... | TAPPED PLATE                                      | 21.. | 539 976952....4  | .... | SCREW 10-24 x <sup>5</sup> / <sub>8</sub>      |
| 6..  | 539 103003....1  | .... | TRACKING KNOB                                     | 22.. | 539 976979....6  | .... | NUT <sup>3</sup> / <sub>8</sub> -16, HEX NYLOC |
| 7..  | 539 103264....2  | .... | LINKAGE   | 23.. | 539 976998....2  | .... | ZERK, STRAIGHT ¼-28                            |
| 8..  | 539 104763....5  | .... | U CLIP  | 24.. | 539 990184....6  | .... | NUT <sup>5</sup> / <sub>16</sub> -18 HEX CTRLK |
| 9..  | 539 108394....1  | .... | HCS <sup>5</sup> / <sub>16</sub> -18 x 1¾ TAPBOLT | 25.. | 539 990196....1  | .... | NUT <sup>5</sup> / <sub>16</sub> -18 HEX       |
| 10.. | 539 108659....1  | .... | CONTROL SHAFT                                     | 26.. | 539 990223....6  | .... | NUT <sup>5</sup> / <sub>16</sub> -24 HEX LH    |
| 11.. | 539 110603....2  | .... | SPHERICAL ROD END, RT                             | 27.. | 539 990717....4  | .... | NUT <sup>5</sup> / <sub>16</sub> -18 HEX NYLOC |
| 12.. | 539 110604....2  | .... | SPHERICAL ROD END, LT                             | 28.. | 539 990730....6  | .... | HCS <sup>3</sup> / <sub>8</sub> -16 x 1¾       |
| 13.. | 539 131932....2  | .... | DAMPENER  | 29.. | 539 990692....2  | .... | WASHER <sup>5</sup> / <sub>16</sub> STD FLT    |
| 14.. | 539 110607 ....4 | .... | BALL STUD   | 30.. | 539 111039 ....1 | .... | SPRING   |
| 15.. | 539 110638....2  | .... | ARM, CONTROL SHAFT                                | 31.. | 539 990563....2  | .... | HCS <sup>3</sup> / <sub>8</sub> -16 x 1        |
| 16.. | 539 110811 ....2 | .... | DAMPENER ARM                                      | 32.. | 539 102593....4  | .... | WASHER, <sup>3</sup> / <sub>8</sub> SPRING     |
| 17.. | 539 110826....1  | .... | DRIVE LEVER, RT                                   | 33.. | 539 976934....4  | .... | HCS <sup>5</sup> / <sub>16</sub> -18 x ¾       |

# PARKING BRAKE

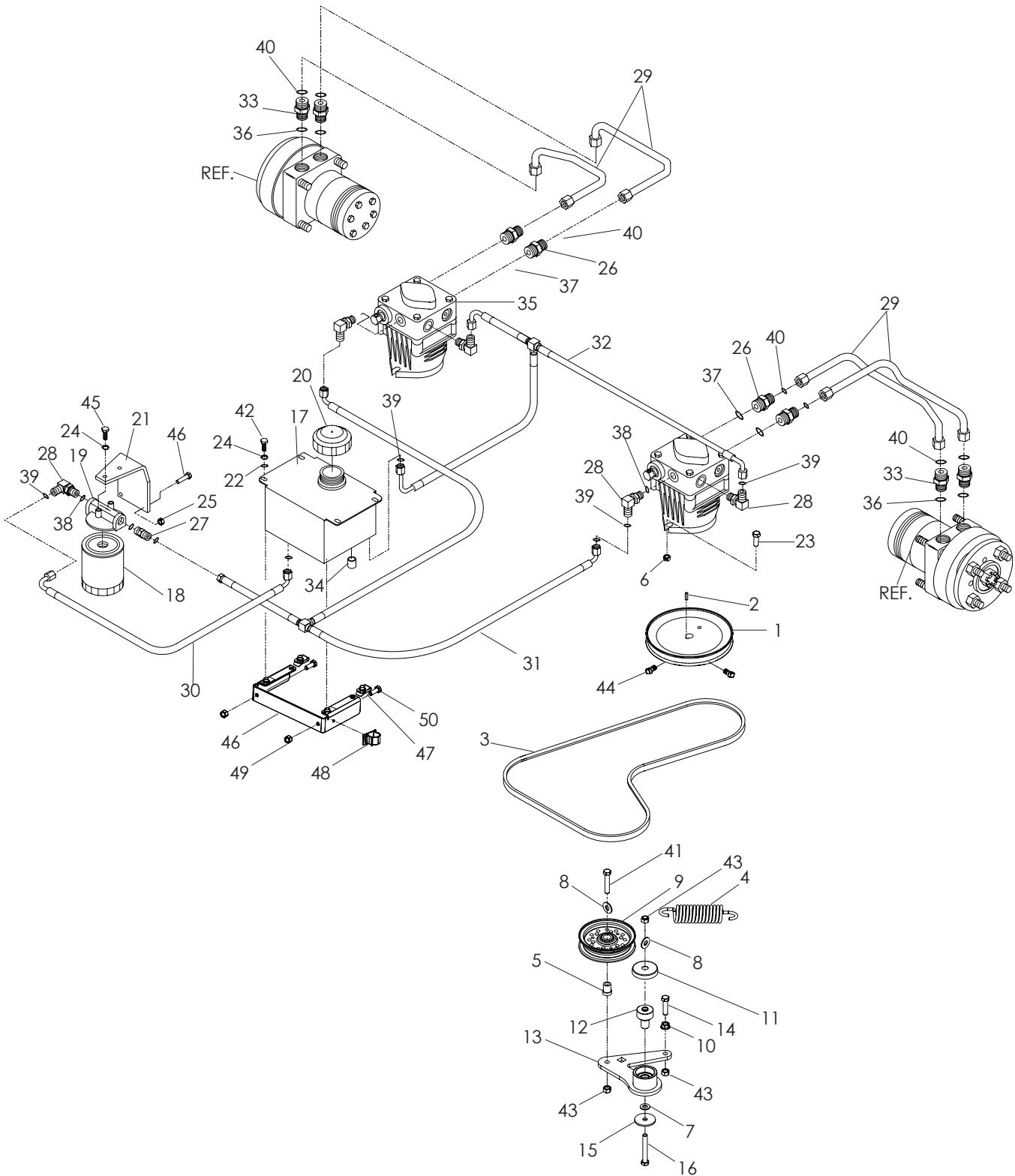


# PARKING BRAKE

---

| ITEM | PART NO.       | QTY. | DESCRIPTION                                      | ITEM | PART NO.       | QTY. | DESCRIPTION                                |
|------|----------------|------|--|------|----------------|------|--|
| 1..  | 539 102797.... | 2    | BUSHING, FLANGED                                 | 15.. | 539 990289.... | 1    | NUT, $\frac{3}{8}$ -24, CENTERLOCK         |
| 2..  | 539 106969.... | 1    | BRAKE CROSS SHAFT                                | 16.. | 539 200282.... | 2    | NUT, $\frac{3}{8}$ -16, THIN NYLOC         |
| 3..  | 539 108616.... | 1    | BRAKE LEVER                                      | 17.. | 539 990037.... | 3    | PIN COTTER, $\frac{3}{32}$ x $\frac{3}{4}$ |
| 4..  | 539 105036.... | 1    | GRIP PARK BRAKE                                  | 18.. | 539 990122.... | 7    | WASHER, $\frac{3}{8}$ , SAE                |
| 5..  | 539 108619.... | 1    | BUSHING  | 19.. | 539 990563.... | 6    | HCS $\frac{3}{8}$ -16 x 1                  |
| 6..  | 539 133047.... | 2    | CALIPER  | 20.. | 539 101151.... | 1    | RING, RETAINING, EXT $\frac{7}{8}$         |
| 7..  | 539 113945.... | 2    | HUB  | 21.. | 539 114803.... | 1    | BRACKET                                    |
| 8..  | 539 113948.... | 2    | PLATE, BRAKE                                     | 22.. | 539 923787.... | 1    | BUSHING                                    |
| 9..  | 539 113951.... | 4    | SCREW, $\frac{3}{8}$ -16 x 2 $\frac{1}{2}$ , SKT | 23.. | 539 976978.... | 2    | NUT $\frac{1}{4}$ -20 HEX NYLOC            |
| 10.. | 539 113954.... | 1    | LINKAGE, BRAKE                                   | 24.. | 539 976979.... | 5    | NUT $\frac{3}{8}$ -16 HEX NYLOC            |
| 11.. | 539 108732.... | 2    | NUT, $\frac{3}{8}$ -24, JAM                      | 25.. | 539 990580.... | 2    | HCS $\frac{1}{4}$ -20 x $\frac{3}{4}$      |
| 12.. | 539 113950.... | 1    | L BRACKET  | 26.. | 539 990613.... | 1    | NUT, $\frac{3}{8}$ -16, WHIZLK             |
| 13.. | 539 113952.... | 1    | SPRING   | 27.. | 539 990637.... | 1    | HCS $\frac{3}{8}$ -16 x 2 $\frac{1}{2}$    |
| 14.. | 539 113955.... | 1    | LINKAGE, REAR BRAKE                              |      |                |      |  |

# HYDRAULIC PUMP-MOTOR

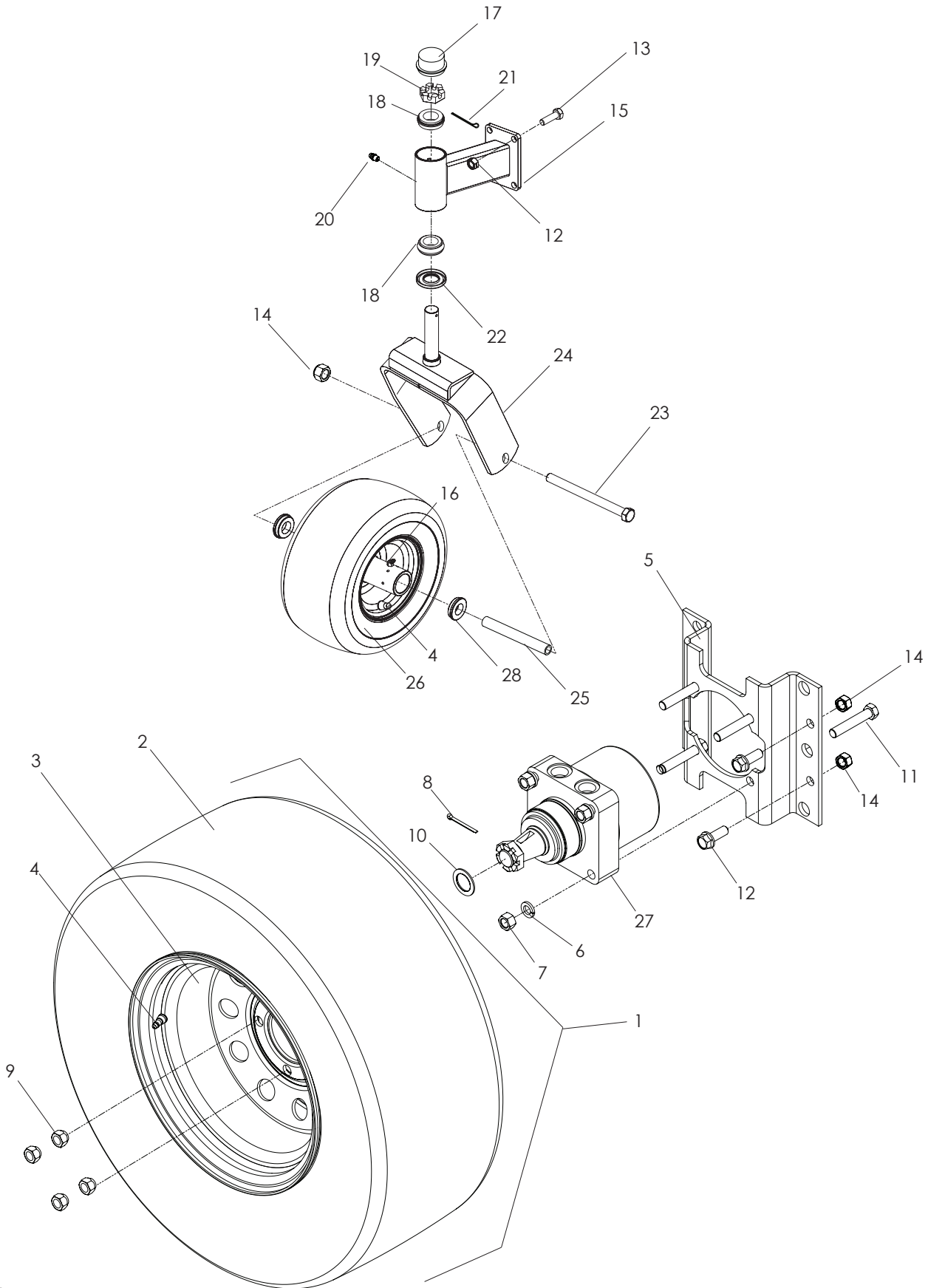


# HYDRAULIC PUMP-MOTOR

---

| ITEM | PART NO.       | QTY. | DESCRIPTION           | ITEM | PART NO.       | QTY. | DESCRIPTION               |
|------|----------------|------|-----------------------|------|----------------|------|---------------------------|
| 1..  | 539 101176.... | 2    | PULLEY                | 26.. | 539 101237.... | 4    | F6400-8-8-0               |
| 2..  | 539 101177.... | 2    | KEY 5MM SQ x 25MM     | 27.. | 539 113782.... | 1    | HYDRAULIC FITTING         |
| 3..  | 539 106887.... | 1    | BELT, PUMP            | 28.. | 539 101238.... | 5    | F6801-6-6-0               |
| 4..  | 539 110655.... | 1    | SPRING                | 29.. | 539 106896.... | 4    | HYDRAULIC LINE            |
| 5..  | 539 976695.... | 1    | IDLER FLANGE BUSHING  | 30.. | 539 104722.... | 1    | HOSE, 7"                  |
| 6..  | 539 990546.... | 4    | NUT 3/8-16 CENTERLOCK | 31.. | 539 111814.... | 1    | T ASSEMBLY                |
| 7..  | 539 990122.... | 1    | WASHER 3/8 SAE FLT    | 32.. | 539 110837.... | 1    | T ASSEMBLY                |
| 8..  | 539 990517.... | 2    | WASHER 3/8            | 33.. | 539 102396.... | 4    | STRAIGHT FITTING          |
| 9..  | 539 976688.... | 1    | PULLEY, IDLER         | 34.. | 539 105168.... | 1    | CAP                       |
| 10.. | 539 990613.... | 1    | NUT 3/8-16, HEX WHZLK | 35.. | 539 132144.... | 2    | PUMP W/RTN'S, 10CC        |
| 11.. | 539 114662.... | 1    | DUST SHIELD           | 36.. | 539 103115.... | 4    | O-RING                    |
| 12.. | 539 130205.... | 1    | PIVOT BEARING         | 37.. | 539 103116.... | 4    | O-RING                    |
| 13.. | 539 130392.... | 1    | IDLER ARM             | 38.. | 539 103117.... | 6    | O-RING                    |
| 14.. | 539 990655.... | 1    | HCS 3/8-16 x 1 1/2    | 39.. | 539 103118.... | 8    | O-RING                    |
| 15.. | 539 111897.... | 1    | WASHER 3/8            | 40.. | 539 103119.... | 8    | O-RING                    |
| 16.. | 539 106492.... | 1    | HCS 3/8-16 x 2 3/4    | 41.. | 539 990588.... | 1    | HCS 3/8-16 x 2            |
| 17.. | 539 105024.... | 1    | OIL TANK              | 42.. | 539 990580.... | 4    | HCS 1/4-20 x 3/4          |
| 18.. | 539 102606.... | 1    | FILTER                | 43.. | 539 976979.... | 3    | NUT 3/8-16, NYLOC         |
| 19.. | 539 101165.... | 1    | FILTER HEAD           | 44.. | 539 102717.... | 4    | SCREW, 5/16-18 x 5/8, SET |
| 20.. | 539 101202.... | 1    | HYDRAULIC CAP         | 45.. | 539 990072.... | 2    | HCS 1/4-20 x 5/8          |
| 21.. | 539 106933.... | 1    | FILTER BRACKET        | 46.. | 539 110814.... | 1    | TANK MOUNT                |
| 22.. | 539 990598.... | 8    | WASHER 1/4            | 47.. | 539 110813.... | 1    | U TYPE RETAINER           |
| 23.. | 539 990582.... | 4    | HFCS, 3/8-16 x 1      | 48.. | 539 110815.... | 1    | WIRE CLIP, PUSH MOUNT     |
| 24.. | 539 990052.... | 2    | LOCKWASHER 1/4        | 49.. | 539 990717.... | 4    | NUT 5/16-18, NYLOC        |
| 25.. | 539 976978.... | 2    | NUT 1/4-20, NYLOC     | 50.. | 539 976934.... | 4    | HCS 5/16-18 x 3/4         |

# WHEELS AND TIRES



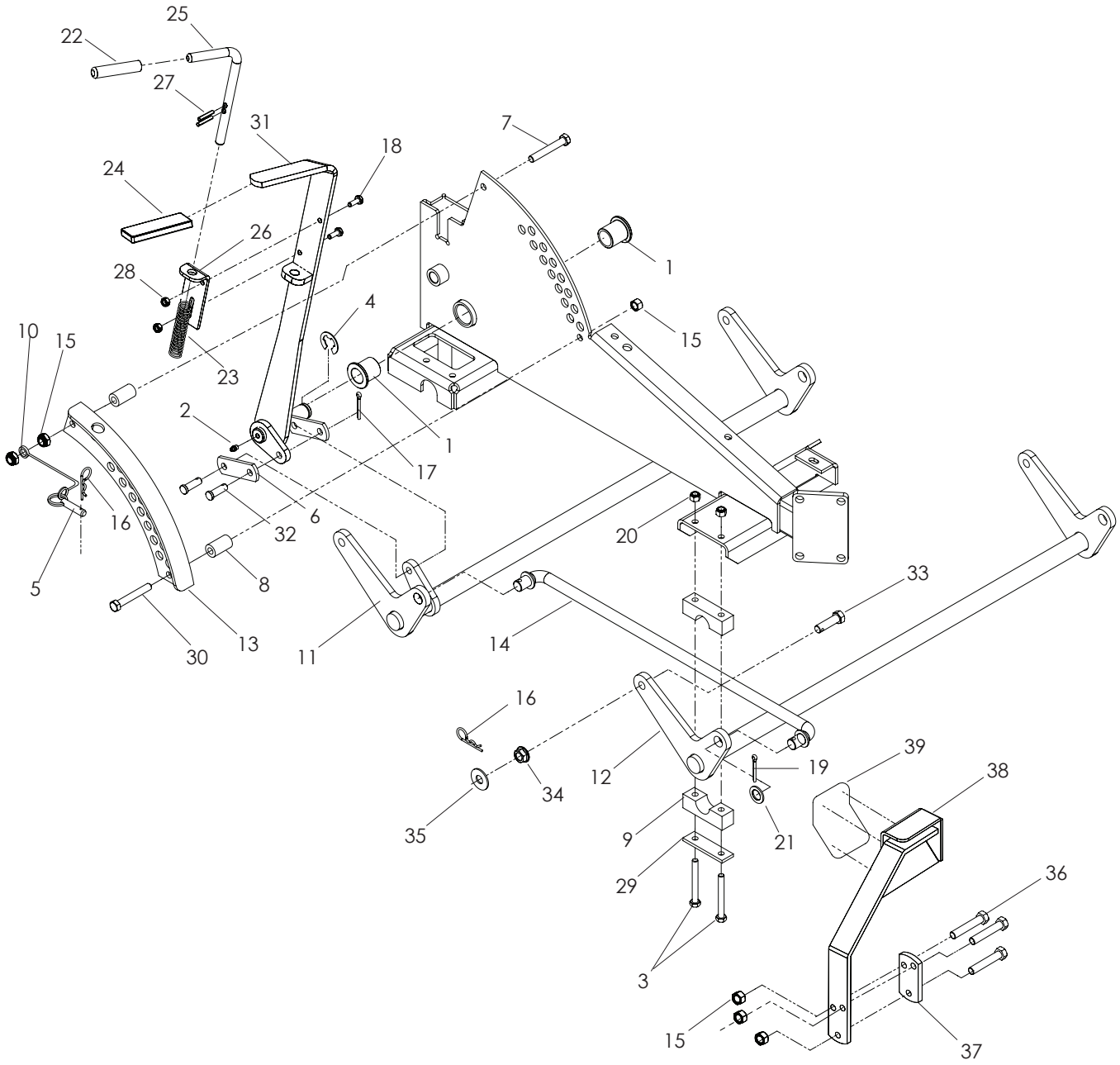
# WHEELS AND TIRES

---

| ITEM | PART NO.       | QTY. | DESCRIPTION                | ITEM | PART NO.       | QTY. | DESCRIPTION             |
|------|----------------|------|----------------------------|------|----------------|------|-------------------------|
| 1..  | 539 112592.... | 2    | TIRE ASSEM, RR 23 x 9.5-12 | 17.. | 539 102535.... | 2    | CAP GREASE              |
| 2..  | 539 112599.... | 2    | TIRE RR                    | 18.. | 539 102543.... | 4    | BEARING-ROLLER          |
| 3..  | 510 253001.... | 2    | RIM RR                     | 19.. | 539 102852.... | 2    | NUT 1-14 SLOTTED JAM    |
| 4..  | 539 912234.... | 4    | VALVE                      | 20.. | 539 101474.... | 2    | ZERK                    |
| 5..  | 539 106989.... | 2    | MOUNT WHEEL MOTOR          | 21.. | 539 102889.... | 2    | COTTER PIN              |
| 6..  | 539 990254.... | 4    | WASHER, ½ SPLT LOCK        | 22.. | 539 102851.... | 2    | SEAL                    |
| 7..  | 539 990258.... | 4    | NUT ½-13 HEX               | 23.. | 539 102855.... | 2    | HCS ½-13 x 7½           |
| 8..  | 539 104288.... | 1    | COTTER PIN                 | 24.. | 539 104571.... | 2    | YOKE, CASTER            |
| 9..  | 539 101173.... | 4    | LUG NUT ½                  | 25.. | 539 102856.... | 2    | SPACER, AXLE            |
| 10.. | 539 916561.... | 1    | BUSHING, 1 x 14 GA         | 26.. | 539 104572.... | 2    | WHEEL ASSEM, CASTER     |
| 11.. | 539 101332.... | 4    | HCS ½-13 x 2¾              | 27.. | 539 110823.... | 2    | WHEEL MOTOR             |
| 12.. | 539 990839.... | 8    | NUT 7/16-14 CNTRLK         | 28.. | 539 102484.... | 4    | FLANGE BEARING          |
| 13.. | 539 100143.... | 8    | HCS 7/16-14 x 1            |      |                |      | NOT SHOWN               |
| 14.. | 539 101331.... | 8    | NUT ½-13 HEX NYLOC         |      | 539 102485.... | 4    | BEARING, ROLLER, CASTER |
| 15.. | 539 106986.... | 2    | CASTER ARM                 |      |                |      |                         |
| 16.. | 539 976997.... | 2    | ZERK                       |      |                |      |                         |



# MOWER LIFT/DECK LIFT

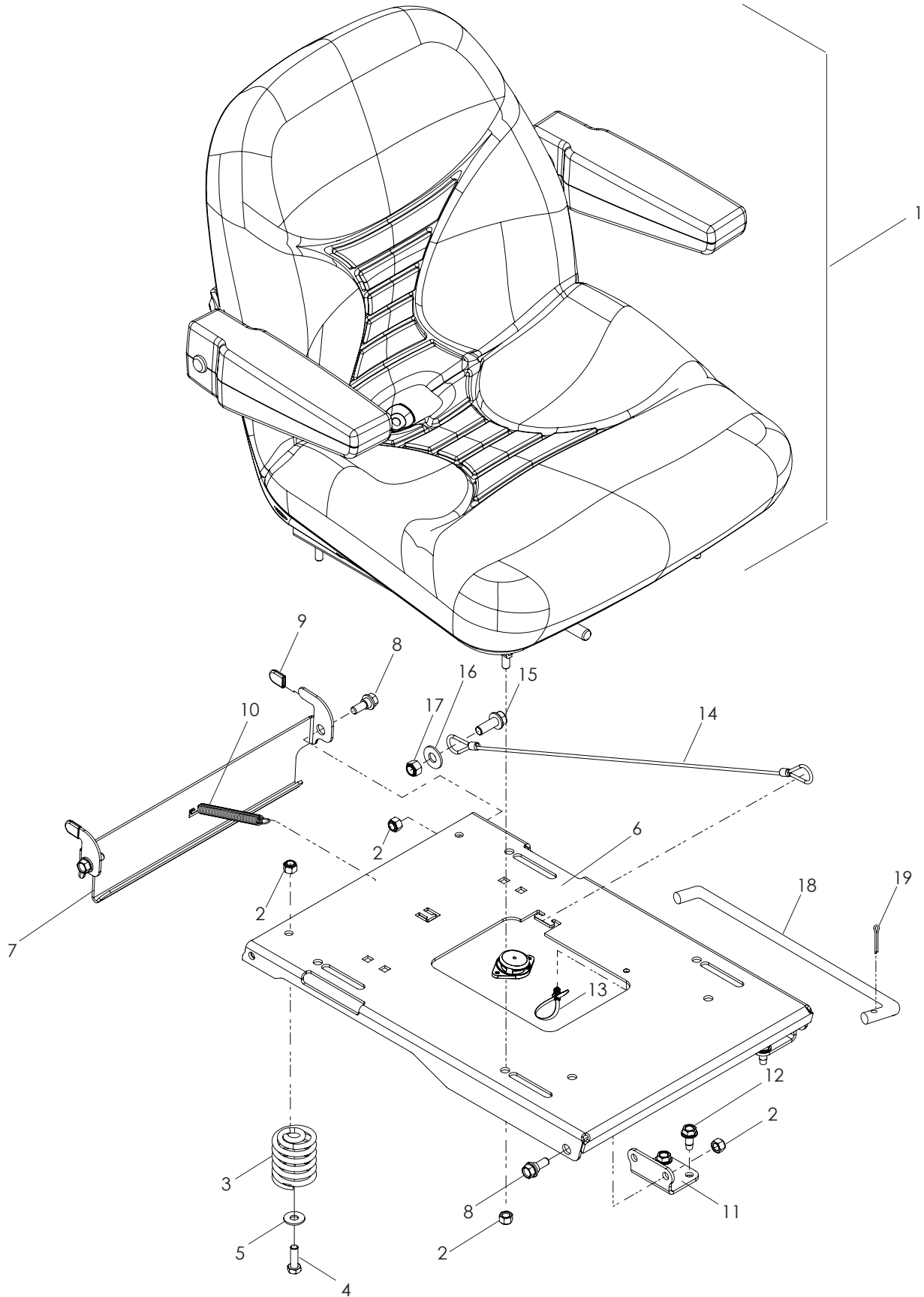


# MOWER LIFT/DECK LIFT

---

| ITEM | PART NO.       | QTY. | DESCRIPTION                                | ITEM | PART NO.       | QTY. | DESCRIPTION                                  |
|------|----------------|------|--|------|----------------|------|--|
| 1..  | 539 101232.... | 2    | BUSHING                                    | 21.. | 539 991043.... | 4    | BUSHING                                      |
| 2..  | 539 101474.... | 2    | ZERK                                       | 22.. | 539 101050.... | 1    | GRIP, VINYL                                  |
| 3..  | 539 101721.... | 8    | HCS $\frac{5}{16}$ -18 x $2\frac{3}{4}$    | 23.. | 539 101058.... | 1    | SPRING, COMPRESSION                          |
| 4..  | 539 101802.... | 1    | RING-E, $\frac{7}{8}$                      | 24.. | 539 102515.... | 1    | GRIP, LIFT LEVER                             |
| 5..  | 539 102526.... | 1    | PIN LIFT, $\frac{1}{2}$ x 2, W/RINGS       | 25.. | 539 103533.... | 1    | PIN $\frac{1}{2}$ x 6.69 L                   |
| 6..  | 539 102565.... | 2    | LINKAGE                                    | 26.. | 539 103534.... | 1    | PIN MT                                       |
| 7..  | 539 102612.... | 1    | HCS $\frac{3}{8}$ -16 x $2\frac{3}{4}$     | 27.. | 539 106532.... | 1    | PIN GROOVED, $\frac{3}{16}$ x $1\frac{1}{4}$ |
| 8..  | 539 104530.... | 2    | SPACER                                     | 28.. | 539 990761.... | 2    | NUT $\frac{1}{4}$ -20, CENTERLOCK            |
| 9..  | 539 104808.... | 8    | BLOCK-PILLOW                               | 29.. | 539 104807.... | 4    | REINFORCED BAR                               |
| 10.. | 539 105059.... | 1    | LANYARD                                    | 30.. | 539 990637.... | 1    | HCS $\frac{3}{8}$ -16 x $2\frac{1}{2}$       |
| 11.. | 539 109955.... | 1    | REAR LIFT SHAFT                            | 31.. | 539 109961.... | 1    | LIFT LEVER                                   |
| 12.. | 539 109956.... | 1    | FRONT LIFT SHAFT                           | 32.. | 539 977703.... | 2    | PIN CLEVIS, $\frac{3}{8}$ x $1\frac{1}{8}$   |
| 13.. | 539 110803.... | 1    | ADJUSTMENT PLATE                           | 33.. | 539 112520.... | 4    | HCS $\frac{7}{16}$ -14 x $1\frac{1}{2}$      |
| 14.. | 539 110808.... | 2    | CROSS LINK                                 | 34.. | 539 102582.... | 4    | NUT $\frac{7}{16}$ -14 WHZLCK                |
| 15.. | 539 976979.... | 7    | NUT $\frac{3}{8}$ -16 HEX NYLOC            | 35.. | 539 104864.... | 4    | WASHER $\frac{7}{16}$ FLAT                   |
| 16.. | 539 976989.... | 2    | PIN HAIR .120 x $2\frac{1}{2}$             | 36.. | 539 990655.... | 3    | HCS $\frac{3}{8}$ -16 x $1\frac{1}{2}$       |
| 17.. | 539 990365.... | 5    | PIN, COTTER, $\frac{1}{8}$ x $\frac{3}{4}$ | 37.. | 539 105184.... | 1    | PLATE, TIGHTENING                            |
| 18.. | 539 990580.... | 2    | HCS $\frac{1}{4}$ -20 x $\frac{3}{4}$      | 38.. | 539 105181.... | 1    | LIFT PEDAL                                   |
| 19.. | 539 990654.... | 4    | PIN COTTER $\frac{5}{32}$ x $1\frac{1}{4}$ | 39.. | 539 105187.... | 1    | PAD, ANTI-SKID                               |
| 20.. | 539 990717.... | 4    | NUT $\frac{5}{16}$ -18 HEX NYLOC           |      |                |      |  |

# SEAT



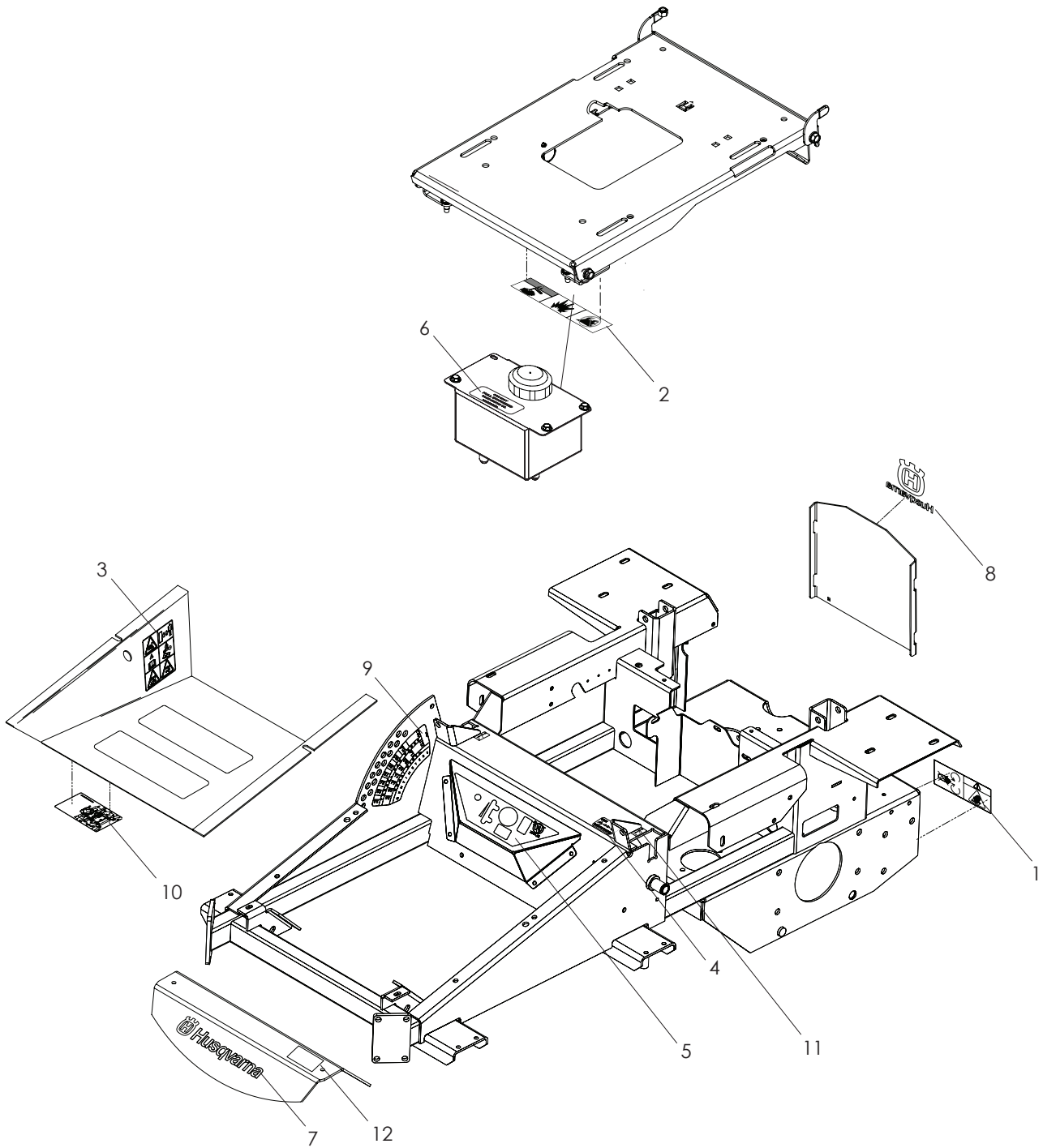
# SEAT

---

| ITEM | PART NO.       | QTY.   | DESCRIPTION                                 |
|------|----------------|--------|---|
| 1..  | 539 130873.... | 1 .... | SEAT  |
| 2..  | 539 990717.... | 4 .... | NUT <sup>5</sup> / <sub>16</sub> -18 NYLOC  |
| 3..  | 539 110300.... | 2 .... | SPRING, SEAT                                |
| 4..  | 539 990209.... | 2 .... | HCS <sup>5</sup> / <sub>16</sub> -18 X 1    |
| 5..  | 539 990692.... | 2 .... | WASHER <sup>5</sup> / <sub>16</sub> STD FLT |
| 6..  | 539 130785.... | 1 .... | PAN, SEAT                                   |
| 7..  | 539 130787.... | 1 .... | LATCH, SEAT                                 |
| 8..  | 539 130896.... | 4 .... | SB <sup>5</sup> / <sub>16</sub> -18 HEX HD  |
| 9..  | 539 130898.... | 2 .... | GRIP, VINYL                                 |
| 10.. | 539 977250.... | 1 .... | SPRING                                      |

| ITEM | PART NO.       | QTY.   | DESCRIPTION   |
|------|----------------|--------|---|
| 11.. | 539 130789.... | 2 .... | PIVOT, SEAT PAN   |
| 12.. | 539 107475.... | 4 .... | BOLT <sup>5</sup> / <sub>16</sub> -18 x <sup>3</sup> / <sub>4</sub> THD FRM |
| 13.. | 505 280001.... | 1 .... | TIE WRAP W/CLIP   |
| 14.. | 539 103247.... | 1 .... | LANYARD, SEAT   |
| 15.. | 539 990582.... | 1 .... | HCS <sup>3</sup> / <sub>8</sub> -16 X 1 WHIZLK                              |
| 16.. | 539 990517.... | 1 .... | WASHER <sup>3</sup> / <sub>8</sub> FLAT STD                                 |
| 17.. | 539 976979.... | 1 .... | NUT <sup>3</sup> / <sub>8</sub> -16 HEX NYLOC                               |
| 18.. | 539 104525.... | 1 .... | SEAT ROD  |
| 19.. | 539 990365.... | 1 .... | PIN, COTTER, <sup>1</sup> / <sub>8</sub> x <sup>3</sup> / <sub>4</sub>      |
| 20.. | 539 117398.... | 1 .... | SWITCH, SEAT N/C  |

# DECALS



# DECALS

---

| ITEM | PART NO.        | QTY.   | DESCRIPTION            | ITEM | PART NO.       | QTY.   | DESCRIPTION           |
|------|-----------------|--------|------------------------|------|----------------|--------|-----------------------|
| 1..  | 539 105744....  | 1 .... | DECAL, BELT DRIVES     | 10.. | 539 107289.... | 1 .... | DECAL, SERVICE        |
| 2..  | 539 105745....  | 1 .... | DECAL, BATTERY WARNING | 11.. | 539 103333.... | 2 .... | DECAL, MOTION CONTROL |
| 3..  | 539 111575 .... | 1 .... | DECAL, WARNING         | 12.. | 539 112518.... | 1 .... | DECAL, iZ21           |
| 4..  | 539 110974....  | 1 .... | DECAL, TRACKING        |      |                |        | NOT SHOWN             |
| 5..  | 539 110956....  | 1 .... | DECAL, CONSOLE         |      | 539 100128.... | 1 .... | DECAL, EXHAUST        |
| 6..  | 539 114832....  | 1 .... | DECAL, OIL TANK        |      | 539 109909.... | 1 .... | DECAL, MICHIGAN SEAT  |
| 7..  | 539 111047 .... | 1 .... | DECAL, HUSQVARNA       |      | 539 102670.... | 1 .... | DECAL, FUEL VALVE     |
| 8..  | 539 111055 .... | 1 .... | DECAL, CROWN           |      | 539 109909.... | 1 .... | DECAL, SEAT           |
| 9..  | 539 112606....  | 1 .... | DECAL, HEIGHT, iZE     |      |                |        |                       |