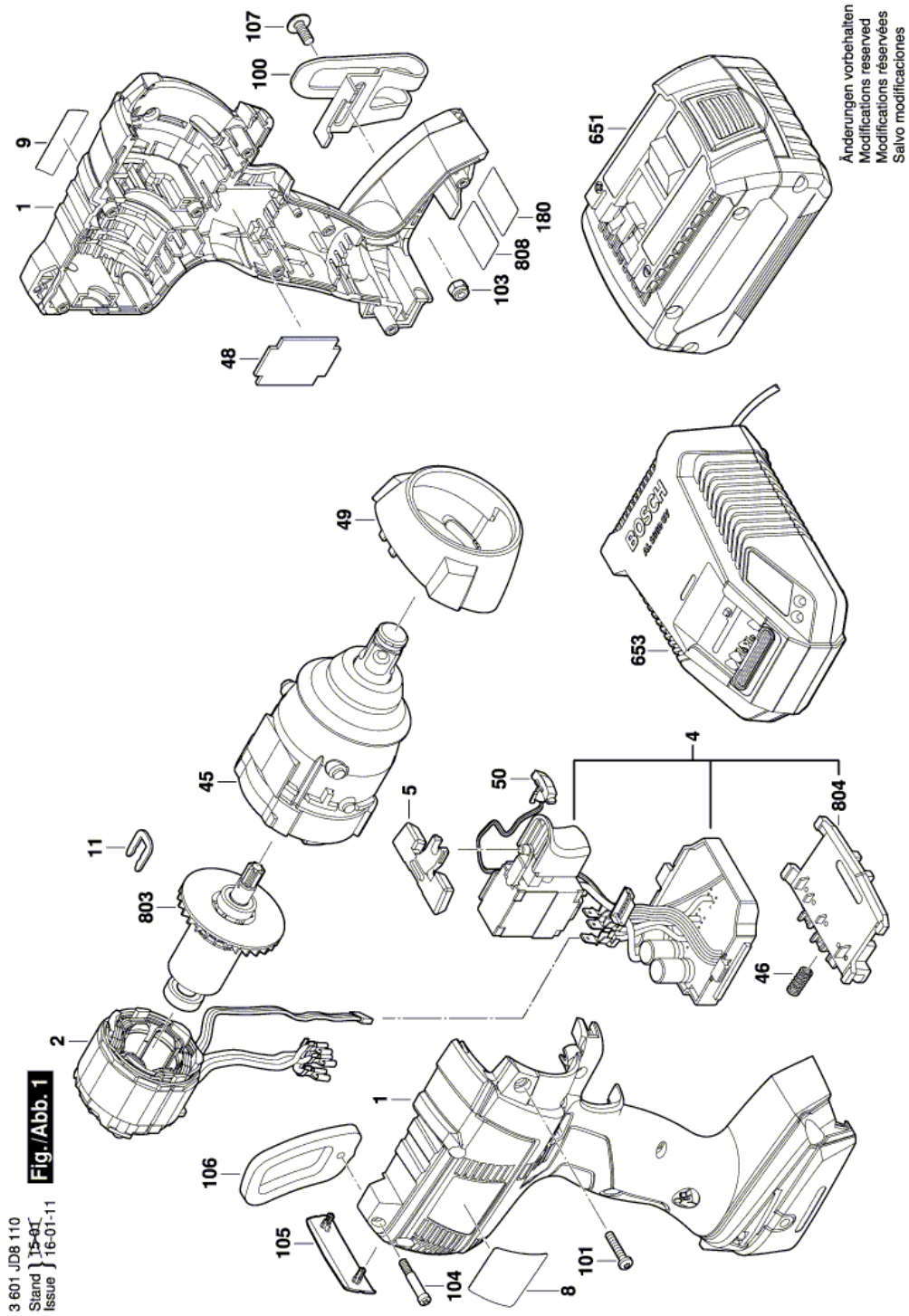


Illustration - Type E



Impact Wrench - 3 601 JD8 110 - IWMH182

www.powertools-aftersaleservice.com



BOSCH

Item	Part Number	Description	Illustration	Price	Quantity	Price Group
1	2 609 101 346	Housing	1	-,-	1	32
2	1 619 P08 594	Stator	1	-,-	1	34
4	1 600 A00 19T	Electronics Module	1	-,-	1	48
5	2 609 101 067	Adjusting lever	1	-,-	1	12
8	2 609 135 443	Warning Label	1	-,-	1	13
9	2 609 135 323	Manufacturer's nameplate LITHIUM-ION	1	-,-	1	13
11	2 609 110 838	Clip	1	-,-	1	10
45	2 609 199 869	Gear Box	1	-,-	1	45
46	1 609 280 477	Compression Spring	1	-,-	1	11
48	2 609 136 324	Protection	1	-,-	1	10
49	2 609 170 222	Protective Ring	1	-,-	1	17
50	2 609 101 083	Lens	1	-,-	1	11
100	2 609 111 584	Clip	1	-,-	1	15
101	2 609 110 201	Torx Flat-Head Screw 3x16	1	-,-	9	10
103	2 609 110 835	Nut	1	-,-	2	10
104	2 609 111 446	Pan head screw	1	-,-	1	10
105	2 609 101 393	Color clip	1	-,-	1	11
106	2 609 170 196	Protector	1	-,-	1	11
107	2 609 110 834	Screw	1	-,-	1	10
180	2 609 135 475	Warning Label	1	-,-	1	13
651	2 607 336 819	Battery Pack BBS MR-XL 18V, 4,0Ah, LI	1	-,-	1	51
653	2 607 225 429	Fast Charger USA 120/10,8-18V, 1h	1	-,-	1	41
808	2 609 135 196	Nameplate	1	-,-	1	13
803	2 609 199 757	Rotor 18V	1	-,-	1	36
804	1 609 280 478	Contact retainer	1	-,-	1	26