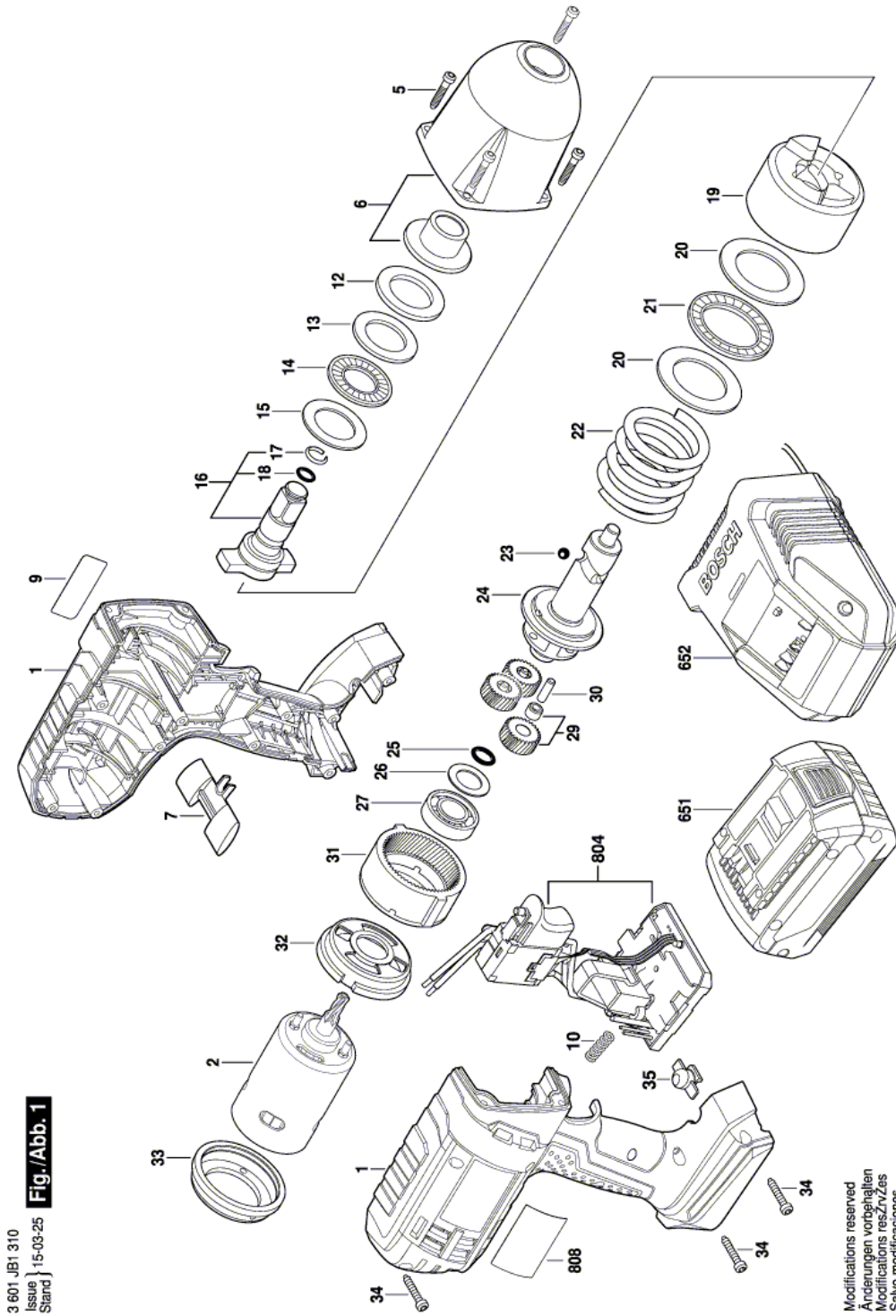


Illustration - Type E



3 601 JB1 310
Issue } 15-03-25
Stand }
Fig./Abb. 1

Modifications reserved
Änderungen vorbehalten
Modificaciones reserVadas
Salvo modificaciones

Information subject to change without further notice.

. - 3 601 JB1 310 - IWHT180

www.powertools-aftersaleservice.com

**BOSCH**

Item	Part Number	Description	Illustration	Price	Quantity	Price Group
1	2 610 008 197	Housing Set	1	-,-	1	46
2	2 610 943 875	Motor	1	-,-	1	51
5	2 610 943 873	Screw	1	-,-	4	11
6	2 610 943 874	Gear Housing	1	-,-	1	31
7	2 610 007 763	Lever	1	-,-	1	18
9	2 610 007 762	Label	1	-,-	1	15
10	1 609 280 477	Compression Spring	1	-,-	1	11
12	2 610 011 290	Rubber Ring	1	-,-	1	19
13	2 610 943 877	Anti-friction washer	1	-,-	1	20
14	2 610 943 878	Thrust Bearing	1	-,-	1	24
15	2 610 943 879	Anti-friction washer	1	-,-	1	23
16	2 610 943 880	Coupling Half	1	-,-	1	33
17	2 610 943 881	Metal Ring	1	-,-	1	16
18	2 610 011 291	O-Ring	1	-,-	1	10
19	2 610 943 883	Striker	1	-,-	1	48
20	2 610 943 884	Anti-friction washer	1	-,-	2	21
21	2 610 943 885	Thrust Bearing	1	-,-	1	24
22	2 610 943 886	Spring	1	-,-	1	28
23	2 610 943 887	Ball	1	-,-	2	14
24	2 610 943 888	Planetary-Gear Carrier	1	-,-	1	50
25	2 610 011 292	O-Ring	1	-,-	1	10
26	2 610 943 890	Washer	1	-,-	1	13
27	2 610 943 891	groove ball bearing	1	-,-	1	26
29	2 610 943 892	Conversion Gear	1	-,-	3	29
30	2 610 943 893	Bolt	1	-,-	3	17
31	2 610 007 757	Ring Gear	1	-,-	1	32
32	2 610 943 895	Rubber Collar	1	-,-	1	20
33	2 610 943 896	Rubber Collar	1	-,-	1	19
34	2 610 008 200	Screw	1	-,-	10	15
35	2 605 190 895	Lens	1	-,-	1	11
651	2 607 336 819	Battery Pack BBS MR-XL 18V, 4,0Ah, LI	1	-,-	1	51
652	2 607 225 429	Fast Charger USA 120/10,8-18V, 1h	1	-,-	1	41
652	2 607 225 321	Charger EU 230/10,8-18V, 30 MIN	1	-,-	1	47

Item	Part Number	Description	Illustration	Price	Quantity	Price Group
652	2 607 225 323	Charger GB 230/10,8-18V, 30 MIN	1	-,-	1	42
804	2 610 011 263	Electronic Assembly	1	-,-	1	49
808	2 610 011 073	Nameplate	1	-,-	1	16