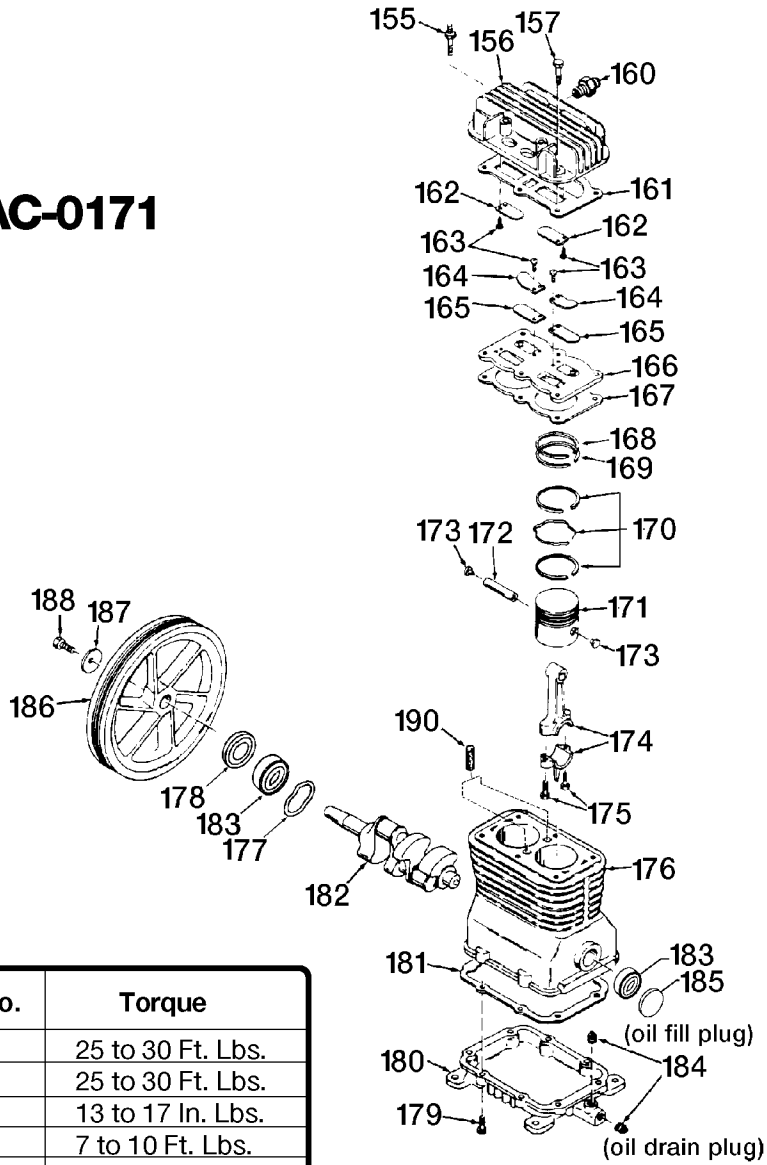


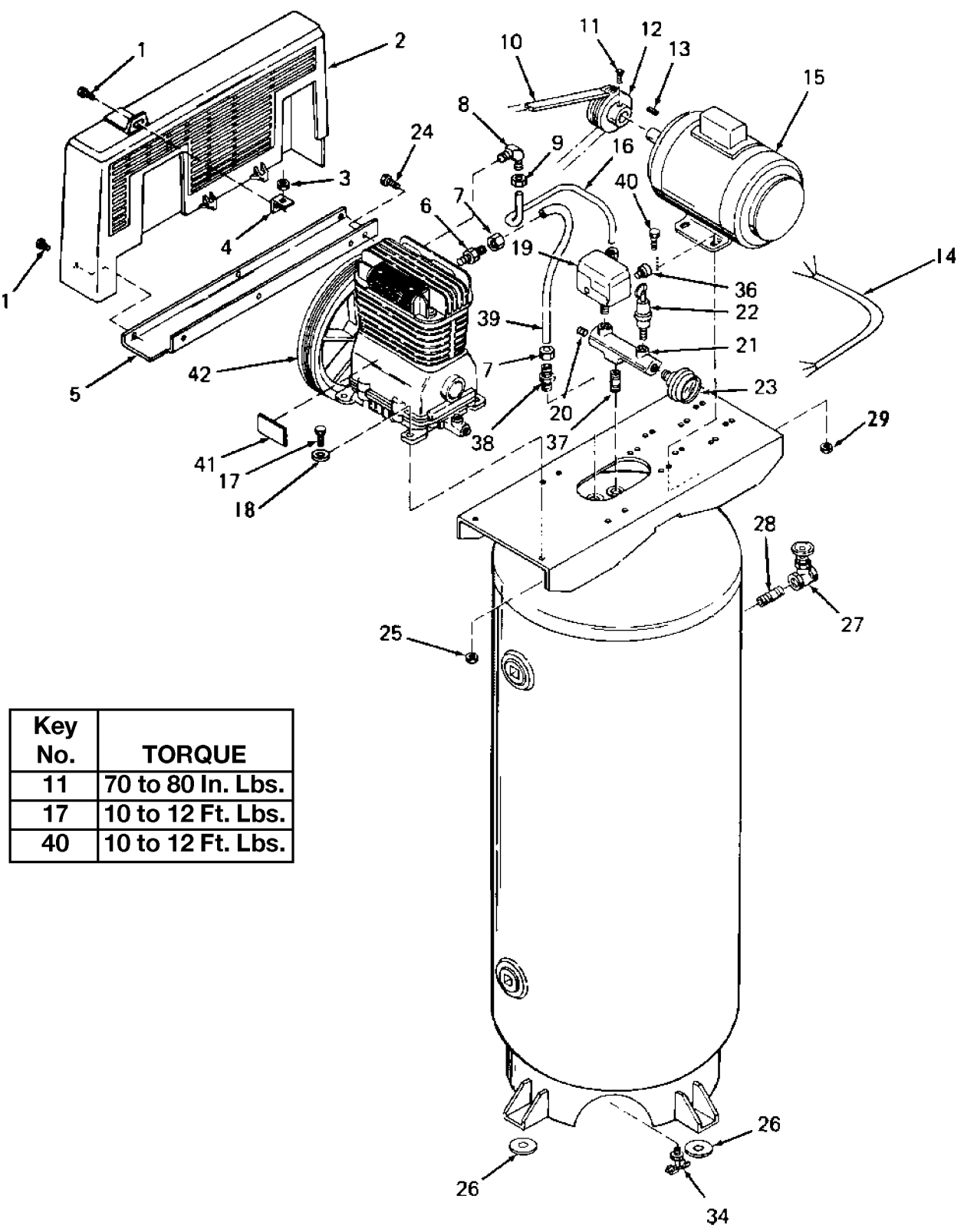
AC-0171



| Key No. | Torque |
|---------|-------------------|
| 155 | 25 to 30 Ft. Lbs. |
| 157 | 25 to 30 Ft. Lbs. |
| 163 | 13 to 17 In. Lbs. |
| 175 | 7 to 10 Ft. Lbs. |
| 179 | 9 to 12 Ft. Lbs. |
| 188 | 15 to 20 Ft. Lbs. |

Recommended Oils - One Stage Compressor Units

Use a compressor oil such as SAE 20-20W SF motor oil. (Crankcase oil capacity is 16 fluid ounces.) Under extreme winter conditions use 10 weight oil. Multiviscosity oil, 10W30, will leave carbon deposits on critical components, reducing performance and compressor life.



| Key No. | TORQUE |
|---------|-------------------|
| 11 | 70 to 80 In. Lbs. |
| 17 | 10 to 12 Ft. Lbs. |
| 40 | 10 to 12 Ft. Lbs. |

Parts List for IRL6560V Type 0

| Item Number | Part Number | Description | Qty Required |
|-------------|-------------|----------------------|--------------|
| 1 | SSF-953-ZN | SCREW #10X.625 HHW S | 4 |
| 2 | 000000-00 | No Longer Available | 1 |
| 3 | SSF-8113-ZN | NUT .375-16X.563 HEX | 1 |
| 4 | 000000-00 | No Longer Available | 1 |
| 5 | CAC-362-1 | CLOSURE BELTGUARD | 1 |
| 6 | SSP-9401 | CONNECTOR BODY STRAI | 1 |
| 7 | SSP-7812 | ASSY NUT SLEEVE 1/2 | 2 |
| 8 | SS-8553 | CONNECTOR BODY | 1 |
| 9 | SSP-7811 | ASSY NUT SLEEVE 1/4 | 1 |
| 10 | C-BT-224 | BELT 6J 47.3 EFF | 1 |
| 11 | SS-391 | SCREW .250-20 .625 S | 1 |
| 12 | C-PU-2861 | PULLEY 6J-SEC 2.80 O | 1 |
| 13 | SUDL-65 | KEY MOTOR SHAFT | 1 |
| 14 | CAC-4205 | CORD MOTOR SJT 14G | 1 |
| 15 | Z-MO-3022-1 | MOTOR 2 POLE 240V O/ | 1 |
| 16 | CAC-1331 | TUBE PRESSURE RELEAS | 1 |
| 17 | SSF-928 | SCREW .313-18X.875 H | 4 |
| 19 | 000000-00 | No Longer Available | 1 |
| 20 | SS-3222-CD | PLUG PIPE | 1 |
| 21 | CAC-95 | MANIFOLD | 1 |
| 22 | TIA-4150 | VALVE SAFETY 150 .25 | 1 |
| 23 | A18885 | GAUGE | 1 |
| 24 | 39124607 | SCREW .250-20X.625 H | 2 |
| 26 | 000000-00 | No Longer Available | 4 |
| 27 | N000323 | VALVE GLOBE 200 PSI | 1 |
| 29 | SSF-8150 | NUT .312-18 UNC HEX | 1 |
| 34 | N286039 | DRAIN VALVE | 1 |

Parts List for IRL6560V Type 0

| Item Number | Part Number | Description | Qty Required |
|-------------|--------------|----------------------|--------------|
| 36 | 33821-00 | BUSHING | 1 |
| 36 | 438010040063 | HEYCO BUSHINGS | 1 |
| 37 | SS-2110 | NIPPLE GALV 3/8 X 3 | 1 |
| 38 | CAC-437-2 | VALVE CHECK 1/2NPT X | 1 |
| 39 | CAC-357-1 | TUBE OUTLET 60G | 1 |
| 40 | 000000-00 | No Longer Available | 1 |
| 42 | N076027SV | PUMP ASSEMBLY | 1 |
| 155 | SSF-6627 | STUD SHOULDER 3/8-16 | 1 |
| 156 | Z-CAC-4213 | ASSY HEAD | 1 |
| 157 | SSF-955 | SCREW .375-16X1.50 H | 5 |
| 160 | SSP-9401 | CONNECTOR BODY STRAI | 1 |
| 161 | 5140118-80 | GASKET | 1 |
| 162 | KK-4275 | KIT VALVE | 1 |
| 163 | KK-4275 | KIT VALVE | 1 |
| 164 | CAC-294 | PLATE RESTRICTOR | 2 |
| 165 | KK-4275 | KIT VALVE | 1 |
| 166 | Z-CAC-4212-1 | ASSY VALVE PLATE | 1 |
| 167 | 5140118-79 | GASKET | 1 |
| 168 | 000000-00 | No Longer Available | 1 |
| 169 | 000000-00 | No Longer Available | 1 |
| 170 | 000000-00 | No Longer Available | 1 |
| 171 | CAC-55-1 | PISTON MACHINE DWG 2 | 1 |
| 172 | 265-19 | PIN PISTON | 2 |
| 173 | CAC-207 | PLUG PISTON PIN | 4 |
| 174 | 265-410 | ASSY CONNECTING ROD | 1 |
| 175 | SSF-927 | SCREW .250-20X1.125 | 4 |
| 176 | Z-AC-0205 | CRANKCASE & CYLINDER | 1 |

Parts List for IRL6560V Type 0

| Item Number | Part Number | Description | Qty Required |
|-------------|-------------|----------------------|--------------|
| 177 | SSN-1018 | WASHER WAVY SPRING 2 | 1 |
| 178 | AC-0169 | SEAL OIL | 1 |
| 179 | SSF-925 | SCREW .250-20X.875 H | 8 |
| 180 | 000000-00 | No Longer Available | 1 |
| 181 | 265-16-1 | GASKET BASE | 1 |
| 182 | Z-D22270 | CRANKSHAFT MACH BALL | 1 |
| 183 | SST-104 | BEARING 6205C3 | 2 |
| 184 | SSP-486 | PLUG PIPE 3/8 - 18 N | 2 |
| 185 | SSP-505 | PLUG 52MM OIL | 1 |
| 186 | 265-2 | FLYWHEEL 10 OD CI PO | 1 |
| 187 | SSN-1014-ZN | WASHER .339/.344 ID | 1 |
| 188 | SSF-3039-ZN | SCREW .313-18X.750 H | 1 |
| 190 | 265-6 | VENT FILTER | 2 |
| 856 | 000000-00 | No Longer Available | 1 |
| 856 | 5140118-37 | GASKET KIT | 1 |
| 856 | 5140123-08 | SCREW | 1 |
| 856 | 265-18 | RETAINER FILTER | 1 |
| 856 | KK-4275 | KIT VALVE | 1 |
| 856 | KK-5020 | KIT PRESSURE RELIEF | 1 |
| 856 | 265-17 | FILTER FELT | 1 |