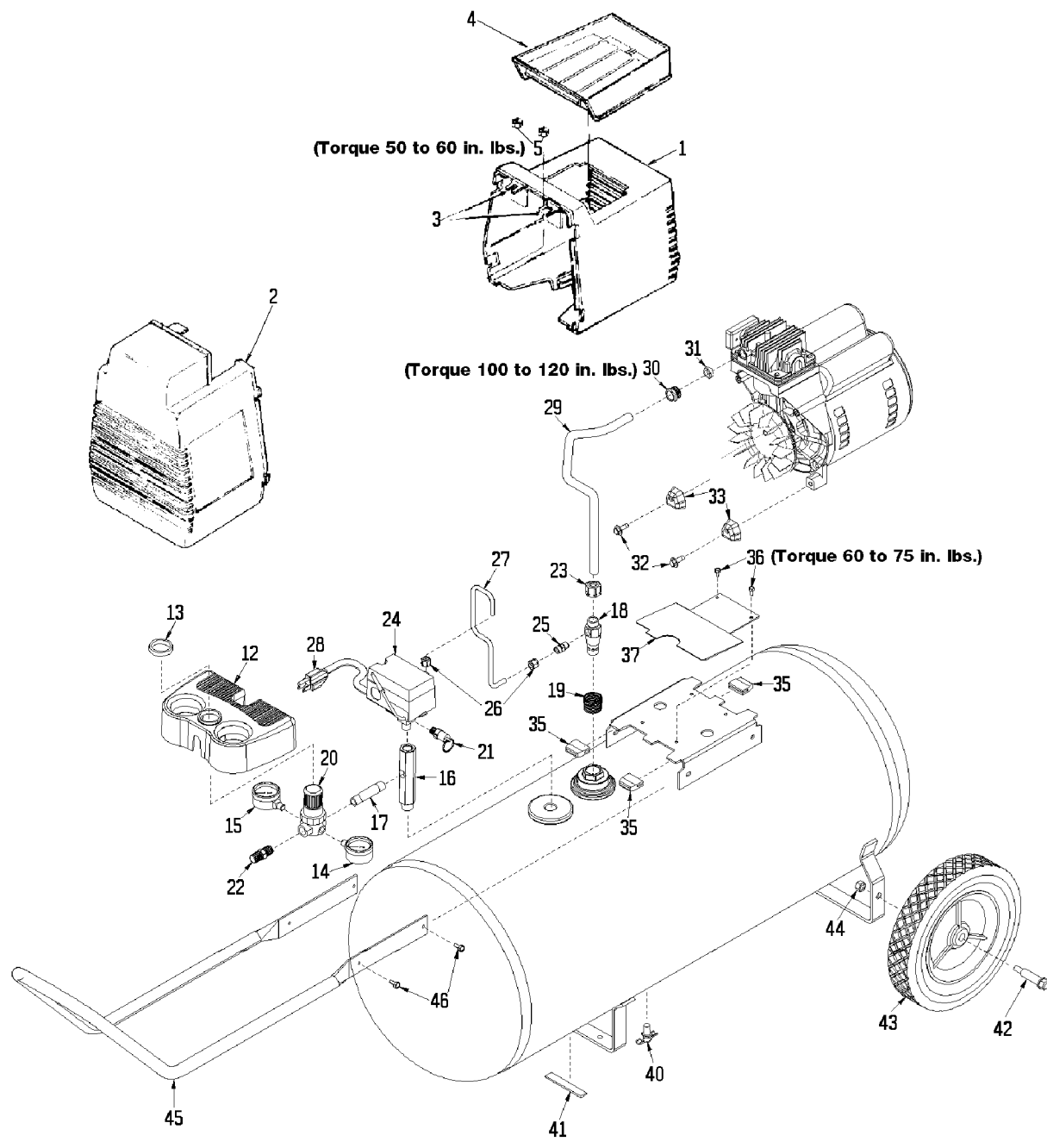


| KEY NO. | TORQUE |
|---------|---------------------|
| 55 | 7 to 10 Ft. Lbs. |
| 56 | 7 to 10 Ft. Lbs. |
| 66 | 100 to 120 In. Lbs. |
| 69 | 80 to 100 In. Lbs. |
| ◆ | 42 to 48 In. Lbs. |



Parts List for IRFC5020 Type 0

| Item Number | Part Number | Description | Qty Required |
|-------------|-------------|----------------------|--------------|
| 1 | AC-0046 | SHROUD REAR 3PT SING | 1 |
| 2 | AC-0078 | SHROUD FRONT BLK | 1 |
| 3 | CAC-1121 | BRACKET SHROUD | 2 |
| 4 | CAC-1080 | TRAY TOOL | 1 |
| 5 | 038738-00 | NUT | 2 |
| 12 | 000000-00 | No Longer Available | 1 |
| 13 | CAC-61 | RING PANEL MOUNTING | 1 |
| 14 | AC-0009-1 | GAUGE RIGHT HAND | 1 |
| 15 | Z-AC-0010-1 | GAUGE LEFT HAND | 1 |
| 16 | AC-0027-2 | STANDPIPE BRASS MALE | 1 |
| 17 | SSP-480 | NIPPLE 1/4-18 NPT X | 1 |
| 18 | A19711 | VALVE CHECK 1/2NPT X | 1 |
| 19 | 000000-00 | No Longer Available | 1 |
| 20 | AC-0007 | REGULATOR 4PORT P1P2 | 1 |
| 21 | 97503734 | VALVE SAFETY 150 .12 | 1 |
| 22 | D26889 | ADAPTER .25 NPT X .2 | 1 |
| 23 | SSP-7813 | ASSY NUT SLEEVE 3/8 | 1 |
| 24 | 5140112-18 | PRESSURE SWITCH | 1 |
| 25 | SS-8553 | CONNECTOR BODY | 1 |
| 26 | SSP-7811 | ASSY NUT SLEEVE 1/4 | 2 |
| 27 | AC-0028 | TUBE PRES REL .250OD | 1 |
| 28 | SUDL-413-2 | ASSY CORD POWER ST | 1 |
| 29 | AC-0125 | TUBE OUTLET .375OD A | 1 |
| 30 | SSP-7821-1 | NUT .563-18 UNF HEX | 1 |
| 31 | SSG-3105 | ORING 306/296ID 073/ | 1 |
| 32 | 91895680 | SCREW .250-20X.750 H | 2 |
| 33 | ACG-18 | CUP SADDLE MOUNT | 2 |

Parts List for IRFC5020 Type 0

| Item Number | Part Number | Description | Qty Required |
|-------------|-------------|----------------------|--------------|
| 35 | ACG-19 | ISOLATOR 3 POINT MOU | 3 |
| 36 | SSF-953-ZN | SCREW #10X.625 HHW S | 2 |
| 37 | AC-0047 | GUARD FAN | 1 |
| 40 | N286039 | DRAIN VALVE | 1 |
| 41 | SUDL-6-1 | STRIP RUBBER FOOT | 1 |
| 42 | CAC-60 | BOLT .375-16X2.25 UN | 2 |
| 43 | D23138 | WHEEL 9 BLACK SEMI-P | 2 |
| 44 | SSF-8080-ZN | NUT .375-16 UNC-2B H | 2 |
| 45 | 000000-00 | No Longer Available | 1 |
| 46 | SSF-981 | SCREW .250-14X.500 H | 4 |
| 50 | KK-4981 | KIT MUFFLER FILTER | 1 |
| 51 | DAC-143 | FILTER INTAKE | 1 |
| 52 | KK-4981 | KIT MUFFLER FILTER | 1 |
| 53 | KK-4981 | KIT MUFFLER FILTER | 1 |
| 54 | AC-0037 | HEAD 3/8 OUTLET FRON | 1 |
| 55 | SSF-589 | STUD 1/4 - 20 X 1.12 | 1 |
| 56 | SSF-927 | SCREW .250-20X1.125 | 1 |
| 57 | ACG-45 | ORING P/L HEAD | 1 |
| 58 | Z-AC-0032 | ASSY VALVE PLATE | 1 |
| 59 | SSG-8156 | ORING 2.759/2.719ID | 1 |
| 60 | KK-4835 | KIT CONNECTING ROD L | 1 |
| 61 | KK-4835 | KIT CONNECTING ROD L | 1 |
| 62 | Z-MO-9045 | MOTOR P/L 3PT STD | 1 |
| 65 | Z-AC-0140 | ASSY ECCENTRIC BEARI | 1 |
| 66 | SSF-990 | SCREW .250-20X1.25 U | 1 |
| 67 | AC-0108 | FAN 5.75 DIA | 1 |
| 69 | SSF-586 | SCREW .250-20X.750 U | 1 |

Parts List for IRFC5020 Type 0

| Item Number | Part Number | Description | Qty Required |
|-------------|-------------|-----------------------|--------------|
| 70 | SSF-3158-1 | SCREW #10-24X.750 TH | 1 |
| 71 | KK-4835 | KIT CONNECTING ROD L | 1 |
| 856 | KK-4315 | KIT VALVE REPLACEMENT | 1 |
| 856 | KK-4835 | KIT CONNECTING ROD L | 1 |
| 856 | KK-4981 | KIT MUFFLER FILTER | 1 |
| 856 | KK-4315 | KIT VALVE REPLACEMENT | 1 |
| 856 | D21217 | KIT START CAPACITOR | 1 |
| 856 | D28993 | SHIM .020 THICK PERM | 1 |
| 856 | K-0650 | KIT COMP RING REPLAC | 1 |