

(Torque 80 to 100 in. lbs.)

(Torque 100 to 120 in. lbs.)

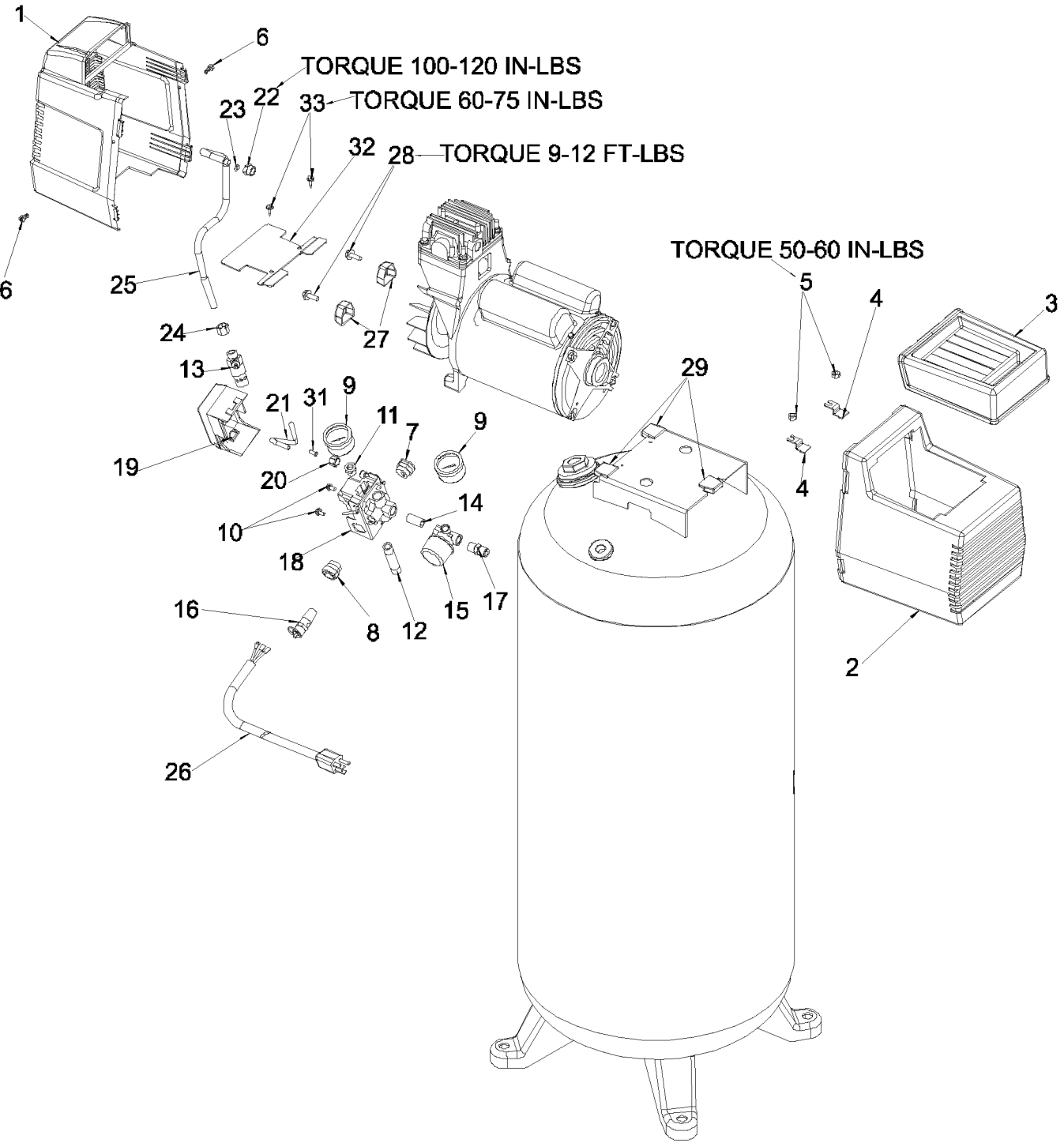
(Torque 42 to 48 in. lbs.)

55 (Torque 7 to 10 ft. lbs.)

56 (Torque 7 to 10 ft. lbs.)

Assemble connecting rod so that the outside of rod is flush with outside of bearing.

Position location mark toward the motor.



Parts List for IRF5030V Type 0

| Item Number | Part Number | Description | Qty Required |
|-------------|--------------|-----------------------|--------------|
| 1 | 000000-00 | No Longer Available | 1 |
| 1 | AC-0400 | SHROUD FRONT PANCAKE | 1 |
| 2 | 000000-00 | No Longer Available | 1 |
| 2 | AC-0046 | SHROUD REAR 3PT SING | 1 |
| 3 | CAC-1080 | TRAY TOOL | 1 |
| 4 | CAC-1121 | BRACKET SHROUD | 2 |
| 5 | 038738-00 | NUT | 2 |
| 6 | SSF-3156 | SCREW #10-9X.500 THD | 2 |
| 7 | 33821-00 | BUSHING | 1 |
| 7 | 438010040063 | HEYCO BUSHINGS | 1 |
| 8 | SSW-7385 | BUSHING STRAIN RELIEF | 1 |
| 9 | Z-D23004 | GAUGE 1.5OD 200PSI . | 1 |
| 10 | SSF-1001-1 | SCREW #10-32X.375 HH | 2 |
| 11 | SSP-6021 | BUSHING REDUCER 1/8- | 1 |
| 12 | SSP-480 | NIPPLE 1/4-18 NPT X | 1 |
| 13 | A19711 | VALVE CHECK 1/2NPT X | 1 |
| 14 | N044990 | NIPPLE CLOSE 1/4-18 | 1 |
| 15 | CAC-4296-1 | REGULATOR 3PORT P2 L | 1 |
| 16 | TIA-4150 | VALVE SAFETY 150 .25 | 1 |
| 17 | D26889 | ADAPTER .25 NPT X .2 | 1 |
| 18 | 000000-00 | No Longer Available | 1 |
| 19 | 000000-00 | No Longer Available | 1 |
| 20 | SSP-7811 | ASSY NUT SLEEVE 1/4 | 1 |
| 21 | CAC-1085-1 | TUBE PRESSURE RELIEF | 1 |
| 22 | SSP-7821-1 | NUT .563-18 UNF HEX | 1 |
| 23 | SSG-3105 | ORING 306/296ID 073/ | 1 |
| 24 | SSP-7813 | ASSY NUT SLEEVE 3/8 | 1 |

Parts List for IRF5030V Type 0

| Item Number | Part Number | Description | Qty Required |
|-------------|-------------|----------------------|--------------|
| 25 | 000000-00 | No Longer Available | 1 |
| 26 | SUDL-413-2 | ASSY CORD POWER ST | 1 |
| 27 | ACG-18 | CUP SADDLE MOUNT | 2 |
| 28 | 91895680 | SCREW .250-20X.750 H | 2 |
| 29 | ACG-19 | ISOLATOR 3 POINT MOU | 3 |
| 31 | 5130039-00 | SLEEVE | 1 |
| 32 | AC-0397 | GUARD FAN | 1 |
| 33 | SSF-953-ZN | SCREW #10X.625 HHW S | 1 |
| 50 | KK-4981 | KIT MUFFLER FILTER | 1 |
| 51 | DAC-143 | FILTER INTAKE | 1 |
| 52 | KK-4981 | KIT MUFFLER FILTER | 1 |
| 53 | KK-4981 | KIT MUFFLER FILTER | 1 |
| 54 | AC-0037 | HEAD 3/8 OUTLET FRON | 1 |
| 55 | SSF-589 | STUD 1/4 - 20 X 1.12 | 1 |
| 56 | SSF-927 | SCREW .250-20X1.125 | 1 |
| 57 | ACG-45 | ORING P/L HEAD | 1 |
| 58 | Z-AC-0032 | ASSY VALVE PLATE | 1 |
| 59 | SSG-8156 | ORING 2.759/2.719ID | 1 |
| 60 | KK-4835 | KIT CONNECTING ROD L | 1 |
| 61 | KK-4835 | KIT CONNECTING ROD L | 1 |
| 62 | Z-MO-9045 | MOTOR P/L 3PT STD | 1 |
| 65 | Z-AC-0140 | ASSY ECCENTRIC BEARI | 1 |
| 66 | SSF-990 | SCREW .250-20X1.25 U | 1 |
| 67 | AC-0108 | FAN 5.75 DIA | 1 |
| 69 | SSF-586 | SCREW .250-20X.750 U | 1 |
| 70 | SSF-3158-1 | SCREW #10-24X.750 TH | 1 |
| 71 | KK-4835 | KIT CONNECTING ROD L | 1 |

Parts List for IRF5030V Type 0

| Item Number | Part Number | Description | Qty Required |
|-------------|-------------|----------------------|--------------|
| 72 | KK-4835 | KIT CONNECTING ROD L | 1 |
| 856 | KK-4981 | KIT MUFFLER FILTER | 1 |
| 856 | N286039 | DRAIN VALVE | 1 |
| 856 | KK-4835 | KIT CONNECTING ROD L | 1 |
| 856 | K-0650 | KIT COMP RING REPLAC | 1 |
| 856 | KK-4315 | KIT VALVE REPLACEMEN | 1 |