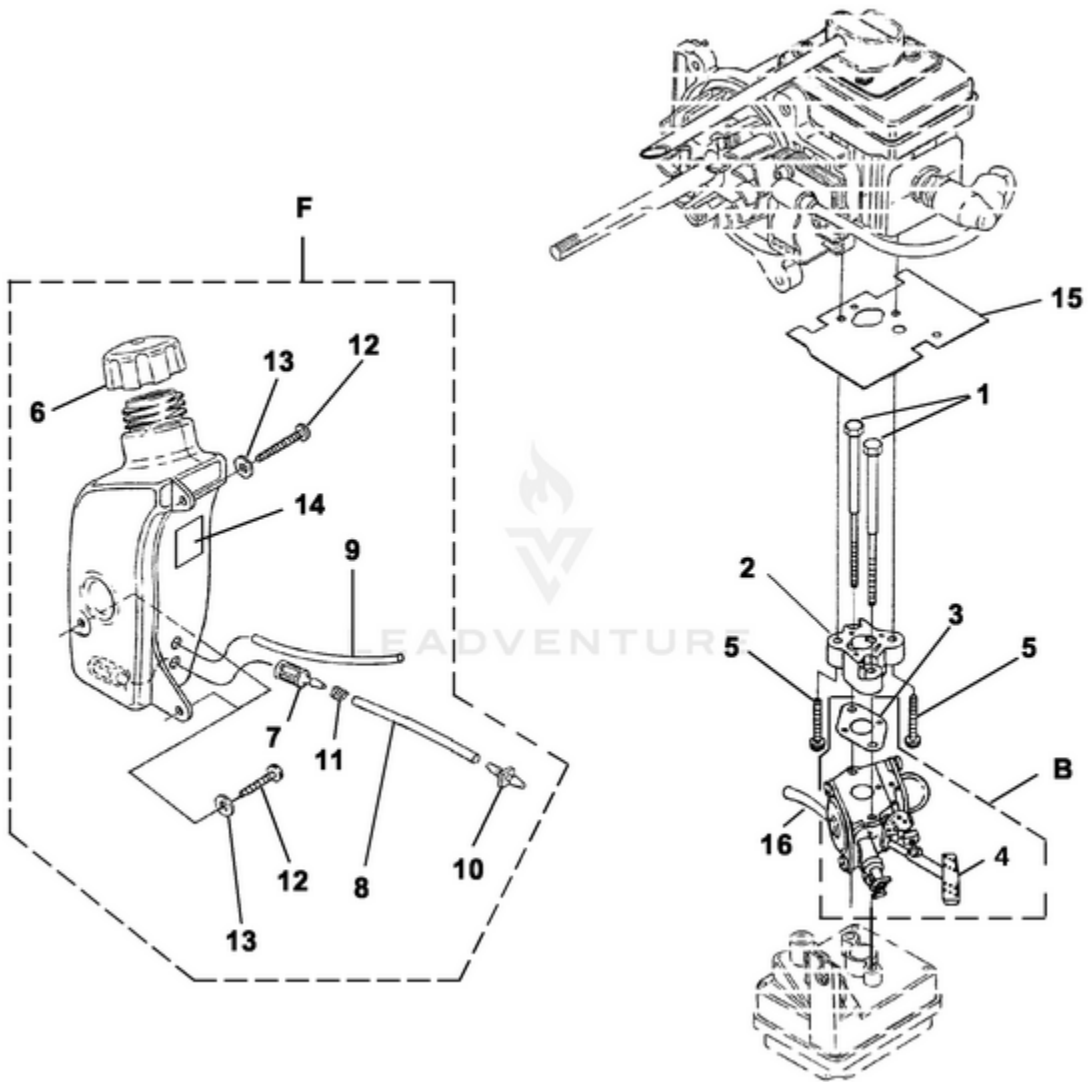


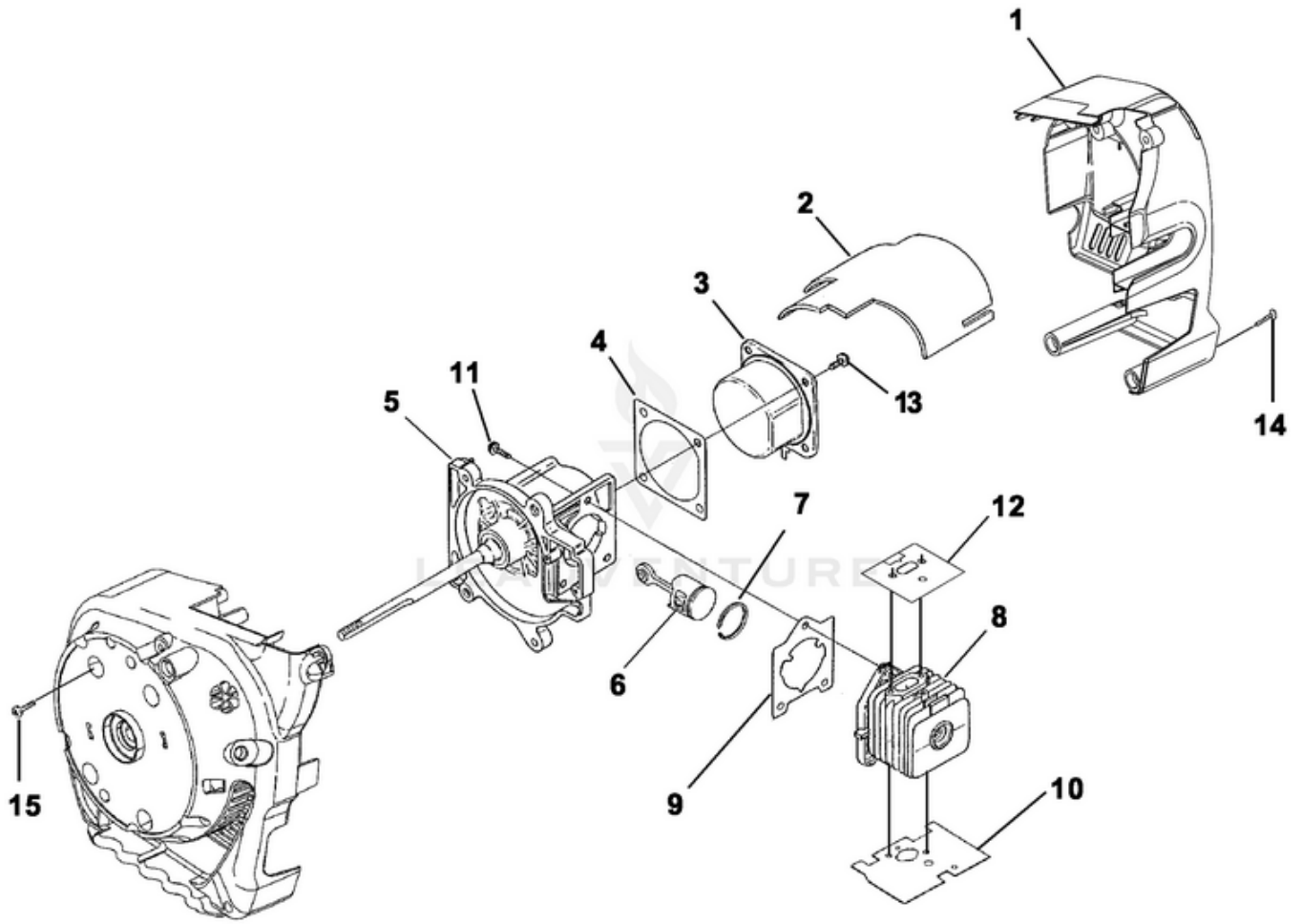
i30mhv Blower UT-08089 - Carburetor - Fuel Tank



Rendered by LeadVenture, Inc.

Ref #	Part #	Description	Qty	Context Note
1	UP04307	Screw, Machine (10-24 x 2.8)	2	Torque to 30 - 40 In/Lbs; 3.4 - 4.5 Nm; See Torque Specs, "Muffler - Air Cleaner" illustration and parts list, Item 10.
2	UP03863	Heat Dam	1	
B	UP00654	Carburetor Assembly	1	
3	UP03916	Gasket, Carburetor	1	Also included with Short Block and Cylinder assemblies.
4	UP04278	Lever, Choke (Zama)	1	
5	UP04140	Screw, Sems (10-24 x 1")	2	Also included with Short Block and Cylinder assemblies; Torque to 50 - 60 In/Lbs; 5.6 - 6.8 Nm; Red 262 Loctite Required
F	UP00495	Fuel Tank Assy.	1	
6	UP04708	Fuel Cap	1	
7	UP03871	Fuel Filter	1	
8	UP04347	Tubing, Rubber (3")	1	
9	UP04294	Tubing, Rubber (5")	1	
10	UP04310	Fitting, Inlet (small for 2.5mm ID fuel line)	1	
	UP03831	Fitting, Inlet (large for 3mm ID fuel line)	1	
11	UP03913	Clamp, Wire	1	
		Screw, Thread		
12	UP03900	Forming (10-14 x 3/4)	3	Torque to 30 - 40 In/Lbs; 3.0 - 4.0 Nm
13	UP03867	Washer	3	
14	UP03907	Tape, Aluminum	1	
15	UP04308	Gasket, Heat Dam	1	Also included with Short Block and Cylinder assemblies.
16	UP04294	Tubing, Rubber (5")	1	

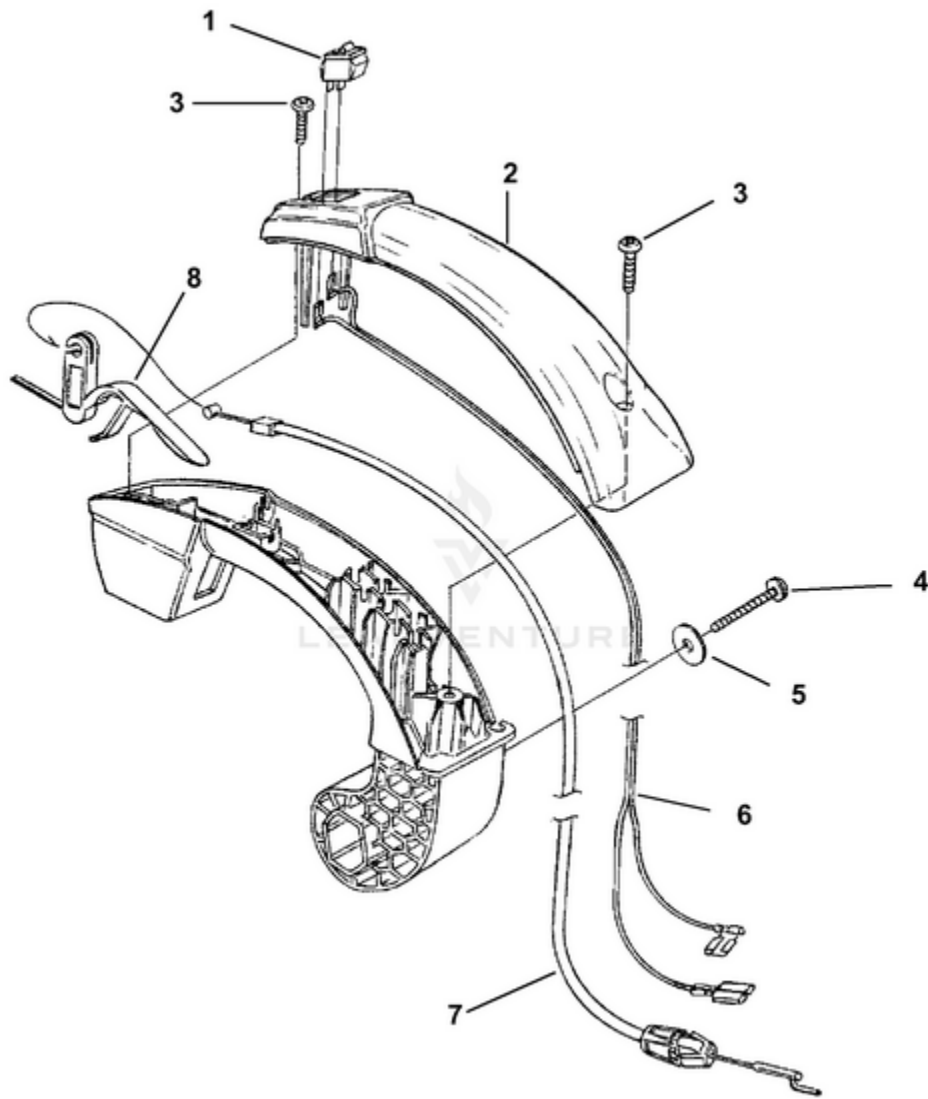
i30mhv Blower UT-08089 - Engine Internal



Rendered by LeadVenture, Inc.

Ref #	Part #	Description	Qty	Context Note
1	UP04314	Shroud	1	
2	UP04322	Heat Shield, Muffler	1	
3	UP06543	Crankcase Cover	1	
4	UP04335	Gasket, C/Case	1	Also Included in Short Block and Cylinder assemblies.
5	UP03131	Short Block (Svc) (30cc)	1	
6	UP03366	Piston & Rod (30cc)	1	
7	UP03837	Piston Ring (30cc)	2	
8	UP07146	Cylinder Kit (30cc)	2	
9	UP03857	Gasket, Cylinder	1	
10	UP04308	Gasket, Heaat Dam	1	
11	UP04345	Screw, Sems (12-24 x 3/4)	3	
12	UP03817	Gasket, Muffler	1	
13	PS01565	Screw, Sems (10-24 x .560)	4	
5	UP03133	Short Block (Svc) (25cc)	1	
6	UP00768	Piston & Rod (25cc)	1	
7	UP03838	Piston Ring (25cc)	1	
8	UP04136	Cylinder Kit (25cc)	1	
9	UP03857	Gasket, Cylinder	1	
10	UP04308	Gasket, Heaat Dam	1	
11	UP04345	Screw, Sems (12-24 x 3/4)	3	Torque to 55 - 65 In/Lbs; 6.2 - 7.3 Nm; Red 262 Loctite Required
12	UP03817	Gasket, Muffler	1	
13	PS01565	Screw, Sems (10-24 x .560)	4	Torque to 35 - 45 In/Lbs; 4.0 - 5.1 Nm; Red 262 Loctite Required
14	UP03895	Screw, Thread Forming (10-14 x 7/8)	5	Torque to 30 - 40 In/Lbs; 3.4 - 4.6 Nm
15	UP03406	Taptite, Truss (10-24 x 3/4)	4	Torque to 55 - 60 In/Lbs; 6.2 - 6.8 Nm

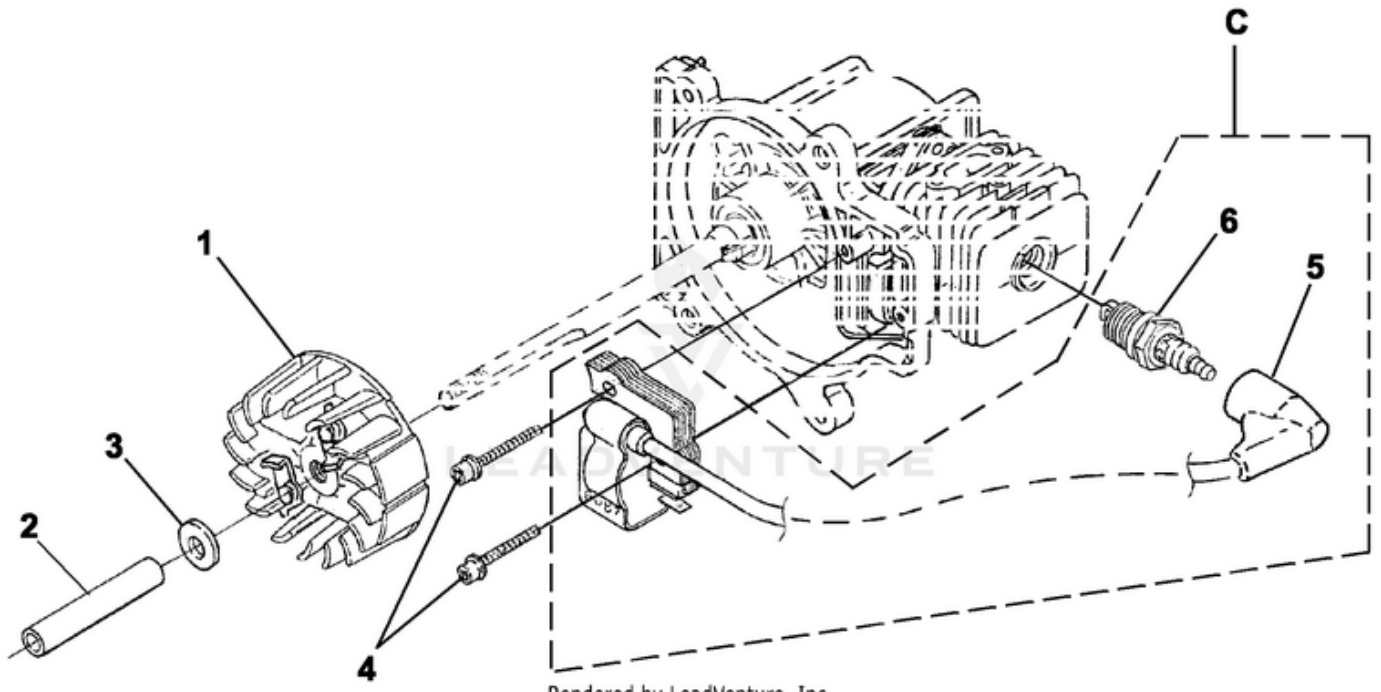
i30mhv Blower UT-08089 - Handle



Rendered by LeadVenture, Inc.

Ref #	Part #	Description	Qty	Context Note
	UP06900	Handle Assembly	1	
1	UP04320	Switch, Rocker (Stop)	1	
2	UP04325	Handle Cover	1	
3	UP03898	Screw, Thread Forming (8-16 X 1/2)	2	Torque to 10 - 25 In/Lbs; 1.1 - 2.8 Nm
4	UP03895	Screw, Thread Forming (10-14 X 7/8)	1	Torque to 30 - 45 In/Lbs; 3.4 - 5.1 Nm
5	UP06901	Washer, Flat	1	
6	UP04333	Kill Switch Lead	1	
7	UP04327	Cable, Throttle	1	
8	UP04326	Trigger	1	

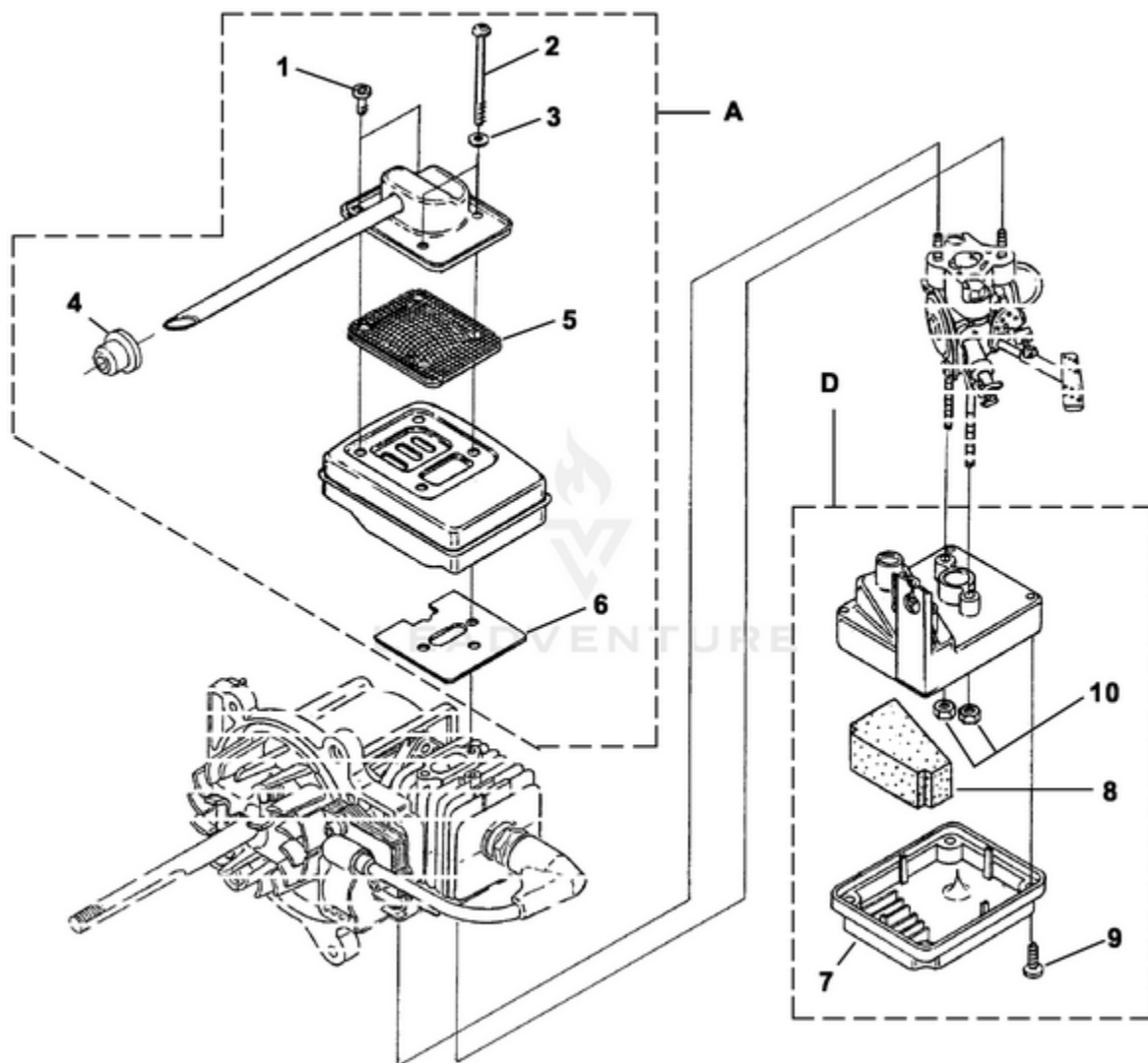
i30mhv Blower UT-08089 - Ignition



Rendered by LeadVenture, Inc.

Ref #	Part #	Description	Qty	Context Note
1	UP03009	Rotor & Starter Pawls	1	
2	UP03855	Spacer	1	
3	UP03906	Washer, Flat	1	
4	UP03896	Screw-Thread Forming (8-32 X 1)	2	Torque to 30 - 40 In/Lbs; 3.4 - 4.5 Nm; 242 Blue Loctite Required
C	UP03858	Ignition Kit	1	
5	UP03868	Terminal & Cover	1	
6	UP03883	Resistor Spark Plug (RDJ-7Y)	1	Torque to 120 - 180 In/Lbs; 13.6 - 20.3 Nm

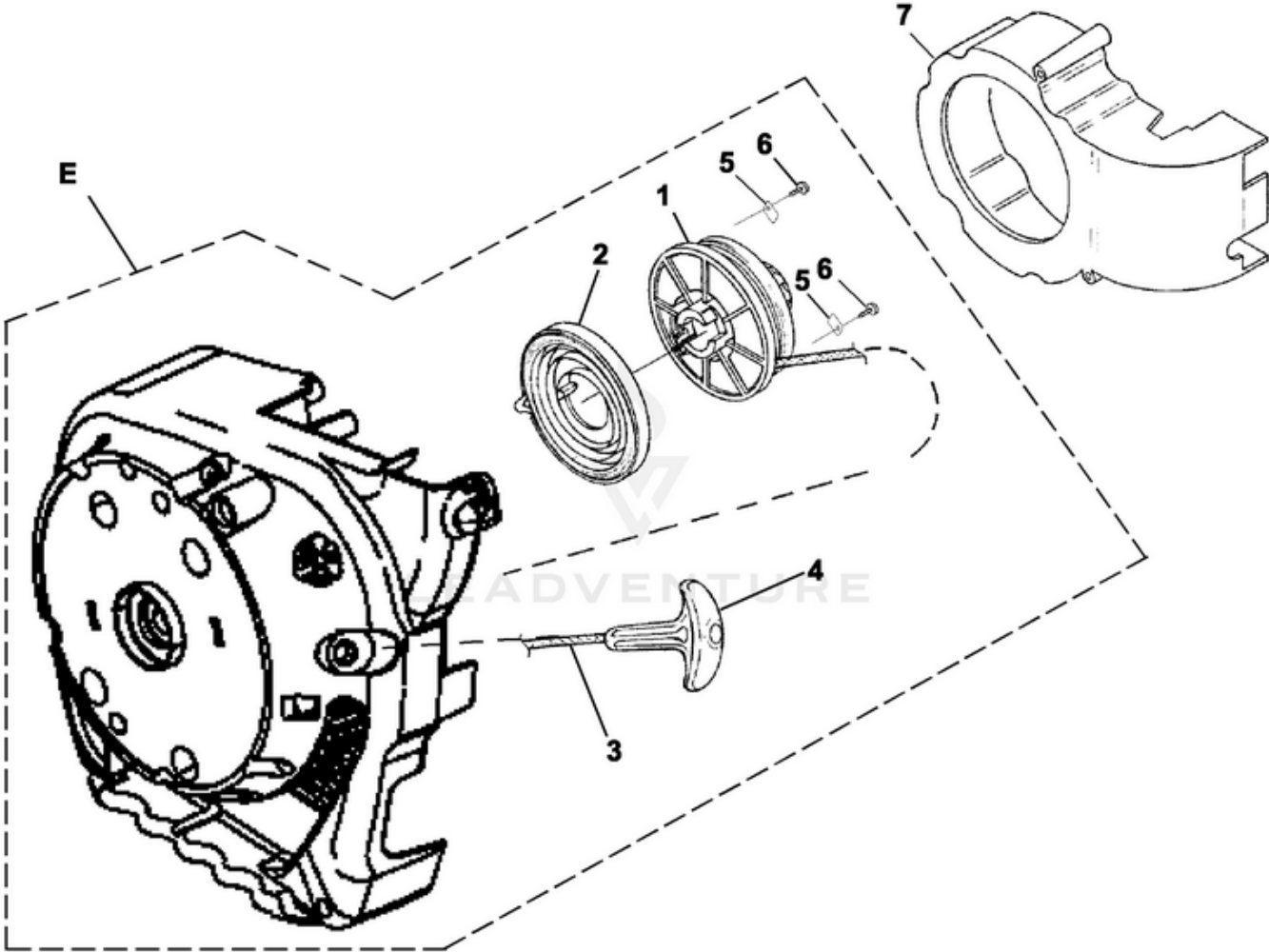
i30mhv Blower UT-08089 - Muffler - Air Cleaner



Rendered by LeadVenture, Inc.

Ref #	Part #	Description	Qty	Context Note
A	UP06823	Muffler Assembly, Crimped	1	
1	UP04248	Screw, Taptite (8-32 x 3/8)	2	Torque to 20 - 30 In/Lbs; 2.3 - 3.4 Nm
2	UP04249	Screw, Torx Truss Hd. (10-24 X 2.188")	2	Torque to 50 - 60 In/Lbs; 5.6 - 6.8 Nm
3	UP03866	Washer, Conical #10	2	
4	UP04321	Muffler Grommet	1	
5	UP04316	Screen Assy., Spark	1	
6	UP03817	Gasket, Muffler	1	Also included with Short Block and Cylinder assemblies.
D	UP06824	Air Filter Assembly	1	
7	UP04318	Cover, Air Box	1	
8	UP04323	Filter Element #1	1	
9	UP03893	Screw, Thread Forming (8-16 X .50)	4	Torque to 30 - 40 In/Lbs; 3.4 - 4.5 Nm
10	UP03885	Nut, Lock Hex (10-24)	2	Torque to 30 - 40 In/Lbs; 3.4 - 4.5 Nm

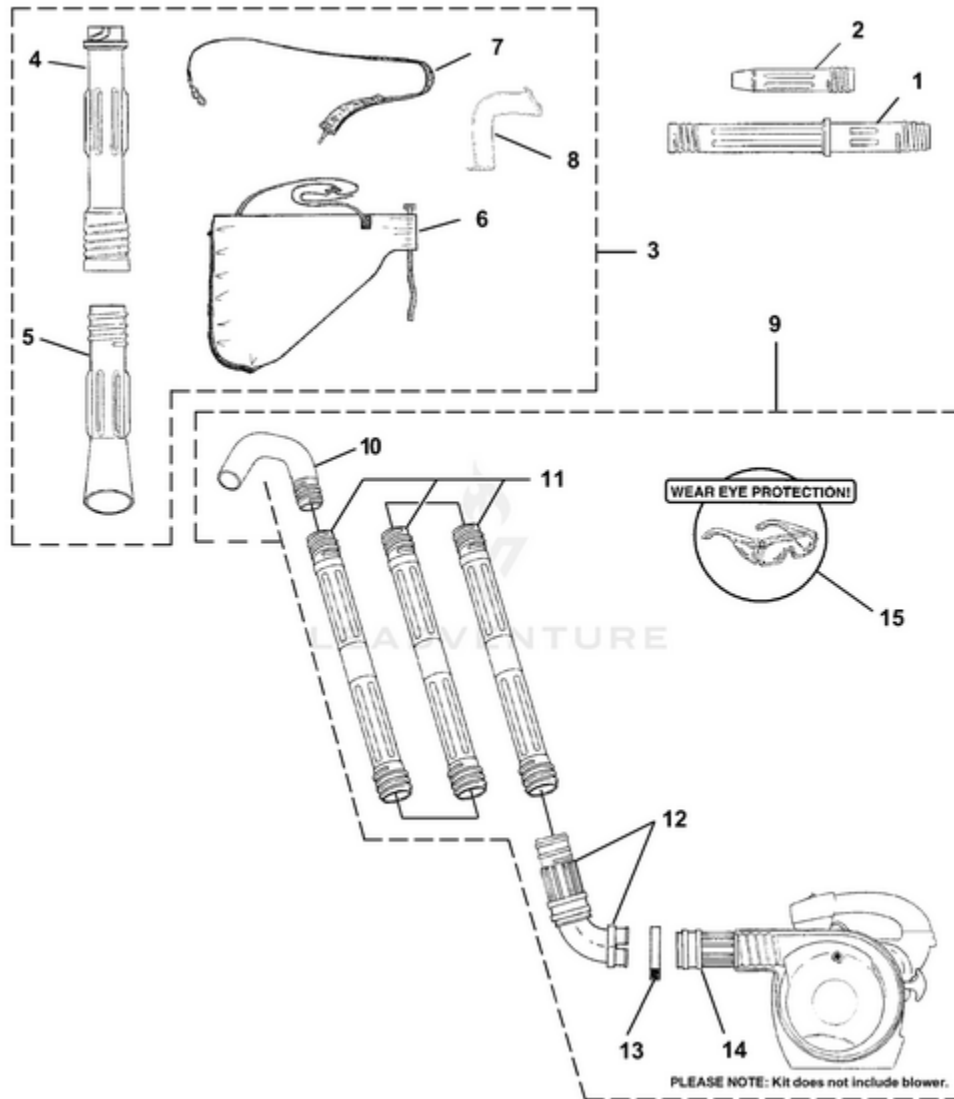
i30mhv Blower UT-08089 - Starter



Rendered by LeadVenture, Inc.

Ref #	Part #	Description	Qty	Context Note
E	UP00497	Starter (Svc)	1	
1	UP04349	Pulley, Starter	1	
2	UP03917	Spring & Container	1	
3	UP03912	Rope, Starter 42"	1	
4	UP04276	Grip, Starter	1	
5	UP03919	Bracket-Retaining	2	
6	UP03897	Screw-Plastite (#10-1/2")	2	Torque to 30 - 40 In/Lbs; 3.4 - 4.5 Nm
7	UP04319	Scroll	1	

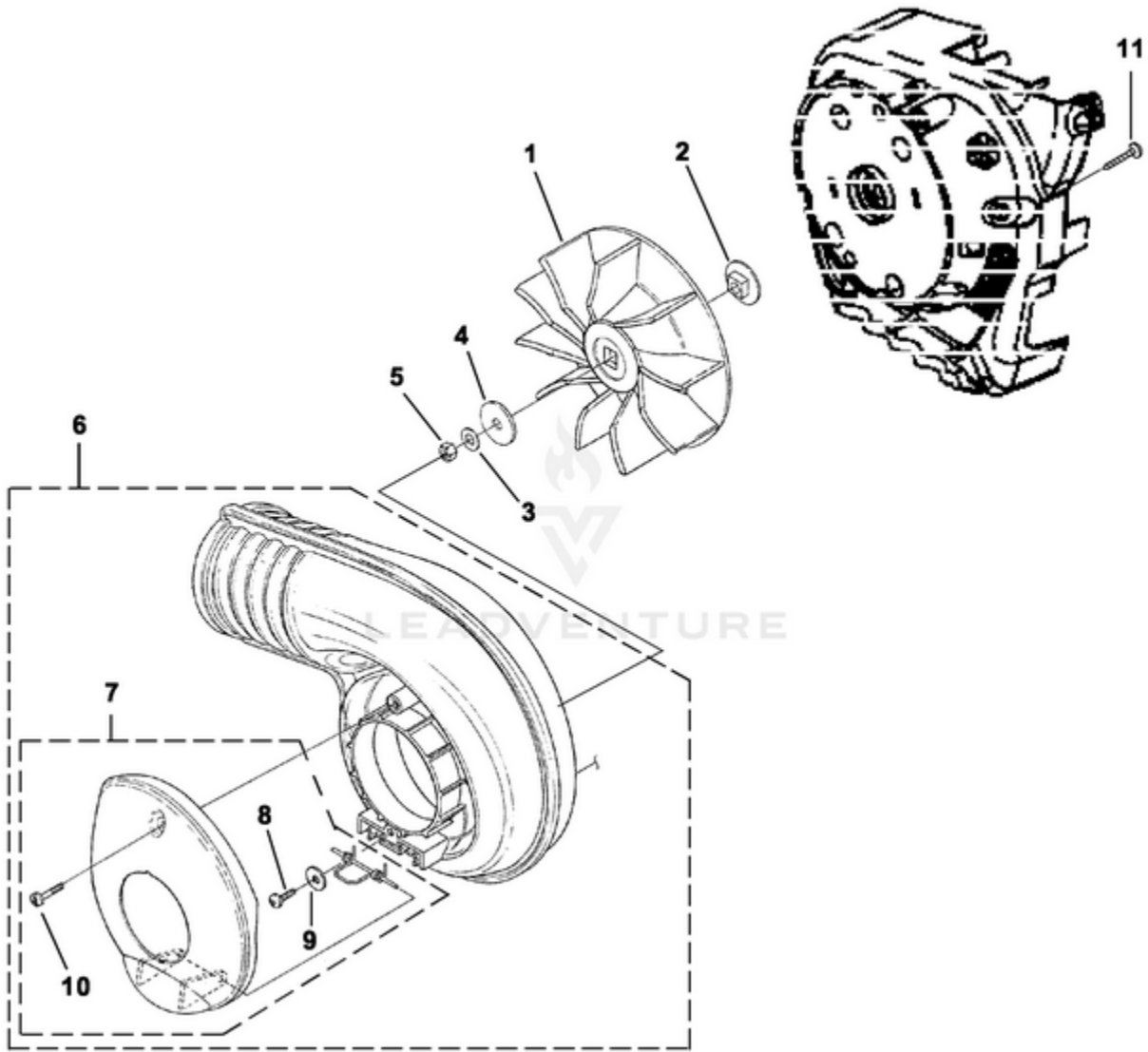
i30mhv Blower UT-08089 - Tubes - Strap - Accessories



Rendered by LeadVenture, Inc.

Ref #	Part #	Description	Qty	Context Note
1	UP04317	Tube, Blower	1	
2	UP04324	Nozzle, Blower	1	
3	A09293	Vacuum Kit		
4	UP04328	Vac Tube, Upper	1	
5	UP04329	Vac Tube, Lower	1	
6	UP04548	Bag	1	
7	UP06723	Shoulder Strap	1	
8	UP06902	Air Deflector	1	
9	A02514D	Gutter Maintenance Kit	1	
10	UP06830	Full Elbow	1	
11	UP05618	Straight Tube	3	
12	UP06836	Upper Elbow & Swivel Adapter	1	
13	UP03821	Large Clamp	1	
14	UP06868	Adapter	1	
15	UP06835	Safety Glasses - Clear	1	
	18416	Electronic Tachometer		Special Tools
	18774	Fuel Mix Tester		Special Tools
	23488C	Thread Locking Compound		Special Tools
	2498203	T25 Torx Bit 6" Long		Special Tools
	94194	Compression Tester		Special Tools
	JA313164	Spark Tester		Special Tools

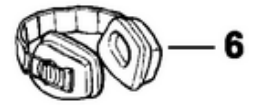
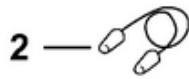
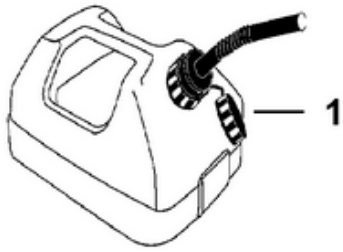
i30mhv Blower UT-08089 - Volute - Fan



Rendered by LeadVenture, Inc.

Ref #	Part #	Description	Qty	Context Note
1	UP04311	Fan	1	
2	UP04303	Adapter, Fan	1	
3	UP03835	Washer, Belleville	1	
4	UP03873	Washer, Flat	1	
5	UP03884	Nut (3/8-24)	1	Torque to 130 - 150 In/Lbs; 14.7 - 17.0 Nm
6	UP06899	Volute W/Door Assembly	1	
7	UP06898	Volute Door	1	
8	UP03897	Screw, Thread Forming (10-14 X 1/2)	1	Torque to 30 - 40 In/Lbs; 3.4 - 4.5 Nm
9	UP03909	Washer	1	
10	UP04547	Screw, Machine (10-24 X 3/4)	1	Torque to 15 - 20 In/Lbs; 1.7 - 2.3 Nm
11	UP03895	Screw, Plastite (10-14 X 7/8)	5	Torque to 35 - 45 In/Lbs; 4.0 - 5.0 Nm

i30mhv Blower UT-08089 - Accessories



Rendered by LeadVenture, Inc.

Ref #	Part #	Description	Qty	Context	Note
1	A02976A	GAS CAN 1 1/4 Gallon			
2	UP06839	EAR PLUGS			
3	UP06835	SAFETY GLASSES-Clear			
4	01231D	EXACT MIX (TM) Oil - 1 pint (50:1)			
5	A06778	GOGGLES			
6	UP07694	EAR PROTECTORS			