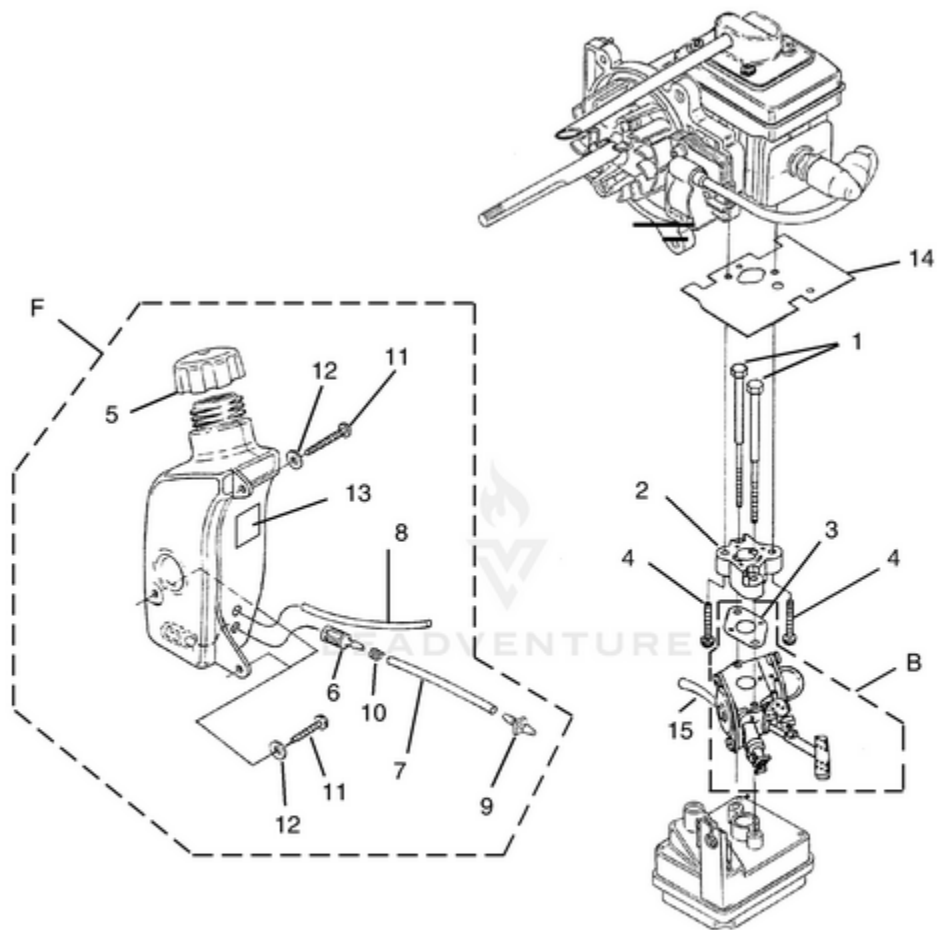


i25mhv 25cc Blower UT-08095 0 - Carburetor - Fuel Tank



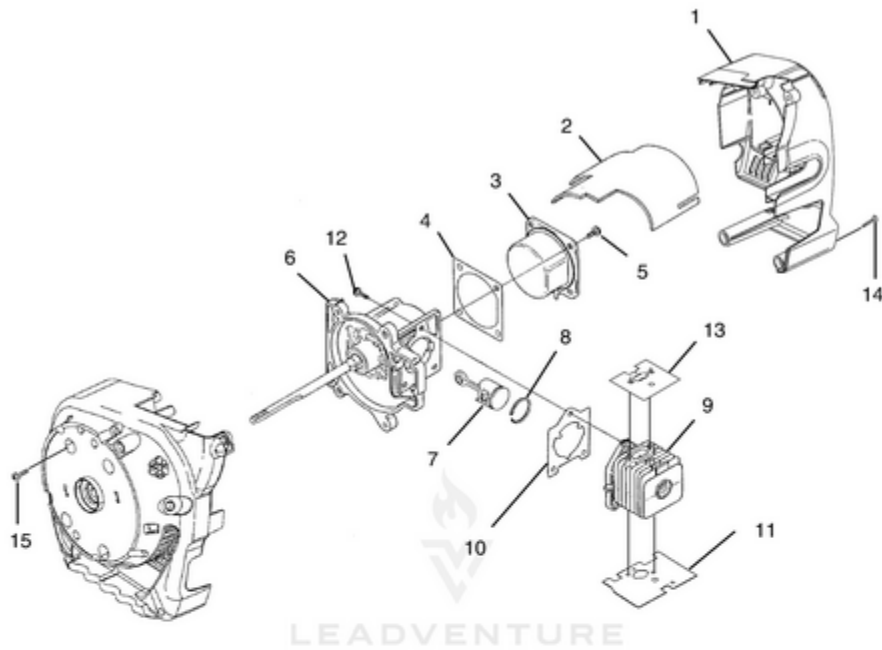
| Item No. | Torque Specs | | Required Loctite |
|----------|--------------|------------|------------------|
| | In/Lbs | Nm | |
| 1 | 30-40 | 3.4-4.5 ** | |
| 4 | 50-60 | 5.6-6.8 | 262 Red |
| 11 | 30-40 | 3.0-4.0 | |

** See Torque Specs, page 4 - Item 10

Rendered by LeadVenture, Inc.

| Ref # | Part # | Description | Qty | Context Note |
|--------------|---------------|---|------------|----------------------------------|
| 1 | PS06881 | Screw, Machine (10-24 x 2.8) | 2 | |
| 2 | PS04357 | Heat Dam | 1 | |
| B | UP00608A | Carburetor Kit | 1 | Includes item 3 |
| 3 | 98766A | Gasket, Carburetor | 1 | Also included with Cylinder Kit. |
| 4 | 093221 | USE 660662001 | 2 | Also included with Cylinder Kit. |
| F | UP00495A | Fuel Tank Assy. | 1 | Includes items 5-14 |
| 5 | A09116 | Fuel Cap | 1 | |
| 6 | PS03380 | Fuel Filter | 1 | |
| 7 | 9477212 | Tubing, Rubber (3") | 1 | |
| 8 | 0143920 | Tubing, Rubber (5") | 1 | |
| 9 | 07332 | Fitting, Inlet (small for 2.5mm ID fuel line) | 1 | |
| 10 | 98268 | Clamp, Wire | 1 | |
| 11 | 82563 | Screw, Thread Forming (10-14 x 3/4 in.) | 3 | |
| 12 | 12789 | Washer | 3 | |
| 13 | 08684 | Heat Shield | 1 | |
| 14 | 06900A | Gasket, Heat Dam | 1 | Also included with Cylinder Kit. |
| 15 | 0143920 | Tubing, Rubber (5") | 1 | |

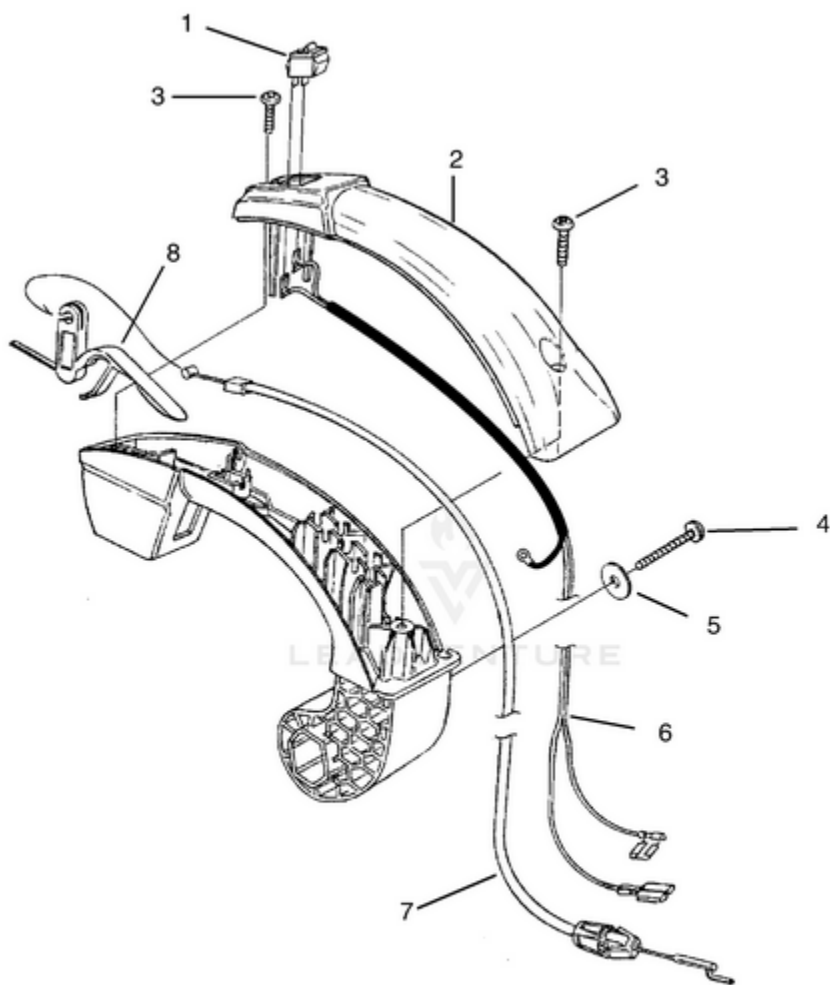
i25mhv 25cc Blower UT-08095 - Engine Internal



| Item No. | Torque Specs | | Required Loctite |
|----------|--------------|---------|------------------|
| | In/Lbs | Nm | |
| 5 | 35-45 | 4.0-5.1 | 262 Red |
| 12 | 55-65 | 6.2-7.3 | 262 Red |
| 14 | 30-40 | 3.4-4.6 | |
| 15 | 55-60 | 6.2-6.8 | |

| Ref # | Part # | Description | Qty | Context Note |
|--------------|---------------|---|------------|----------------------|
| 1 | UP04314A | Shroud | 1 | |
| 2 | 08107B | Heat Shield, Muffler | 1 | |
| 3 | UP06543A | Crankcase Cover Kit | 1 | Includes Items 4-5 |
| 4 | 06443A | Gasket, C/Case | 1 | |
| 5 | PS01565 | Screw, Sems (10-24 x .560) | 4 | |
| 6 | UP03369A | Short Block (Svc) (25cc) | 1 | Includes items 7-13 |
| 7 | 984544001 | Piston & Rod (25cc) | 1 | Includes item 8 |
| 8 | PS01359 | Piston Ring (25cc) | 1 | |
| 9 | UP04136A | Cylinder Kit (25cc) | 1 | Includes items 10-13 |
| 10 | 04388B | Gasket, Cylinder | 1 | |
| 11 | 06900A | Gasket, Heat Dam | 1 | |
| 12 | PS02807 | Screw, Sems (12-24 x 3/4 in.) | 3 | |
| 13 | 00394B | Gasket, Muffler | 1 | |
| 14 | 82537 | Screw, Thread Forming (10-14 x 7/8 in.) | 5 | |
| 15 | 82538 | Taptite, Truss (10-24 x 3/4 in.) | 4 | |

i25mhv 25cc Blower UT-08095 - Handle

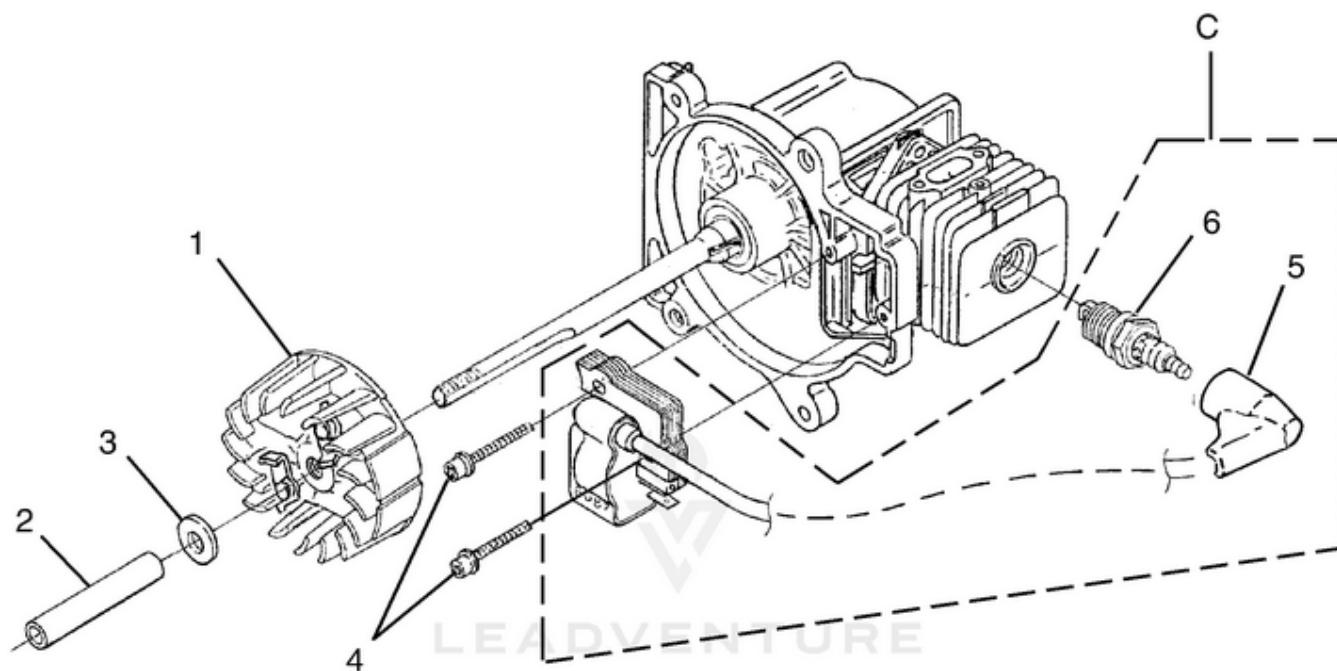


| Item No. | Torque Specs. | | Required Loctite |
|----------|---------------|---------|------------------|
| | In/Lbs | Nm | |
| 3 | 10-25 | 1.1-2.8 | |
| 4 | 30-45 | 3.4-5.1 | |

Rendered by LeadVenture, Inc.

| Ref # | Part # | Description | Qty | Context Note |
|--------------|---------------|-------------------------------------|------------|---------------------|
| | 985298001 | Handle Assembly, Conductive | 1 | Includes 1-8 |
| 1 | PS06163 | Switch, Rocker (Stop) | 1 | |
| 2 | 984997001 | Handle Cover | 1 | |
| 3 | 82546 | Screw, Thread Forming (8-16 X 1/2) | 2 | |
| 4 | 82537 | Screw, Thread Forming (10-14 X 7/8) | 1 | |
| 5 | JA995620 | Washer, Flat | 1 | |
| 6 | 985031001 | Kill Switch Leads | 1 | |
| 7 | 08119 | Cable, Throttle | 1 | |
| 8 | 08118A | Trigger | 1 | |

i25mhv 25cc Blower UT-08095 - Ignition

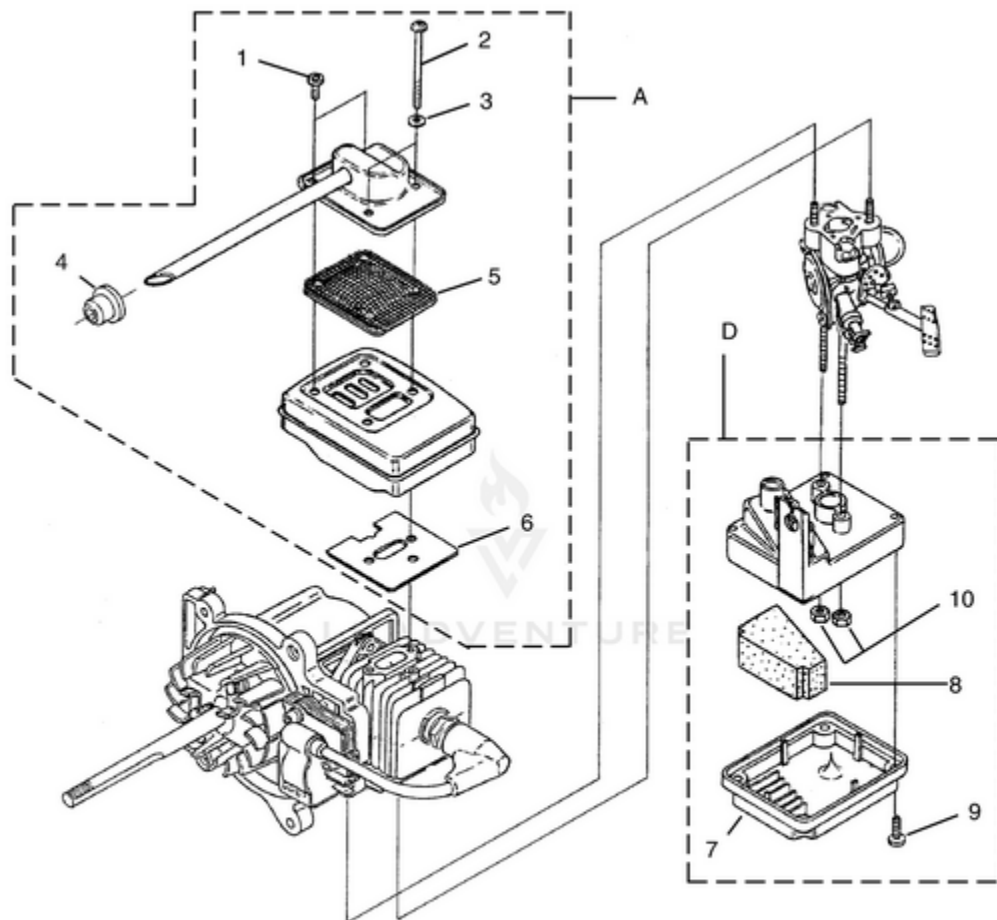


| Item No. | Torque Specs | | Required Loctite |
|----------|--------------|-----------|------------------|
| | In/Lbs | Nm | |
| 4 | 30-40 | 3.4-4.5 | 242 Blue |
| 6 | 120-180 | 13.6-20.3 | |

Rendered by LeadVenture, Inc.

| Ref # | Part # | Description | Qty | Context Note |
|--------------|---------------|---------------------------------|------------|---------------------|
| 1 | 984531001 | Rotor & Starter Pawls | 1 | |
| 2 | PS04650 | Spacer | 1 | |
| 3 | 95479A | Washer, Flat | 1 | |
| 4 | 82540 | Screw-Thread Forming (8-32 X 1) | 2 | |
| C | UP06784 | Ignition Kit w/Ignition Module | 1 | Includes items 5-6 |
| 5 | PS06232 | Ignition Module | 1 | |
| 6 | PS02227 | Spark Plug | 1 | |

i25mhv 25cc Blower UT-08095 - Muffler -Air Cleaner

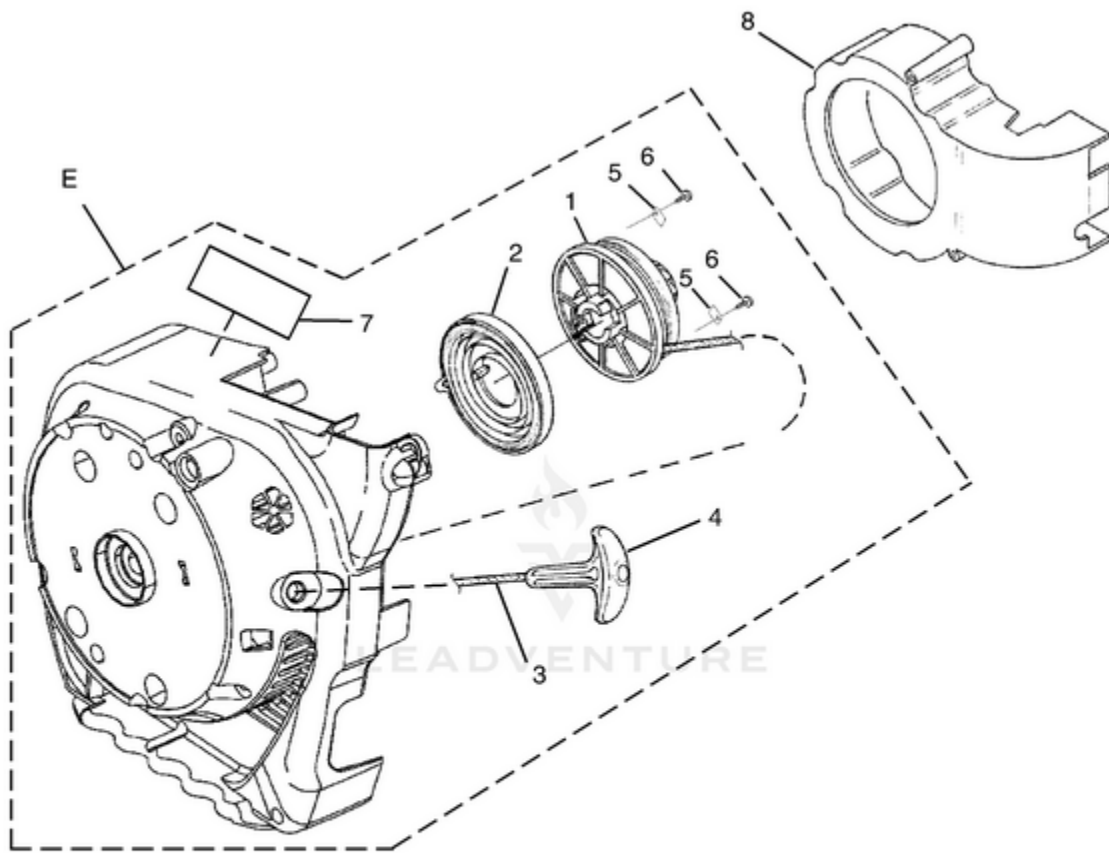


| Item No. | Torque Specs | | Required Loctite |
|----------|--------------|---------|------------------|
| | In/Lbs | Nm | |
| 1 | 20-30 | 2.3-3.4 | |
| 2 | 50-60 | 5.6-6.8 | |
| 9 | 30-40 | 3.4-4.5 | |
| 10 | 30-40 | 3.4-4.5 | |

Rendered by LeadVenture, Inc.

| Ref # | Part # | Description | Qty | Context Note |
|--------------|---------------|--|------------|---|
| A | UP06823A | Muffler Assembly, Crimped | 1 | Includes items 1-6 |
| 1 | 82600 | Screw, Taptite (8-32 x 3/8 in.) | 2 | |
| 2 | 82613 | Screw, Torx Truss Hd. (10-24 X 2.188") | 2 | |
| 3 | 12021 | Washer, Conical #10 | 2 | |
| 4 | 08104 | Muffler Grommet | 1 | |
| 5 | PS00429 | Screen Assy., Spark | 1 | |
| 6 | 00394B | Gasket, Muffler | 1 | Also included with Short Block and Cylinder Kits. |
| D | UP06824A | Air Filter Assembly | 1 | Includes items 7-10 |
| 7 | 07547 | Cover, Air Box | 1 | |
| 8 | 08108 | Filter Element #1 | 1 | |
| 9 | 82376 | Screw, Thread Forming (8-16 X .50) | 4 | |
| 10 | 07589 | Nut, Lock Hex (10-24) | 2 | |

i25mhv 25cc Blower UT-08095 - Starter

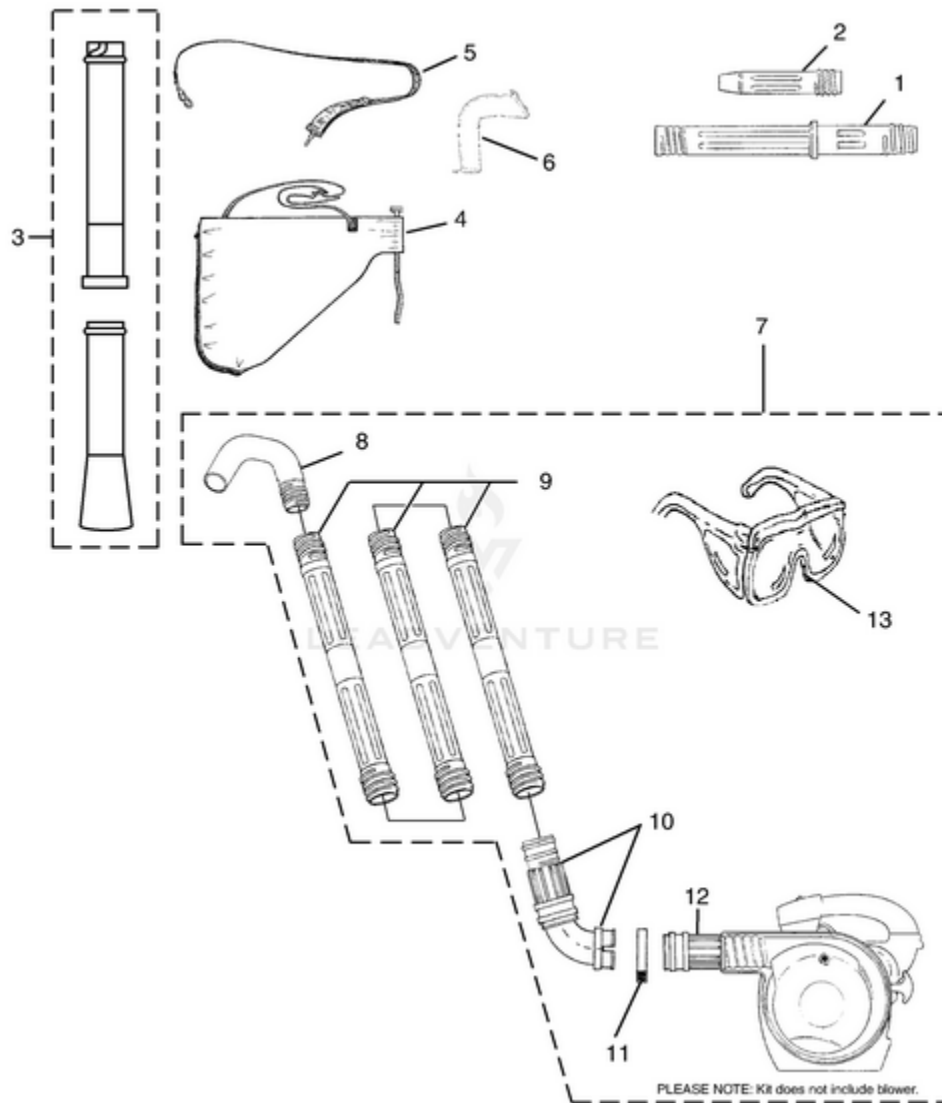


| Item No. | Torque Specs | | Required Loctite |
|----------|--------------|---------|------------------|
| | In/Lbs | Nm | |
| 6 | 30-40 | 3.4-4.5 | |

Rendered by LeadVenture, Inc.

| Ref # | Part # | Description | Qty | Context Note |
|--------------|---------------|---------------------------|------------|---------------------|
| E | UP00497A | Starter (Svc) | 1 | Includes items 1-7 |
| 1 | 98770A | Pulley, Starter | | |
| 2 | A98773A | Spring & Container | 1 | |
| 3 | 9789902 | Rope, Starter 42" | 1 | |
| 4 | PS00179 | Grip, Starter (Black) | 1 | |
| 5 | 98791 | Bracket-Retaining | 2 | |
| 6 | 82541 | Screw-Plastite (#10-1/2") | 2 | |
| 7 | 08501A | Start / Warning Decal | 1 | |
| 8 | 07614C | Scroll | 1 | |

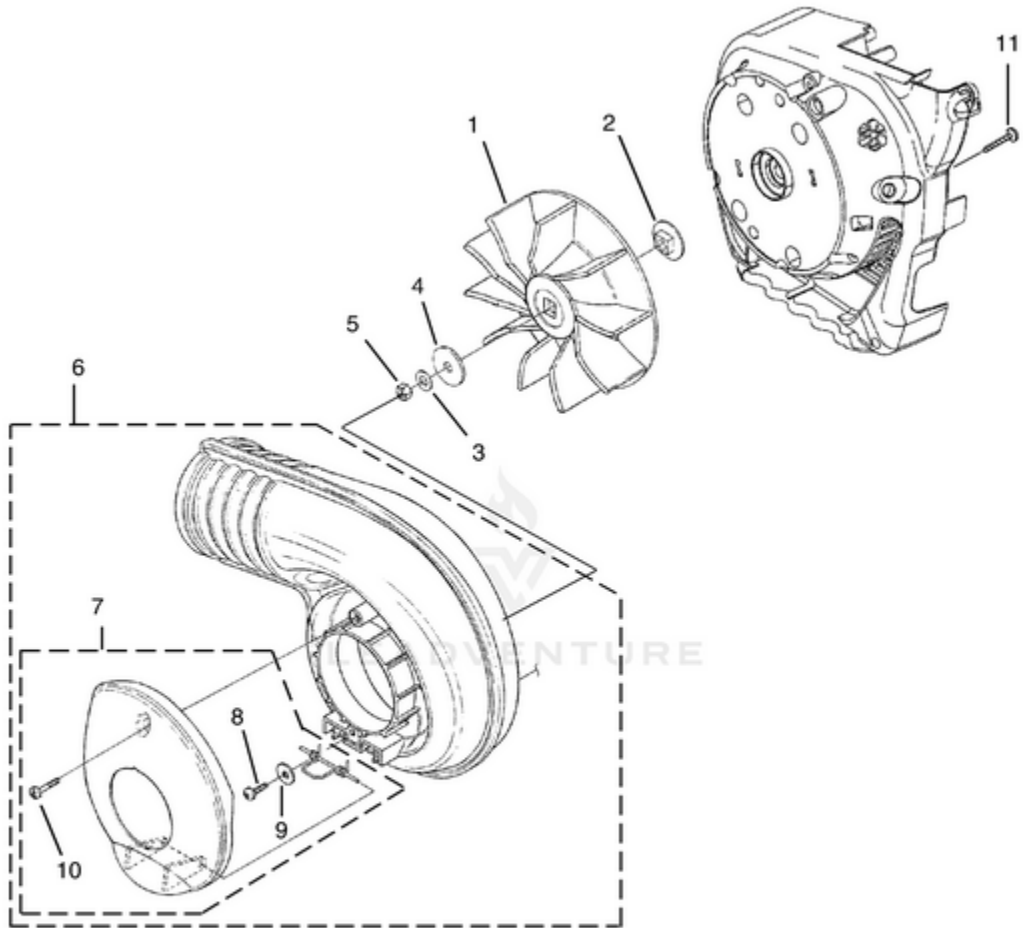
i25mhv 25cc Blower UT-08095 - Tubes -Strap - Accessories



Rendered by LeadVenture, Inc.

| Ref # | Part # | Description | Qty | Context Note | MSRP |
|--------------|---------------|------------------------------|------------|---------------------|-------------|
| 1 | 07538 | Tube, Blower | 1 | | |
| 2 | 08113 | Nozzle, Blower | 1 | | |
| 3 | 985036001 | Vac Tubes | 1 | (Upper and Lower) | |
| 4 | PS02375 | Bag | 1 | | |
| 5 | 96337C | Shoulder Strap | 1 | | |
| 6 | 09043 | Air Deflector | 1 | | |
| 7 | A07069AA | Gutter Maintenance Kit | 1 | Includes items 8-12 | |
| 8 | 07543 | Full Elbow | 1 | | |
| 9 | 07498 | Straight Tube | 3 | | |
| 10 | A07627A | Upper Elbow & Swivel Adapter | 1 | | |
| 11 | 004335 | Large Clamp | 1 | | |
| 12 | 08711A | Adapter, Gutter | 1 | | |
| 13 | 02557A | Safety Glasses - Clear | 1 | | |

i25mhv 25cc Blower UT-08095 - Volute -Fan



| Item No. | Torque Specs. | | Required Loctite |
|----------|---------------|-----------|------------------|
| | in/Lbs | Nm | |
| 5 | 130-150 | 14.7-17.0 | |
| 8 | 30-40 | 3.4-4.5 | |
| 10 | 15-20 | 1.7-2.3 | |
| 11 | 35-45 | 4.0-5.0 | |

Rendered by LeadVenture, Inc.

| Ref # | Part # | Description | Qty | Context Note |
|--------------|---------------|---|------------|---------------------|
| 1 | 07409 | Fan | 1 | |
| 2 | 04335 | Adapter, Fan | 1 | |
| 3 | 03163 | Washer, Belleville | 1 | |
| 4 | 58833 | Washer, Flat | 1 | |
| 5 | 81124A | Nut (3/8-24) | 1 | |
| 6 | UP06899A | Volute W/Door Assembly | 1 | Includes items 7-10 |
| 7 | UP06898A | Access Door | 1 | Includes items 8-10 |
| 8 | 82541 | Screw, Thread Forming (10-14 X 1/2 in.) | 1 | |
| 9 | 95935 | Washer | 1 | |
| 10 | 08204 | Screw, Machine (10-24 X 3/4 in.) | 1 | |
| 11 | 82537 | Screw, Plastite (10-14 X 7/8 in.) | 5 | |