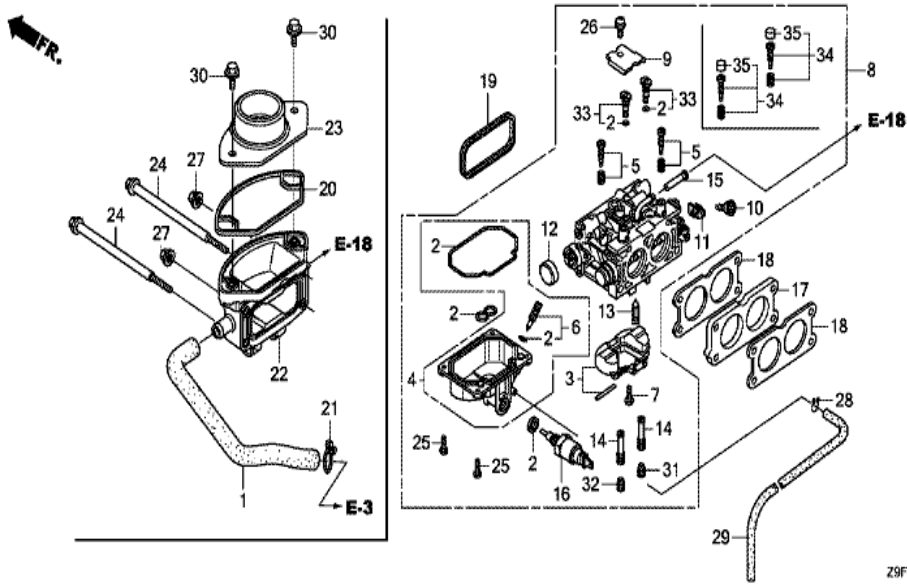


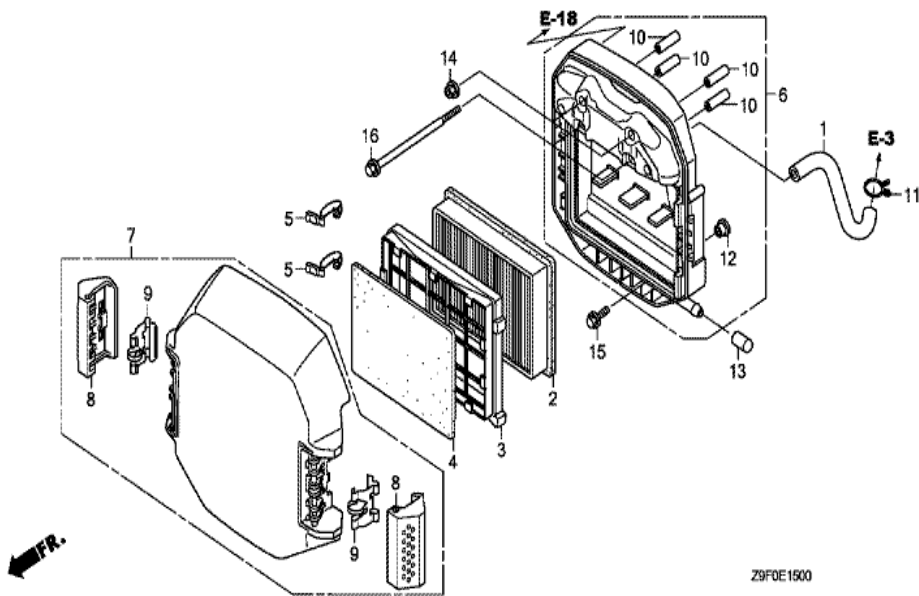
<u>Ref</u>	<u>Partnumber</u>	<u>Description</u>	<u>GXV690R</u>	<u>Serial Numbers</u>
001	16715-Z6L-000	COVER, FUEL PUMP	1	
002	19610-Z6M-000ZA	COVER COMP., FAN *R280*	1	
002	19610-Z6M-000ZB	COVER COMP., FAN *NH1*	1	
002	19610-Z6M-000ZB	COVER COMP., FAN *NH1*	1	
003	19619-Z0A-300	COLLAR, FAN COVER	10	
004	19621-Z6L-000	PROTECTOR, FAN COVER	1	
005	19631-Z6M-000	SHROUD, UPPER	1	
006	19641-Z6L-000	SHROUD, R. LOWER	1	
007	19642-Z6L-000	SHROUD, L. LOWER	1	
011	84601-HA7-670	NUT, FENDER SETTING	2	
012	90005-Z6L-000	SCREW, SPECIAL, 4X10	4	
015	90380-GM9-740	SCREW, SPECIAL, 6X15	2	
016	93913-25580	SCREW, TAPPING, 5X20	2	
<u>Ref</u>	<u>Partnumber</u>	<u>Description</u>	<u>GXV690R</u>	<u>Serial Numbers</u>
018	95701-0601600	BOLT, FLANGE, 6X16	3	
019	95701-0602000	BOLT, FLANGE, 6X20	8	
019	95701-0602000	BOLT, FLANGE, 6X20	10	



Z9FOE1400A

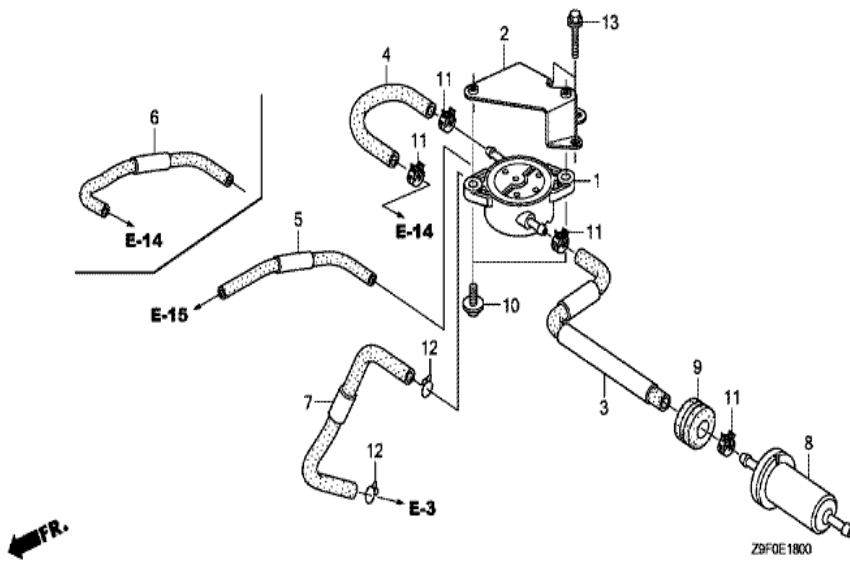
Ref	Partnumber	Description	GXV690R	Serial Numbers
002	16010-Z6L-003	GASKET SET	1	
003	16013-Z6L-003	FLOAT SET	1	
004	16015-Z6L-003	CHAMBER SET, FLOAT	1	
005	16016-Z6L-003	SCREW SET	2	BK05B A
006	16024-124-760	SCREW SET, DRAIN	1	
007	16081-Z6L-003	SCREW, FLOAT	1	
008	16100-Z6M-003	CARBURETOR ASSY. (BK05B A)	1	
008	16100-Z6M-003	CARBURETOR ASSY. (BK05B A)	1	1000186
008	16100-Z6M-013	CARBURETOR ASSY. (BK05B B)	1	1000187
009	16113-Z6L-003	PLATE	1	
010	16124-ZE0-005	SCREW, THROTTLE STOP	1	
011	16126-Z6L-003	ARM, THROTTLE LINKAGE	1	
012	16148-141-881	CAP, CHOKE DUST	1	

<u>Ref</u>	<u>Partnumber</u>	<u>Description</u>	<u>GXV690R</u>	<u>Serial Numbers</u>
013	16155-Z6L-003	VALVE COMP., FLOAT	1	
014	16166-Z8N-003	NOZZLE, MAIN	2	
014	16166-Z8N-003	NOZZLE, MAIN	2	
015	16176-Z2G-D51	SCREEN, FUEL STRAINER	1	
016	16200-Z6L-003	VALVE ASSY., SOLENOID	1	
017	16211-Z6L-000	INSULATOR, CARBURETOR	1	
018	16221-Z6L-000	PACKING, CARBURETOR	2	
019	17228-Z6L-000	PACKING, AIR CLEANER	1	
025	93500-040121H	SCREW, PAN, 4X12	4	
026	93892-0501018	SCREW-WASHER, 5X10	1	
028	95002-02080	CLIP, TUBE (B8)	1	
029	95005-4535023	TUBE, 4.5X350 (95005-45001-20M)	1	
031	99101-ZH81020	JET, MAIN, #102	(1)	
031	99101-ZH81020	JET, MAIN, #102	(1)	
031	99101-ZH81080	JET, MAIN, #108	(1)	
031	99101-ZH81080	JET, MAIN, #108	(1)	
031	99101-ZH81150	JET, MAIN, #115	1	
031	99101-ZH81150	JET, MAIN, #115	1	
032	99101-ZH81120	JET, MAIN, #112	(1)	
032	99101-ZH81120	JET, MAIN, #112	(1)	
032	99101-ZH81180	JET, MAIN, #118	(1)	
032	99101-ZH81180	JET, MAIN, #118	(1)	
032	99101-ZH81250	JET, MAIN, #125	1	
032	99101-ZH81250	JET, MAIN, #125	1	
033	99204-ZE20450	JET SET, PILOT, #45	2	
033	99204-ZE20450	JET SET, PILOT, #45	2	
034	16016-Z6L-801	SCREW SET	2	BK05B B
035	16134-Z6L-801	CAP, ADJUSTING SCREW	2	BK05B B

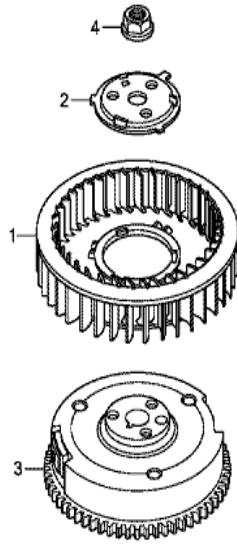


Z9F0E1500

<u>Ref</u>	<u>Partnumber</u>	<u>Description</u>	<u>GXV690R</u>	<u>Serial Numbers</u>
001	15721-Z6M-000	TUBE, BREATHER	1	
002	17210-Z6M-010	ELEMENT COMP., AIR CLEANER	1	
002	17210-Z6M-010	ELEMENT COMP., AIR CLEANER	1	
003	17214-Z6M-000	HOLDER, ELEMENT	1	
004	17218-Z6M-000	FILTER, OUTER	1	
005	17219-ZJ1-840	CLIP, AIR CLEANER	2	
006	17220-Z6M-010	CASE COMP., AIR CLEANER	1	
006	17220-Z6M-010	CASE COMP., AIR CLEANER	1	
007	17230-Z6M-000	COVER COMP., AIR CLEANER	1	
008	17235-Z6L-300	KNOB, AIR CLEANER COVER	2	
009	17236-Z6L-300	SPRING, AIR CLEANER CASE COVER	2	
010	17240-ZA0-951	COLLAR, AIR CLEANER	4	
011	17369-KB4-670	CLIP, BREATHER TUBE	1	
<u>Ref</u>	<u>Partnumber</u>	<u>Description</u>	<u>GXV690R</u>	<u>Serial Numbers</u>
012	19619-Z0A-300	COLLAR, FAN COVER	1	
013	90802-Z6L-000	CAP, SEALING	1	
014	94050-06000	NUT, FLANGE, 6MM	2	
015	95701-0601600	BOLT, FLANGE, 6X16	1	
016	95701-0611000	BOLT, FLANGE, 6X110	2	

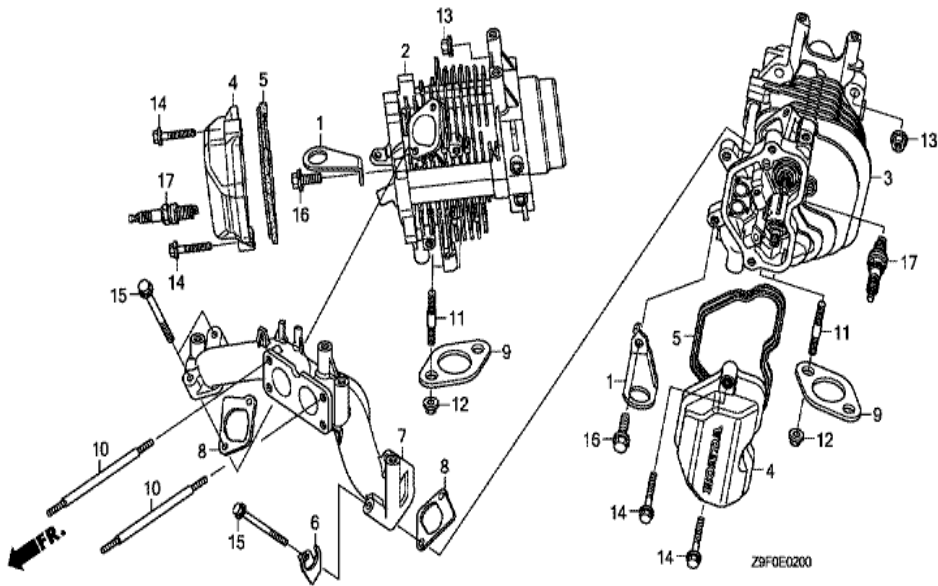


Ref	Partnumber	Description	GXV690R	Serial Numbers
001	16700-Z6L-003	PUMP ASSY., FUEL	1	
002	16711-Z6M-000	STAY, FUEL PUMP	1	
003	16850-Z6L-000	TUBE COMP. A, FUEL (FKM)	1	1000114
003	16850-Z6L-010	TUBE COMP. A, FUEL (FKM)	1	1000115
004	16861-Z6M-003	TUBE B, FUEL (FKM)	1	
005	16870-Z6M-000	TUBE COMP., PURGE	1	
007	16882-Z6M-000	TUBE, DIAPHRAGM	1	
008	16910-Z6L-003	STRAINER COMP., FUEL	1	
009	80152-958-680	RUBBER, RR. FENDER	1	
010	90101-Z22-000	SCREW, TRUSS, 6X12	2	
011	95002-4100008	CLAMP, TUBE (D10)	4	
012	95002-70000	CLIP, TUBE (C11)	2	
013	95701-0601400	BOLT, FLANGE, 6X14	2	

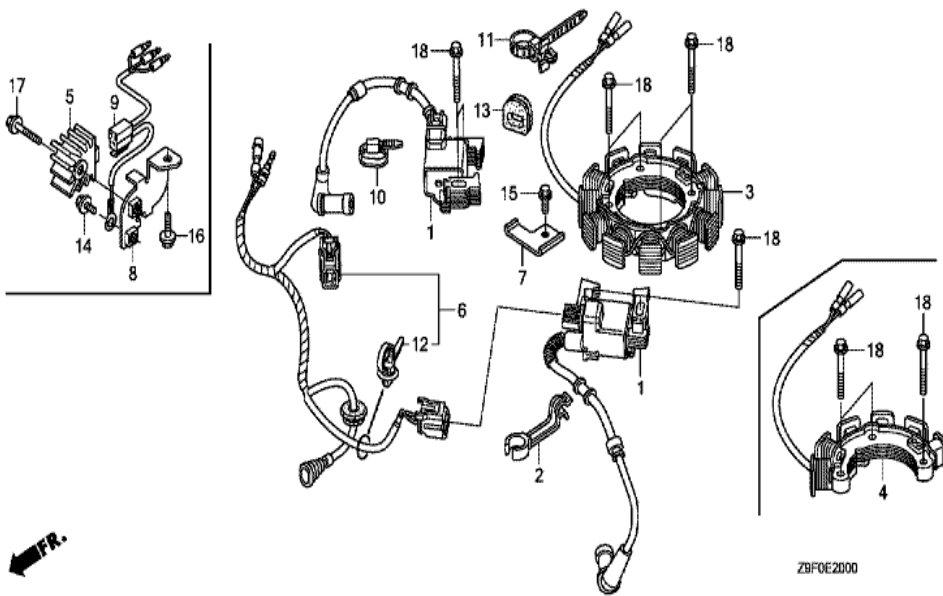


Z9F0E1900

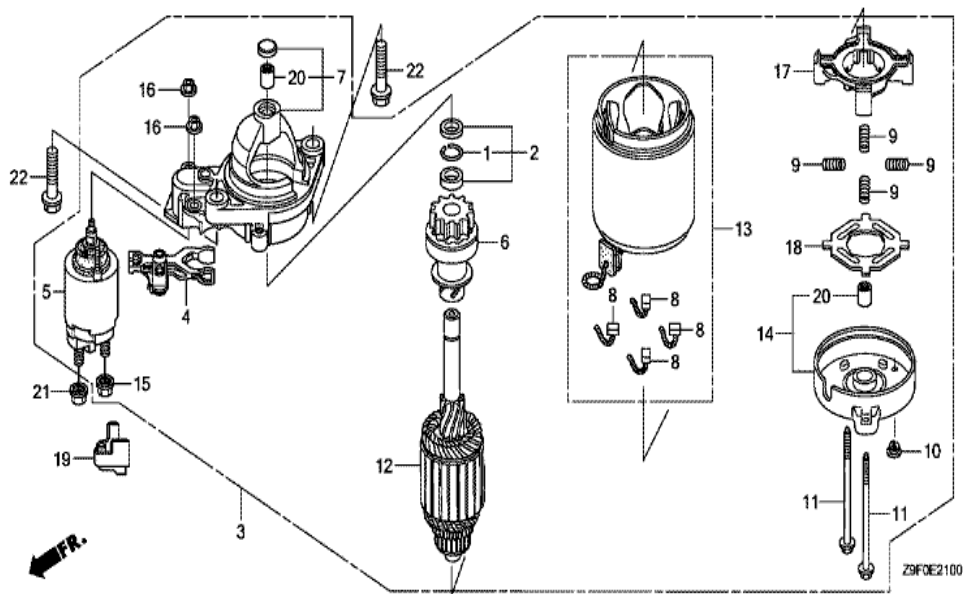
Ref	Partnumber	Description	GXV690R	Serial Numbers
001	19511-Z6L-000	FAN, COOLING	1	
002	19513-Z6L-000	PLATE, COOLING FAN SETTING	1	
003	31110-Z6L-003	FLYWHEEL COMP.	1	
004	90201-Z6L-000	NUT, SPECIAL (20MM)	1	



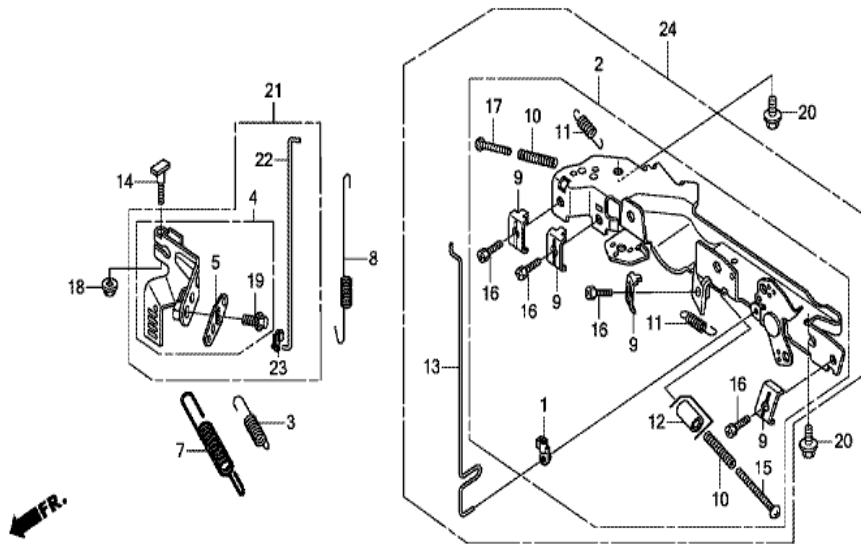
<u>Ref</u>	<u>Partnumber</u>	<u>Description</u>	<u>GXV690R</u>	<u>Serial Numbers</u>
001	11911-Z6L-000	HANGER, ENGINE	2	
002	12110-Z6L-000	HEAD COMP., CYLINDER (#1)	1	1000445
002	12110-Z6L-010	HEAD COMP., CYLINDER (#1)	1	1000446
003	12120-Z6L-000	HEAD COMP., CYLINDER (#2)	1	1000445
003	12120-Z6L-010	HEAD COMP., CYLINDER (#2)	1	1000446
004	12311-Z6L-000	COVER, CYLINDER HEAD	2	
005	12312-Z6L-000	PACKING, HEAD COVER	2	
006	16722-Z6L-000	STAY, FUEL TUBE GROMMET	1	1000445
006	16722-Z6L-010	STAY, FUEL TUBE GROMMET	1	1000446
007	17101-Z6M-000	MANIFOLD, INTAKE	1	1000445
007	17101-Z6M-010	MANIFOLD, INTAKE	1	1000446
008	17151-Z6L-000	PACKING, INTAKE MANIFOLD	2	1000445
008	17151-Z6L-010	PACKING, INTAKE MANIFOLD	2	1000446
<u>Ref</u>	<u>Partnumber</u>	<u>Description</u>	<u>GXV690R</u>	<u>Serial Numbers</u>
009	18333-ZE3-800	GASKET, EX. PIPE	2	
010	90043-Z6L-000	BOLT, STUD, 6X106	2	
010	90043-Z6L-000	BOLT, STUD, 6X106	2	
011	92900-080220E	BOLT, STUD, 8X22	4	
012	94050-08000	NUT, FLANGE, 8MM	4	
013	94050-10000	NUT, FLANGE, 10MM	8	
014	95701-0603000	BOLT, FLANGE, 6X30	4	
015	90006-Z6L-000	BOLT, FLANGE, 8X55	4	1000446
015	95701-0605000	BOLT, FLANGE, 6X50	4	1000445
016	95701-0801600	BOLT, FLANGE, 8X16	2	
017	98079-5587G	PLUG, SPARK (ZFR5F)	2	



Ref	Partnumber	Description	GXV690R	Serial Numbers
001	30500-Z6L-003	COIL ASSY., IGNITION	2	
002	30551-Z6L-000	CLAMP, HIGH TENSION CORD	1	
003	31630-Z6L-003	COIL ASSY., CHARGE (17A)	1	
006	32110-Z6M-000	HARNESS ASSY., ENGINE WIRE	1	
007	32114-Z6L-000	BRACKET, HARNESS	1	
010	90650-KV6-003	BAND, WIRE, 95MM	1	
011	90672-SB2-003	STRAP, CABLE, 105MM (BLACK)	1	
012	91541-SOA-003	CLIP, HARNESS BAND (BLACK) (145MM)	1	
013	91601-Z6L-000	GROMMET, CORD	1	
015	95701-0601200	BOLT, FLANGE, 6X12	1	
018	95701-0603200	BOLT, FLANGE, 6X32	7	
018	95701-0603200	BOLT, FLANGE, 6X32	8	

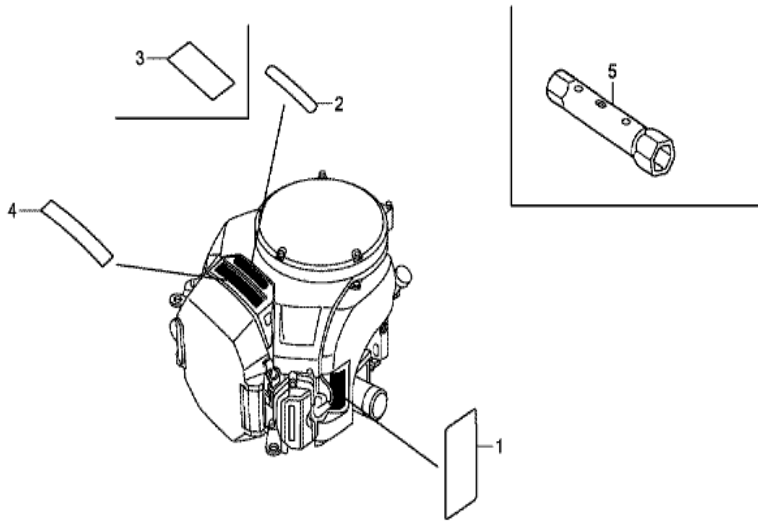


<u>Ref</u>	<u>Partnumber</u>	<u>Description</u>	<u>GXV690R</u>	<u>Serial Numbers</u>
001	30201-PH9-004	RING, SNAP (DENSO)	1	
002	30202-PZ1-003	COLLAR SET, CLUTCH STOP	1	
003	31200-Z6M-003	MOTOR ASSY., STARTER	1	
004	31203-PH9-004	LEVER, PINION DRIVE	1	
005	31204-Z6M-003	SWITCH ASSY., MAGNET	1	
006	31207-Z6M-003	CLUTCH COMP., OVERRUNNING	1	
007	31208-Z6M-003	HOUSING COMP., DRIVE SIDE	1	
008	31211-PH9-004	BRUSH	4	
009	31212-PH9-004	SPRING, BRUSH	4	
010	31213-P64-N01	COVER	1	
011	31214-PH9-004	BOLT, THROUGH	2	
012	31217-Z0A-003	ARMATURE COMP.	1	
013	31218-P64-N01	YOKE COMP.	1	
<u>Ref</u>	<u>Partnumber</u>	<u>Description</u>	<u>GXV690R</u>	<u>Serial Numbers</u>
014	31219-Z6M-003	FRAME COMP., COMMUTATOR END	1	
015	31220-PH9-004	NUT, HEX., 8MM	1	
016	31223-PA0-006	NUT, HEX.	2	
017	31231-PH9-004	HOLDER, BRUSH	1	
018	31233-PH9-004	INSULATOR, BRUSH HOLDER	1	
019	31234-Z6L-000	COVER, TERMINAL	1	
020	91002-ZG4-801	BEARING A	2	
021	94070-08080	NUT-WASHER, 8MM	1	
022	95701-1004000	BOLT, FLANGE, 10X40	2	



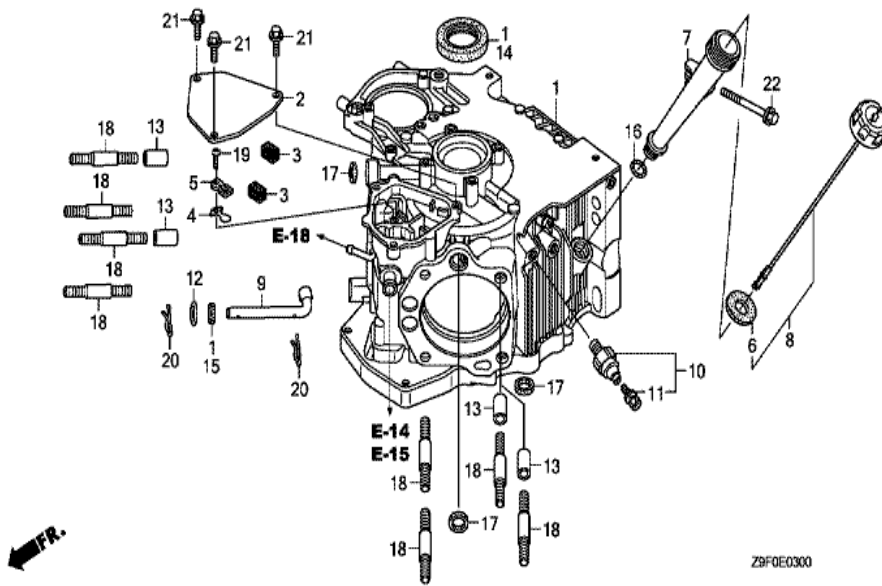
Z9F0E2200B

Ref	Partnumber	Description	GXV690R	Serial Numbers
001	16263-Z0G-010	JOINT, ROD	1	
002	16500-Z6M-000	CONTROL ASSY.	1	
002	16500-Z6M-010	CONTROL ASSY.	1	1000186
002	16500-Z6M-020	CONTROL ASSY.	1	1000187
003	16534-Z6L-000	SPRING, STARTER	1	
004	16550-Z6L-020	ARM COMP., GOVERNOR	1	1000259
005	16553-Z6L-010	ARM, SUB	1	1000259
007	16561-Z6L-000	SPRING, GOVERNOR	1	
008	16562-Z6M-000	SPRING, THROTTLE RETURN	1	
009	16576-891-000	HOLDER, CABLE	4	
010	16584-883-300	SPRING, CONTROL ADJUSTING	2	
011	16592-ZJ1-000	SPRING, CABLE RETURN	2	
012	16599-ZG1-M10	COLLAR, STOPPER	1	
Ref	Partnumber	Description	GXV690R	Serial Numbers
013	16611-Z6M-000	ROD, CHOKE CONTROL	1	1000186
013	16611-Z6M-010	ROD, CHOKE CONTROL	1	1000187
014	90015-ZE3-790	BOLT, GOVERNOR ARM	1	
015	90016-Z6L-010	SCREW, RECESSED, 5X45	1	
016	92301-050160A	BOLT, RECESSED, 5X16	4	
017	93500-050300A	SCREW, PAN, 5X30	1	
018	94050-06000	NUT, FLANGE, 6MM	1	
019	95701-0601000	BOLT, FLANGE, 6X10	1	
020	95701-0601400	BOLT, FLANGE, 6X14	2	
021	04102-Z6M-000	ARM KIT, GOVERNOR	(1)	
022	16555-Z6M-010	ROD, GOVERNOR	1	1000259
023	17957-Z6L-003	BUSH, LINKAGE	1	1000259

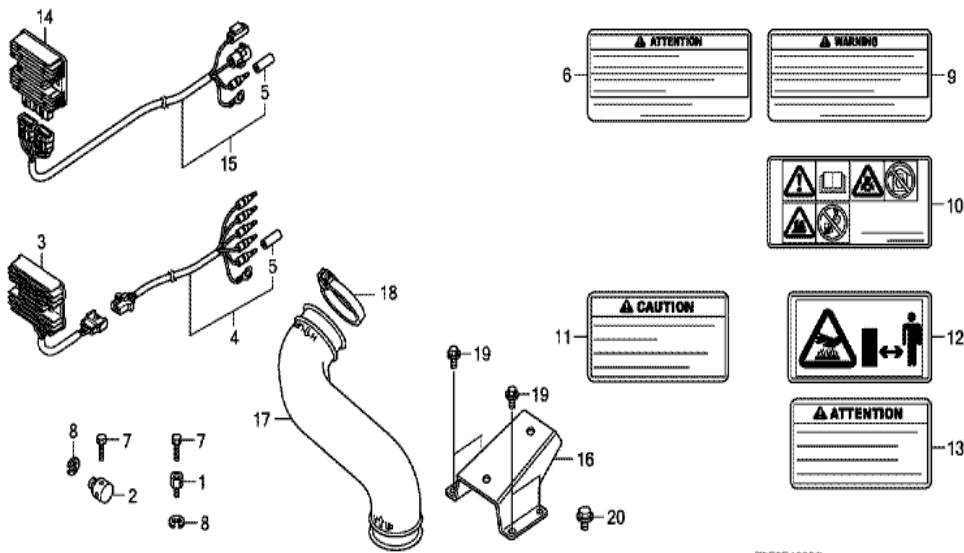


Z9F0E2800A

Ref	Partnumber	Description	GXV690R	Serial Numbers
001	87519-ZH7-000	MARK, OPERATOR CAUTION (PICTOGRAPH)	1	
001	87519-ZH7-000	MARK, OPERATOR CAUTION (PICTOGRAPH)	1	
002	87521-Z6M-000	EMBLEM (GXV690)	1	
002	87521-Z6M-000	EMBLEM (GXV690)	1	
004	87531-Z6L-000	MARK, HONDA	1	

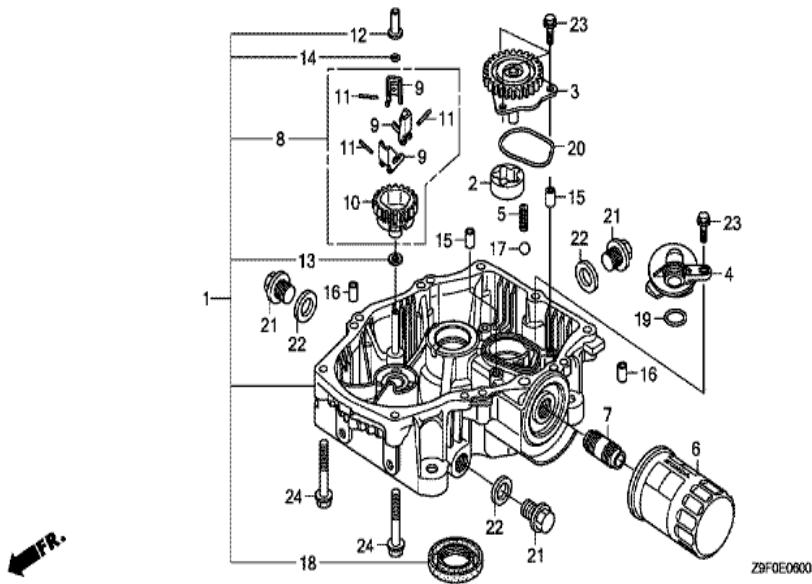


Ref	Partnumber	Description	GXV690R	Serial Numbers
001	11100-Z6M-000	CRANKCASE ASSY.	1	1000162
001	11100-Z6M-010	CRANKCASE ASSY.	1	1000163
002	12356-Z6L-000	COVER, BREATHER	1	
003	12367-Z6M-000	FILTER, BREATHER	2	
004	15571-ZM7-003	VALVE, OIL OUTLET	1	
005	15572-Z6L-000	PLATE, STOPPER	1	
006	15625-Z6L-000	PACKING, OIL FILLER CAP	1	
007	15631-Z6M-000	EXTENSION, OIL FILLER	1	
008	15650-Z6M-000	GAUGE ASSY., OIL LEVEL	1	
009	16541-Z6L-000	SHAFT, GOVERNOR ARM	1	
010	37240-ZG5-004	SWITCH, OIL PRESSURE	1	
011	90002-ZG5-004	SCREW-WASHER, 4X8	1	
012	90404-Z6L-000	WASHER, PLAIN (10MM)	1	
Ref	Partnumber	Description	GXV690R	Serial Numbers
013	90709-Z6L-000	DOWEL PIN, 12X20	4	
014	91201-Z6L-003	OIL SEAL, 38X58X9	1	
015	91203-Z6L-003	OIL SEAL, 10X16X5	1	
016	91301-Z6L-003	O-RING, 14.8X2.4	1	
017	91308-Z6L-003	PACKING, OIL PASS	3	
018	92900-100400B	BOLT, STUD, 10X40	8	
019	93500-030080A	SCREW, PAN, 3X8	1	
020	94251-10000	PIN, LOCK, 10MM	2	
021	95701-0601400	BOLT, FLANGE, 6X14	3	
022	95701-0604500	BOLT, FLANGE, 6X45	1	

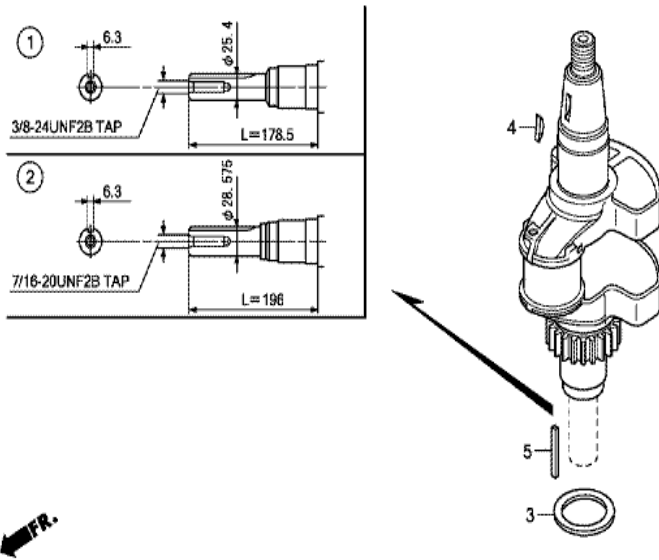


Z9F0E4000C

Ref	Partnumber	Description	GXV690R	Serial Numbers
001	16594-883-010	HOLDER, WIRE	1	
002	16617-Z6L-000	HOLDER, CABLE	1	
003	31750-Z2E-803	RECTIFIER ASSY., REGULATOR (20A)	1	
004	32105-Z6L-000	HARNESS ASSY., SUB WIRE	1	
005	32824-ZV5-003	PLUG, OUTER CONNECTOR	1	
006	87516-ZH7-801	MARK, OPERATOR CAUTION (FRENCH) (MADE IN	1	
007	92301-040060H	BOLT, RECESSED, 4X6	2	
008	94540-05018	E-RING, 5MM	2	
009	87516-ZH7-010	MARK, OPERATOR CAUTION (ENGLISH) (MADE I	1	
011	87539-Z0J-000	MARK, EX. CAUTION (ENGLISH)	1	
012	87539-Z0J-800	MARK, EX. CAUTION (PICTOGRAPH)	1	
013	87539-Z0J-810	MARK, EX. CAUTION (FRENCH)	1	

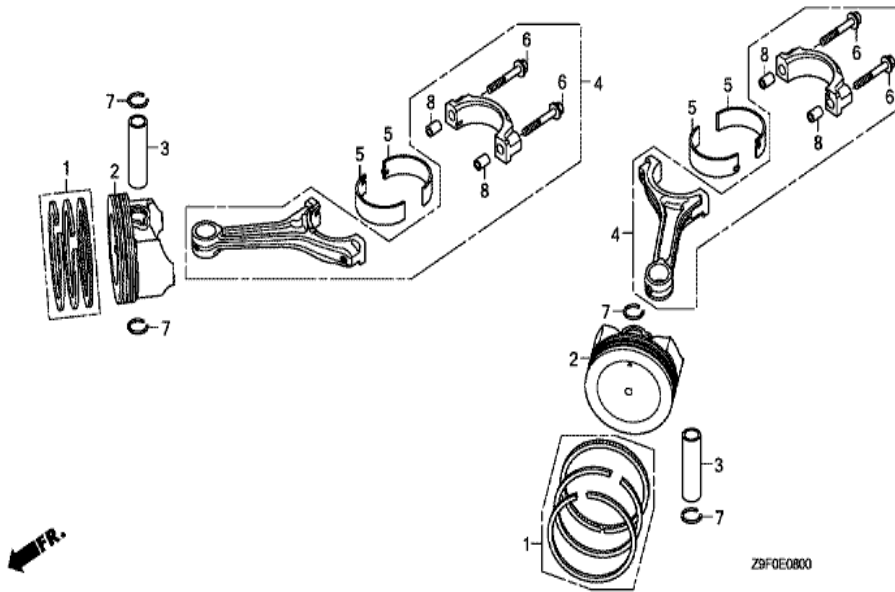


<u>Ref</u>	<u>Partnumber</u>	<u>Description</u>	<u>GXV690R</u>	<u>Serial Numbers</u>
001	11300-Z6M-000	PAN ASSY., OIL	1	
002	15133-Z6L-000	ROTOR, OIL PUMP OUTER	1	
003	15140-Z6L-000	GEAR COMP., OIL PUMP	1	
004	15220-Z6M-000	STRAINER COMP., OIL	1	
005	15232-Z6L-000	SPRING, RELIEF VALVE	1	
006	15400-RTA-004	CARTRIDGE, OIL FILTER (TOYO ROKI)	1	
007	15423-Z6L-000	HOLDER, OIL FILTER	1	
008	16510-Z6L-000	GOVERNOR ASSY.	1	
009	16511-Z6L-300	WEIGHT, GOVERNOR	3	
010	16512-Z6L-300	HOLDER, GOVERNOR WEIGHT	1	
011	16513-Z6L-000	PIN, GOVERNOR WEIGHT	3	
012	16531-Z6L-000	SLIDER, GOVERNOR	1	
013	90403-Z6L-000	WASHER, 6X16	1	
<u>Ref</u>	<u>Partnumber</u>	<u>Description</u>	<u>GXV690R</u>	<u>Serial Numbers</u>
014	90602-ZE1-000	CLIP, GOVERNOR HOLDER	1	
015	90707-Z6L-000	DOWEL PIN, 8X10	2	
016	90708-Z6L-000	DOWEL PIN, 8X14	2	
017	90902-Z6L-000	BALL, STEEL, #15 (15/32)	1	
018	91202-Z6L-003	OIL SEAL, 38X58X9	1	
019	91301-Z6L-003	O-RING, 14.8X2.4	1	
020	91302-Z6M-003	O-RING, OIL PUMP	1	
021	92800-20000	BOLT, DRAIN PLUG, 20MM	3	
022	94109-20000	WASHER, DRAIN PLUG, 20MM	3	
023	95701-0602000	BOLT, FLANGE, 6X20	4	
024	95701-0804500	BOLT, FLANGE, 8X45	9	

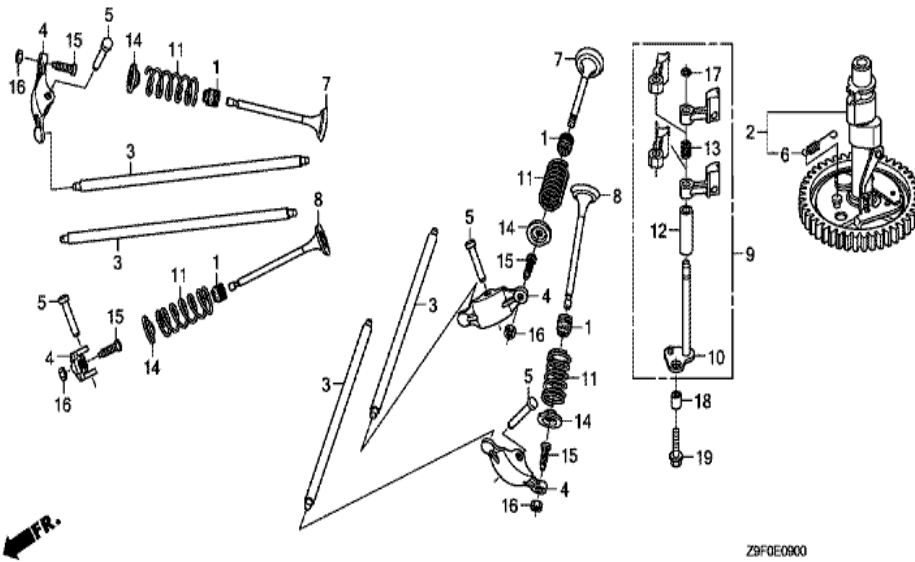


Z9F0E0700

Ref	Partnumber	Description	GXV690R	Serial Numbers
001	13310-Z6M-000	CRANKSHAFT COMP. (L=178.5)	1	
003	90402-Z6L-000	WASHER, CRANKSHAFT THRUST	1	
004	90741-ZE2-000	KEY, SPECIAL WOODRUFF, 25X18	1	



Ref	Partnumber	Description	GXV690R	Serial Numbers
001	13010-Z6L-003	RING SET, PISTON (STD.) (TEIKOKU)	2	
002	13101-Z6L-000	PISTON	2	
003	13111-Z6L-000	PIN, PISTON	2	
004	13210-Z6L-000	ROD ASSY., CONNECTING	2	
005	13211-Z6L-003	BEARING A, CONNECTING ROD	4	
006	90001-Z6L-000	BOLT, CONNECTING ROD, 7X38	4	
007	90551-ZE1-000	CLIP, PISTON PIN, 18MM	4	
008	90705-Z6L-000	DOWEL PIN, 9X10	4	



Z9F0E0900

Ref	Partnumber	Description	GXV690R	Serial Numbers
001	12208-Z6L-003	SEAL, VALVE STEM	4	
002	14100-Z6L-000	CAMSHAFT ASSY.	1	
003	14410-Z6L-000	ROD COMP., PUSH	4	
004	14431-Z6L-000	ARM, VALVE ROCKER	4	
005	14461-Z6L-000	SHAFT, ROCKER ARM	4	
006	14568-Z6L-000	SPRING, WEIGHT RETURN	1	
007	14711-Z6L-000	VALVE, IN.	2	
008	14721-Z6L-000	VALVE, EX.	2	
009	14730-Z6L-000	LIFTER ASSY., VALVE	1	
010	14735-Z6L-000	SHAFT COMP., VALVE LIFTER	1	
011	14751-Z6L-000	SPRING, VALVE	4	
012	14763-Z6L-000	COLLAR, VALVE LIFTER	1	
013	14764-Z6L-000	SPRING, VALVE LIFTER	1	
Ref	Partnumber	Description	GXV690R	Serial Numbers
014	14771-ZE1-000	RETAINER, IN. VALVE SPRING	4	
015	90012-Z6L-000	SCREW, TAPPET ADJUSTING	4	
016	90206-Z6L-000	NUT, TAPPET ADJUSTING	4	
017	90602-ZE1-000	CLIP, GOVERNOR HOLDER	1	
018	90707-Z6L-000	DOWEL PIN, 8X10	1	
019	95701-0602200	BOLT, FLANGE, 6X22	1	