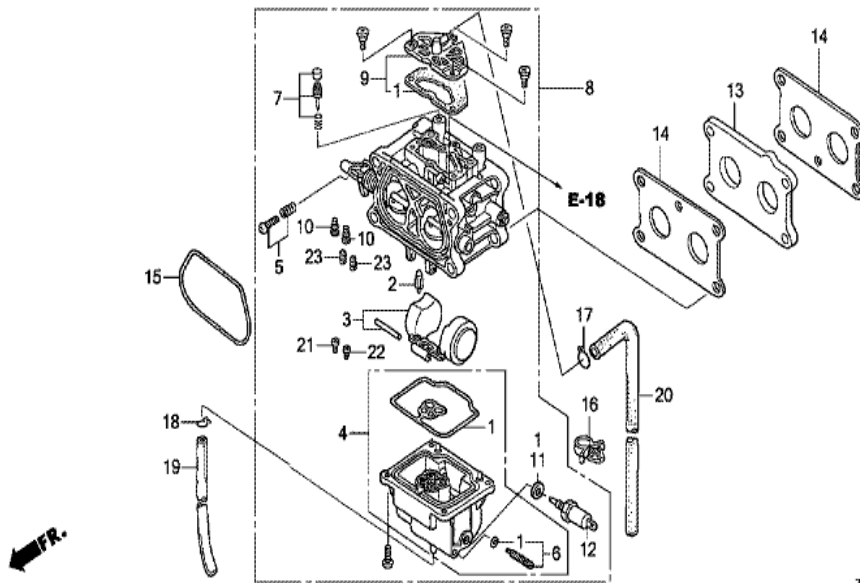


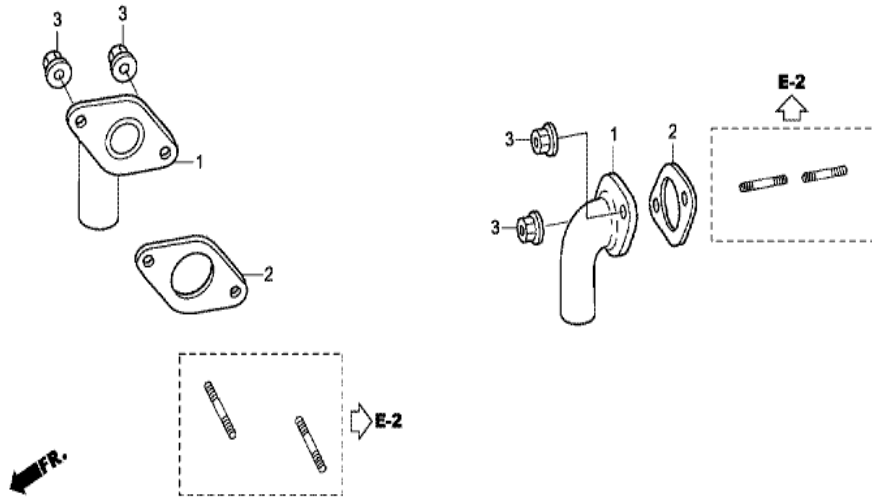
Z0ACE1200

Ref	Partnumber	Description	GXV530	Serial Numbers
001	16711-Z0A-000	STAY, FUEL PUMP	1	
002	17211-Z0A-013	ELEMENT, AIR CLEANER	1	
003	17212-Z0A-010	GRID, AIR CLEANER	1	
004	17218-Z0A-810	FILTER, OUTER	1	
005	17228-Z0A-003	PACKING, AIR CLEANER	1	
006	17229-Z0A-000	SEAL, AIR CLEANER CASE	1	
007	17231-Z0A-000	COVER, AIR CLEANER	1	
008	17238-ZJ4-830	COLLAR A, AIR CLEANER	4	
009	17410-Z6A-000	ELBOW COMP., AIR CLEANER	1	
010	19611-Z0A-010ZC	COVER, FAN *R280 *	1	
011	19612-Z0A-000	PLATE, SIDE	1	
015	28452-Z0A-000ZC	GRID, SCREEN (D50) *R280*	1	
017	90004-Z0A-000	BOLT, AIR CLEANER, 6MM	2	
Ref	Partnumber	Description	GXV530	Serial Numbers
018	90013-ZL8-000	BOLT, FLANGE, 6X14 (CT200)	2	
019	90014-952-000	BOLT, FLANGE, 6X14 (CT200)	2	
020	90044-Z0A-000	BOLT, L. STUD (IGNITION COIL)	1	
021	90045-Z0A-000	BOLT, R. STUD (IGNITION COIL)	1	
022	90201-ZM0-000	NUT, FLANGE, 6MM	2	
023	90634-ZL8-H00	CAP, SEALING	1	
025	93913-24780	SCREW, TAPPING, 4X30 (PO)	4	
027	94103-06800	WASHER, PLAIN, 6MM	2	
028	95002-02100	CLIP, TUBE (B10)	1	
030	95701-0601200	BOLT, FLANGE, 6X12	2	
031	95801-0610000	BOLT, FLANGE, 6X100	4	



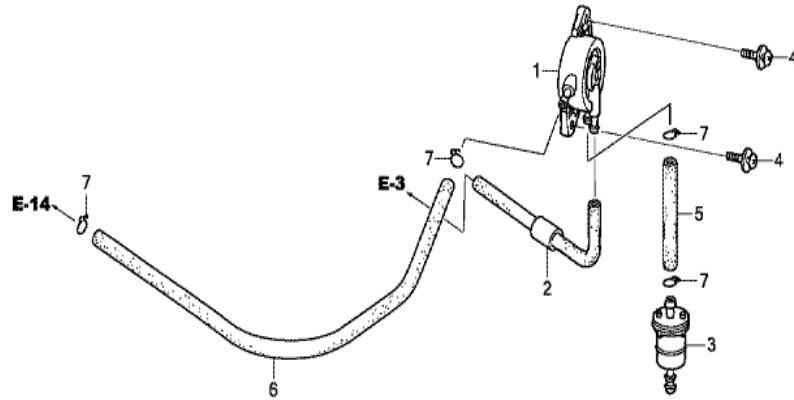
Z0ACE1400

<u>Ref</u>	<u>Partnumber</u>	<u>Description</u>	<u>GXV530</u>	<u>Serial Numbers</u>
001	16010-ZOA-802	GASKET SET	1	
002	16011-ZOA-004	VALVE, FLOAT	1	
003	16013-ZOA-004	FLOAT SET	1	
004	16015-ZOA-802	CHAMBER SET, FLOAT	1	
005	16016-ZOA-004	SCREW SET	1	
006	16024-ZOA-004	SCREW SET, DRAIN	1	
007	16028-ZOA-004	SCREW SET, PILOT	2	
008	16100-ZOA-815	CARBURETOR ASSY. (BW02B C)	1	
009	16139-ZOA-004	COVER SET, AIR VENT	1	
010	16168-ZOA-004	CAP	2	
011	16178-ZOA-802	GASKET	1	
012	16200-ZOA-802	VALVE ASSY., SOLENOID	1	
013	16211-ZOA-000	INSULATOR, CARBURETOR	1	
<u>Ref</u>	<u>Partnumber</u>	<u>Description</u>	<u>GXV530</u>	<u>Serial Numbers</u>
014	16212-ZOA-000	PACKING, INSULATOR	2	
015	17228-ZOA-003	PACKING, AIR CLEANER	1	
016	90659-680-013	CLIP, WIRE HARNESS	1	
017	95002-02080	CLIP, TUBE (B8)	1	
018	95002-02650	CLIP, TUBE (B6.5)	1	
019	95003-0703031	TUBE, VINYL, 4X7X300 (95003-07001-60M)	1	
020	95005-4540020	TUBE, 4.5X400 (95005-45001-20M)	1	
021	99131-ZOA0820	JET, MAIN, #82.5	(1)	
021	99131-ZOA0850	JET, MAIN, #85	(1)	
021	99131-ZOA0870	JET, MAIN, #87.5	1	
022	99131-ZOA0850	JET, MAIN, #85	(1)	
022	99131-ZOA0870	JET, MAIN, #87.5	(1)	
022	99131-ZOA0900	JET, MAIN, #90	1	
023	99135-ZOA0370	JET, PILOT, #37.5	2	
024	16017-ZOA-801	SCREW	3	
025	16018-ZOA-801	SCREW	4	



Z0ACE1600

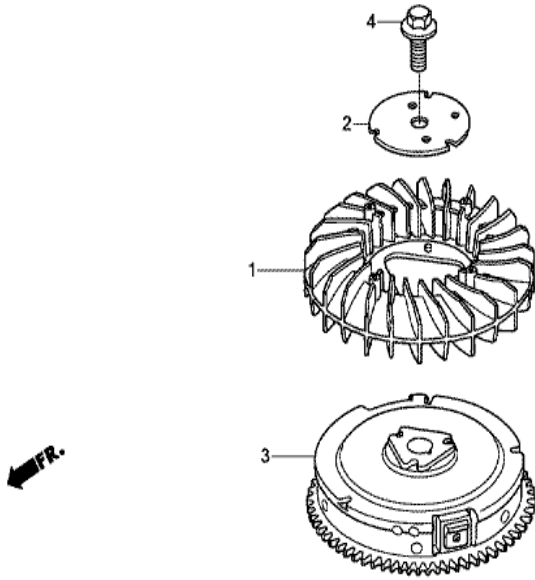
Ref	Partnumber	Description	GXV530	Serial Numbers
001	18331-Z0A-000	PIPE, EX.	2	
002	18333-Z0A-010	GASKET, EX. PIPE	2	
003	94050-06000	NUT, FLANGE, 6MM	4	



FR.

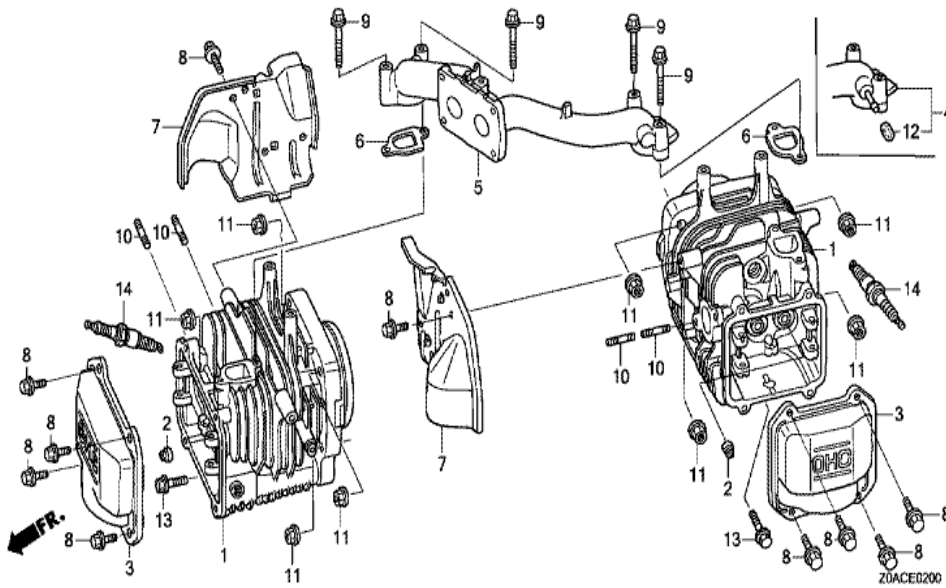
Z0ACE1800

Ref	Partnumber	Description	GXV530	Serial Numbers
001	16700-ZL8-013	PUMP ASSY., FUEL	1	
002	16882-Z0A-000	TUBE, DIAPHRAGM	1	
003	16910-Z6L-003	STRAINER COMP., FUEL	1	
004	93894-0501600	SCREW-WASHER, 5X16	2	
005	95001-5510040	TUBE, FUEL, 5.3X100 (95001-55001-60M)	1	
006	95001-5535040	TUBE, FUEL, 5.3X350 (95001-55001-60M)	1	
007	95002-02100	CLIP, TUBE (B10)	4	

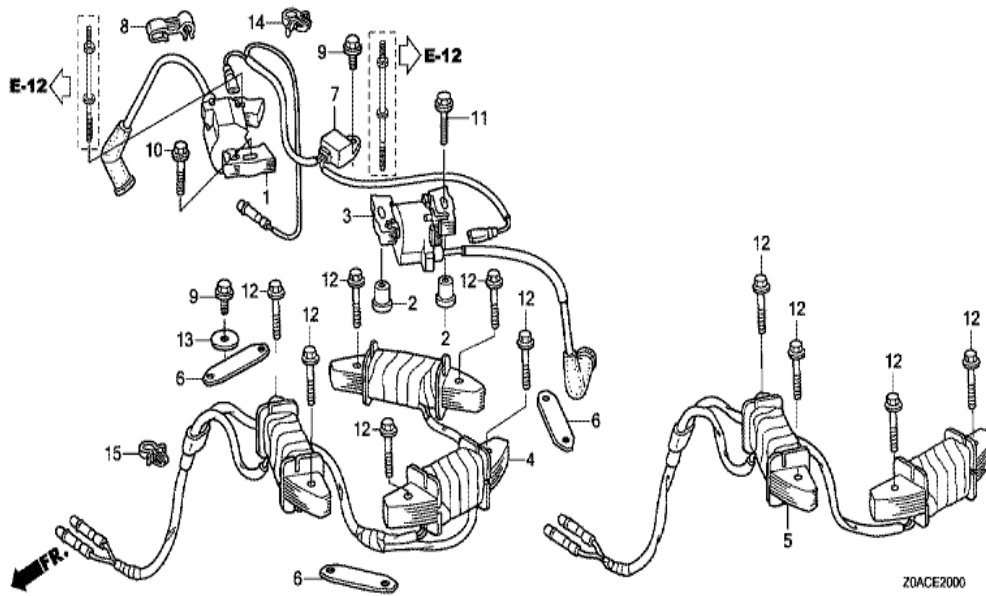


Z0ACE1900

Ref	Partnumber	Description	GXV530	Serial Numbers
001	19511-Z0A-000	FAN, COOLING	1	
002	19513-Z0A-000	PLATE, COOLING FAN SETTING	1	
003	31110-Z0A-800	FLYWHEEL COMP. (6P)	1	
004	90011-Z0A-000	BOLT, FLANGE, 16X35	1	

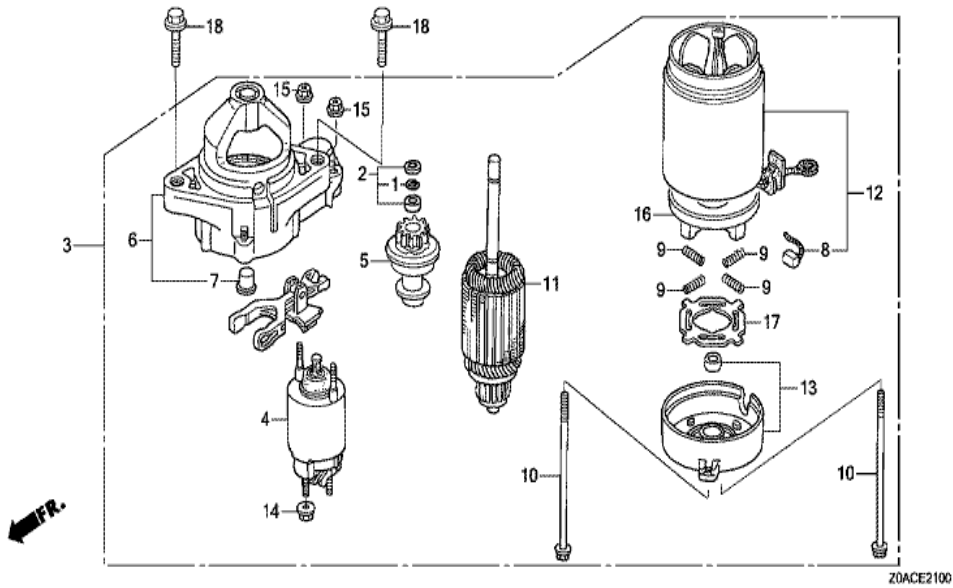


<u>Ref</u>	<u>Partnumber</u>	<u>Description</u>	<u>GXV530</u>	<u>Serial Numbers</u>
001	12100-Z0A-406	CYLINDER COMP.	2	
002	12209-422-005	SEAL, VALVE STEM	2	
003	12311-Z0A-000	COVER, HEAD	2	
005	17101-Z0A-000	MANIFOLD, INTAKE	1	
006	17151-Z0A-000	PACKING, INTAKE MANIFOLD	2	
007	19631-Z0A-000	SHROUD	2	
008	90013-883-000	BOLT, FLANGE, 6X12 (CT200)	10	
009	90016-ZE8-000	BOLT, FLANGE, 6X45 (CT200)	4	
010	90045-892-000	BOLT, STUD, 6X28 (CT200)	4	
011	90201-Z0A-000	NUT, FLANGE, 8MM	8	
013	95701-0603000	BOLT, FLANGE, 6X30	2	
014	98079-54846	PLUG, SPARK (BPR4ES) (NGK)	(2)	
014	98079-54855	PLUG, SPARK (W14EPR-U) (DENSO)	(2)	
<u>Ref</u>	<u>Partnumber</u>	<u>Description</u>	<u>GXV530</u>	<u>Serial Numbers</u>
014	98079-55846	PLUG, SPARK (BPR5ES) (NGK)	2	
014	98079-55855	PLUG, SPARK (W16EPR-U) (DENSO)	2	



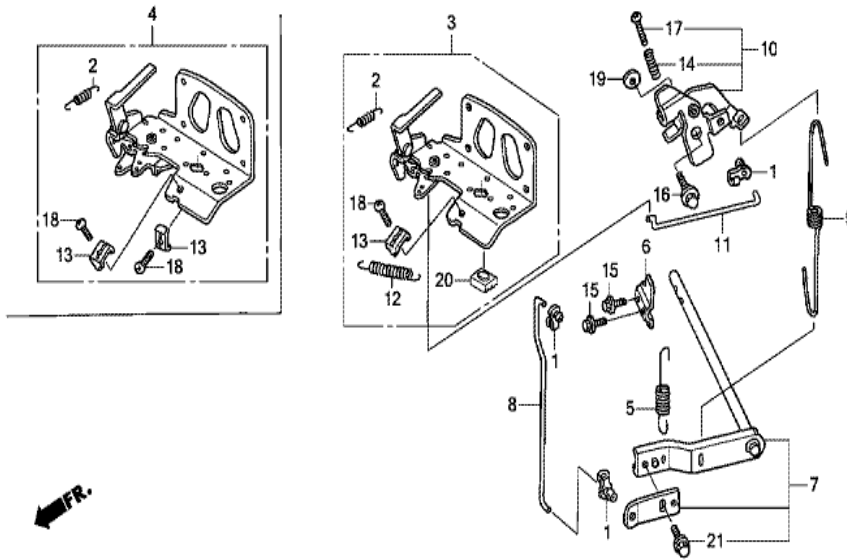
Z0ACE2000

Ref	Partnumber	Description	GXV530	Serial Numbers
001	30500-Z0A-033	COIL ASSY., IGNITION (#1)	1	
002	30509-Z0A-000	COLLAR, IGNITION COIL	2	
003	30550-Z0A-033	COIL ASSY., IGNITION (#2)	1	
005	31630-Z0A-811	COIL ASSY., CHARGE (12V/12A)	1	
007	31740-Z0A-003	DIODE ASSY., ENGINE STOP	1	
008	32768-PJ7-000	CLAMP, CENTER CORD	1	
009	90013-883-000	BOLT, FLANGE, 6X12 (CT200)	2	
010	90015-883-000	BOLT, FLANGE, 6X28 (CT200)	1	
011	90016-ZE8-000	BOLT, FLANGE, 6X45 (CT200)	1	
012	90031-ZE1-000	BOLT, FLANGE, 6X32	4	
013	90136-428-870	WASHER, TANK SETTING	1	
014	90654-SA4-003	CLIP, WIRE HARNESS, 6MM (WHITE)	1	
015	90659-PG6-000	CLIP, WIRE HARNESS	1	



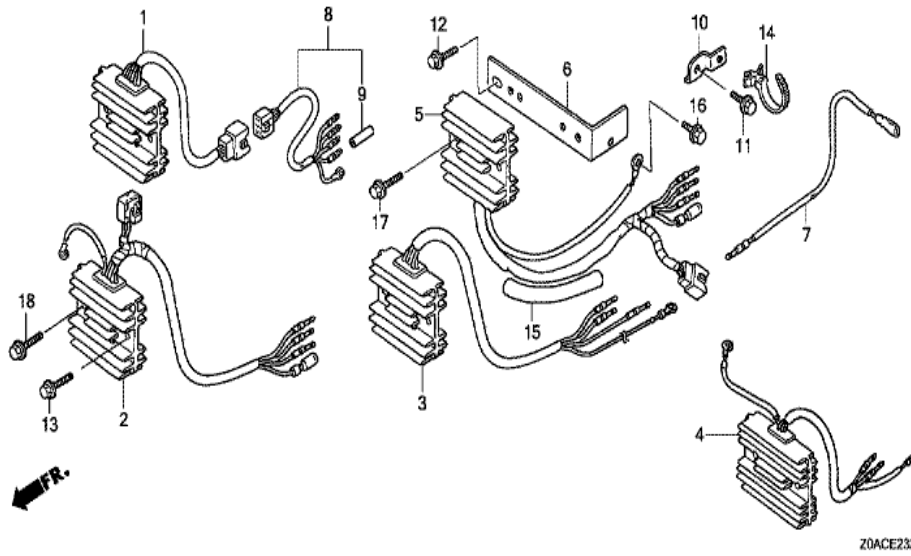
<u>Ref</u>	<u>Partnumber</u>	<u>Description</u>	<u>GXV530</u>	<u>Serial Numbers</u>
001	30201-PH9-004	RING, SNAP (DENSO)	1	
002	30202-PZ1-003	COLLAR SET, CLUTCH STOP	1	
003	31200-Z0A-013	MOTOR ASSY., STARTER	1	
004	31204-Z0A-013	SWITCH ASSY., MAGNET	1	
005	31207-Z0A-003	CLUTCH COMP., OVERRUNNING	1	
006	31208-Z0A-003	HOUSING COMP., DRIVE SIDE	1	
007	31209-PH9-004	BEARING A	1	
008	31211-PH9-004	BRUSH	4	
009	31212-PH9-004	SPRING, BRUSH	4	
010	31214-PH9-004	BOLT, THROUGH	2	
011	31217-Z0A-003	ARMATURE COMP.	1	
012	31218-PH9-004	YOKE COMP.	1	
013	31219-Z0A-003	FRAME COMP., COMMUTATOR END	1	
<u>Ref</u>	<u>Partnumber</u>	<u>Description</u>	<u>GXV530</u>	<u>Serial Numbers</u>
014	31220-PH9-004	NUT, HEX., 8MM	1	
015	31223-PA0-006	NUT, HEX.	2	
016	31231-PH9-004	HOLDER, BRUSH	1	
017	31233-PH9-004	INSULATOR, BRUSH HOLDER	1	
018	95701-1004000	BOLT, FLANGE, 10X40	2	





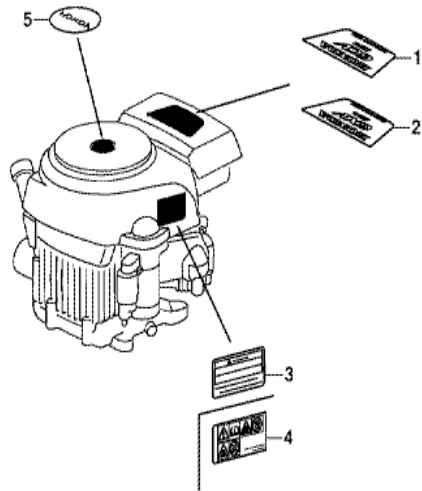
Z0ACE2200

<u>Ref</u>	<u>Partnumber</u>	<u>Description</u>	<u>GXV530</u>	<u>Serial Numbers</u>
001	16263-ZJ7-871	ROD, JOINT	3	
002	16268-Z0A-300	SPRING, CHOKE RETURN	1	
003	16500-Z0A-000	CONTROL ASSY. (1-LEVER)	1	
005	16534-Z0A-000	SPRING, STARTER	1	
006	16542-Z0A-000	FORK, GOVERNOR	1	
007	16550-Z0A-000	ARM COMP., GOVERNOR	1	
008	16555-Z0A-000	ROD, GOVERNOR	1	
009	16561-Z0A-000	SPRING, GOVERNOR	1	
010	16565-Z0A-000	LINK COMP., GOVERNOR	1	
011	16566-Z0A-000	ROD, GOVERNOR LINK	1	
012	16574-Z0A-300	SPRING, LEVER	1	
013	16576-891-000	HOLDER, CABLE	1	
014	16584-883-300	SPRING, CONTROL ADJUSTING	1	
<u>Ref</u>	<u>Partnumber</u>	<u>Description</u>	<u>GXV530</u>	<u>Serial Numbers</u>
015	90002-892-000	BOLT, FLANGE, 5X10	2	
016	90015-Z0A-000	BOLT, FLANGE, 6MM (CT200)	1	
017	90016-ZG9-N30	SCREW, RECESSED, 5X25	1	
018	93500-050160A	SCREW, PAN, 5X16	1	
019	94101-06000	WASHER, PLAIN, 6MM	1	
020	95011-61000	RUBBER A, STAND STOPPER	1	
021	95701-0601000	BOLT, FLANGE, 6X10	1	



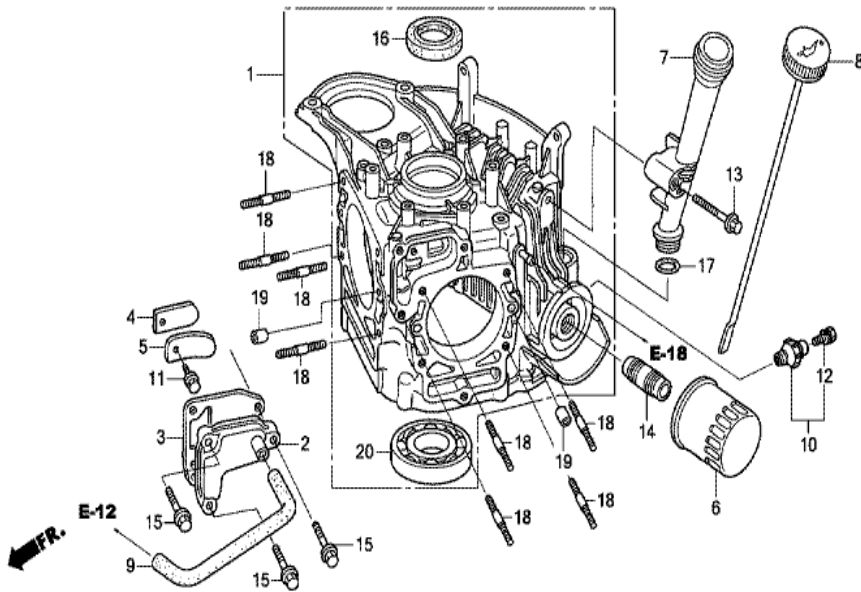
Z0ACE2320

Ref	Partnumber	Description	GXV530	Serial Numbers
001	31750-Z0A-811	RECTIFIER ASSY., REGULATOR	1	
007	32105-Z0A-000	HARNESS ASSY., SUB WIRE	1	
008	32105-ZJ1-800	HARNESS ASSY., SUB WIRE	(1)	
009	32824-ZV5-003	PLUG, OUTER CONNECTOR	(1)	



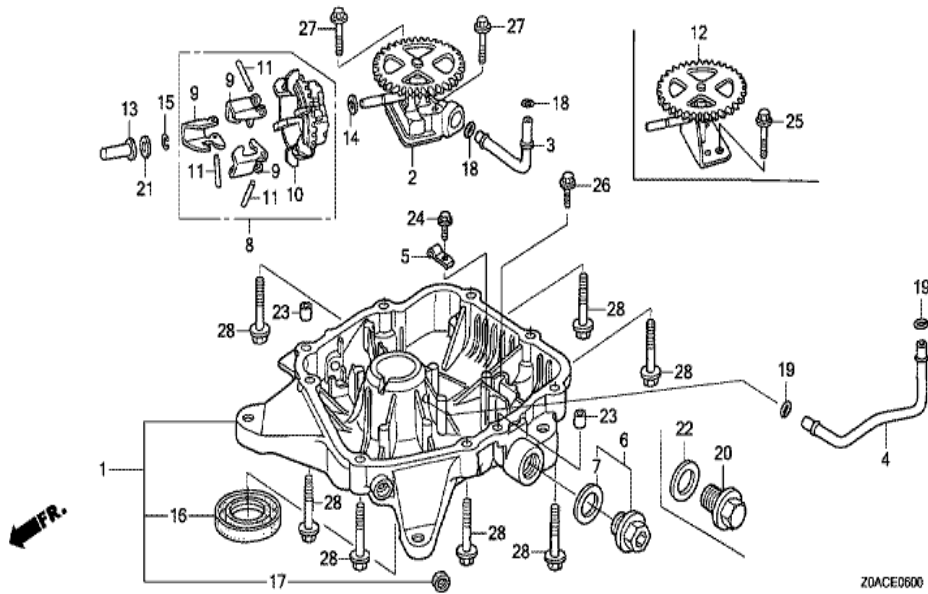
Z0ACE2800

Ref	Partnumber	Description	GXV530	Serial Numbers
002	87101-ZOP-020	MARK, EMBLEM (GXV530)	1	
003	87516-ZH7-010	MARK, OPERATOR CAUTION (ENGLISH) (MADE I	1	
005	87531-Z0A-010	MARK, HONDA	1	
006	87114-ZH7-810	LABEL, WARNING (NOT CERTIFIED FOR SALE)	1	1071169

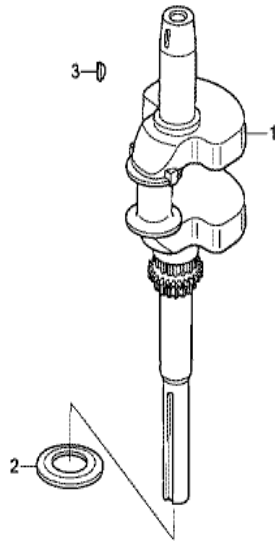


Z0ACE0300

Ref	Partnumber	Description	GXV530	Serial Numbers
001	11100-ZOA-417	CRANKCASE ASSY.	1	
002	12356-ZOA-000	COVER, BREATHER	1	
003	12358-ZOA-000	PACKING, BREATHER COVER	1	
004	12372-ZAO-701	PLATE, VALVE	1	
005	12374-ZOA-000	STOPPER, VALVE	1	
006	15400-PFB-014	CARTRIDGE, OIL FILTER (TOYO ROKI)	1	
007	15631-ZOA-000	EXTENSION, OIL FILLER	1	
008	15655-ZOA-000	GAUGE COMP., OIL LEVEL	1	
009	15721-ZOA-000	TUBE, BREATHER	1	
011	90002-892-000	BOLT, FLANGE, 5X10	1	
013	90016-ZE8-000	BOLT, FLANGE, 6X45 (CT200)	1	
014	90018-PN3-000	HOLDER, OIL FILTER	1	
015	90121-952-000	BOLT, FLANGE, 6X25 (CT200)	3	
Ref	Partnumber	Description	GXV530	Serial Numbers
016	91201-ZE3-004	OIL SEAL, 35X52X8	1	
017	91301-ZE9-003	O-RING, 22.1X2.2	1	
018	92900-080280E	BOLT, STUD, 8X28	8	
019	94301-08140	DOWEL PIN, 8X14	4	
020	96100-6207000	BEARING, RADIAL BALL, 6207	1	

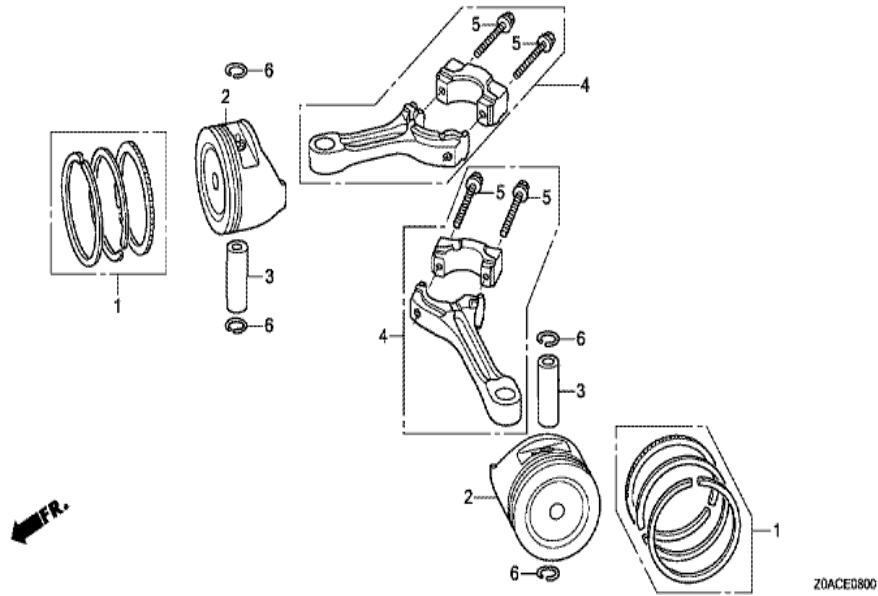


<u>Ref</u>	<u>Partnumber</u>	<u>Description</u>	<u>GXV530</u>	<u>Serial Numbers</u>
001	11300-Z0A-010	PAN ASSY., OIL	1	
002	15100-Z0A-801	PUMP ASSY., OIL	1	
003	15161-Z0A-000	PIPE, OIL PUMP	1	
008	16510-Z0A-000	GOVERNOR ASSY.	1	
009	16511-Z0A-000	WEIGHT, GOVERNOR	3	
010	16512-Z0A-000	HOLDER, GOVERNOR WEIGHT	1	
011	16513-ZE2-000	PIN, GOVERNOR WEIGHT	3	
013	16531-Z0A-000	SLIDER, GOVERNOR	1	
014	90473-147-000	WASHER, 6X16	1	
015	90602-ZE1-000	CLIP, GOVERNOR HOLDER	1	
016	91202-Z0A-003	OIL SEAL, 31X50X8	1	
017	91206-333-003	OIL SEAL, 10X16X4.5	1	
018	91301-Z0A-003	O-RING, 7.5X2.3	2	
<u>Ref</u>	<u>Partnumber</u>	<u>Description</u>	<u>GXV530</u>	<u>Serial Numbers</u>
020	92800-20000	BOLT, DRAIN PLUG, 20MM	1	
021	94101-06800	WASHER, PLAIN, 6MM	1	
022	94109-20000	WASHER, DRAIN PLUG, 20MM	1	
023	94301-08140	DOWEL PIN, 8X14	2	
026	95701-0602200	BOLT, FLANGE, 6X22	1	
027	95701-0603000	BOLT, FLANGE, 6X30	2	
028	95701-0804000	BOLT, FLANGE, 8X40	7	



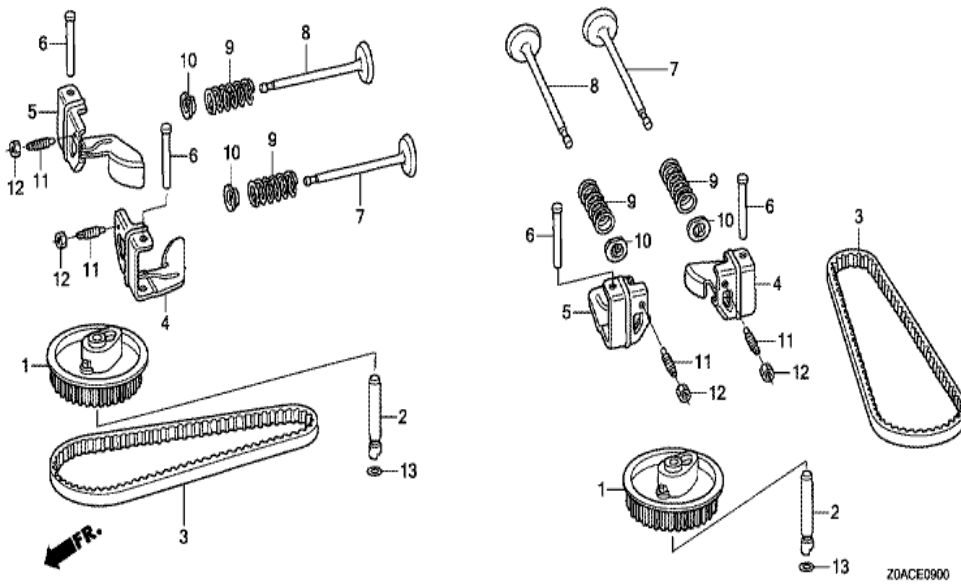
Z0ACE0700

Ref	Partnumber	Description	GXV530	Serial Numbers
001	13310-Z0A-000	CRANKSHAFT COMP.	1	
002	90401-Z0A-000	WASHER, THRUST	1	
003	90741-ZE2-000	KEY, SPECIAL WOODRUFF, 25X18	1	



Z0ACE0800

Ref	Partnumber	Description	GXV530	Serial Numbers
001	13010-Z5Z-004	RING SET, PISTON (STD.) (TEIKOKU)	2	
002	13101-Z0A-801	PISTON (STD.)	2	
003	13111-ZJ1-840	PIN, PISTON	2	
004	13200-Z0A-003	ROD ASSY., CONNECTING	2	
005	90001-ZN1-000	BOLT, CONNECTING ROD, 6X37	4	
006	90551-ZE1-000	CLIP, PISTON PIN, 18MM	4	



Ref	Partnumber	Description	GXV530	Serial Numbers
001	14320-Z0A-000	PULLEY COMP., CAMSHAFT	2	
002	14324-ZL8-000	SHAFT, CAM PULLEY	2	
003	14400-Z0A-003	BELT, TIMING (97HU8 G-200)	2	
004	14431-Z0A-000	ARM, IN. VALVE ROCKER	2	
005	14441-Z0A-000	ARM, EX. VALVE ROCKER	2	
006	14461-Z0A-000	SHAFT, ROCKER ARM	4	
007	14711-Z0A-000	VALVE, IN.	2	
008	14721-Z0A-000	VALVE, EX.	2	
009	14751-ZE1-000	SPRING, VALVE	4	
010	14771-ZE1-000	RETAINER, IN. VALVE SPRING	4	
011	90012-333-000	SCREW, TAPPET ADJUSTING	4	
012	90206-001-000	NUT, TAPPET ADJUSTING	4	
013	91301-ZM0-V31	O-RING, 6.8X1.9 (ARAI)	2	