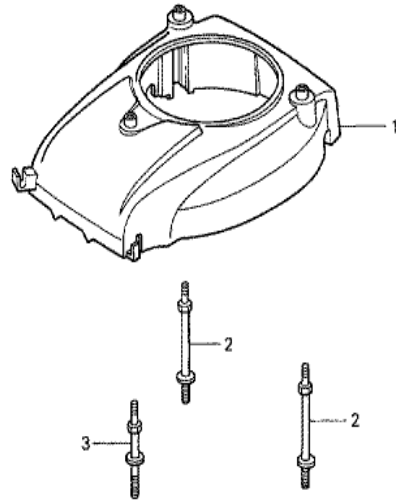


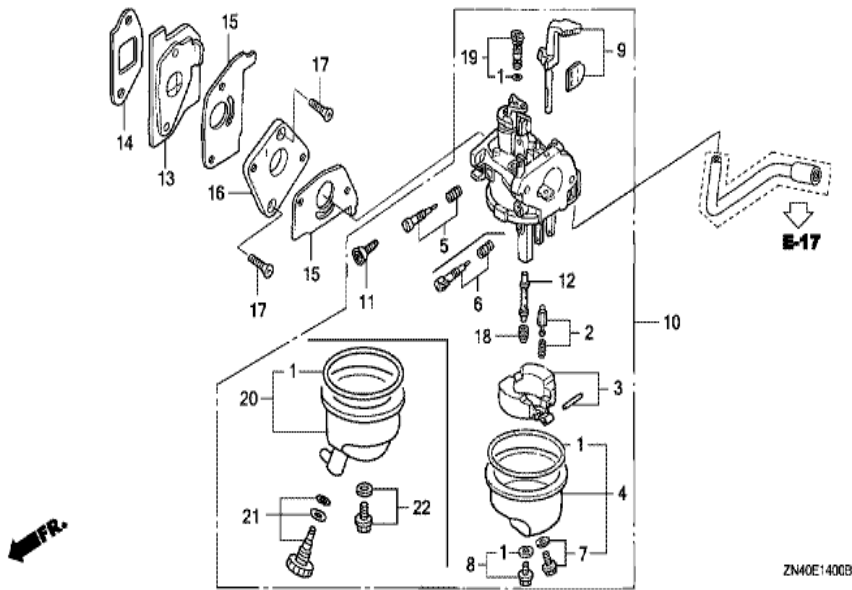
ZN40-E1100C

| <u>Ref</u> | <u>Partnumber</u> | <u>Description</u> | <u>GXV50</u> | <u>Serial Numbers</u> |
|------------|-------------------|------------------------|--------------|-----------------------|
| 001 | 28400-ZM7-003 | STARTER ASSY., RECOIL | 1 | |
| 002 | 28414-ZM7-003 | CASE, RECOIL STARTER | 1 | |
| 003 | 28421-ZM7-003 | REEL, RECOIL STARTER | 1 | |
| 004 | 28433-ZM3-003 | GUIDE, ROPE | 1 | |
| 005 | 28451-ZM7-003 | PULLEY, RECOIL STARTER | 1 | |
| 006 | 28459-ZM7-003 | ARM, SWING | 2 | |
| 007 | 28461-ZM3-003 | KNOB, RECOIL STARTER | 1 | |
| 008 | 28462-ZM7-003 | ROPE, RECOIL STARTER | 1 | |
| 009 | 90012-ZM3-003 | SCREW, SETTING | 1 | |
| 010 | 91504-ZM7-003 | COLLAR | 1 | |
| 011 | 94050-05000 | NUT, FLANGE, 5MM | 3 | |
| 012 | 28404-968-004 | SPRING, FRICTION | 1 | |
| 013 | 28442-ZL8-003 | SPRING, RECOIL STARTER | 1 | |



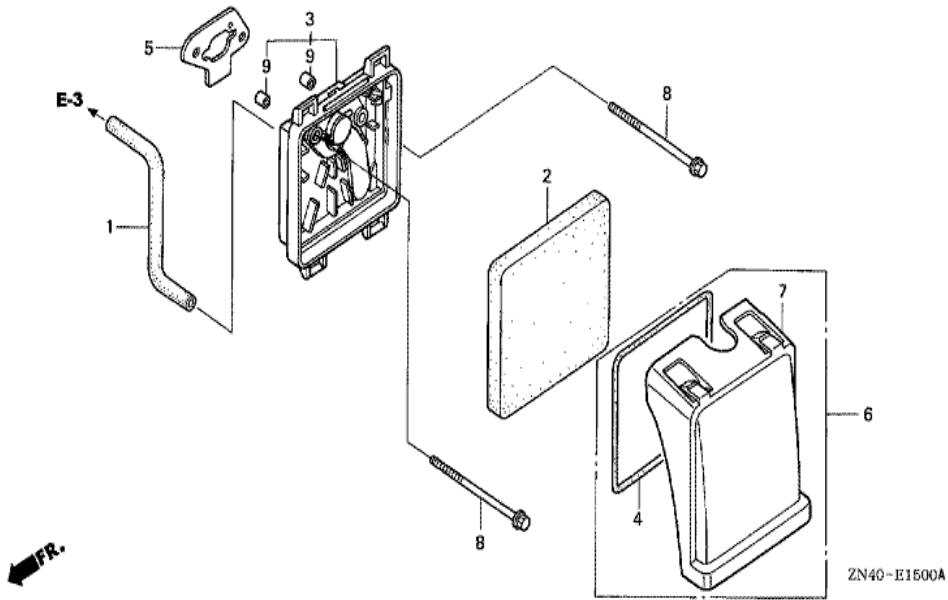
ZN40-E1200

| Ref | Partnumber | Description | GXV50 | Serial Numbers |
|-----|-----------------|------------------------|-------|----------------|
| 001 | 19610-ZM7-000ZA | COVER COMP., FAN *R8 * | 1 | |
| 002 | 90042-ZM7-000 | BOLT A, STUD | 2 | |
| 003 | 90043-ZM7-000 | BOLT B, STUD | 1 | |

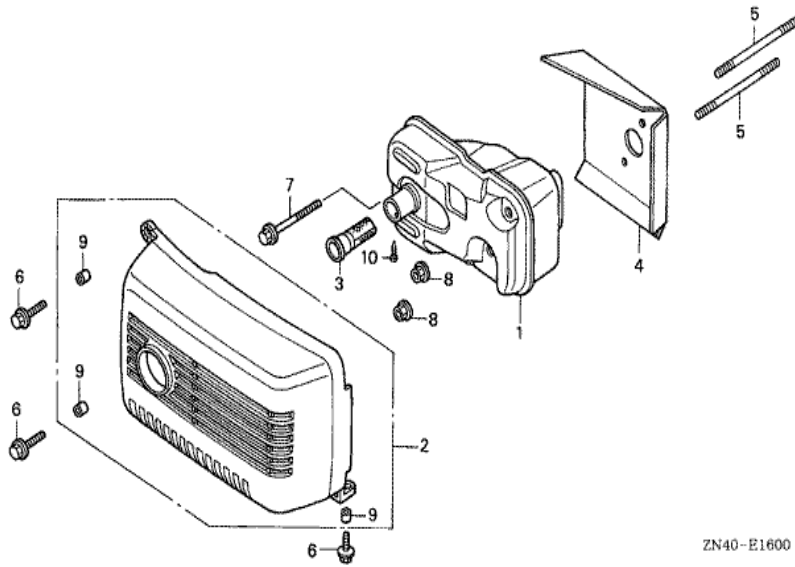


ZN40E1400B

| <u>Ref</u> | <u>Partnumber</u> | <u>Description</u> | <u>GXV50</u> | <u>Serial Numbers</u> |
|------------|-------------------|----------------------------|--------------|-----------------------|
| 001 | 16010-ZG0-015 | GASKET SET | 1 | |
| 002 | 16011-ZE0-005 | VALVE SET, FLOAT | 1 | |
| 003 | 16013-ZG0-811 | FLOAT SET | 1 | |
| 004 | 16015-ZG0-811 | CHAMBER SET, FLOAT | 1 | |
| 006 | 16016-ZH7-W01 | SCREW SET, PILOT | 1 | |
| 007 | 16024-ZE1-811 | SCREW SET, DRAIN | 1 | |
| 008 | 16028-ZG0-811 | SCREW SET | 1 | |
| 009 | 16044-ZM7-003 | CHOKE SET | 1 | |
| 010 | 16100-ZN4-801 | CARBURETOR ASSY. (BF31D A) | 1 | 1007277 |
| 010 | 16100-ZN4-803 | CARBURETOR ASSY. (BF31D C) | 1 | |
| 010 | 16100-ZN4-803 | CARBURETOR ASSY. (BF31D C) | 1 | 1011659 |
| 011 | 16124-ZE0-005 | SCREW, THROTTLE STOP | 1 | |
| 012 | 16166-ZM7-003 | NOZZLE, MAIN | 1 | |
| <u>Ref</u> | <u>Partnumber</u> | <u>Description</u> | <u>GXV50</u> | <u>Serial Numbers</u> |
| 013 | 16211-ZN4-000 | INSULATOR, CARBURETOR | 1 | |
| 014 | 16212-ZM7-000 | PACKING, INSULATOR | 1 | |
| 015 | 16221-ZG0-801 | PACKING, CARBURETOR | 2 | |
| 016 | 16225-ZN4-000 | PLATE, CARBURETOR JOINT | 1 | |
| 017 | 93600-050200A | SCREW, FLAT, 5X20 | 2 | |
| 018 | 99101-ZG00500 | JET, MAIN, #50 | (1) | |
| 018 | 99101-ZG00500 | JET, MAIN, #50 | (1) | |
| 018 | 99101-ZG00500 | JET, MAIN, #50 | (1) | |
| 018 | 99101-ZG00520 | JET, MAIN, #52 | (1) | BF31D C |
| 018 | 99101-ZG00550 | JET, MAIN, #55 | 1 | |
| 018 | 99101-ZG00550 | JET, MAIN, #55 | 1 | |
| 018 | 99101-ZG00550 | JET, MAIN, #55 | 1 | |
| 019 | 99204-ZE20350 | JET SET, PILOT, #35 | 1 | |



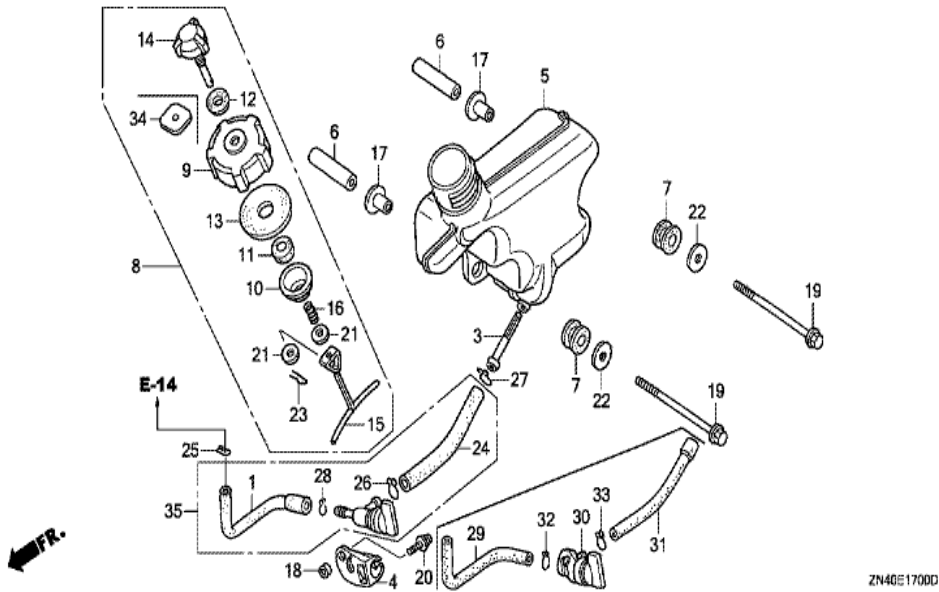
| Ref | Partnumber | Description | GXV50 | Serial Numbers |
|-----|---------------|--------------------------|-------|----------------|
| 001 | 15721-ZN4-000 | TUBE, BREATHER | 1 | |
| 002 | 17211-ZM7-000 | ELEMENT, AIR CLEANER | 1 | |
| 003 | 17220-ZM7-000 | CASE COMP, AIR CLEANER | 1 | |
| 004 | 17227-ZM7-000 | SEAL, AIR CLEANER | 1 | |
| 005 | 17228-ZM7-000 | PACKING, AIR CLEANER | 1 | |
| 006 | 17230-ZM7-000 | COVER COMP., AIR CLEANER | 1 | |
| 007 | 17231-ZM7-000 | COVER, AIR CLEANER | 1 | |
| 008 | 90004-ZN4-000 | BOLT, FLANGE, 5X65 | 2 | |
| 009 | 91503-ZM7-000 | COLLAR, AIR CLEANER | 2 | |



ZN40-E1600



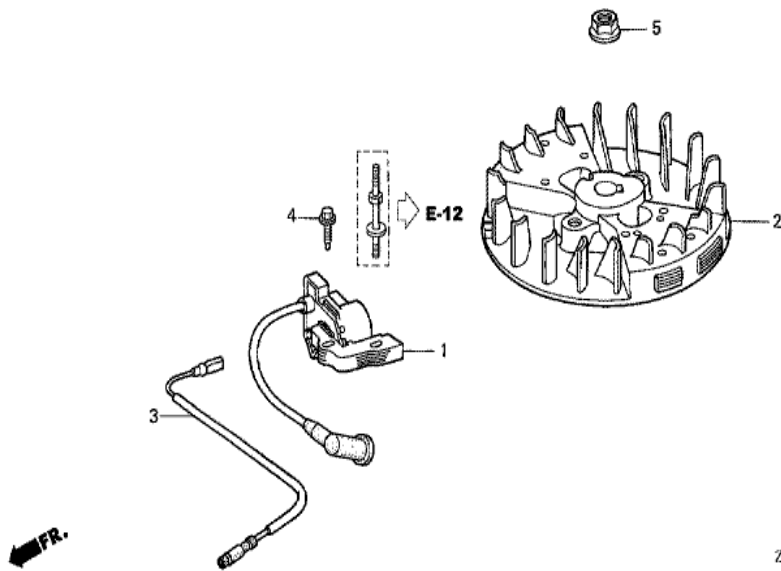
| <u>Ref</u> | <u>Partnumber</u> | <u>Description</u> | <u>GXV50</u> | <u>Serial Numbers</u> |
|------------|-------------------|--------------------------|--------------|-----------------------|
| 001 | 18310-ZM7-003 | MUFFLER COMP. | 1 | |
| 001 | 18310-ZM7-801 | MUFFLER COMP. | (1) | |
| 001 | 18310-ZM7-801 | MUFFLER COMP. | (1) | |
| 002 | 18320-ZM7-000 | PROTECTOR COMP., MUFFLER | 1 | |
| 003 | 18350-ZM7-801 | ARRESTER COMP., SPARK | 1 | |
| 003 | 18350-ZM7-801 | ARRESTER COMP., SPARK | (1) | |
| 004 | 18515-ZM7-000 | GUIDE, AIR | 1 | |
| 005 | 90002-ZM7-000 | BOLT, STUD, 5X55 | 2 | |
| 006 | 90012-892-000 | BOLT, FLANGE, 5X16 | 3 | |
| 007 | 90103-P4V-010 | BOLT, FLANGE, 5X35 | 1 | |
| 008 | 90136-SM4-901 | NUT, SELF-LOCK, 5MM | 2 | |
| 009 | 91502-ZM3-000 | COLLAR, TOP COVER | 3 | |
| 010 | 93903-24110 | SCREW, TAPPING, 4X8 | 1 | |
| <u>Ref</u> | <u>Partnumber</u> | <u>Description</u> | <u>GXV50</u> | <u>Serial Numbers</u> |
| 010 | 93903-24110 | SCREW, TAPPING, 4X8 | (1) | |



ZN40E1700D

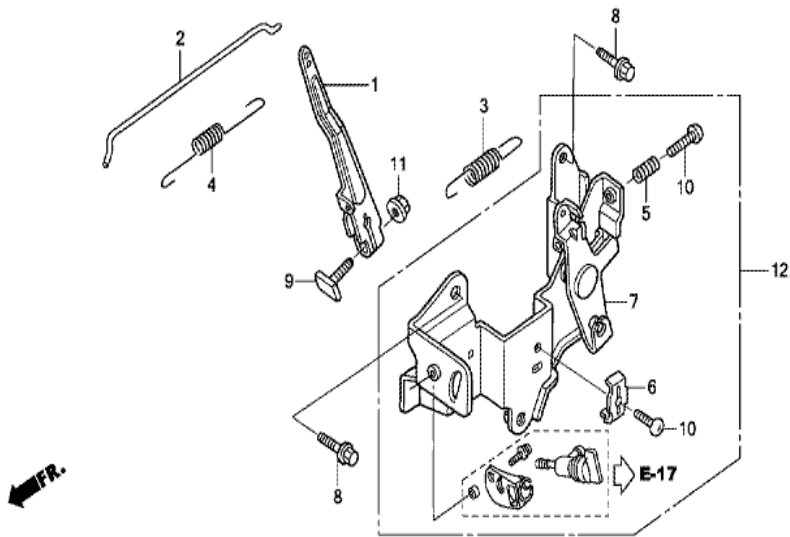
| Ref | Partnumber | Description | GXV50 | Serial Numbers |
|-----|---------------|---------------------------|-------|----------------|
| 001 | 16861-ZN4-000 | TUBE B, FUEL | 1 | |
| 003 | 16952-ZE6-000 | STRAINER, FUEL | 1 | |
| 004 | 16956-ZM0-000 | BRACKET, FUEL COCK | 1 | |
| 005 | 17510-ZN4-000 | TANK COMP., FUEL | 1 | |
| 006 | 17517-ZN4-000 | COLLAR, TANK SETTING | 2 | |
| 007 | 17532-ZM7-000 | RUBBER A, TANK MOUNTING | 2 | |
| 008 | 17620-ZV0-020 | CAP ASSY., FUEL TANK | 1 | |
| 008 | 17620-ZV0-020 | CAP ASSY., FUEL TANK | 1 | 1277928 |
| 009 | 17621-ZV0-020 | BODY, FUEL CAP | 1 | |
| 009 | 17621-ZV0-020 | BODY, FUEL CAP | 1 | 1280622 |
| 010 | 17622-ZV0-000 | INNER, FUEL CAP | 1 | |
| 011 | 17623-ZV0-000 | SPONGE, FUEL CAP BREATHER | 1 | |
| 012 | 17624-ZV0-000 | PACKING, VALVE | 1 | |

| <u>Ref</u> | <u>Partnumber</u> | <u>Description</u> | <u>GXV50</u> | <u>Serial Numbers</u> |
|------------|-------------------|--------------------------------------|--------------|-----------------------|
| 013 | 17625-ZV0-000 | PACKING, FUEL CAP | 1 | |
| 014 | 17626-ZV0-010 | VALVE COMP., BREATHER | 1 | |
| 015 | 17628-ZV0-000 | LINK, FUEL CAP | 1 | |
| 016 | 17629-ZV0-000 | SPRING, FUEL CAP | 1 | |
| 017 | 19052-MB4-880 | COLLAR, CANISTER MOUNTING | 2 | |
| 018 | 33609-GK4-620 | COLLAR, FR. WINKER | 1 | |
| 019 | 90015-ZG0-801 | BOLT, FLANGE, 6X65 | 2 | |
| 020 | 93891-0501008 | SCREW-WASHER, 5X10 | 1 | |
| 021 | 94101-04200 | WASHER, PLAIN, 4MM | 2 | |
| 022 | 94103-06800 | WASHER, PLAIN, 6MM | 2 | |
| 023 | 94251-04000 | PIN, LOCK, 4MM | 1 | |
| 024 | 95001-7506540 | TUBE, FUEL, 7.5X65 (95001-75001-60M) | 1 | |
| 025 | 95002-02080 | CLIP, TUBE (B8) | 1 | |
| 026 | 95002-02120 | CLIP, TUBE (B12) | 1 | |
| 027 | 95002-02130 | CLIP, TUBE (B12.5) | 1 | |
| 028 | 95002-50000 | CLIP, TUBE (C9) | 1 | |
| 029 | 16861-ZN4-800 | TUBE B, FUEL | (1) | |
| 031 | 17701-ZN4-800 | TUBE, FUEL TANK | (1) | |
| 032 | 95002-02080 | CLIP, TUBE (B8) | (1) | |
| 033 | 95002-02100 | CLIP, TUBE (B10) | (1) | |
| 035 | 04103-ZN4-000 | COCK KIT, FUEL | 1 | |



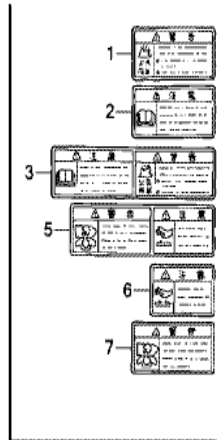
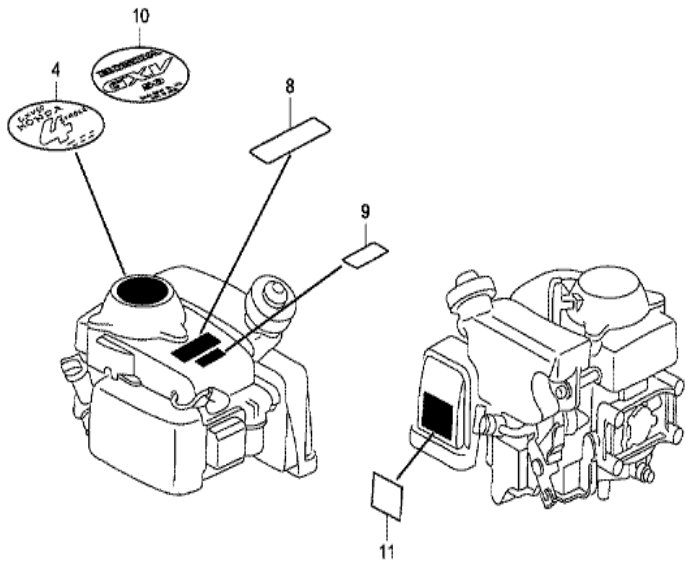
ZN40-E1900 B

| Ref | Partnumber | Description | GXV50 | Serial Numbers |
|-----|---------------|----------------------|-------|----------------|
| 001 | 30500-ZM7-004 | COIL ASSY., IGNITION | 1 | |
| 002 | 31110-ZM7-004 | FLYWHEEL COMP. | 1 | |
| 003 | 32195-ZN4-000 | CORD, STOP SWITCH | 1 | |
| 004 | 90004-ZC3-000 | BOLT, FLANGE, 5X20 | 1 | |
| 005 | 94050-10000 | NUT, FLANGE, 10MM | 1 | |



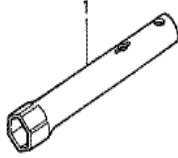
ZN40E2200B

| Ref | Partnumber | Description | GXV50 | Serial Numbers |
|-----|---------------|---------------------------|-------|----------------|
| 001 | 16551-ZN4-000 | ARM, GOVERNOR | 1 | |
| 002 | 16555-ZN4-000 | ROD, GOVERNOR | 1 | |
| 003 | 16561-ZN4-000 | SPRING, GOVERNOR | 1 | |
| 004 | 16562-ZN4-800 | SPRING, THROTTLE RETURN | 1 | |
| 004 | 16562-ZN4-800 | SPRING, THROTTLE RETURN | 1 | |
| 005 | 16571-892-000 | SPRING, CONTROL ADJUSTING | 1 | |
| 006 | 16576-891-000 | HOLDER, CABLE | 1 | |
| 007 | 16580-ZN4-000 | BASE COMP., CONTROL | 1 | |
| 008 | 90003-892-000 | BOLT, FLANGE, 5X12 | 2 | |
| 009 | 90015-ZE5-010 | BOLT, GOVERNOR ARM | 1 | |
| 010 | 93500-050200H | SCREW, PAN, 5X20 | 2 | |
| 011 | 94050-06000 | NUT, FLANGE, 6MM | 1 | |



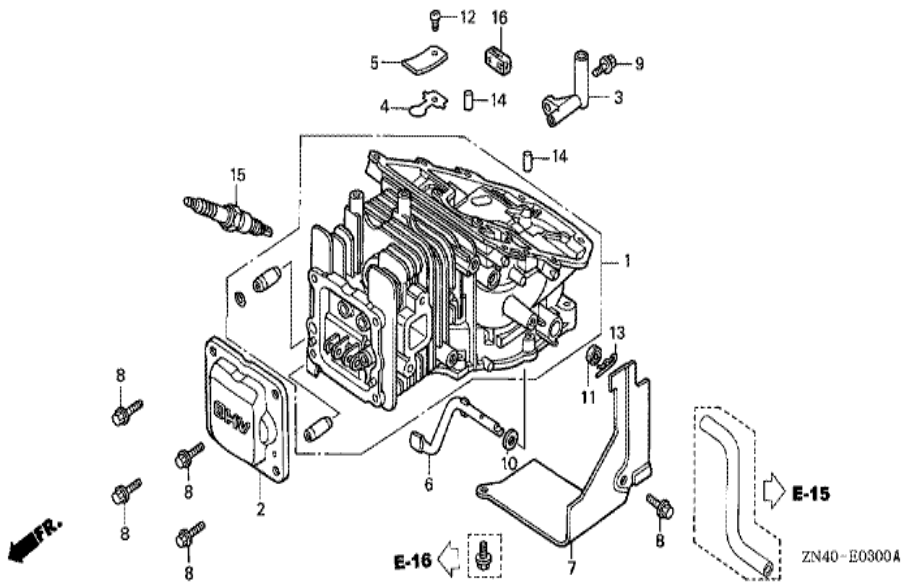
ZN40E2800C

| Ref | Partnumber | Description | GXV50 | Serial Numbers |
|-----|---------------|------------------|-------|----------------|
| 004 | 87521-ZN4-000 | EMBLEM (4STROKE) | 1 | |

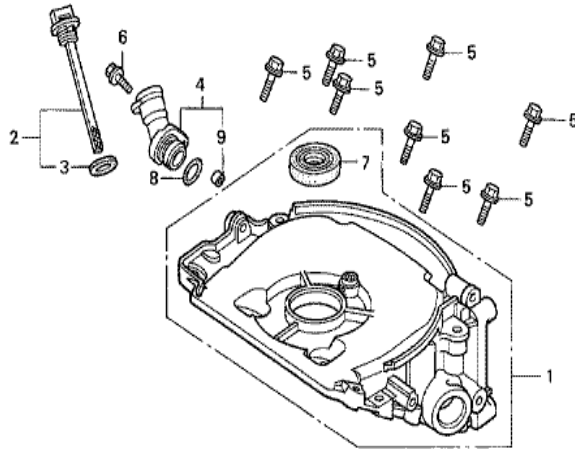


ZN40-E2900

| <u>Ref</u> | <u>Partnumber</u> | <u>Description</u> | <u>GXV50</u> | <u>Serial Numbers</u> |
|------------|-------------------|--------------------|--------------|-----------------------|
| 001 | 89216-130-690 | WRENCH, SPARK PLUG | 1 | |
| 001 | 89216-130-690 | WRENCH, SPARK PLUG | (1) | |



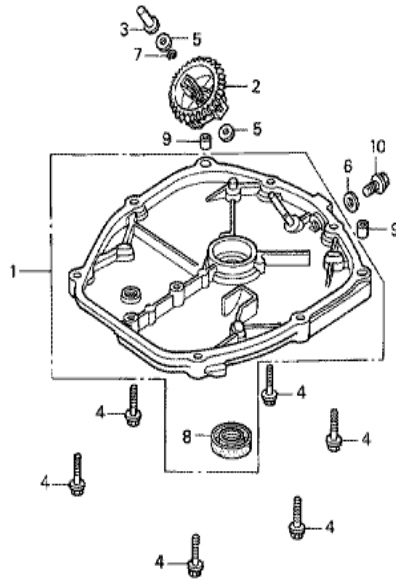
| <u>Ref</u> | <u>Partnumber</u> | <u>Description</u> | <u>GXV50</u> | <u>Serial Numbers</u> |
|------------|-------------------|-------------------------|--------------|-----------------------|
| 001 | 12100-ZM7-000 | BARREL COMP., CYLINDER | 1 | |
| 002 | 12311-ZM7-000 | COVER, HEAD | 1 | |
| 003 | 15171-ZN4-000 | PIPE, BREATHER | 1 | |
| 004 | 15571-ZM7-003 | VALVE, OIL OUTLET | 1 | |
| 005 | 15572-ZM7-000 | PLATE, STOPPER | 1 | |
| 006 | 16541-ZM7-000 | SHAFT, GOVERNOR ARM | 1 | |
| 007 | 19631-ZM7-000 | SHROUD | 1 | |
| 008 | 90003-892-000 | BOLT, FLANGE, 5X12 | 5 | |
| 009 | 90008-ZM7-000 | BOLT, 4X10 | 1 | |
| 010 | 90443-ZC3-000 | WASHER, 5.2X9 | 1 | |
| 011 | 91231-ZC3-003 | OIL SEAL, 5X11X5 | 1 | |
| 012 | 93500-030050A | SCREW, PAN, 3X5 | 1 | |
| 013 | 94251-06000 | PIN, LOCK, 6MM | 1 | |
| <u>Ref</u> | <u>Partnumber</u> | <u>Description</u> | <u>GXV50</u> | <u>Serial Numbers</u> |
| 014 | 96220-60150 | ROLLER, 6X15 | 2 | |
| 015 | 98056-54757 | PLUG, SPARK (U14FSR-UB) | (1) | |
| 015 | 98056-54757 | PLUG, SPARK (U14FSR-UB) | (1) | |
| 015 | 98056-54777 | PLUG, SPARK (CR4HSB) | (1) | |
| 015 | 98056-54777 | PLUG, SPARK (CR4HSB) | (1) | |
| 015 | 98056-55757 | PLUG, SPARK (U16FSR-UB) | 1 | |
| 015 | 98056-55757 | PLUG, SPARK (U16FSR-UB) | 1 | |
| 015 | 98056-55777 | PLUG, SPARK (CR5HSB) | 1 | |
| 015 | 98056-55777 | PLUG, SPARK (CR5HSB) | 1 | |



FR.

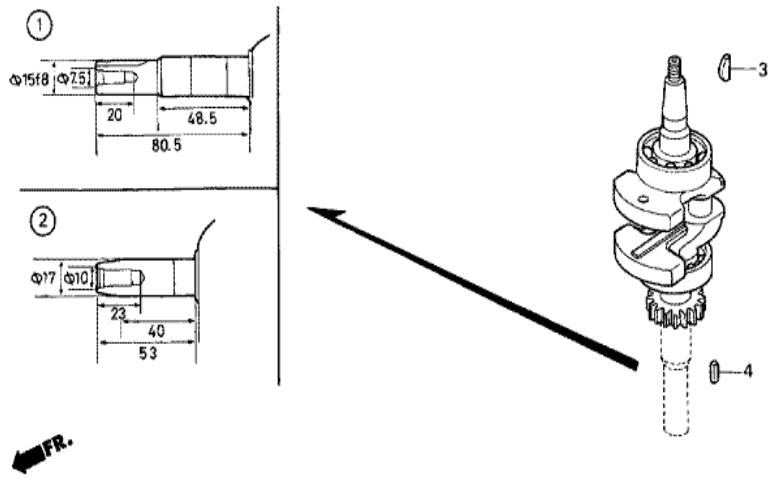
ZN40-E0500

| Ref | Partnumber | Description | GXV50 | Serial Numbers |
|-----|---------------|--------------------------|-------|----------------|
| 001 | 11300-ZN4-405 | CASE ASSY., OIL | 1 | |
| 002 | 15600-ZN4-003 | CAP ASSY., OIL FILLER | 1 | |
| 003 | 15625-ZE1-003 | PACKING, OIL FILLER CAP | 1 | |
| 004 | 15631-ZN4-000 | EXTENSION, OIL FILLER | 1 | |
| 005 | 90006-ZM7-000 | BOLT, FLANGE, 5X23 | 8 | |
| 006 | 90012-896-750 | BOLT, FLANGE, 5X14 | 1 | |
| 007 | 91202-HC5-003 | OIL SEAL, 17X27X5 (ARAI) | 1 | |
| 008 | 91331-PC9-003 | O-RING, 21.2X2.4 (ARAI) | 1 | |
| 009 | 91502-ZM3-000 | COLLAR, TOP COVER | 1 | |



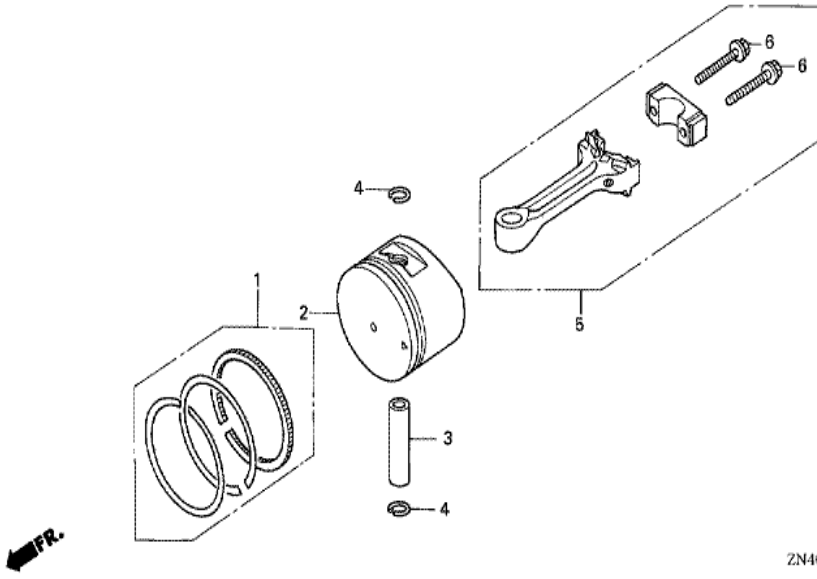
ZN40-EG000

| Ref | Partnumber | Description | GXV50 | Serial Numbers |
|-----|---------------|-----------------------------|-------|----------------|
| 001 | 11340-ZN4-801 | COVER COMP., CRANKCASE SIDE | 1 | 1030744 |
| 001 | 11340-ZN4-801 | COVER COMP., CRANKCASE SIDE | 1 | 1030744 |
| 001 | 11340-ZN4-802 | COVER COMP., CRANKCASE SIDE | 1 | 1030745 |
| 001 | 11340-ZN4-802 | COVER COMP., CRANKCASE SIDE | 1 | 1030745 |
| 002 | 16510-ZM7-000 | GOVERNOR ASSY. | 1 | |
| 003 | 16531-ZM7-000 | SLIDER, GOVERNOR | 1 | |
| 004 | 90006-ZM7-000 | BOLT, FLANGE, 5X23 | 6 | |
| 005 | 90441-ZM7-000 | WASHER, 4.2X13 | 2 | |
| 006 | 90471-580-000 | PACKING, 8MM | 1 | |
| 007 | 90602-ZM7-000 | CLIP, GOVERNOR HOLDER | 1 | |
| 008 | 91202-HC5-003 | OIL SEAL, 17X27X5 (ARAI) | 1 | |
| 009 | 94301-06100 | DOWEL PIN, 6X10 | 2 | |
| 010 | 95701-0801208 | BOLT, FLANGE, 8X12 | 1 | |



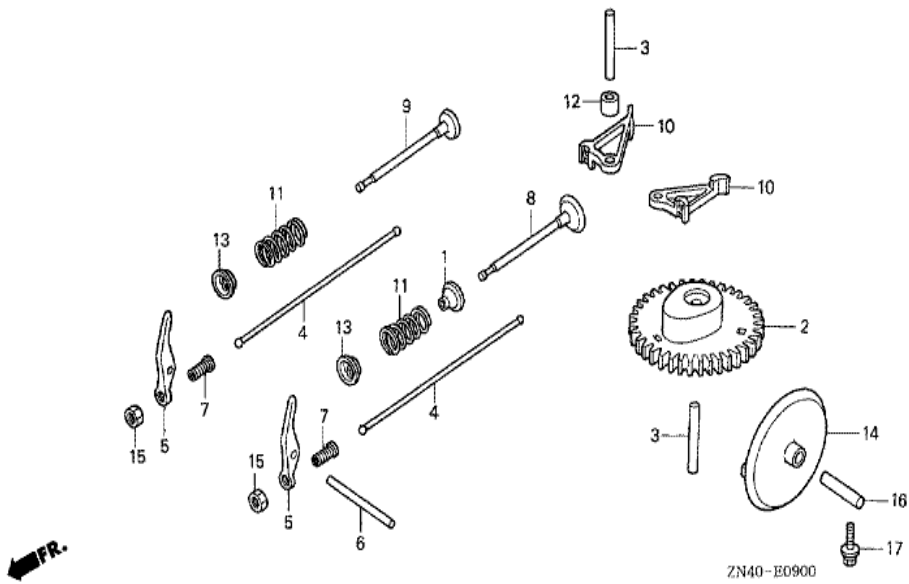
ZN40-E0700

| Ref | Partnumber | Description | GXV50 | Serial Numbers |
|-----|---------------|------------------|-------|----------------|
| 002 | 13310-ZN4-000 | CRANKSHAFT COMP. | 1 | |
| 003 | 13331-ZM7-000 | KEY, SPECIAL | 1 | |



ZN40-E0800

| Ref | Partnumber | Description | GXV50 | Serial Numbers |
|-----|---------------|-------------------------|-------|----------------|
| 001 | 13010-ZM7-000 | RING SET, PISTON (STD.) | 1 | |
| 002 | 13101-ZM7-000 | PISTON (STD.) | 1 | 1032236 |
| 002 | 13101-ZM7-010 | PISTON (STD.) | 1 | |
| 002 | 13101-ZM7-010 | PISTON (STD.) | 1 | 1032237 |
| 003 | 13111-122-000 | PIN, PISTON, 10X33 | 1 | |
| 004 | 13115-147-000 | CLIP, PISTON PIN, 10MM | 2 | |
| 005 | 13200-ZN4-000 | ROD ASSY., CONNECTING | 1 | |
| 006 | 90001-ZM7-000 | BOLT, CONNECTING ROD | 2 | |



| <u>Ref</u> | <u>Partnumber</u> | <u>Description</u> | <u>GXV50</u> | <u>Serial Numbers</u> |
|------------|-------------------|------------------------|--------------|-----------------------|
| 001 | 12209-ZM7-003 | SEAL, VALVE STEM | 1 | |
| 002 | 14100-ZM7-000 | CAMSHAFT ASSY. | 1 | 1005258 |
| 002 | 14100-ZM7-010 | CAMSHAFT ASSY. | 1 | 1005259 |
| 002 | 14100-ZM7-010 | CAMSHAFT ASSY. | 1 | 1005259 |
| 003 | 14126-Z0G-003 | ROLLER (5X29.8) | 2 | 1030745 |
| 003 | 90702-P6R-008 | PIN, OIL PUMP | 2 | 1030744 |
| 003 | 90702-P6R-008 | PIN, OIL PUMP | 2 | 1030744 |
| 004 | 14410-ZM7-000 | ROD, PUSH | 2 | |
| 005 | 14431-ZM7-000 | ARM, VALVE ROCKER | 2 | |
| 006 | 14435-ZM7-003 | ROLLER (4X37.8) | 1 | |
| 007 | 14451-ZM7-000 | PIVOT, ROCKER ARM | 2 | |
| 008 | 14711-ZM7-000 | VALVE, IN. | 1 | |
| 009 | 14721-ZM7-000 | VALVE, EX. | 1 | |
| <u>Ref</u> | <u>Partnumber</u> | <u>Description</u> | <u>GXV50</u> | <u>Serial Numbers</u> |
| 010 | 14731-ZM7-003 | LIFTER, VALVE | 2 | |
| 010 | 14731-ZM7-013 | LIFTER, VALVE | 2 | 1006421 |
| 010 | 14731-ZM7-013 | LIFTER, VALVE | 2 | 1006421 |
| 011 | 14751-ZM7-000 | SPRING, VALVE | 2 | |
| 012 | 14754-ZM7-000 | COLLAR, LIFTER | 1 | |
| 013 | 14771-ZM3-000 | RETAINER, VALVE SPRING | 2 | |
| 013 | 14771-ZM3-010 | RETAINER, VALVE SPRING | 2 | 1003435 |
| 013 | 14771-ZM3-010 | RETAINER, VALVE SPRING | 2 | 1003435 |
| 014 | 15361-ZN4-000 | SLINGER, OIL | 1 | |
| 015 | 90206-KM3-000 | NUT, TAPPET ADJUSTING | 2 | |
| 016 | 91151-VB5-800 | ROLLER, 6X25 | 1 | |
| 017 | 93404-0501608 | BOLT-WASHER, 5X16 | 1 | |