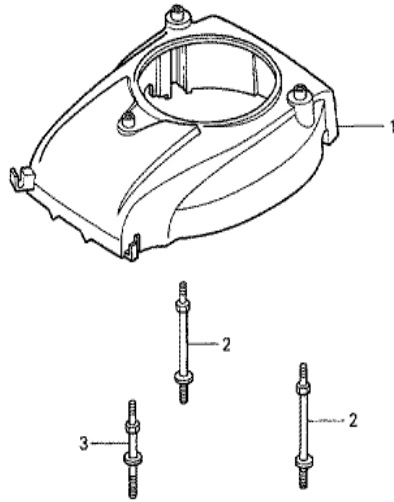


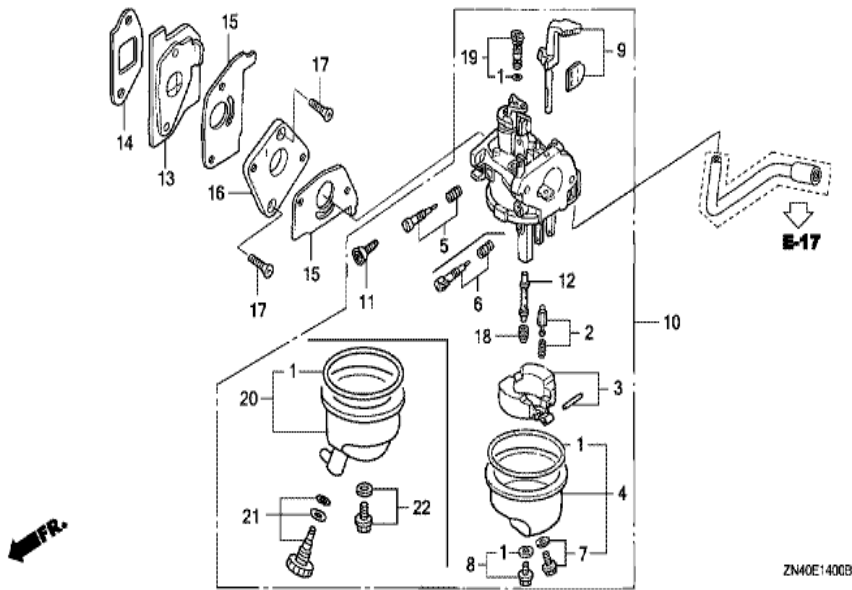
ZN40-E1100C

Ref	Partnumber	Description	GXV50	Serial Numbers
001	28400-ZM7-003	STARTER ASSY., RECOIL	1	
002	28414-ZM7-003	CASE, RECOIL STARTER	1	
003	28421-ZM7-003	REEL, RECOIL STARTER	1	
004	28433-ZM3-003	GUIDE, ROPE	1	
005	28451-ZM7-003	PULLEY, RECOIL STARTER	1	
006	28459-ZM7-003	ARM, SWING	2	
007	28461-ZM3-003	KNOB, RECOIL STARTER	1	
008	28462-ZM7-003	ROPE, RECOIL STARTER	1	
009	90012-ZM3-003	SCREW, SETTING	1	
010	91504-ZM7-003	COLLAR	1	
011	94050-05000	NUT, FLANGE, 5MM	3	
012	28404-968-004	SPRING, FRICTION	1	
013	28442-ZL8-003	SPRING, RECOIL STARTER	1	

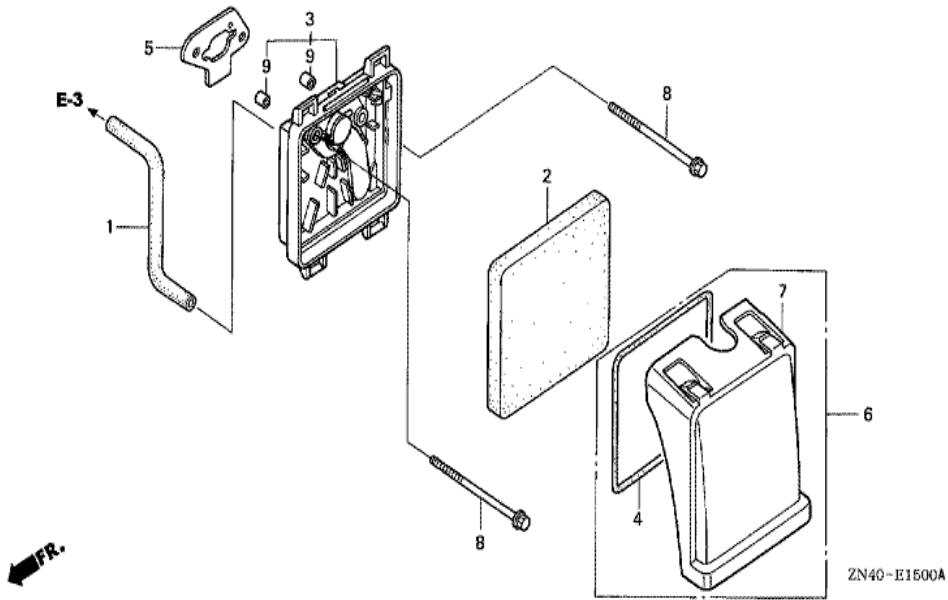


ZN40-E1200

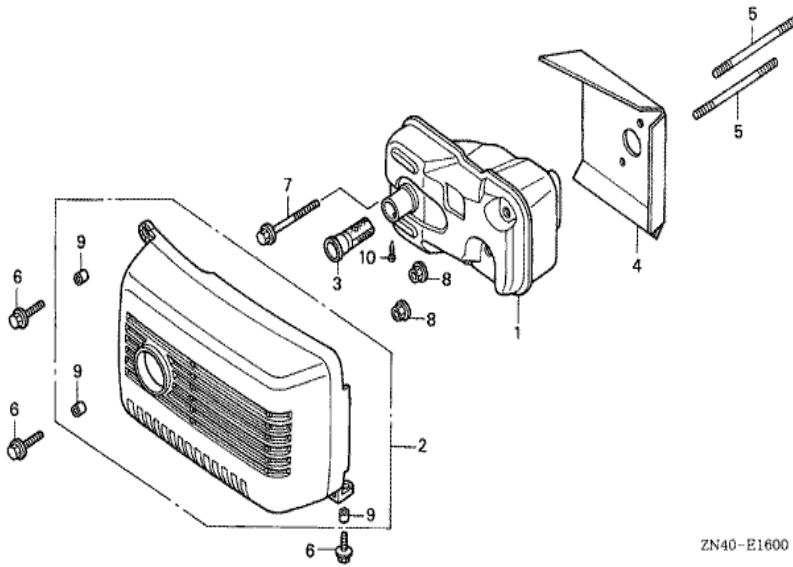
Ref	Partnumber	Description	GXV50	Serial Numbers
001	19610-ZM7-000ZA	COVER COMP., FAN *R8 *	1	
001	19610-ZM7-000ZA	COVER COMP., FAN *R8 *	1	1110563
001	19610-ZM7-000ZC	COVER COMP., FAN *R280 *	1	1110564
001	19610-ZM7-000ZC	COVER COMP., FAN *R280 *	1	1110564
002	90042-ZM7-000	BOLT A, STUD	2	
003	90043-ZM7-000	BOLT B, STUD	1	



<u>Ref</u>	<u>Partnumber</u>	<u>Description</u>	<u>GXV50</u>	<u>Serial Numbers</u>
001	16010-ZG0-015	GASKET SET	1	
002	16011-ZE0-005	VALVE SET, FLOAT	1	
003	16013-ZG0-811	FLOAT SET	1	
004	16015-ZG0-811	CHAMBER SET, FLOAT	1	
006	16016-ZH7-W01	SCREW SET, PILOT	1	
007	16024-ZE1-811	SCREW SET, DRAIN	1	
008	16028-ZG0-811	SCREW SET	1	
009	16044-ZM7-003	CHOKE SET	1	
010	16100-ZN4-803	CARBURETOR ASSY. (BF31D C)	1	
011	16124-ZE0-005	SCREW, THROTTLE STOP	1	
012	16166-ZM7-003	NOZZLE, MAIN	1	
013	16211-ZN4-000	INSULATOR, CARBURETOR	1	
014	16212-ZM7-000	PACKING, INSULATOR	1	
<u>Ref</u>	<u>Partnumber</u>	<u>Description</u>	<u>GXV50</u>	<u>Serial Numbers</u>
015	16221-ZG0-801	PACKING, CARBURETOR	2	
016	16225-ZN4-000	PLATE, CARBURETOR JOINT	1	
017	93600-050200A	SCREW, FLAT, 5X20	2	
018	99101-ZG00500	JET, MAIN, #50	(1)	
018	99101-ZG00500	JET, MAIN, #50	(1)	
018	99101-ZG00500	JET, MAIN, #50	(1)	
018	99101-ZG00520	JET, MAIN, #52	(1)	BF31D C
018	99101-ZG00550	JET, MAIN, #55	1	
018	99101-ZG00550	JET, MAIN, #55	1	
018	99101-ZG00550	JET, MAIN, #55	1	
018	99101-ZG00550	JET, MAIN, #55	1	
019	99204-ZE20350	JET SET, PILOT, #35	1	



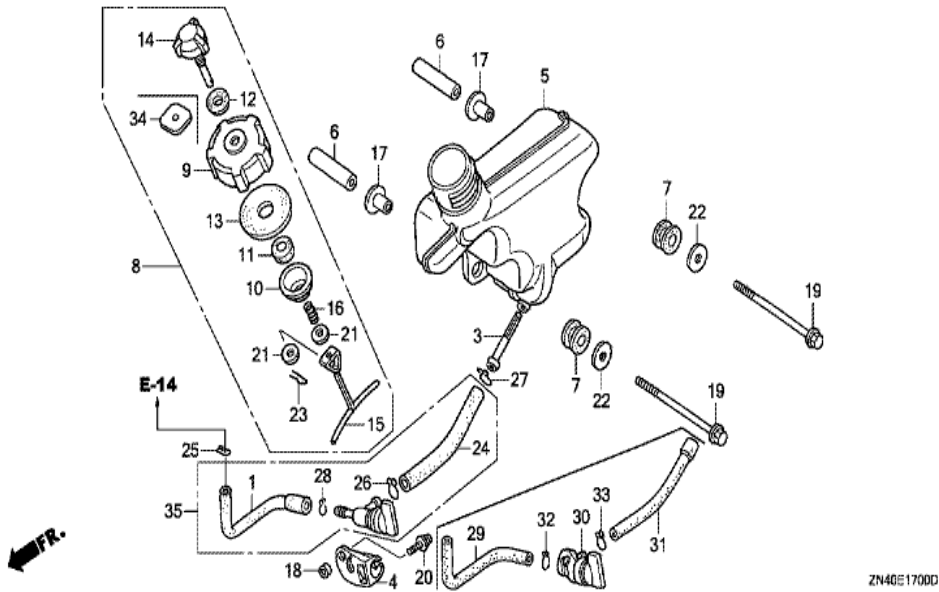
Ref	Partnumber	Description	GXV50	Serial Numbers
001	15721-ZN4-000	TUBE, BREATHER	1	
002	17211-ZM7-000	ELEMENT, AIR CLEANER	1	
003	17220-ZM7-000	CASE COMP, AIR CLEANER	1	
004	17227-ZM7-000	SEAL, AIR CLEANER	1	
005	17228-ZM7-000	PACKING, AIR CLEANER	1	
006	17230-ZM7-000	COVER COMP., AIR CLEANER	1	
007	17231-ZM7-000	COVER, AIR CLEANER	1	
008	90004-ZN4-000	BOLT, FLANGE, 5X65	2	
009	91503-ZM7-000	COLLAR, AIR CLEANER	2	



ZN40-E1600



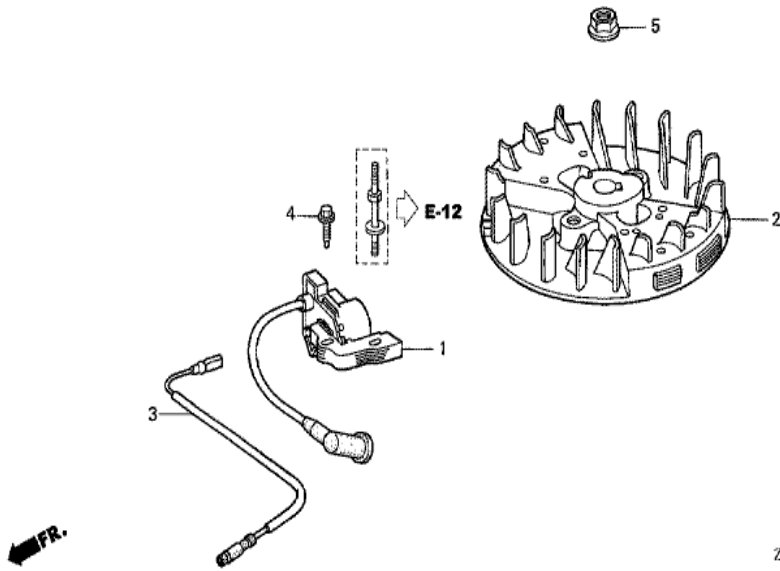
<u>Ref</u>	<u>Partnumber</u>	<u>Description</u>	<u>GXV50</u>	<u>Serial Numbers</u>
001	18310-ZM7-003	MUFFLER COMP.	1	
001	18310-ZM7-801	MUFFLER COMP.	(1)	
001	18310-ZM7-801	MUFFLER COMP.	(1)	
002	18320-ZM7-000	PROTECTOR COMP., MUFFLER	1	
003	18350-ZM7-801	ARRESTER COMP., SPARK	1	
003	18350-ZM7-801	ARRESTER COMP., SPARK	(1)	
004	18515-ZM7-000	GUIDE, AIR	1	
005	90002-ZM7-000	BOLT, STUD, 5X55	2	
006	90012-892-000	BOLT, FLANGE, 5X16	3	
007	90103-P4V-010	BOLT, FLANGE, 5X35	1	
008	90136-SM4-901	NUT, SELF-LOCK, 5MM	2	
009	91502-ZM3-000	COLLAR, TOP COVER	3	
010	93903-24110	SCREW, TAPPING, 4X8	1	
<u>Ref</u>	<u>Partnumber</u>	<u>Description</u>	<u>GXV50</u>	<u>Serial Numbers</u>
010	93903-24110	SCREW, TAPPING, 4X8	(1)	



ZN40E1700D

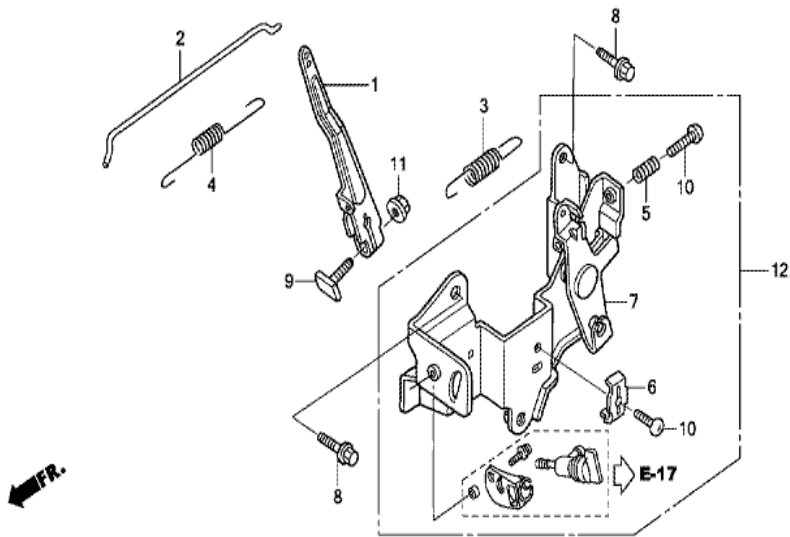
Ref	Partnumber	Description	GXV50	Serial Numbers
001	16861-ZN4-000	TUBE B, FUEL	1	
001	16861-ZN4-000	TUBE B, FUEL	1	1116665
003	16952-ZE6-000	STRAINER, FUEL	1	
004	16956-ZM0-000	BRACKET, FUEL COCK	1	
004	16956-ZM0-000	BRACKET, FUEL COCK	1	1116665
005	17510-ZN4-000	TANK COMP., FUEL	1	
006	17517-ZN4-000	COLLAR, TANK SETTING	2	
007	17532-ZM7-000	RUBBER A, TANK MOUNTING	2	
008	17620-ZV0-020	CAP ASSY., FUEL TANK	1	
008	17620-ZV0-020	CAP ASSY., FUEL TANK	1	1277928
009	17621-ZV0-020	BODY, FUEL CAP	1	
009	17621-ZV0-020	BODY, FUEL CAP	1	1280622
010	17622-ZV0-000	INNER, FUEL CAP	1	

<u>Ref</u>	<u>Partnumber</u>	<u>Description</u>	<u>GXV50</u>	<u>Serial Numbers</u>
011	17623-ZV0-000	SPONGE, FUEL CAP BREATHER	1	
012	17624-ZV0-000	PACKING, VALVE	1	
013	17625-ZV0-000	PACKING, FUEL CAP	1	
014	17626-ZV0-010	VALVE COMP., BREATHER	1	
015	17628-ZV0-000	LINK, FUEL CAP	1	
016	17629-ZV0-000	SPRING, FUEL CAP	1	
017	19052-MB4-880	COLLAR, CANISTER MOUNTING	2	
018	33609-GK4-620	COLLAR, FR. WINKER	1	
019	90015-ZG0-801	BOLT, FLANGE, 6X65	2	
020	93891-0501008	SCREW-WASHER, 5X10	1	
021	94101-04200	WASHER, PLAIN, 4MM	2	
022	94103-06800	WASHER, PLAIN, 6MM	2	
023	94251-04000	PIN, LOCK, 4MM	1	
024	95001-7506540	TUBE, FUEL, 7.5X65 (95001-75001-60M)	1	
024	95001-7506540	TUBE, FUEL, 7.5X65 (95001-75001-60M)	1	1116665
025	95002-02080	CLIP, TUBE (B8)	1	
026	95002-02120	CLIP, TUBE (B12)	1	
026	95002-02120	CLIP, TUBE (B12)	1	1116665
027	95002-02130	CLIP, TUBE (B12.5)	1	
028	95002-50000	CLIP, TUBE (C9)	1	
028	95002-50000	CLIP, TUBE (C9)	1	1116665
029	16861-ZN4-800	TUBE B, FUEL	1	
029	16861-ZN4-800	TUBE B, FUEL	1	1116666
029	16861-ZN4-800	TUBE B, FUEL	(1)	1116665
030	16950-ZM0-003	COCK ASSY., FUEL	1	
030	16950-ZM0-003	COCK ASSY., FUEL	1	1116666
031	17701-ZN4-800	TUBE, FUEL TANK	1	
031	17701-ZN4-800	TUBE, FUEL TANK	1	1116666
031	17701-ZN4-800	TUBE, FUEL TANK	(1)	1116665
032	95002-02080	CLIP, TUBE (B8)	1	
032	95002-02080	CLIP, TUBE (B8)	1	1116666
032	95002-02080	CLIP, TUBE (B8)	(1)	1116665
033	95002-02100	CLIP, TUBE (B10)	1	
<u>Ref</u>	<u>Partnumber</u>	<u>Description</u>	<u>GXV50</u>	<u>Serial Numbers</u>
033	95002-02100	CLIP, TUBE (B10)	1	1116666
033	95002-02100	CLIP, TUBE (B10)	(1)	1116665
035	04103-ZN4-000	COCK KIT, FUEL	1	1116665



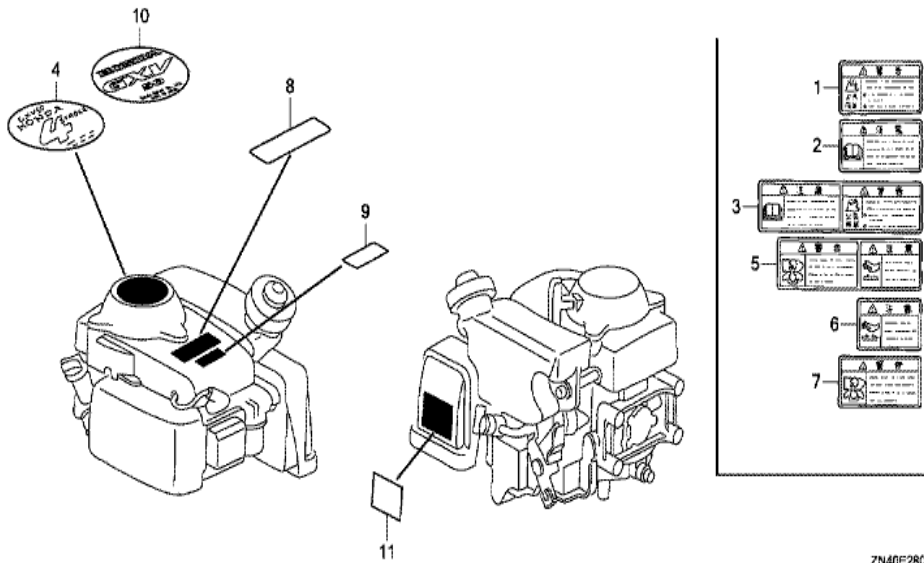
ZN40-E1900 B

Ref	Partnumber	Description	GXV50	Serial Numbers
001	30500-ZM7-004	COIL ASSY., IGNITION	1	
002	31110-ZM7-004	FLYWHEEL COMP.	1	
003	32195-ZN4-000	CORD, STOP SWITCH	1	
004	90004-ZC3-000	BOLT, FLANGE, 5X20	1	
005	94050-10000	NUT, FLANGE, 10MM	1	



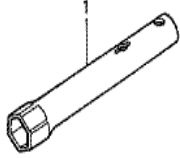
ZN40E2200B

Ref	Partnumber	Description	GXV50	Serial Numbers
001	16551-ZN4-000	ARM, GOVERNOR	1	
002	16555-ZN4-000	ROD, GOVERNOR	1	
003	16561-ZN4-000	SPRING, GOVERNOR	1	
004	16562-ZN4-800	SPRING, THROTTLE RETURN	1	
004	16562-ZN4-800	SPRING, THROTTLE RETURN	1	
005	16571-892-000	SPRING, CONTROL ADJUSTING	1	
006	16576-891-000	HOLDER, CABLE	1	
007	16580-ZN4-000	BASE COMP., CONTROL	1	
008	90003-892-000	BOLT, FLANGE, 5X12	2	
009	90015-ZE5-010	BOLT, GOVERNOR ARM	1	
010	93500-050200H	SCREW, PAN, 5X20	2	
011	94050-06000	NUT, FLANGE, 6MM	1	



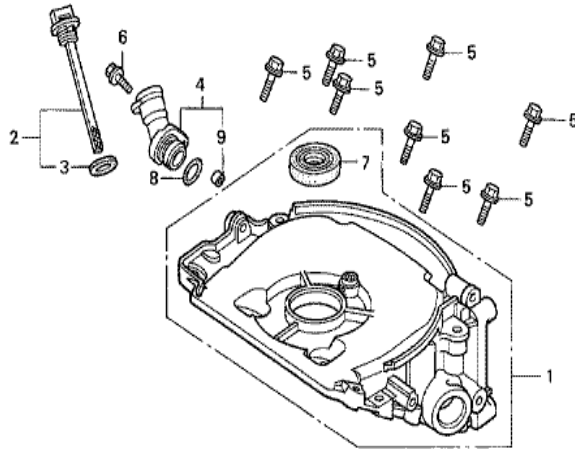
ZN40E2800C

Ref	Partnumber	Description	GXV50	Serial Numbers
001	87106-737-J00	MARK, FUEL WARNING	(1)	
002	87150-ZH8-000	MARK, CAUTION (JAPANESE)	(1)	
003	87520-ZH8-000	MARK A, COMBINATION (JAPANESE)	(1)	
004	87521-ZN4-000	EMBLEM (4STROKE)	1	
004	87521-ZN4-000	EMBLEM (4STROKE)	1	1111713
004	87521-ZN4-010	EMBLEM (4STROKE)	1	1111714
004	87521-ZN4-010	EMBLEM (4STROKE)	1	1111714
005	87526-ZH8-000	MARK B, COMBINATION (JAPANESE)	(1)	
006	87539-737-J00	MARK, HEAT CAUTION	(1)	
007	87561-733-J00	MARK, EX. GAS WARNING	(1)	
008	87135-ZE2-020	LABEL, E-SPEC (15.5X27.5)	1	1229656
008	87135-ZE2-020	LABEL, E-SPEC (15.5X27.5)	1	



ZN40-E2900

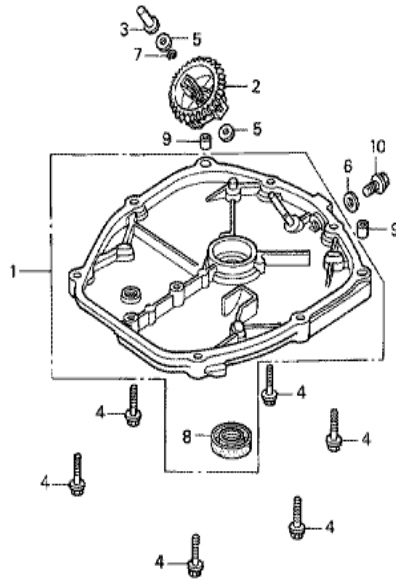
<u>Ref</u>	<u>Partnumber</u>	<u>Description</u>	<u>GXV50</u>	<u>Serial Numbers</u>
001	89216-130-690	WRENCH, SPARK PLUG	1	
001	89216-130-690	WRENCH, SPARK PLUG	(1)	



FR.

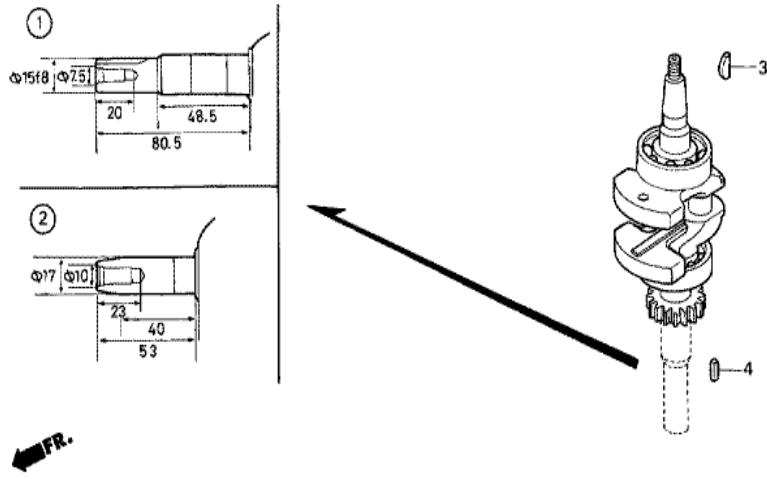
ZN40-E0500

Ref	Partnumber	Description	GXV50	Serial Numbers
001	11300-ZN4-405	CASE ASSY., OIL	1	
002	15600-ZN4-003	CAP ASSY., OIL FILLER	1	
003	15625-ZE1-003	PACKING, OIL FILLER CAP	1	
004	15631-ZN4-000	EXTENSION, OIL FILLER	1	
005	90006-ZM7-000	BOLT, FLANGE, 5X23	8	
006	90012-896-750	BOLT, FLANGE, 5X14	1	
007	91202-HC5-003	OIL SEAL, 17X27X5 (ARAI)	1	
008	91331-PC9-003	O-RING, 21.2X2.4 (ARAI)	1	
009	91502-ZM3-000	COLLAR, TOP COVER	1	



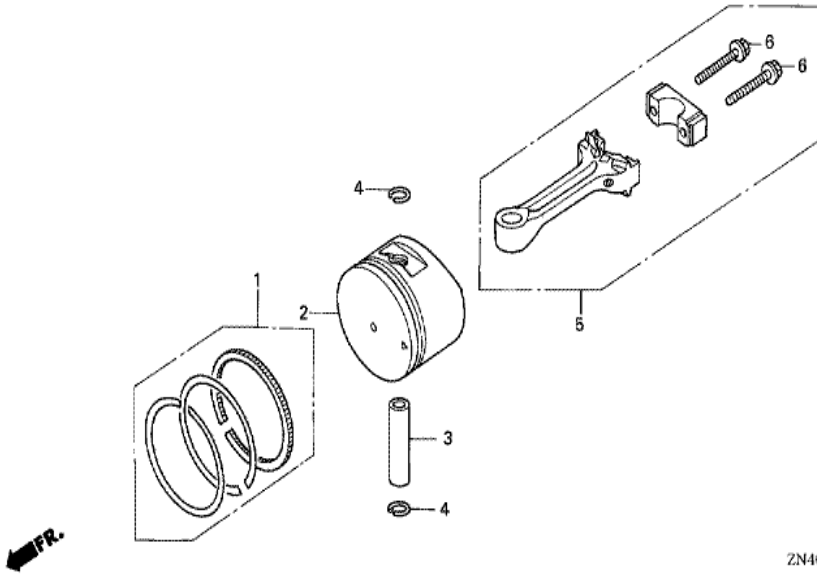
ZN40-EG000

Ref	Partnumber	Description	GXV50	Serial Numbers
001	11340-ZN4-020	COVER COMP., CRANKCASE SIDE	1	
002	16510-ZM7-000	GOVERNOR ASSY.	1	
003	16531-ZM7-000	SLIDER, GOVERNOR	1	
004	90006-ZM7-000	BOLT, FLANGE, 5X23	6	
005	90441-ZM7-000	WASHER, 4.2X13	2	
006	90471-580-000	PACKING, 8MM	1	
007	90602-ZM7-000	CLIP, GOVERNOR HOLDER	1	
008	91202-HC5-003	OIL SEAL, 17X27X5 (ARAI)	1	
009	94301-06100	DOWEL PIN, 6X10	2	
010	95701-0801208	BOLT, FLANGE, 8X12	1	



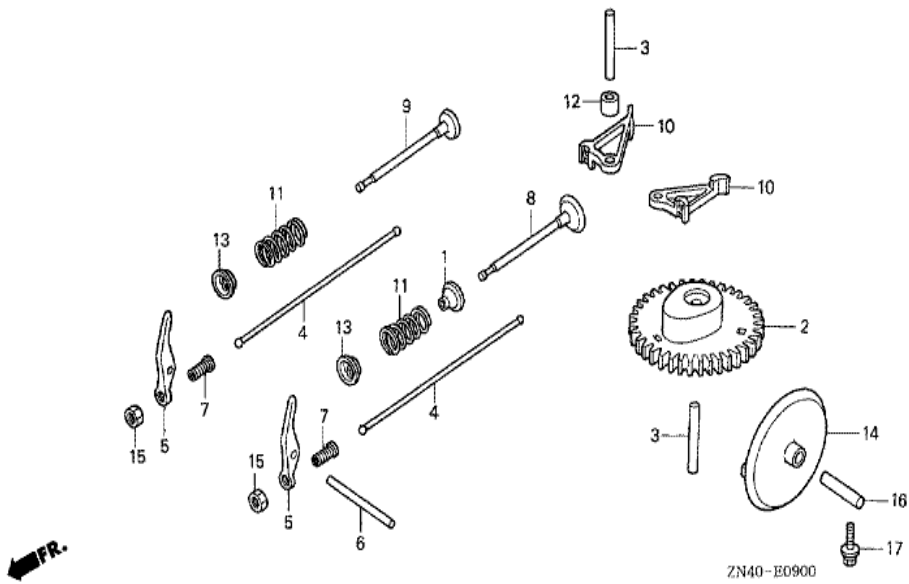
ZN40-E0700

Ref	Partnumber	Description	GXV50	Serial Numbers
001	13310-ZM7-000	CRANKSHAFT COMP.	1	
003	13331-ZM7-000	KEY, SPECIAL	1	
004	90741-959-000	KEY, 5MM	(1)	



ZN40-E0800

Ref	Partnumber	Description	GXV50	Serial Numbers
001	13010-ZM7-000	RING SET, PISTON (STD.)	1	
002	13101-ZM7-010	PISTON (STD.)	1	
003	13111-122-000	PIN, PISTON, 10X33	1	
004	13115-147-000	CLIP, PISTON PIN, 10MM	2	
005	13200-ZN4-000	ROD ASSY., CONNECTING	1	1331904
005	13200-ZN4-010	ROD ASSY., CONNECTING	1	1331905
006	90001-ZM7-000	BOLT, CONNECTING ROD	2	



ZN40-E0900

<u>Ref</u>	<u>Partnumber</u>	<u>Description</u>	<u>GXV50</u>	<u>Serial Numbers</u>
001	12209-ZM7-003	SEAL, VALVE STEM	1	
002	14100-ZM7-010	CAMSHAFT ASSY.	1	1005259
002	14100-ZM7-010	CAMSHAFT ASSY.	1	
003	14126-ZOG-003	ROLLER (5X29.8)	2	
003	14126-ZOG-003	ROLLER (5X29.8)	2	1030745
004	14410-ZM7-000	ROD, PUSH	2	
005	14431-ZM7-000	ARM, VALVE ROCKER	2	
006	14435-ZM7-003	ROLLER (4X37.8)	1	
007	14451-ZM7-000	PIVOT, ROCKER ARM	2	
008	14711-ZM7-000	VALVE, IN.	1	
009	14721-ZM7-000	VALVE, EX.	1	
010	14731-ZM7-013	LIFTER, VALVE	2	1006421
010	14731-ZM7-013	LIFTER, VALVE	2	
<u>Ref</u>	<u>Partnumber</u>	<u>Description</u>	<u>GXV50</u>	<u>Serial Numbers</u>
011	14751-ZM7-000	SPRING, VALVE	2	
012	14754-ZM7-000	COLLAR, LIFTER	1	
013	14771-ZM3-010	RETAINER, VALVE SPRING	2	1003435
013	14771-ZM3-010	RETAINER, VALVE SPRING	2	
014	15361-ZN4-000	SLINGER, OIL	1	
015	90206-KM3-000	NUT, TAPPET ADJUSTING	2	
016	91151-VB5-800	ROLLER, 6X25	1	
017	93404-0501608	BOLT-WASHER, 5X16	1	