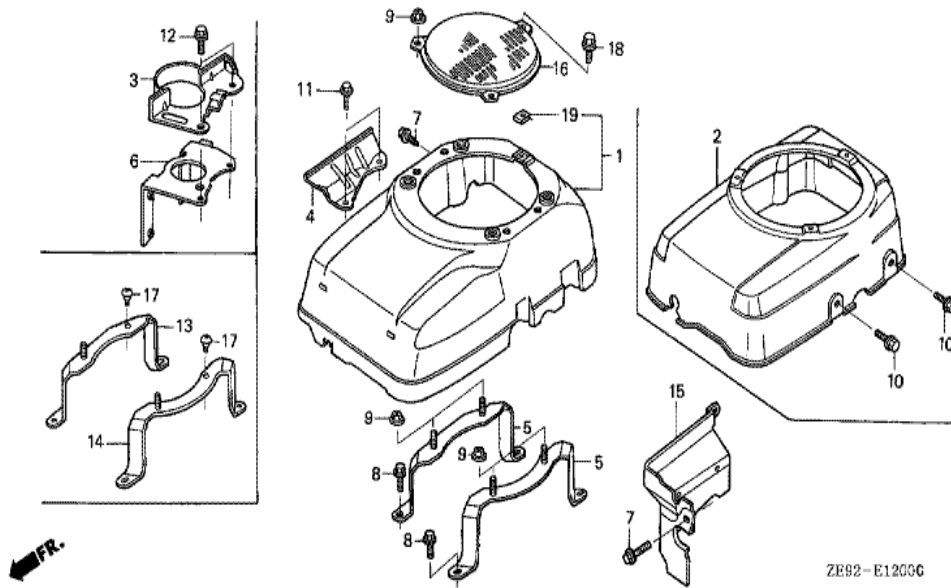
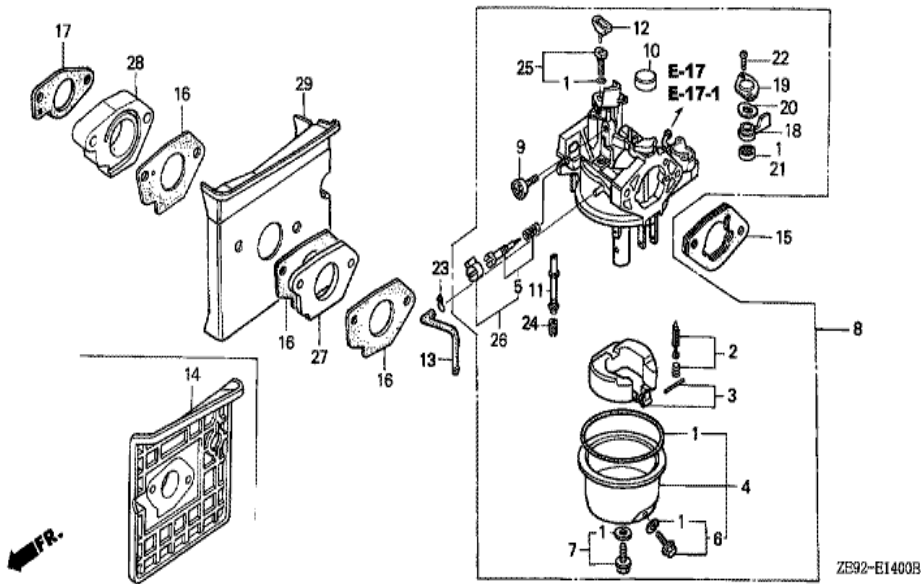


ZE92-II1100A

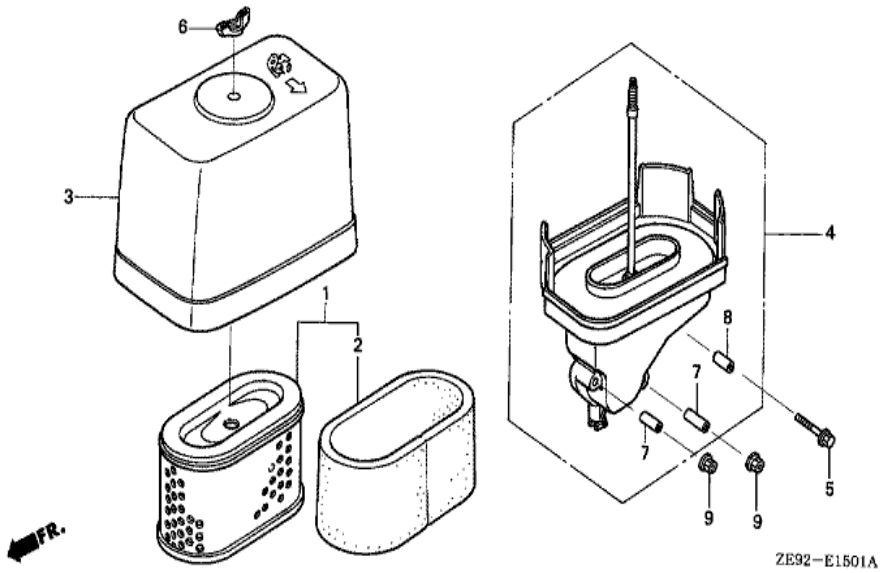
Ref	Partnumber	Description	GXV340K2	Serial Numbers
002	28400-ZE3-W01ZB	STARTER ASSY., RECOIL *NH1 *	1	
002	28400-ZE3-W01ZP	STARTER ASSY., RECOIL *R280 *	1	
004	28410-ZE3-W01ZB	CASE COMP., RECOIL STARTER *NH1 *	1	
004	28410-ZE3-W01ZP	CASE COMP., RECOIL STARTER *R280 *	1	
006	28421-ZE3-W01	PULLEY, RECOIL STARTER	1	
007	28422-ZE2-W01	RATCHET, STARTER	2	
008	28441-ZE2-W01	SPRING, FRICTION	1	
009	28442-ZE2-W01	SPRING, STARTER RETURN	1	
010	28443-ZE2-W01	SPRING, RATCHET	2	
011	28444-ZE2-W01	RETAINER, SPRING	1	
013	28461-ZE2-W01	GRIP, STARTER	1	6006487
013	28461-ZE2-W02	GRIP, STARTER	1	6046795
014	28462-ZE3-W01	ROPE, RECOIL STARTER	1	
Ref	Partnumber	Description	GXV340K2	Serial Numbers
015	28469-ZE2-W01	REINFORCEMENT, GRIP	1	6006487
016	90004-ZE2-W01	SCREW, CENTER	1	



Ref	Partnumber	Description	GXV340K2	Serial Numbers
001	19610-ZF5-V20ZA	COVER COMP., FAN *NH1 *	1	6028241
001	19610-ZF5-V20ZB	COVER COMP., FAN *R8 *	1	6028241
001	19610-ZF5-V21ZA	COVER COMP., FAN *NH1 *	1	6028242
001	19610-ZF5-V21ZC	COVER COMP., FAN *R280 *	1	6028242
004	19612-ZF5-010	PLATE, SIDE	1	
005	19617-ZF5-V00	BRACKET, FAN COVER	2	
008	90029-888-000	BOLT, FLANGE, 6X16 (CT200)	4	
009	94050-06000	NUT, FLANGE, 6MM	2	
011	95701-0802008	BOLT, FLANGE, 8X20	2	

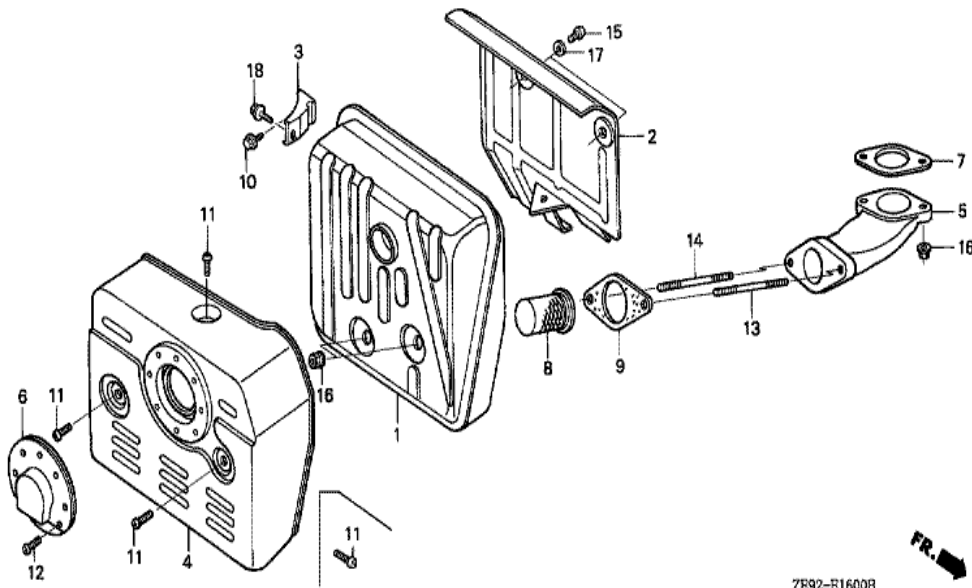


<u>Ref</u>	<u>Partnumber</u>	<u>Description</u>	<u>GXV340K2</u>	<u>Serial Numbers</u>
001	16010-ZE2-015	GASKET SET	1	
002	16011-ZA0-931	VALVE SET, FLOAT	1	
003	16013-ZA0-931	FLOAT SET	1	
004	16015-ZE8-005	CHAMBER SET, FLOAT	1	
006	16024-ZE1-811	SCREW SET, DRAIN	1	
007	16028-ZE0-005	SCREW SET	1	
008	16100-ZE9-W02	CARBURETOR ASSY. (BE81A C)	1	
009	16124-ZE0-005	SCREW, THROTTLE STOP	1	
010	16148-141-881	CAP, CHOKE DUST	1	
011	16166-ZE9-W01	NOZZLE, MAIN	1	
012	16172-ZE3-W10	COLLAR, SETTING	1	
013	16199-ZE8-000	TUBE, AIR VENT (75MM)	1	
014	16211-ZE9-601	INSULATOR, CARBURETOR	1	
<u>Ref</u>	<u>Partnumber</u>	<u>Description</u>	<u>GXV340K2</u>	<u>Serial Numbers</u>
015	16220-ZA0-702	SPACER COMP., CARBURETOR	1	
016	16221-ZE3-800	PACKING, CARBURETOR	1	
017	16223-ZE9-800	PACKING, INSULATOR	1	
018	16953-ZE1-712	LEVER, COCK	1	
019	16954-ZE1-812	PLATE, LEVER SETTING	1	
020	16956-ZE1-811	SPRING, COCK LEVER	1	
021	16957-ZE1-812	PACKING, FUEL COCK	1	
022	93500-030061H	SCREW, PAN, 3X6	2	
023	95002-02080	CLIP, TUBE (B8)	1	
024	99101-ZH80880	JET, MAIN, #88	(1)	
024	99101-ZH80900	JET, MAIN, #90	(1)	
024	99101-ZH80920	JET, MAIN, #92	1	
025	99204-ZE00380	JET SET, PILOT, #38	1	
026	16016-ZH7-W01	SCREW SET, PILOT	1	



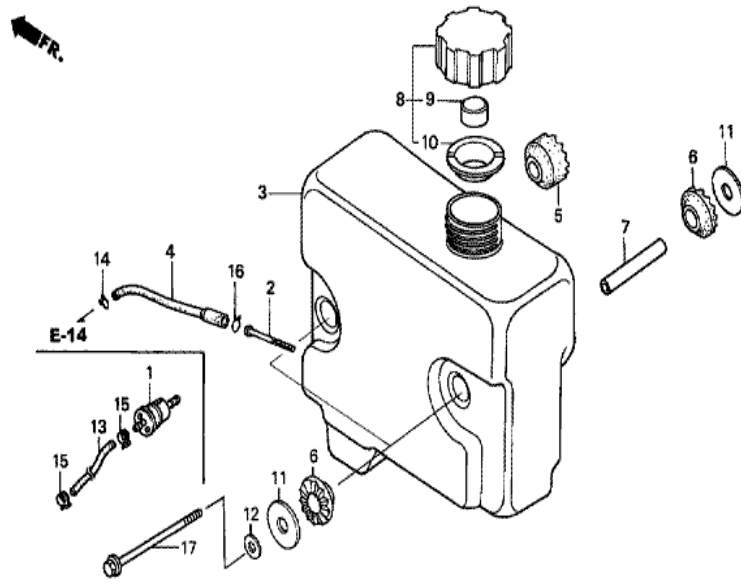
ZE92-E1501A

Ref	Partnumber	Description	GXV340K2	Serial Numbers
001	17211-ZF5-V01	ELEMENT, AIR CLEANER	1	
002	17218-ZF5-V00	FILTER, OUTER	1	
003	17231-ZF5-V00	COVER, AIR CLEANER	1	
004	17410-ZF5-V00	ELBOW COMP., AIR CLEANER	1	
005	90014-ZE6-000	BOLT, FLANGE, 6X35 (CT200)	1	
006	90325-044-000	NUT, TOOL BOX SETTING	1	
007	91502-ZF5-V00	COLLAR, AIR CLEANER	2	
008	91503-ZF5-V00	COLLAR, AIR CLEANER	1	
009	94050-06000	NUT, FLANGE, 6MM	2	



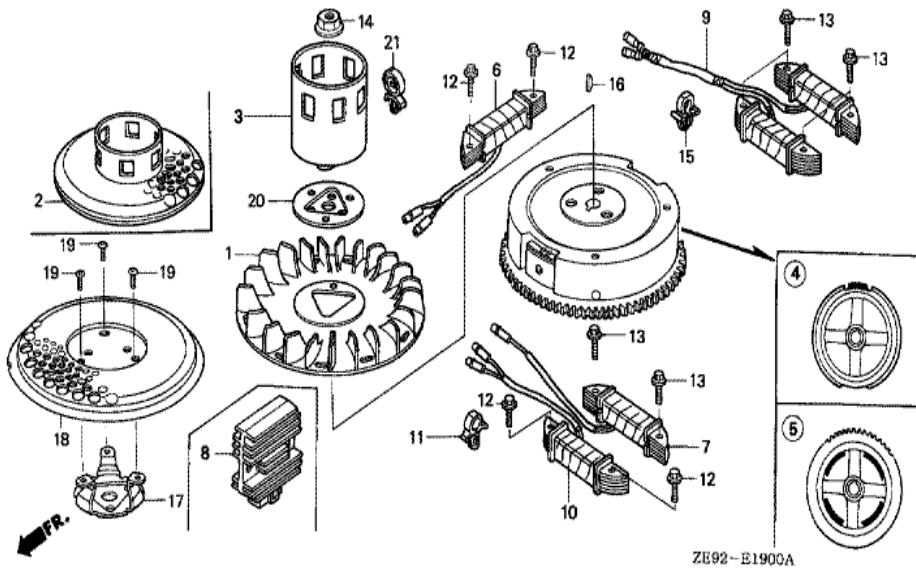
ZB92-E1600B

<u>Ref</u>	<u>Partnumber</u>	<u>Description</u>	<u>GXV340K2</u>	<u>Serial Numbers</u>
001	18310-ZE9-003	MUFFLER COMP.	1	
002	18316-ZF5-V00	SEPARATOR, MUFFLER	1	
003	18318-ZE8-000	STAY COMP., MUFFLER	1	
004	18321-ZF5-000	PROTECTOR, MUFFLER	1	
005	18331-ZF5-000	PIPE, EX.	1	
007	18333-ZE3-800	GASKET, EX. PIPE	1	
009	18382-ZE9-800	GASKET, EX. PIPE	1	
010	90031-883-000	BOLT, FLANGE, 8X16	1	
011	90050-ZE1-000	SCREW, TAPPING, 5X8	3	
013	92900-080601B	BOLT, STUD, 8X60	1	
014	92900-080701B	BOLT, STUD, 8X70	1	
015	93500-060060A	SCREW, PAN, 6X6	3	
016	94050-08000	NUT, FLANGE, 8MM	2	
<u>Ref</u>	<u>Partnumber</u>	<u>Description</u>	<u>GXV340K2</u>	<u>Serial Numbers</u>
017	94101-06000	WASHER, PLAIN, 6MM	3	
018	95701-0801400	BOLT, FLANGE, 8X14	1	



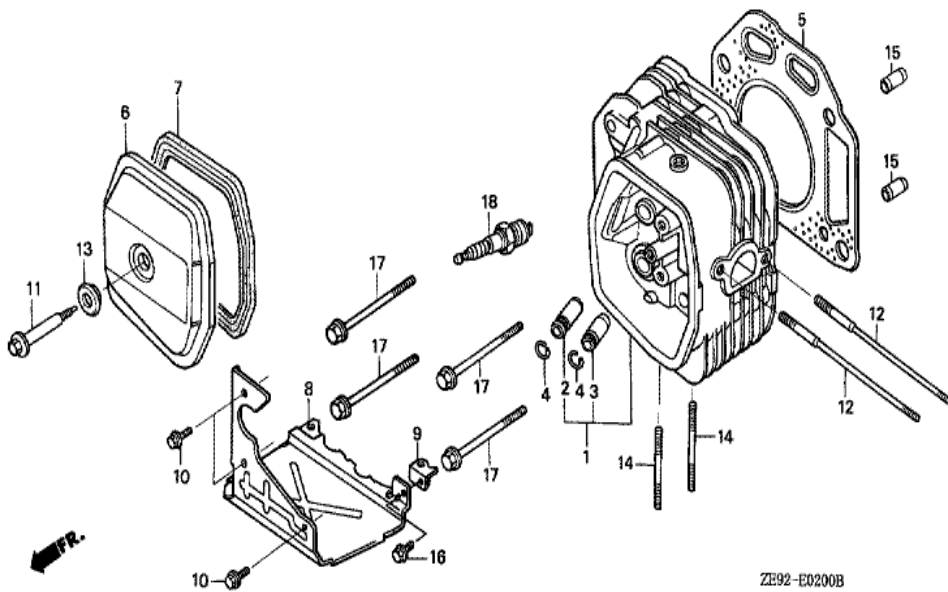
ZE92-E1700A

<u>Ref</u>	<u>Partnumber</u>	<u>Description</u>	<u>GXV340K2</u>	<u>Serial Numbers</u>
002	16952-ZE6-000	STRAINER, FUEL	1	
003	17510-ZE9-000	TANK, FUEL	1	
004	17512-ZE9-000	TUBE, FUEL	1	
005	17516-ZE8-000	RUBBER B, TANK MOUNTING	1	
006	17516-896-700	RUBBER B, TANK MOUNTING	3	
007	17518-ZE8-000	COLLAR, TANK SETTING	2	
008	17620-ZE7-000	CAP ASSY., FUEL TANK	1	
009	17622-888-010	SPONGE, FUEL CAP BREATHER	1	
010	17624-ZE7-000	PACKING, FUEL CAP	1	
011	90455-896-700	WASHER, TANK MOUNTING	4	
012	90471-SB0-000	WASHER, PLAIN, 8MM	2	
014	95002-02080	CLIP, TUBE (B8)	1	
016	95002-70000	CLIP, TUBE (C11)	1	
<u>Ref</u>	<u>Partnumber</u>	<u>Description</u>	<u>GXV340K2</u>	<u>Serial Numbers</u>
017	95701-0809500	BOLT, FLANGE, 8X95	2	



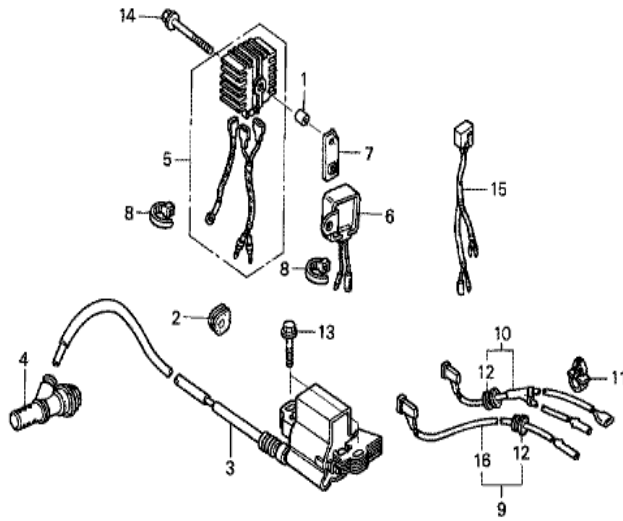
ZE92-E1900A

Ref	Partnumber	Description	GXV340K2	Serial Numbers
001	19511-ZE9-010	FAN, COOLING	1	
002	28450-ZE9-004	PULLEY COMP., STARTER (SCREEN GRID)	1	
004	31100-ZE9-020	FLYWHEEL COMP.	1	
011	46391-VM0-003	CLIP, BRAKE PIPE (A)	1	
014	90201-ZE3-V00	NUT, SPECIAL, 16MM	1	
016	90741-ZE2-000	KEY, SPECIAL WOODRUFF, 25X18	1	



ZE92-E0200B

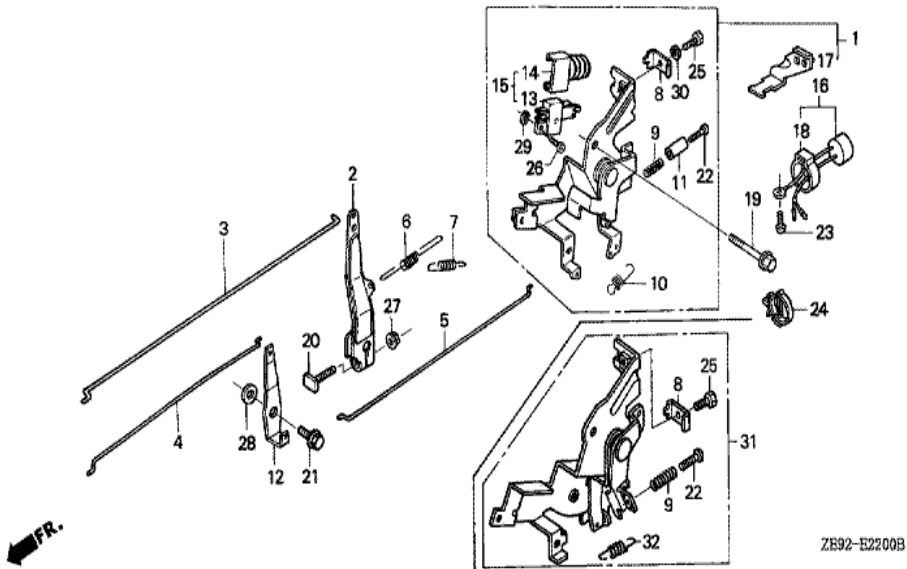
<u>Ref</u>	<u>Partnumber</u>	<u>Description</u>	<u>GXV340K2</u>	<u>Serial Numbers</u>
001	12200-ZE9-405	HEAD COMP., CYLINDER	1	
002	12204-ZE2-306	GUIDE, IN. VALVE (O.S.)	(1)	
003	12205-ZE2-305	GUIDE, EX. VALVE (OS)	(1)	
004	12216-ZE2-300	CLIP, VALVE GUIDE	2	
005	12251-ZE9-600	GASKET, CYLINDER HEAD	1	
006	12310-ZE8-000	COVER, HEAD	1	
007	12391-ZE8-000	PACKING, HEAD COVER	1	
008	18345-ZF5-020	COVER, UNDER	1	
009	18347-ZE8-000	STAY COMP., UNDER COVER	1	
010	90013-883-000	BOLT, FLANGE, 6X12 (CT200)	3	
011	90014-ZE8-000	BOLT, HEAD COVER	1	
012	90042-ZE8-000	BOLT, STUD, 8X131.5	2	
013	90441-ZE2-010	WASHER COMP., HEAD COVER	1	
<u>Ref</u>	<u>Partnumber</u>	<u>Description</u>	<u>GXV340K2</u>	<u>Serial Numbers</u>
014	92900-080320B	BOLT, STUD, 8X32	2	
015	94301-12200	DOWEL PIN, 12X20	2	
016	95701-0601200	BOLT, FLANGE, 6X12	1	
017	95701-1008000	BOLT, FLANGE, 10X80	4	
018	98079-55846	PLUG, SPARK (BPR5ES) (NGK)	1	



ZE92-E2000C

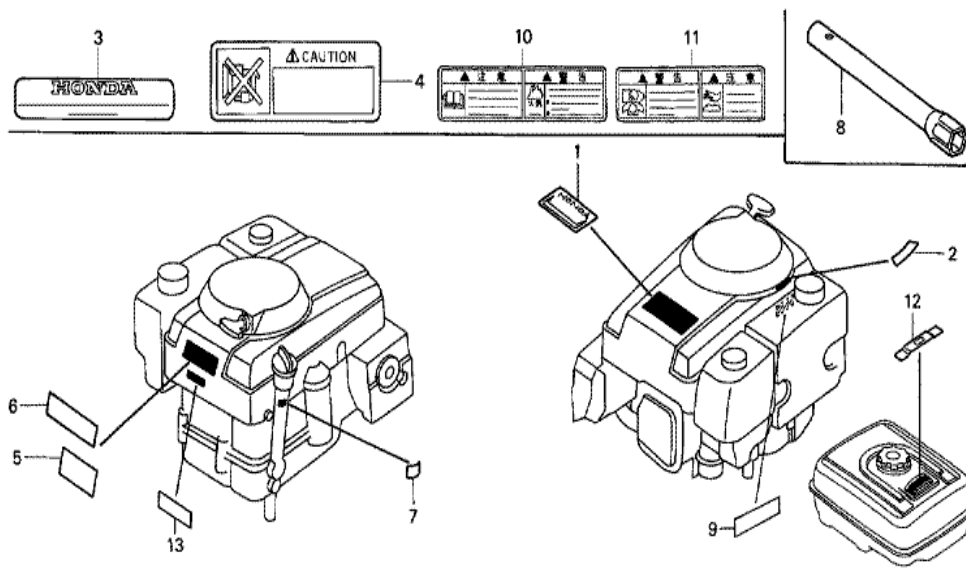
FR.

Ref	Partnumber	Description	GXV340K2	Serial Numbers
003	30500-ZE9-L32	COIL ASSY., IGNITION	1	
004	30700-ZF5-013	CAP ASSY., NOISE SUPPRESSOR	1	
010	36101-ZE8-810	CORD, STOP SWITCH	1	
012	80101-166-000	GROMMET, WIRE CORD	1	
013	90015-883-000	BOLT, FLANGE, 6X28 (CT200)	2	



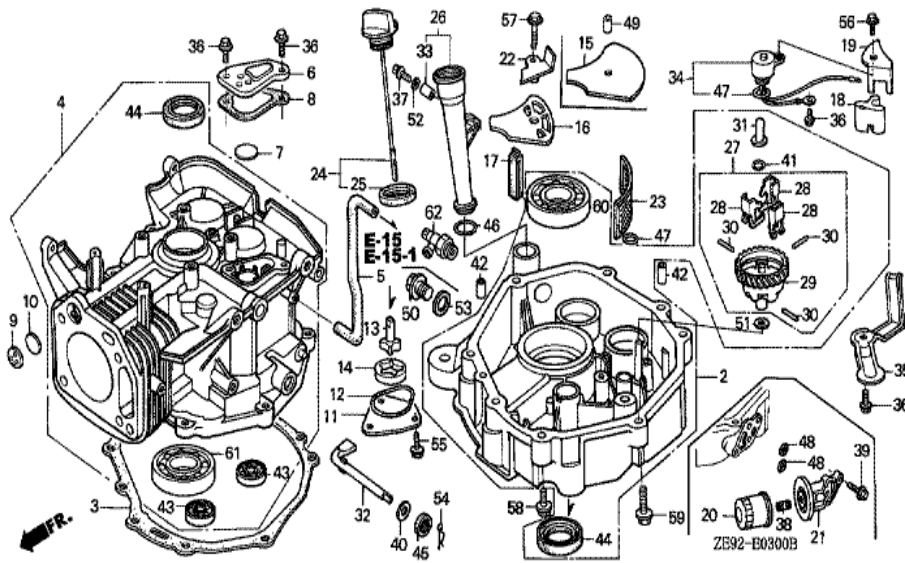
ZE92-E2200B

<u>Ref</u>	<u>Partnumber</u>	<u>Description</u>	<u>GXV340K2</u>	<u>Serial Numbers</u>
001	16500-ZF5-821	CONTROL ASSY.	1	6025008
002	16551-ZF5-000	ARM, GOVERNOR	1	6025008
003	16555-ZE9-000	ROD, GOVERNOR	1	6025008
004	16556-ZE9-000	ROD, CHOKE	1	6025008
005	16557-ZE8-810	ROD, JOINT	1	
006	16561-ZF5-000	SPRING, GOVERNOR	1	6025008
007	16563-ZE8-000	SPRING, GOVERNOR PRIMARY	1	6025008
008	16576-891-000	HOLDER, CABLE	1	
009	16584-883-300	SPRING, CONTROL ADJUSTING	1	6025008
010	16592-732-700	SPRING, CABLE RETURN	1	6025008
011	16599-ZG1-M10	COLLAR, STOPPER	1	6025008
012	16619-ZF5-000	LEVER, CHOKE JOINT	1	
013	35330-ZG1-751	SWITCH ASSY., ENGINE	1	6025008
<u>Ref</u>	<u>Partnumber</u>	<u>Description</u>	<u>GXV340K2</u>	<u>Serial Numbers</u>
014	35336-750-003	COVER, SWITCH	1	6025008
015	36100-ZE8-003	SWITCH ASSY., ENGINE STOP	1	
019	90013-883-000	BOLT, FLANGE, 6X12 (CT200)	1	6025008
020	90015-ZE5-010	BOLT, GOVERNOR ARM	1	6025008
021	90015-ZE8-000	BOLT, FLANGE, 6MM	1	6025008
022	90016-ZF5-W40	SCREW, RECESSED, 5X20	1	6025008
025	92301-050141A	BOLT, RECESSED, 5X14	1	
026	93500-040140A	SCREW, PAN, 4X14	1	6025008
027	94050-06000	NUT, FLANGE, 6MM	1	6025008
028	94101-06800	WASHER, PLAIN, 6MM	1	
029	94111-04000	WASHER, SPRING, 4MM	1	6025008



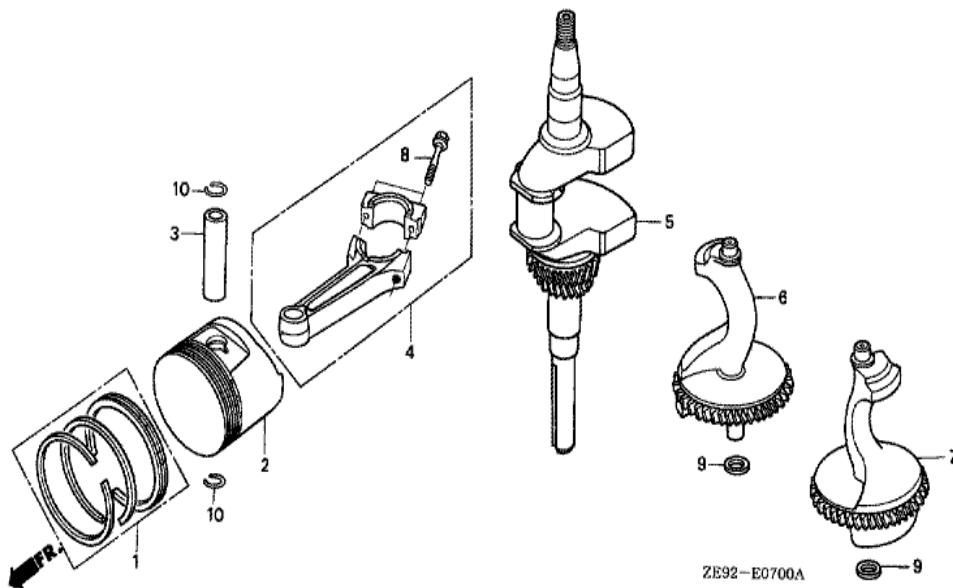
ZE92-E2800B

Ref	Partnumber	Description	GXV340K2	Serial Numbers
001	87101-ZE9-V01	EMBLEM, TOP COVER (11.0)	1	
005	87516-ZG0-B50	MARK, OPERATOR CAUTION	1	
007	87601-ZF5-860	MARK, TYPE (DNG4)	1	
013	87135-ZE2-020	LABEL, E-SPEC (15.5X27.5)	1	

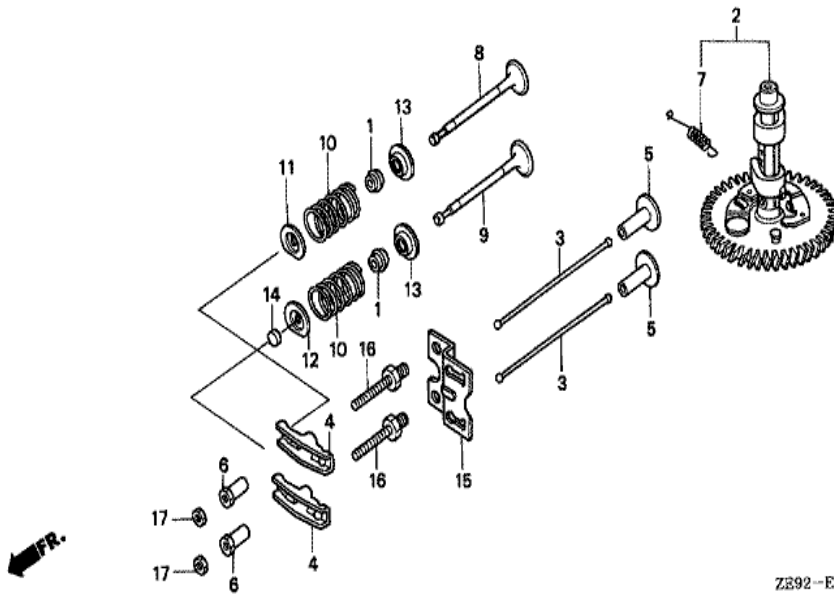


Ref	Partnumber	Description	GXV340K2	Serial Numbers
002	11300-ZF5-407	PAN ASSY., OIL	1	
003	11381-ZE9-801	PACKING, OIL PAN	1	
004	12000-ZE9-405	BARREL ASSY., CYLINDER	1	
005	12315-ZF5-000	TUBE, BREATHER	1	
006	12370-ZF5-000	CAP, BREATHER CHAMBER	1	
007	12372-ZE2-300	VALVE, BREATHER	1	
008	12373-ZE8-000	PACKING, BREATHER CAP	1	
011	15130-ZE8-000	COVER, OIL PUMP	1	
012	15131-ZE9-003	O-RING, PUMP COVER	1	
013	15330-ZE8-000	ROTOR COMP., INNER	1	
014	15332-891-003	ROTOR, OIL PUMP OUTER	1	
015	15334-ZE8-010	PLATE, OIL FILTER	1	
017	15335-ZE9-000	RUBBER, OIL RETURN	1	

<u>Ref</u>	<u>Partnumber</u>	<u>Description</u>	<u>GXV340K2</u>	<u>Serial Numbers</u>
023	15421-ZE9-003	SCREEN, OIL FILTER	1	
024	15600-ZF5-000	CAP ASSY., OIL FILLER	1	
025	15625-ZE8-000	PACKING, OIL FILLER CAP	1	
026	15630-ZE8-000	EXTENSION, OIL FILLER	1	
027	16510-ZE3-000	GOVERNOR ASSY.	1	
028	16511-ZE8-000	WEIGHT, GOVERNOR	3	
029	16512-ZE3-000	HOLDER, GOVERNOR WEIGHT	1	
030	16513-ZE2-000	PIN, GOVERNOR WEIGHT	3	
031	16531-Z0A-000	SLIDER, GOVERNOR	1	
032	16541-ZE8-010	SHAFT, GOVERNOR ARM	1	
033	17240-ZE6-000	COLLAR, EXTENSION	1	
036	90013-883-000	BOLT, FLANGE, 6X12 (CT200)	2	
037	90014-ZE6-000	BOLT, FLANGE, 6X35 (CT200)	1	
040	90406-VM6-000	WASHER, THRUST, 8.1MM	1	
041	90602-ZE1-000	CLIP, GOVERNOR HOLDER	1	
042	90701-HC4-000	DOWEL PIN, 8X12	2	
043	91001-ZF5-003	BEARING, RADIAL BALL, 6202	2	
044	91201-ZE3-004	OIL SEAL, 35X52X8	2	
045	91203-952-771	OIL SEAL, 8X14X5	1	
046	91301-ZE9-003	O-RING, 22.1X2.2	1	
047	91302-ZE9-003	O-RING, 11.8X2.4	1	
049	91501-ZF5-000	COLLAR, OIL FILTER SETTING	1	
050	92800-20000	BOLT, DRAIN PLUG, 20MM	1	
051	94101-06800	WASHER, PLAIN, 6MM	1	
052	94103-06700	WASHER, PLAIN, 6MM	1	6028241
053	94109-20000	WASHER, DRAIN PLUG, 20MM	1	
054	94251-10000	PIN, LOCK, 10MM	1	
055	95701-0601200	BOLT, FLANGE, 6X12	3	
057	95701-0602500	BOLT, FLANGE, 6X25	1	
058	95701-0804008	BOLT, FLANGE, 8X40	6	
059	95701-0806008	BOLT, FLANGE, 8X60	1	
060	96100-6207300	BEARING, RADIAL BALL, 6207	1	
061	96100-6207300	BEARING, RADIAL BALL, 6207	1	



<u>Ref</u>	<u>Partnumber</u>	<u>Description</u>	<u>GXV340K2</u>	<u>Serial Numbers</u>
001	13010-ZE3-003	RING SET, PISTON (STD.) (NIPPON)	1	
001	13010-ZE3-005	RING SET, PISTON (STD.) (TEIKOKU)	1	
001	13011-ZE3-003	RING SET, PISTON (0.25) (NIPPON)	(1)	
001	13011-ZE3-005	RING SET, PISTON (0.25) (TEIKOKU)	(1)	
001	13012-ZE3-003	RING SET, PISTON (0.50) (NIPPON)	(1)	
001	13012-ZE3-005	RING SET, PISTON (0.50) (TEIKOKU)	(1)	
001	13013-ZE3-003	RING SET, PISTON (0.75) (NIPPON)	(1)	
001	13013-ZE3-005	RING SET, PISTON (0.75) (TEIKOKU)	(1)	
002	13101-ZE3-W00	PISTON (STD.)	1	
002	13102-ZE3-W00	PISTON (0.25)	(1)	
002	13103-ZE3-W00	PISTON (0.50)	(1)	
002	13104-ZE3-W00	PISTON (0.75)	(1)	
003	13111-ZE3-000	PIN, PISTON	1	
<u>Ref</u>	<u>Partnumber</u>	<u>Description</u>	<u>GXV340K2</u>	<u>Serial Numbers</u>
004	13200-ZE9-020	ROD ASSY., CONNECTING	1	
004	13200-ZE9-315	ROD ASSY., CONNECTING (0.25 UNDER SIZE)	(1)	
005	13310-ZF5-030	CRANKSHAFT COMP.	1	
006	13351-ZE9-603	WEIGHT A, BALANCER	1	
007	13356-ZE9-604	WEIGHT B, BALANCER	1	
008	90001-ZE8-000	BOLT, CONNECTING ROD	2	
009	90417-HA0-000	WASHER, THRUST, 15MM	2	
010	90601-ZE3-000	CLIP, PISTON PIN, 20MM	2	



ZB92-E0900

<u>Ref</u>	<u>Partnumber</u>	<u>Description</u>	<u>GXV340K2</u>	<u>Serial Numbers</u>
001	12209-ZE8-003	SEAL, VALVE STEM	2	
002	14100-ZE8-602	CAMSHAFT ASSY.	1	
003	14410-ZE3-013	ROD, PUSH	2	
004	14431-ZE2-010	ARM, VALVE ROCKER	2	
005	14441-ZE2-000	LIFTER, VALVE	2	
006	14451-ZE1-013	PIVOT, ROCKER ARM	2	
007	14568-ZE1-000	SPRING, WEIGHT RETURN	1	
008	14711-ZE3-000	VALVE, IN.	1	
009	14721-ZE3-000	VALVE, EX.	1	
010	14751-ZE2-003	SPRING, VALVE	2	
011	14771-ZE2-000	RETAINER, IN. VALVE SPRING	1	
012	14773-ZE2-000	RETAINER, EX. VALVE SPRING	1	
013	14775-ZE2-010	SEAT, VALVE SPRING	2	
<u>Ref</u>	<u>Partnumber</u>	<u>Description</u>	<u>GXV340K2</u>	<u>Serial Numbers</u>
014	14781-ZE2-000	ROTATOR, VALVE	1	
015	14791-ZE9-010	GUIDE, PUSH ROD	1	2104727
016	90012-ZE0-010	BOLT, PIVOT, 8MM	2	
017	90206-ZE1-000	NUT, PIVOT ADJUSTING	2	



HENG-X0003

<u>Ref</u>	<u>Partnumber</u>	<u>Description</u>	<u>GXV340K2</u>	<u>Serial Numbers</u>
001	06111-ZE9-V01	GASKET KIT	1	