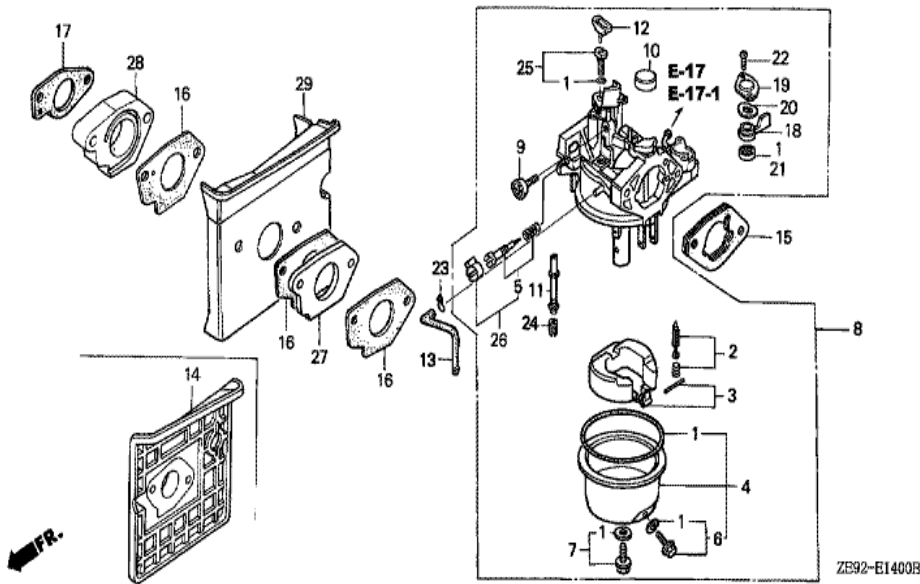
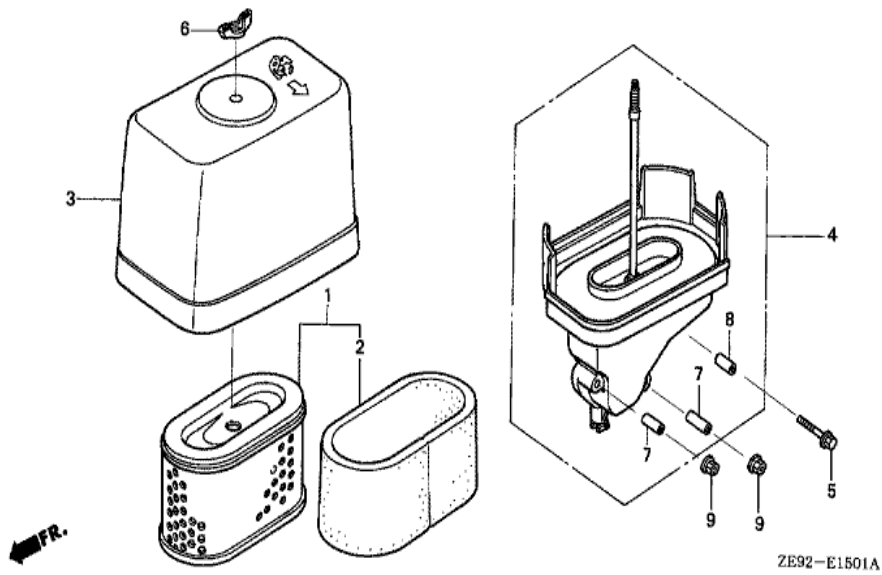


ZE92-E1200G

| Ref | Partnumber | Description | GXV340K2 | Serial Numbers |
|-----|-----------------|----------------------------|----------|----------------|
| 001 | 19610-ZE9-V01ZC | COVER COMP., FAN *R280* | 1 | |
| 007 | 90013-883-000 | BOLT, FLANGE, 6X12 (CT200) | 1 | |
| 008 | 90029-888-000 | BOLT, FLANGE, 6X16 (CT200) | 4 | |
| 009 | 94050-06000 | NUT, FLANGE, 6MM | 2 | |
| 013 | 19617-ZE9-V00 | BRACKET, R. FAN COVER | 1 | |
| 014 | 19627-ZE9-V00 | BRACKET, L. FAN COVER | 1 | |
| 015 | 19631-ZE9-V00 | SHROUD | 1 | |
| 016 | 28456-ZF5-V00ZA | COVER, SCREEN GRID *NH1* | 1 | |
| 017 | 90006-ZF5-V00 | SCREW, SPECIAL, 6X8 | 2 | |
| 018 | 95701-0601000 | BOLT, FLANGE, 6X10 | 1 | |

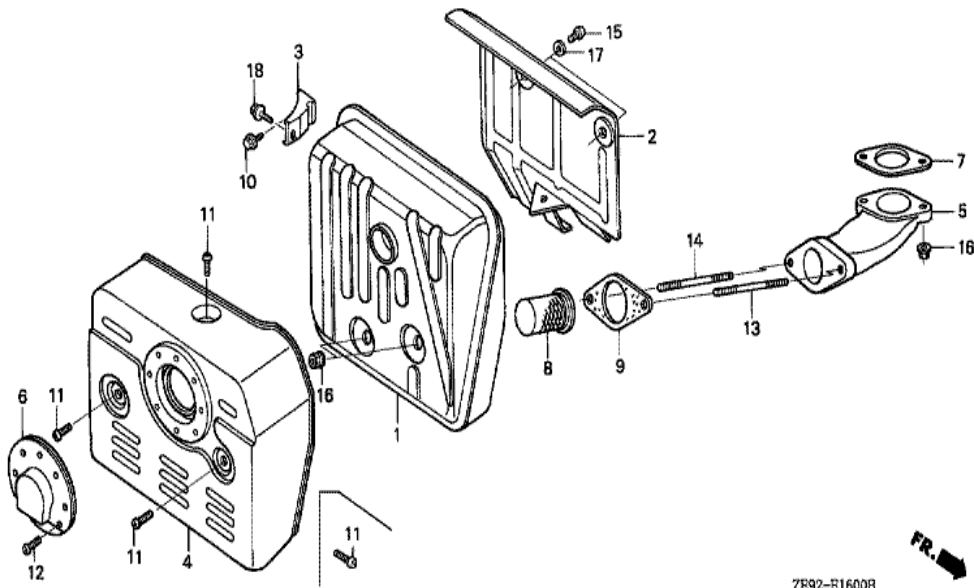


| Ref | Partnumber | Description | GXV340K2 | Serial Numbers |
|-----|---------------|---------------------------------------|----------|----------------|
| 001 | 16010-ZE2-015 | GASKET SET | 1 | |
| 002 | 16011-ZA0-931 | VALVE SET, FLOAT | 1 | |
| 003 | 16013-ZA0-931 | FLOAT SET | 1 | |
| 004 | 16015-ZE8-005 | CHAMBER SET, FLOAT | 1 | |
| 005 | 16016-ZE0-005 | SCREW SET, PILOT | 1 | |
| 006 | 16024-ZE1-811 | SCREW SET, DRAIN | 1 | |
| 007 | 16028-ZE0-005 | SCREW SET | 1 | |
| 008 | 16100-ZE9-V32 | CARBURETOR ASSY. (BE81C B) | 1 | |
| 009 | 16124-ZE0-005 | SCREW, THROTTLE STOP | 1 | |
| 010 | 16148-141-881 | CAP, CHOKE DUST | 1 | |
| 011 | 16166-ZE9-W00 | NOZZLE, MAIN | 1 | |
| 012 | 16172-ZE3-W10 | COLLAR, SETTING | 1 | |
| 013 | 95001-4518040 | TUBE, FUEL, 4.5X180 (95001-45001-60M) | 1 | |
| Ref | Partnumber | Description | GXV340K2 | Serial Numbers |
| 015 | 16220-ZA0-702 | SPACER COMP., CARBURETOR | 1 | |
| 016 | 16221-ZE3-800 | PACKING, CARBURETOR | 1 | |
| 017 | 16223-ZE9-800 | PACKING, INSULATOR | 1 | |
| 018 | 16953-ZE1-712 | LEVER, COCK | 1 | |
| 019 | 16954-ZE1-812 | PLATE, LEVER SETTING | 1 | |
| 020 | 16956-ZE1-811 | SPRING, COCK LEVER | 1 | |
| 021 | 16957-ZE1-812 | PACKING, FUEL COCK | 1 | |
| 022 | 93500-030061H | SCREW, PAN, 3X6 | 2 | |
| 023 | 95002-02080 | CLIP, TUBE (B8) | 1 | |
| 024 | 99101-ZH80850 | JET, MAIN, #85 | (1) | |
| 024 | 99101-ZH80880 | JET, MAIN, #88 | (1) | |
| 024 | 99101-ZH80900 | JET, MAIN, #90 | 1 | |
| 025 | 99204-ZE00380 | JET SET, PILOT, #38 | 1 | |
| 027 | 16211-ZE9-L00 | INSULATOR, CARBURETOR | 1 | |
| 028 | 16211-ZE9-010 | INSULATOR, CARBURETOR | 1 | |
| 029 | 19625-ZE9-L00 | GUIDE, AIR | 1 | |



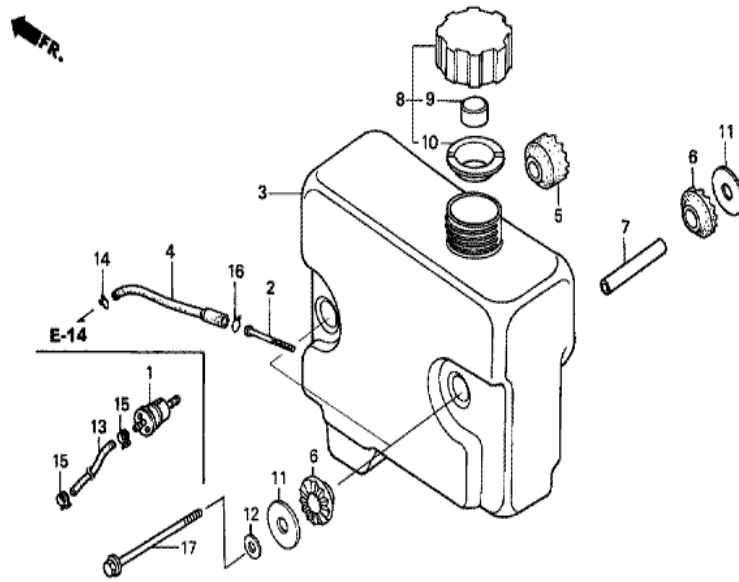
ZE92-E1501A

| Ref | Partnumber | Description | GXV340K2 | Serial Numbers |
|-----|---------------|----------------------------|----------|----------------|
| 001 | 17211-ZF5-V01 | ELEMENT, AIR CLEANER | 1 | |
| 002 | 17218-ZF5-V00 | FILTER, OUTER | 1 | |
| 003 | 17231-ZF5-V00 | COVER, AIR CLEANER | 1 | |
| 004 | 17410-ZF5-V00 | ELBOW COMP., AIR CLEANER | 1 | |
| 005 | 90014-ZE6-000 | BOLT, FLANGE, 6X35 (CT200) | 1 | |
| 006 | 90325-044-000 | NUT, TOOL BOX SETTING | 1 | |
| 007 | 91502-ZF5-V00 | COLLAR, AIR CLEANER | 2 | |
| 008 | 91503-ZF5-V00 | COLLAR, AIR CLEANER | 1 | |
| 009 | 94050-06000 | NUT, FLANGE, 6MM | 2 | |



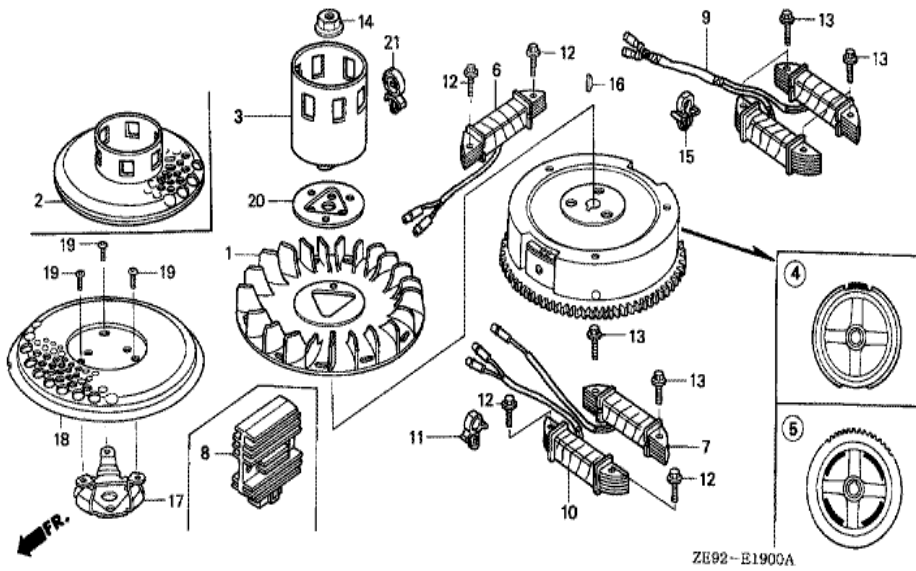
ZB92-E1600B

| Ref | Partnumber | Description | GXV340K2 | Serial Numbers |
|-----|---------------|------------------|----------|----------------|
| 005 | 18331-ZF5-000 | PIPE, EX. | 1 | |
| 007 | 18333-ZE3-800 | GASKET, EX. PIPE | 1 | |
| 009 | 18382-ZE9-800 | GASKET, EX. PIPE | 1 | |
| 016 | 94050-08000 | NUT, FLANGE, 8MM | 2 | |

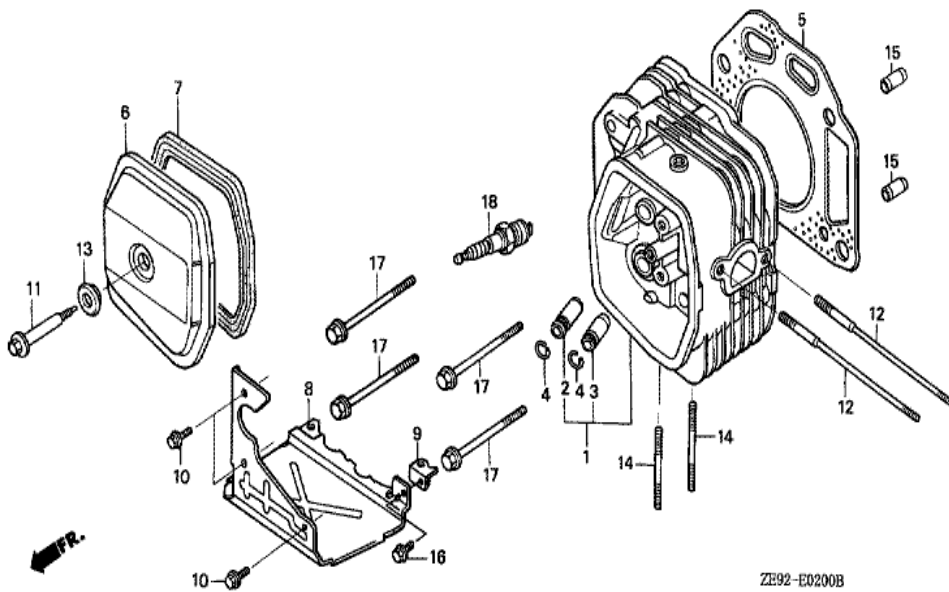


ZE92-E1700A

| Ref | Partnumber | Description | GXV340K2 | Serial Numbers |
|-----|---------------|--------------------------------------|----------|----------------|
| 001 | 16910-ZE8-015 | STRAINER COMP., FUEL | 1 | |
| 013 | 95001-4536020 | HOSE, FUEL, 4.5X360(95001-45001-50M) | 1 | |
| 015 | 95002-4085008 | CLAMP, TUBE (D8.5) | 2 | |

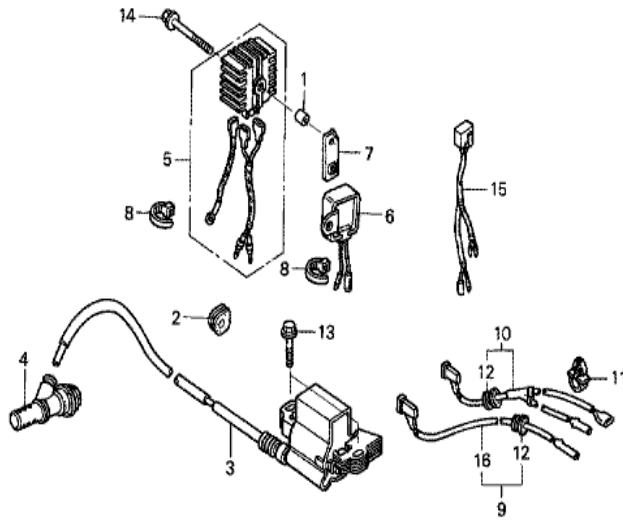


| Ref | Partnumber | Description | GXV340K2 | Serial Numbers |
|-----|---------------|------------------------------|----------|----------------|
| 001 | 19511-ZE9-010 | FAN, COOLING | 1 | |
| 005 | 31110-ZF5-L32 | FLYWHEEL COMP. (SEL-4POLE) | 1 | |
| 010 | 31630-ZF5-003 | COIL ASSY., CHARGE | 1 | |
| 011 | 46391-VM0-003 | CLIP, BRAKE PIPE (A) | 1 | |
| 012 | 90015-883-000 | BOLT, FLANGE, 6X28 (CT200) | 2 | |
| 014 | 90201-ZE3-V00 | NUT, SPECIAL, 16MM | 1 | |
| 015 | 90682-735-A01 | CLIP, WIRE HARNESS | 1 | 6028241 |
| 016 | 90741-ZE2-000 | KEY, SPECIAL WOODRUFF, 25X18 | 1 | |
| 020 | 19512-ZE2-000 | PLATE, COOLING FAN SETTING | 1 | |



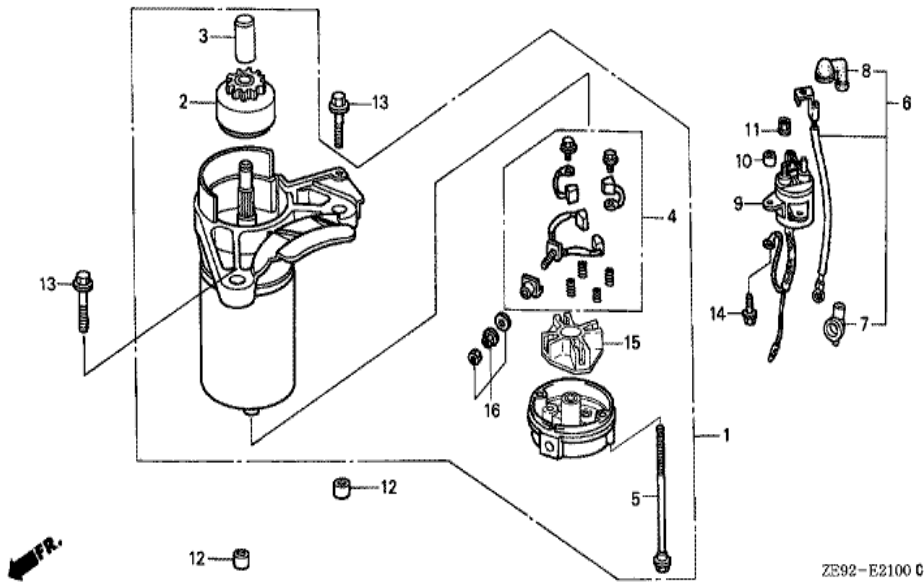
ZE92-E0200B

| <u>Ref</u> | <u>Partnumber</u> | <u>Description</u> | <u>GXV340K2</u> | <u>Serial Numbers</u> |
|------------|-------------------|----------------------------|-----------------|-----------------------|
| 001 | 12200-ZE9-405 | HEAD COMP., CYLINDER | 1 | |
| 002 | 12204-ZE2-306 | GUIDE, IN. VALVE (O.S.) | (1) | |
| 003 | 12205-ZE2-305 | GUIDE, EX. VALVE (OS) | (1) | |
| 004 | 12216-ZE2-300 | CLIP, VALVE GUIDE | 2 | |
| 005 | 12251-ZE9-600 | GASKET, CYLINDER HEAD | 1 | |
| 006 | 12310-ZE8-000 | COVER, HEAD | 1 | |
| 007 | 12391-ZE8-000 | PACKING, HEAD COVER | 1 | |
| 011 | 90014-ZE8-000 | BOLT, HEAD COVER | 1 | |
| 012 | 90042-ZE8-700 | BOLT, STUD, 8X138.5 | 2 | |
| 013 | 90441-ZE2-010 | WASHER COMP., HEAD COVER | 1 | |
| 014 | 92900-080320B | BOLT, STUD, 8X32 | 2 | |
| 015 | 94301-12200 | DOWEL PIN, 12X20 | 2 | |
| 017 | 95701-1008000 | BOLT, FLANGE, 10X80 | 4 | |
| <u>Ref</u> | <u>Partnumber</u> | <u>Description</u> | <u>GXV340K2</u> | <u>Serial Numbers</u> |
| 018 | 98079-55846 | PLUG, SPARK (BPR5ES) (NGK) | 1 | |

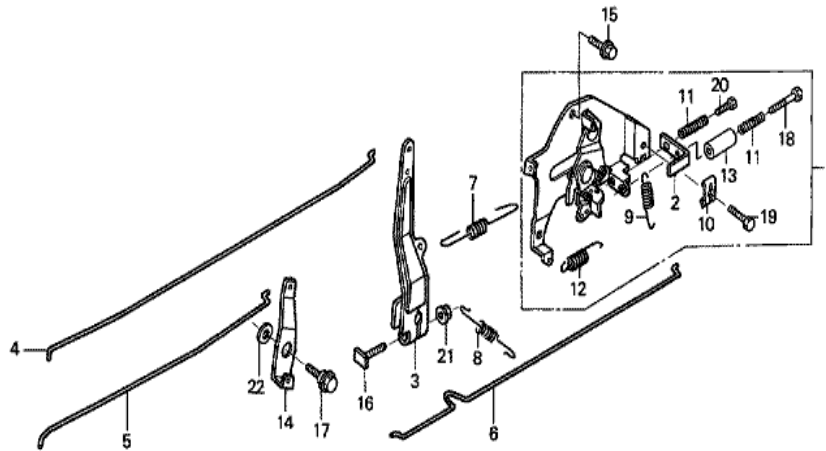


ZE92-E2000C

| Ref | Partnumber | Description | GXV340K2 | Serial Numbers |
|-----|---------------|-----------------------------|----------|----------------|
| 001 | 17239-ZE8-700 | SPACER, AIR CLEANER ELBOW | 1 | |
| 003 | 30500-ZE9-L32 | COIL ASSY., IGNITION | 1 | |
| 004 | 30700-ZE8-701 | CAP ASSY., NOISE SUPPRESSOR | 1 | |
| 005 | 31700-ZE8-003 | RECTIFIER ASSY., SILICON | 1 | |
| 007 | 31717-ZF5-V00 | BRACKET, RECTIFIER | 1 | |
| 008 | 32161-404-610 | BAND B1, WIRE | 1 | |
| 011 | 91504-SLO-003 | CLIP, HOOD OPEN WIRE | 1 | |
| 013 | 90015-883-000 | BOLT, FLANGE, 6X28 (CT200) | 2 | |
| 014 | 95701-0603200 | BOLT, FLANGE, 6X32 | 1 | |
| 015 | 32110-ZB5-G30 | HARNESS ASSY., SUB WIRE | 1 | 6028241 |
| 016 | 36101-ZE9-L30 | CORD, STOP SWITCH | 1 | |

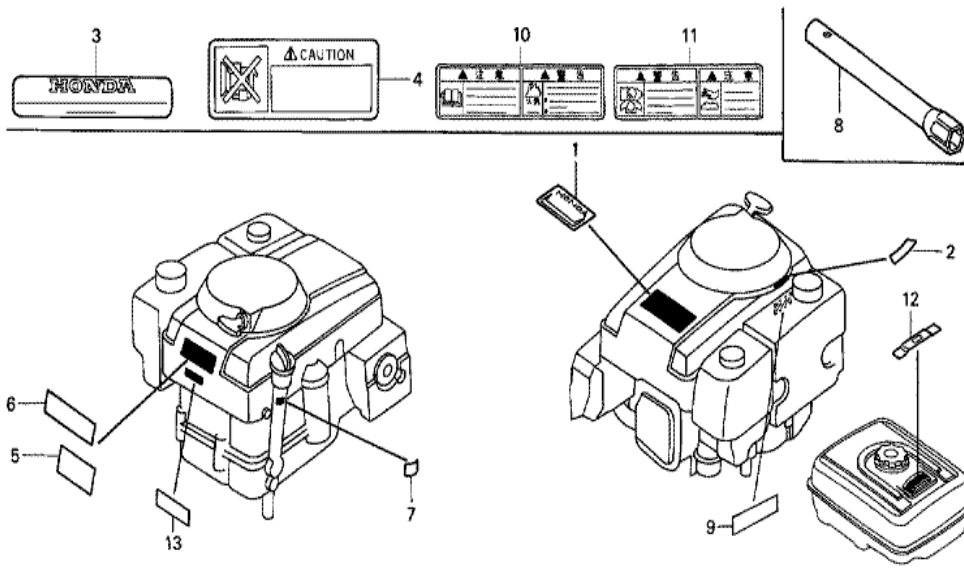


| <u>Ref</u> | <u>Partnumber</u> | <u>Description</u> | <u>GXV340K2</u> | <u>Serial Numbers</u> |
|------------|-------------------|--------------------------------|-----------------|-----------------------|
| 001 | 31200-ZF5-L32 | MOTOR ASSY., STARTER | 1 | |
| 002 | 31206-ZF5-L31 | DRIVE ASSY. | 1 | |
| 003 | 31225-ZF5-L31 | STOPPER SET, PINION | 1 | |
| 004 | 31226-ZF5-L31 | BRUSH SET | 1 | |
| 005 | 31261-ZF5-L31 | BOLT, THROUGH | 2 | |
| 006 | 32402-ZF5-V00 | CORD, MAGNET SWITCH | 1 | |
| 007 | 32411-ZV4-811 | COVER, STARTER TERMINAL | 1 | |
| 008 | 32412-ZV4-811 | COVER, MAGNETIC SWITCHTERMINAL | 1 | |
| 009 | 35850-ZF5-V01 | SWITCH ASSY., STARTER MAGNETIC | 1 | |
| 010 | 91504-ZF5-V00 | COLLAR, DISTANCE | 2 | |
| 011 | 94070-06080 | NUT-WASHER, 6MM | 2 | |
| 012 | 94301-10120 | DOWEL PIN, 10X12 | 2 | |
| 013 | 95701-0803500 | BOLT, FLANGE, 8X35 | 2 | |
| <u>Ref</u> | <u>Partnumber</u> | <u>Description</u> | <u>GXV340K2</u> | <u>Serial Numbers</u> |
| 014 | 96001-0602500 | BOLT, FLANGE, 6X25 | 2 | |



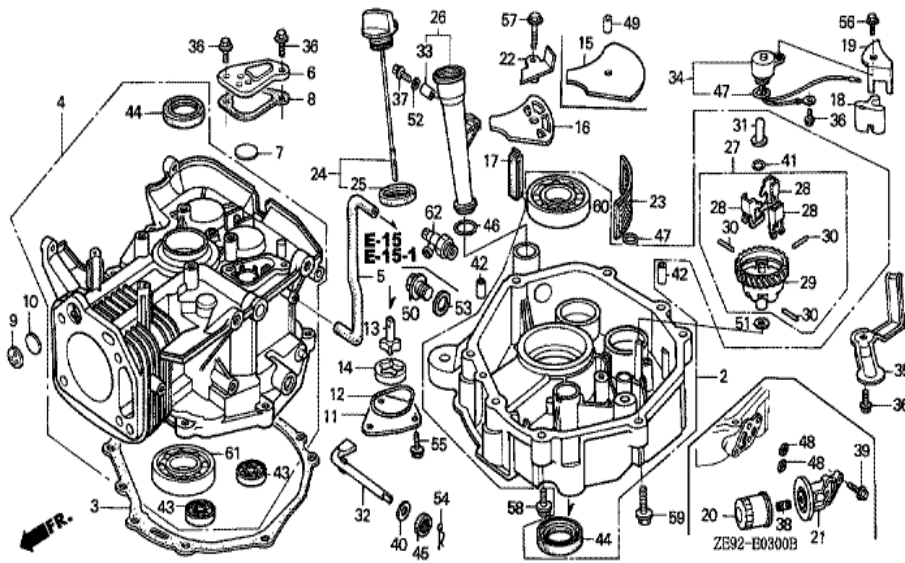
ZE92-E2201B

| <u>Ref</u> | <u>Partnumber</u> | <u>Description</u> | <u>GXV340K2</u> | <u>Serial Numbers</u> |
|------------|-------------------|----------------------------|-----------------|-----------------------|
| 001 | 16500-ZF5-U20 | CONTROL ASSY. | 1 | 6025009 |
| 002 | 16539-ZF5-L40 | PLATE, SCREW ADJUST GUARD | 1 | 6025009 |
| 003 | 16551-ZF5-000 | ARM, GOVERNOR | 1 | 6025009 |
| 004 | 16555-ZE9-000 | ROD, GOVERNOR | 1 | 6025009 |
| 005 | 16556-ZE9-000 | ROD, CHOKE | 1 | 6025009 |
| 006 | 16557-ZE8-000 | ROD, JOINT | 1 | 6025009 |
| 007 | 16561-ZF5-000 | SPRING, GOVERNOR | 1 | 6025009 |
| 008 | 16563-ZE8-000 | SPRING, GOVERNOR PRIMARY | 1 | 6025009 |
| 009 | 16574-ZF5-L00 | SPRING, LEVER | 1 | 6025009 |
| 010 | 16576-891-000 | HOLDER, CABLE | 1 | 6025009 |
| 011 | 16584-883-300 | SPRING, CONTROL ADJUSTING | 2 | 6025009 |
| 012 | 16592-732-700 | SPRING, CABLE RETURN | 1 | 6025009 |
| 013 | 16599-ZG1-M10 | COLLAR, STOPPER | 1 | 6025009 |
| <u>Ref</u> | <u>Partnumber</u> | <u>Description</u> | <u>GXV340K2</u> | <u>Serial Numbers</u> |
| 014 | 16619-ZF5-000 | LEVER, CHOKE JOINT | 1 | 6025009 |
| 015 | 90013-883-000 | BOLT, FLANGE, 6X12 (CT200) | 1 | 6025009 |
| 016 | 90015-ZE5-010 | BOLT, GOVERNOR ARM | 1 | 6025009 |
| 017 | 90015-ZE8-000 | BOLT, FLANGE, 6MM | 1 | 6025009 |
| 018 | 90016-ZG1-M10 | SCREW, RECESSED, 5X35 | 1 | 6025009 |
| 019 | 92301-050160A | BOLT, RECESSED, 5X16 | 1 | 6025009 |
| 020 | 92301-050220A | BOLT, RECESSED, 5X22 | 1 | 6025009 |
| 021 | 94050-06000 | NUT, FLANGE, 6MM | 1 | 6025009 |
| 022 | 94101-06800 | WASHER, PLAIN, 6MM | 1 | 6025009 |



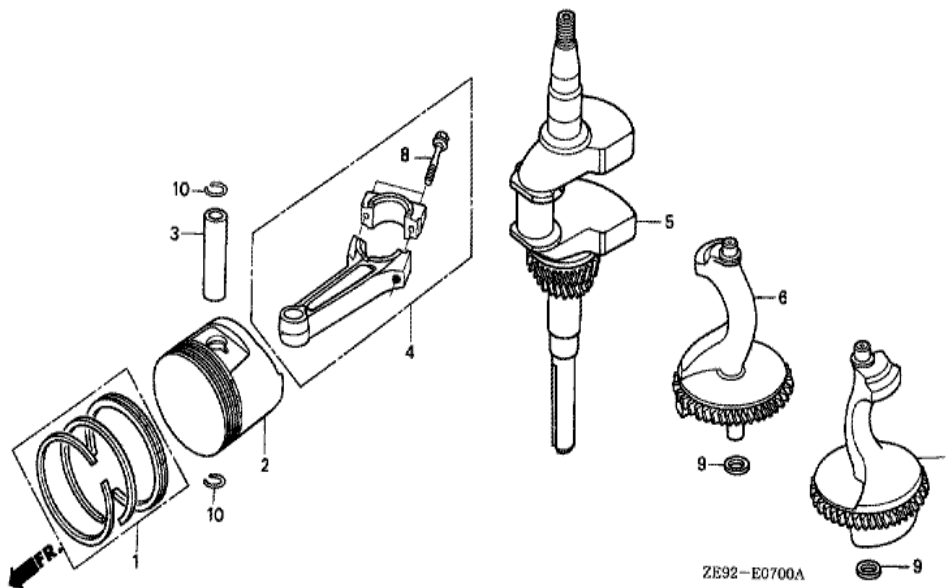
ZE92-E2800B

| Ref | Partnumber | Description | GXV340K2 | Serial Numbers |
|-----|---------------|---------------------------|----------|----------------|
| 001 | 87101-ZE9-V01 | EMBLEM, TOP COVER (11.0) | 1 | |
| 005 | 87516-ZG0-B50 | MARK, OPERATOR CAUTION | 1 | |
| 007 | 87601-ZE9-U50 | MARK, TYPE (DCA2) | 1 | |
| 008 | 99004-21002 | WRENCH, BOX (P21) | 1 | |
| 013 | 87135-ZE2-020 | LABEL, E-SPEC (15.5X27.5) | 1 | |

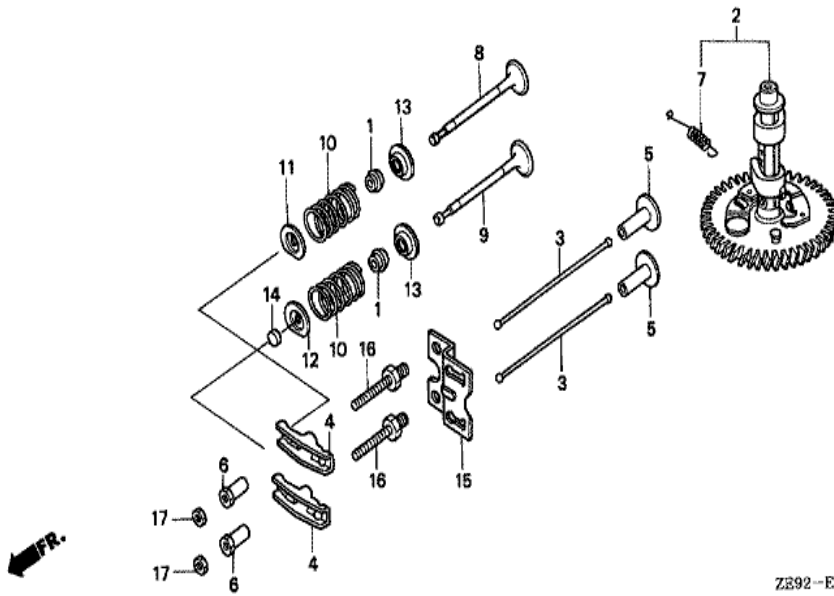


| Ref | Partnumber | Description | GXV340K2 | Serial Numbers |
|-----|---------------|------------------------|----------|----------------|
| 002 | 11300-ZF5-408 | PAN ASSY., OIL | 1 | |
| 003 | 11381-ZE9-801 | PACKING, OIL PAN | 1 | |
| 004 | 12000-ZE9-405 | BARREL ASSY., CYLINDER | 1 | |
| 005 | 12315-ZF5-000 | TUBE, BREATHER | 1 | |
| 006 | 12370-ZF5-000 | CAP, BREATHER CHAMBER | 1 | |
| 007 | 12372-ZE2-300 | VALVE, BREATHER | 1 | |
| 008 | 12373-ZE8-000 | PACKING, BREATHER CAP | 1 | |
| 009 | 12375-ZE9-010 | PLATE, ONE-WAY VALVE | 1 | |
| 010 | 12376-ZE8-000 | VALVE, ONE WAY | 1 | |
| 011 | 15130-ZE8-000 | COVER, OIL PUMP | 1 | |
| 012 | 15131-ZE9-003 | O-RING, PUMP COVER | 1 | |
| 013 | 15330-ZE8-000 | ROTOR COMP., INNER | 1 | |
| 014 | 15332-891-003 | ROTOR, OIL PUMP OUTER | 1 | |

| <u>Ref</u> | <u>Partnumber</u> | <u>Description</u> | <u>GXV340K2</u> | <u>Serial Numbers</u> |
|------------|-------------------|----------------------------|-----------------|-----------------------|
| 016 | 15334-ZE8-811 | PLATE, OIL FILTER | 1 | |
| 017 | 15335-ZE9-000 | RUBBER, OIL RETURN | 1 | |
| 018 | 15336-ZE8-000 | STOPPER, OIL | 1 | |
| 019 | 15337-ZE8-000 | PLATE, OIL STOPPER | 1 | |
| 022 | 15420-ZE8-000 | PLATE COMP., SUCTION | 1 | |
| 023 | 15421-ZE9-003 | SCREEN, OIL FILTER | 1 | |
| 024 | 15600-ZF5-000 | CAP ASSY., OIL FILLER | 1 | |
| 025 | 15625-ZE8-000 | PACKING, OIL FILLER CAP | 1 | |
| 026 | 15630-ZE8-000 | EXTENSION, OIL FILLER | 1 | |
| 027 | 16510-ZE3-000 | GOVERNOR ASSY. | 1 | |
| 028 | 16511-ZE8-000 | WEIGHT, GOVERNOR | 3 | |
| 029 | 16512-ZE3-000 | HOLDER, GOVERNOR WEIGHT | 1 | |
| 030 | 16513-ZE2-000 | PIN, GOVERNOR WEIGHT | 3 | |
| 031 | 16531-Z0A-000 | SLIDER, GOVERNOR | 1 | |
| 032 | 16541-ZE8-010 | SHAFT, GOVERNOR ARM | 1 | |
| 033 | 17240-ZE6-000 | COLLAR, EXTENSION | 1 | |
| 034 | 35410-ZF5-013 | SWITCH COMP., OIL LEVEL | 1 | |
| 035 | 35419-ZF5-000 | PROTECTOR, SWITCH | 1 | |
| 036 | 90013-883-000 | BOLT, FLANGE, 6X12 (CT200) | 2 | |
| 037 | 90014-ZE6-000 | BOLT, FLANGE, 6X35 (CT200) | 1 | |
| 040 | 90406-VM6-000 | WASHER, THRUST, 8.1MM | 1 | |
| 041 | 90602-ZE1-000 | CLIP, GOVERNOR HOLDER | 1 | |
| 042 | 90701-HC4-000 | DOWEL PIN, 8X12 | 2 | |
| 043 | 91001-ZF5-003 | BEARING, RADIAL BALL, 6202 | 2 | |
| 044 | 91201-ZE3-004 | OIL SEAL, 35X52X8 | 2 | |
| 045 | 91203-952-771 | OIL SEAL, 8X14X5 | 1 | |
| 046 | 91301-ZE9-003 | O-RING, 22.1X2.2 | 1 | |
| 047 | 91302-ZL8-003 | O-RING, 11.8X2.4 | 2 | |
| 050 | 92800-20000 | BOLT, DRAIN PLUG, 20MM | 1 | |
| 051 | 94101-06800 | WASHER, PLAIN, 6MM | 1 | |
| 052 | 94103-06700 | WASHER, PLAIN, 6MM | 1 | 6028241 |
| 053 | 94109-20000 | WASHER, DRAIN PLUG, 20MM | 1 | |
| 054 | 94251-10000 | PIN, LOCK, 10MM | 1 | |
| <u>Ref</u> | <u>Partnumber</u> | <u>Description</u> | <u>GXV340K2</u> | <u>Serial Numbers</u> |
| 055 | 95701-0601200 | BOLT, FLANGE, 6X12 | 3 | |
| 056 | 95701-0601600 | BOLT, FLANGE, 6X16 | 1 | |
| 057 | 95701-0602500 | BOLT, FLANGE, 6X25 | 1 | |
| 058 | 95701-0804008 | BOLT, FLANGE, 8X40 | 6 | |
| 059 | 95701-0806008 | BOLT, FLANGE, 8X60 | 1 | |
| 060 | 96100-6207300 | BEARING, RADIAL BALL, 6207 | 1 | |
| 061 | 96100-6207300 | BEARING, RADIAL BALL, 6207 | 1 | |



| <u>Ref</u> | <u>Partnumber</u> | <u>Description</u> | <u>GXV340K2</u> | <u>Serial Numbers</u> |
|------------|-------------------|---|-----------------|-----------------------|
| 001 | 13010-ZE3-003 | RING SET, PISTON (STD.) (NIPPON) | 1 | |
| 001 | 13010-ZE3-005 | RING SET, PISTON (STD.) (TEIKOKU) | 1 | |
| 001 | 13011-ZE3-003 | RING SET, PISTON (0.25) (NIPPON) | (1) | |
| 001 | 13011-ZE3-005 | RING SET, PISTON (0.25) (TEIKOKU) | (1) | |
| 001 | 13012-ZE3-003 | RING SET, PISTON (0.50) (NIPPON) | (1) | |
| 001 | 13012-ZE3-005 | RING SET, PISTON (0.50) (TEIKOKU) | (1) | |
| 001 | 13013-ZE3-003 | RING SET, PISTON (0.75) (NIPPON) | (1) | |
| 001 | 13013-ZE3-005 | RING SET, PISTON (0.75) (TEIKOKU) | (1) | |
| 002 | 13101-ZE3-W00 | PISTON (STD.) | 1 | |
| 002 | 13102-ZE3-W00 | PISTON (0.25) | (1) | |
| 002 | 13103-ZE3-W00 | PISTON (0.50) | (1) | |
| 002 | 13104-ZE3-W00 | PISTON (0.75) | (1) | |
| 003 | 13111-ZE3-000 | PIN, PISTON | 1 | |
| <u>Ref</u> | <u>Partnumber</u> | <u>Description</u> | <u>GXV340K2</u> | <u>Serial Numbers</u> |
| 004 | 13200-ZE9-020 | ROD ASSY., CONNECTING | 1 | |
| 004 | 13200-ZE9-315 | ROD ASSY., CONNECTING (0.25 UNDER SIZE) | (1) | |
| 005 | 13310-ZF5-030 | CRANKSHAFT COMP. | 1 | |
| 006 | 13351-ZE9-603 | WEIGHT A, BALANCER | 1 | |
| 007 | 13356-ZE9-604 | WEIGHT B, BALANCER | 1 | |
| 008 | 90001-ZE8-000 | BOLT, CONNECTING ROD | 2 | |
| 009 | 90417-HA0-000 | WASHER, THRUST, 15MM | 2 | |
| 010 | 90601-ZE3-000 | CLIP, PISTON PIN, 20MM | 2 | |



ZB92-E0900

| <u>Ref</u> | <u>Partnumber</u> | <u>Description</u> | <u>GXV340K2</u> | <u>Serial Numbers</u> |
|------------|-------------------|----------------------------|-----------------|-----------------------|
| 001 | 12209-ZE8-003 | SEAL, VALVE STEM | 2 | |
| 002 | 14100-ZE8-602 | CAMSHAFT ASSY. | 1 | |
| 003 | 14410-ZE3-013 | ROD, PUSH | 2 | |
| 004 | 14431-ZE2-010 | ARM, VALVE ROCKER | 2 | |
| 005 | 14441-ZE2-000 | LIFTER, VALVE | 2 | |
| 006 | 14451-ZE1-013 | PIVOT, ROCKER ARM | 2 | |
| 007 | 14568-ZE1-000 | SPRING, WEIGHT RETURN | 1 | |
| 008 | 14711-ZE3-000 | VALVE, IN. | 1 | |
| 009 | 14721-ZE3-000 | VALVE, EX. | 1 | |
| 010 | 14751-ZE2-003 | SPRING, VALVE | 2 | |
| 011 | 14771-ZE2-000 | RETAINER, IN. VALVE SPRING | 1 | |
| 012 | 14773-ZE2-000 | RETAINER, EX. VALVE SPRING | 1 | |
| 013 | 14775-ZE2-010 | SEAT, VALVE SPRING | 2 | |
| <u>Ref</u> | <u>Partnumber</u> | <u>Description</u> | <u>GXV340K2</u> | <u>Serial Numbers</u> |
| 014 | 14781-ZE2-000 | ROTATOR, VALVE | 1 | |
| 015 | 14791-ZE9-010 | GUIDE, PUSH ROD | 1 | 2104727 |
| 016 | 90012-ZE0-010 | BOLT, PIVOT, 8MM | 2 | |
| 017 | 90206-ZE1-000 | NUT, PIVOT ADJUSTING | 2 | |