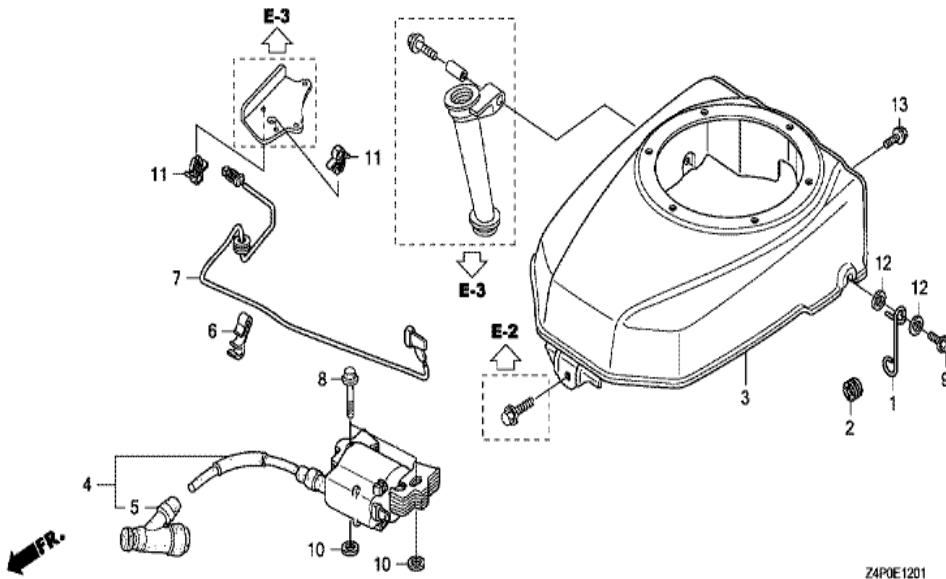
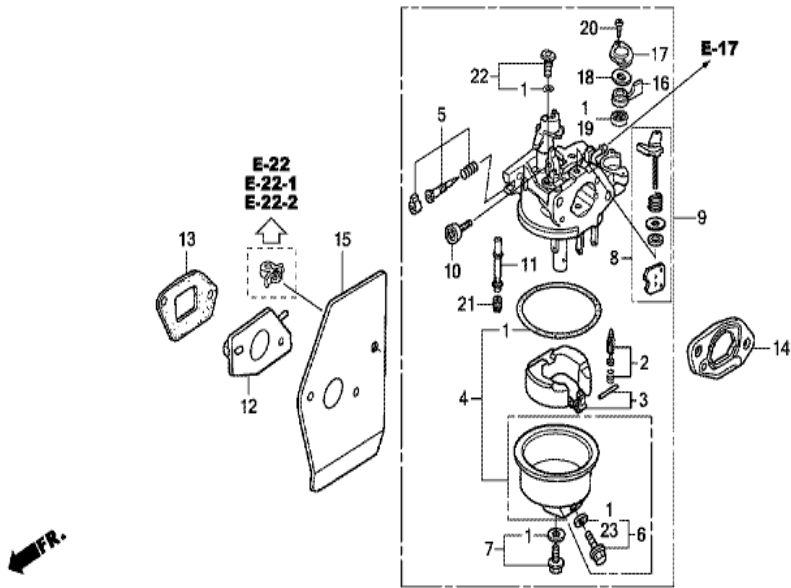


Ref	Partnumber	Description	GXV160UH2	Serial Numbers
001	28400-Z1V-013ZA	STARTER ASSY., RECOIL *NH1*	1	
001	28400-Z1V-013ZA	STARTER ASSY., RECOIL *NH1*	1	
001	28400-Z1V-013ZB	STARTER ASSY., RECOIL *R280*	1	
001	28400-Z1V-013ZB	STARTER ASSY., RECOIL *R280*	1	
002	28410-Z1V-003ZA	CASE COMP., RECOIL STARTER *R280 *	1	
002	28410-Z1V-003ZB	CASE COMP., RECOIL STARTER *NH1 *	1	
002	28410-Z1V-003ZB	CASE COMP., RECOIL STARTER *NH1 *	1	
003	28420-Z1V-003	REEL, RECOIL STARTER (BLACK)	1	
004	28422-ZH8-801	RATCHET, STARTER	2	
005	28431-ZH8-801	PLATE, FRICTION	1	
006	28433-ZH8-801	GUIDE, RATCHET	1	
007	28441-ZH8-801	SPRING, FRICTION	1	
008	28442-ZH8-003	SPRING, RECOIL STARTER	1	
Ref	Partnumber	Description	GXV160UH2	Serial Numbers
009	28443-ZH8-801	SPRING, RETURN	2	
011	28461-ZH8-013	KNOB, RECOIL STARTER	1	
011	28461-ZH8-013	KNOB, RECOIL STARTER	1	
012	28462-ZH8-003	ROPE, RECOIL STARTER	1	1050545
012	28462-ZH8-003	ROPE, RECOIL STARTER	1	
013	90003-ZH8-801	SCREW, SETTING	1	
014	95701-0600800	BOLT, FLANGE, 6X8	3	



Z4P0E1201

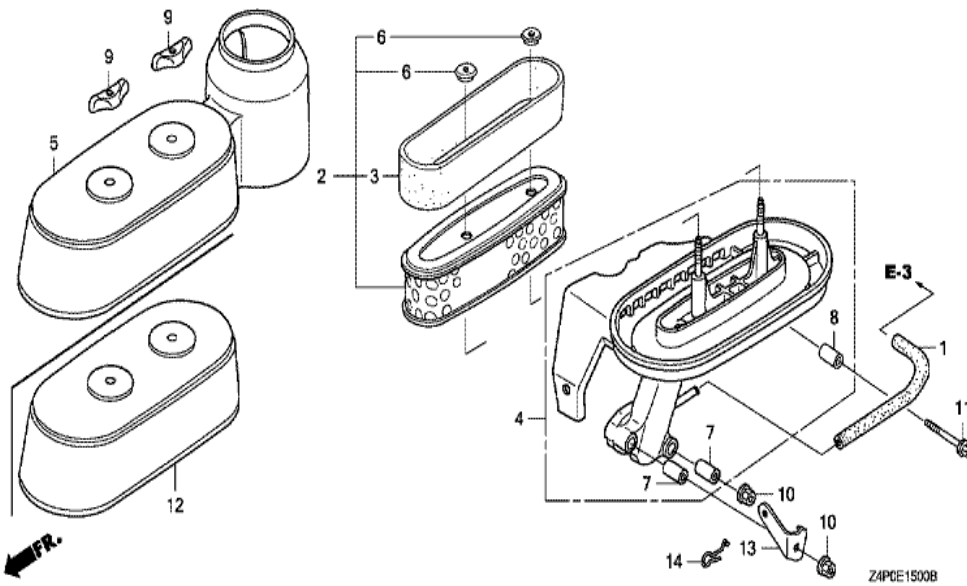
Ref	Partnumber	Description	GXV160UH2	Serial Numbers
001	17224-Z4P-800	STAY, FUEL TUBE	1	
002	19051-KA3-830	RUBBER, RADIATOR MOUNTING	1	
003	19610-Z4P-800ZA	COVER COMP., FAN *NH1*	1	
003	19610-Z4P-800ZA	COVER COMP., FAN *NH1*	1	
003	19610-Z4P-800ZB	COVER COMP., FAN *R280*	1	
003	19610-Z4P-800ZB	COVER COMP., FAN *R280*	1	
004	30500-Z1V-013	COIL ASSY., IGNITION	1	
005	30700-Z1V-003	CAP ASSY., NOISE SUPPRESSOR	1	
006	32763-PA0-000	CLAMP, CORD	1	
007	36101-Z4P-800	CORD, STOP SWITCH	1	
007	36101-Z4P-800	CORD, STOP SWITCH	1	
008	90015-883-000	BOLT, FLANGE, 6X28 (CT200)	2	
009	90029-888-000	BOLT, FLANGE, 6X16 (CT200)	1	
Ref	Partnumber	Description	GXV160UH2	Serial Numbers
010	90581-Z1V-000	WASHER, PLAIN, 6MM	2	
011	90681-959-003	CLIP A, CABLE (NIFCO) (3.8MM BLACK)	2	
012	94103-06000	WASHER, PLAIN, 6MM	2	
013	95701-0601200	BOLT, FLANGE, 6X12	1	



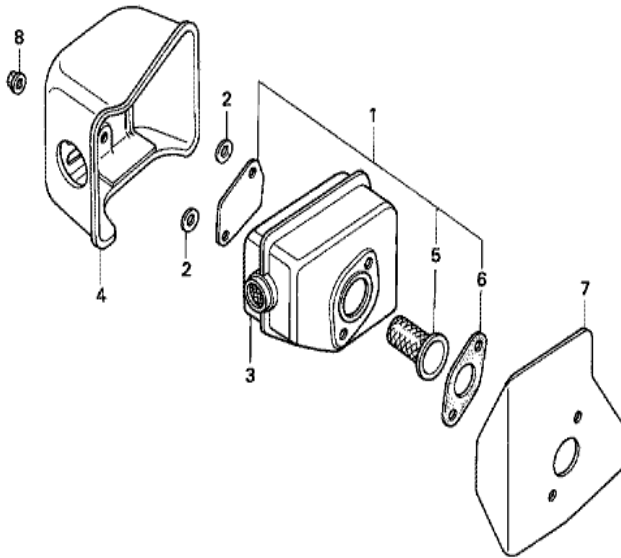
Z4PDE1400C

Ref	Partnumber	Description	GXV160UH2	Serial Numbers
001	16010-ZE0-025	GASKET SET	1	
002	16011-ZE0-005	VALVE SET, FLOAT	1	
003	16013-ZOS-B01	FLOAT SET	1	
003	16013-ZOS-B01	FLOAT SET	1	BE66N A
003	16013-ZOS-B01	FLOAT SET	1	
004	16015-ZE0-831	CHAMBER SET, FLOAT	1	
005	16016-ZH7-W01	SCREW SET, PILOT	1	
006	16024-ZE1-811	SCREW SET, DRAIN	1	
007	16028-ZE0-005	SCREW SET	1	
008	16045-Z1V-G01	CHOKE SET	1	
008	16045-Z1V-G01	CHOKE SET	1	BE66N A
008	16045-Z1V-G01	CHOKE SET	1	
009	16100-Z4P-801	CARBURETOR ASSY. (BEA2C A)	1	1274134

<u>Ref</u>	<u>Partnumber</u>	<u>Description</u>	<u>GXV160UH2</u>	<u>Serial Numbers</u>
009	16100-Z4P-801	CARBURETOR ASSY. (BEA2C A)	1	1274134
010	16124-ZE0-005	SCREW, THROTTLE STOP	1	
011	16166-Z1V-801	NOZZLE, MAIN	1	
011	16166-Z1V-801	NOZZLE, MAIN	1	
012	16211-ZE7-000	INSULATOR, CARBURETOR	1	
013	16212-ZE7-M10	PACKING, INSULATOR	1	
013	16212-ZE7-M10	PACKING, INSULATOR	1	
014	16220-ZE6-010	SPACER COMP., CARBURETOR	1	
015	16221-ZE7-M11	PACKING, CARBURETOR	1	
015	16221-ZE7-M11	PACKING, CARBURETOR	1	
016	16953-ZE1-812	LEVER, COCK	1	
017	16954-ZE1-812	PLATE, LEVER SETTING	1	
018	16956-ZE1-811	SPRING, COCK LEVER	1	
019	16957-ZE1-812	PACKING, FUEL COCK	1	
020	93500-030061H	SCREW, PAN, 3X6	2	
021	99101-ZH80620	JET, MAIN, #62	(1)	
021	99101-ZH80620	JET, MAIN, #62	(1)	
021	99101-ZH80650	JET, MAIN, #65	(1)	BE66N A
021	99101-ZH80650	JET, MAIN, #65	(1)	
021	99101-ZH80680	JET, MAIN, #68	1	BE66N A
021	99101-ZH80680	JET, MAIN, #68	1	
022	99204-ZE00350	JET SET, PILOT, #35	1	
023	16141-ZOS-003	WASHER, PLAIN (6.2X10.7 DRAIN)	1	
023	16141-ZOS-003	WASHER, PLAIN (6.2X10.7 DRAIN)	1	



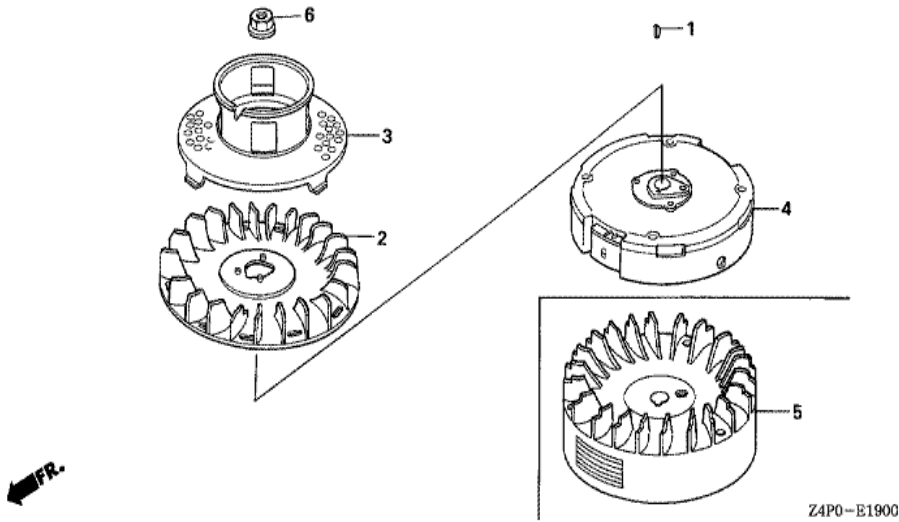
Ref	Partnumber	Description	GXV160UH2	Serial Numbers
001	15721-ZE7-000	TUBE, BREATHER	1	
002	17210-Z1V-003	ELEMENT, AIR CLEANER	1	
003	17218-888-003	FILTER, OUTER	1	
004	17220-Z1V-000	CASE COMP., AIR CLEANER	1	
006	17232-891-000	GROMMET, AIR CLEANER	2	
007	17238-ZE7-710	COLLAR, AIR CLEANER	2	
008	17239-ZE6-300	COLLAR B, AIR CLEANER	1	
009	90300-Z1V-000	NUT, AIR CLEANER	2	
010	94050-06000	NUT, FLANGE, 6MM	2	
011	95701-0603500	BOLT, FLANGE, 6X35	1	
012	17231-Z1V-G01	COVER, AIR CLEANER	1	
013	16598-Z1V-G00	STAY, CHOKE CONTROL	1	
014	16611-Z1V-G00	ROD, CHOKE CONTROL	1	



Z4P0-E1600

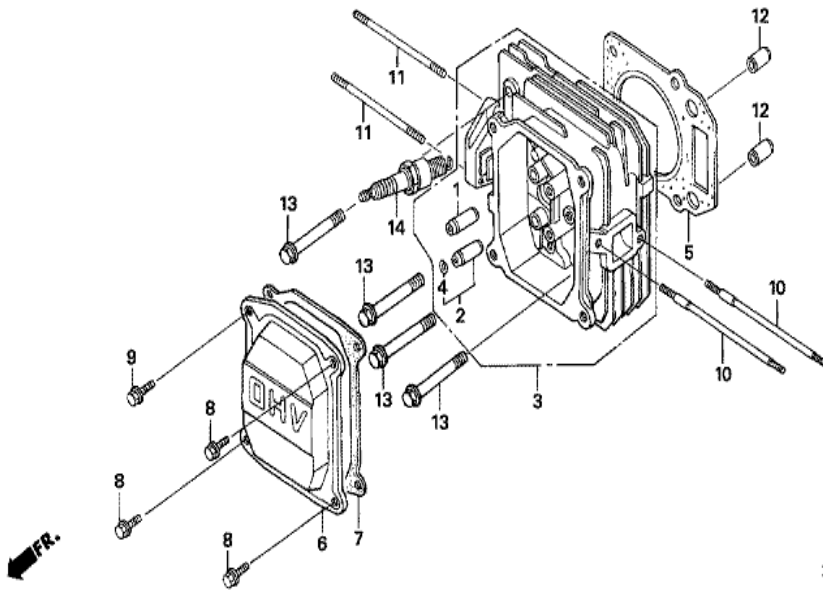
Ref	Partnumber	Description	GXV160UH2	Serial Numbers
001	06180-ZE6-820	ARRESTER KIT, SPARK	(1)	
001	06180-ZE6-820	ARRESTER KIT, SPARK	(1)	
003	18310-Z1V-000	MUFFLER COMP.	1	
004	18320-Z1V-010	PROTECTOR COMP., MUFFLER	1	
005	18355-888-810	ARRESTER, SPARK	(1)	
005	18355-888-810	ARRESTER, SPARK	(1)	
006	18381-ZE6-820	GASKET, MUFFLER	(1)	
006	18381-ZE6-820	GASKET, MUFFLER	(1)	
007	18381-Z1V-000	GASKET, MUFFLER	1	
008	90343-ZE6-000	NUT, SELF-LOCK, 6MM	2	





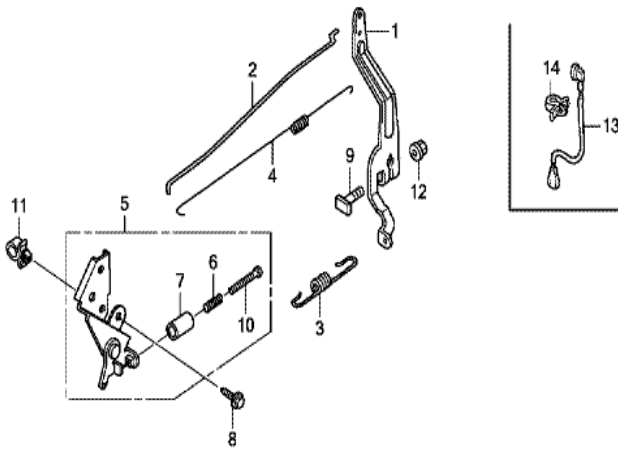
Ref	Partnumber	Description	GXV160UH2	Serial Numbers
001	13331-357-000	KEY, SPECIAL WOODRUFF, 25X18	1	
002	19511-Z1T-000	FAN, COOLING	1	
003	28450-Z1V-000	PULLEY COMP., STARTER	1	
004	31110-Z1V-003	FLYWHEEL COMP.	1	
006	90201-Z1T-000	NUT, SPECIAL, 14MM	1	





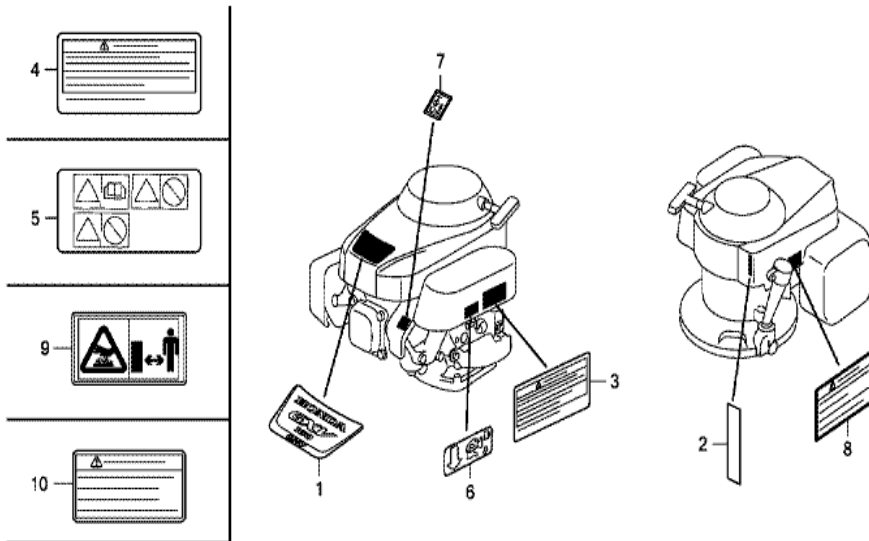
Z4P0-E0200

Ref	Partnumber	Description	GXV160UH2	Serial Numbers
001	12204-ZE1-306	GUIDE, IN. VALVE (OS)	1	
002	12205-ZE1-315	GUIDE, EX. VALVE (OS)	1	
003	12200-ZE7-405	HEAD COMP., CYLINDER	1	
003	12200-ZE7-405	HEAD COMP., CYLINDER	1	
004	12216-ZE5-300	CLIP, VALVE GUIDE	1	
005	12251-Z1V-003	GASKET, CYLINDER HEAD (GUANGZHOU LEAKLES)	1	
005	12251-Z1V-003	GASKET, CYLINDER HEAD (GUANGZHOU LEAKLES)	1	1116223
006	12311-ZG9-800	COVER, HEAD	1	
007	12391-ZE7-M10	PACKING, HEAD COVER	1	
007	12391-ZE7-M10	PACKING, HEAD COVER	1	
008	90014-952-000	BOLT, FLANGE, 6X14 (CT200)	3	
009	90014-952-000	BOLT, FLANGE, 6X14 (CT200)	1	
010	90043-ZE6-000	BOLT, STUD, 6X109	2	
Ref	Partnumber	Description	GXV160UH2	Serial Numbers
011	90048-ZC3-000	BOLT, STUD, 6X85	2	
012	94301-10160	DOWEL PIN, 10X16	2	
013	95701-0805000	BOLT, FLANGE, 8X50	4	
014	98079-54846	PLUG, SPARK (BPR4ES) (NGK)	(1)	
014	98079-54855	PLUG, SPARK (W14EPR-U) (DENSO)	(1)	
014	98079-54855	PLUG, SPARK (W14EPR-U) (DENSO)	(1)	
014	98079-55846	PLUG, SPARK (BPR5ES) (NGK)	1	
014	98079-55846	PLUG, SPARK (BPR5ES) (NGK)	1	
014	98079-55855	PLUG, SPARK (W16EPR-U) (DENSO)	1	
014	98079-55855	PLUG, SPARK (W16EPR-U) (DENSO)	1	
014	98079-56846	PLUG, SPARK (BPR6ES) (NGK)	(1)	
014	98079-56846	PLUG, SPARK (BPR6ES) (NGK)	(1)	
014	98079-56855	PLUG, SPARK (W20EPR-U) (DENSO)	(1)	
014	98079-56855	PLUG, SPARK (W20EPR-U) (DENSO)	(1)	



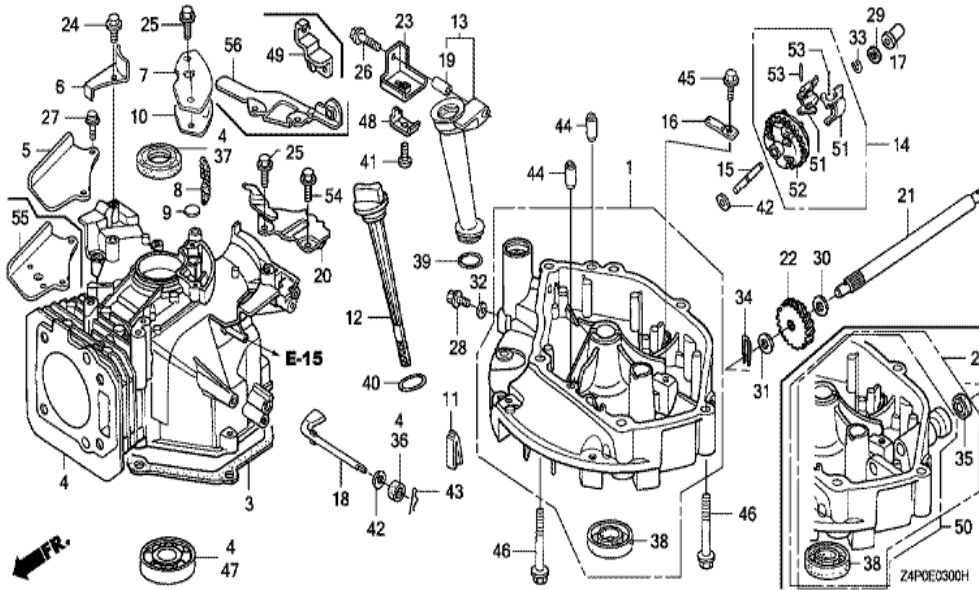
Z4P0E2202A

Ref	Partnumber	Description	GXV160UH2	Serial Numbers
001	16551-ZE7-000	ARM, GOVERNOR	1	
002	16555-ZE7-000	ROD, GOVERNOR	1	
003	16561-ZE7-020	SPRING, GOVERNOR	1	
004	16562-ZE6-000	SPRING, THROTTLE RETURN	1	
005	16570-Z4P-800	CONTROL COMP.	1	
006	16584-883-300	SPRING, CONTROL ADJUSTING	1	
007	16599-ZG1-M10	COLLAR, STOPPER	1	
008	90013-883-000	BOLT, FLANGE, 6X12 (CT200)	2	
009	90015-ZE5-010	BOLT, GOVERNOR ARM	1	
010	90016-ZG1-M10	SCREW, RECESSED, 5X35	1	
011	90659-Z1V-003	CLIP, HARNESS	1	
011	90659-Z1V-003	CLIP, HARNESS	1	
012	94050-06000	NUT, FLANGE, 6MM	1	



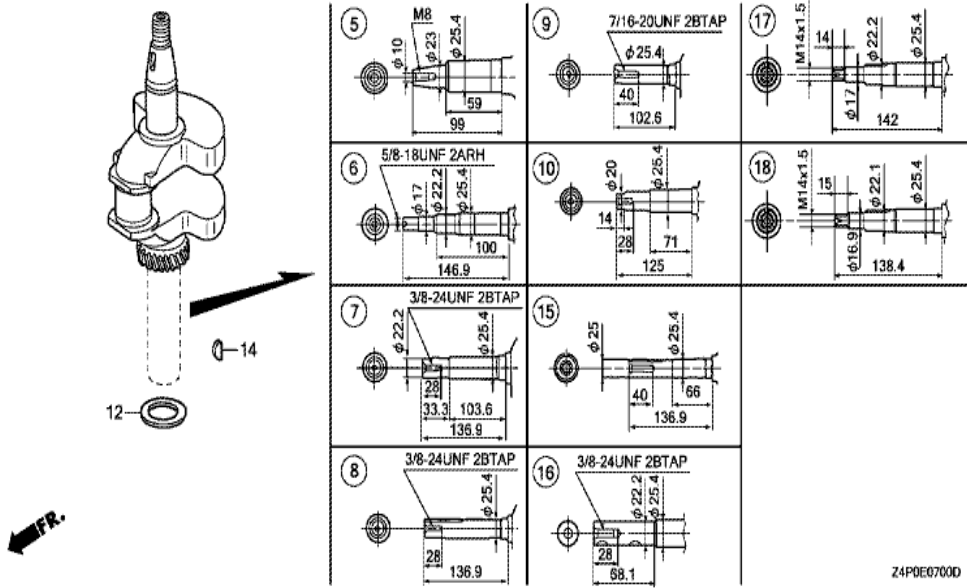
Z4PGE2801

Ref	Partnumber	Description	GXV160UH2	Serial Numbers
001	87101-Z1V-020	MARK, EMBLEM (GXV160)	1	
002	87504-Z1V-000	MARK, MANUFACTURER	1	
003	87516-Z4N-010	MARK, OPERATOR CAUTION (ENGLISH)	1	
004	87516-Z4N-801	MARK, OPERATOR CAUTION (FRENCH)	1	
005	87519-Z4N-000	MARK, OPERATOR CAUTION (PICTOGRAPH)	1	
006	87524-Z1V-000	MARK, FUEL COCK CAUTION	1	
007	87528-ZL8-000	MARK, CHOKE	1	
008	87539-Z0J-000	MARK, EX. CAUTION (ENGLISH)	1	
009	87539-Z0J-800	MARK, EX. CAUTION (PICTOGRAPH)	1	
010	87539-Z0J-810	MARK, EX. CAUTION (FRENCH)	1	



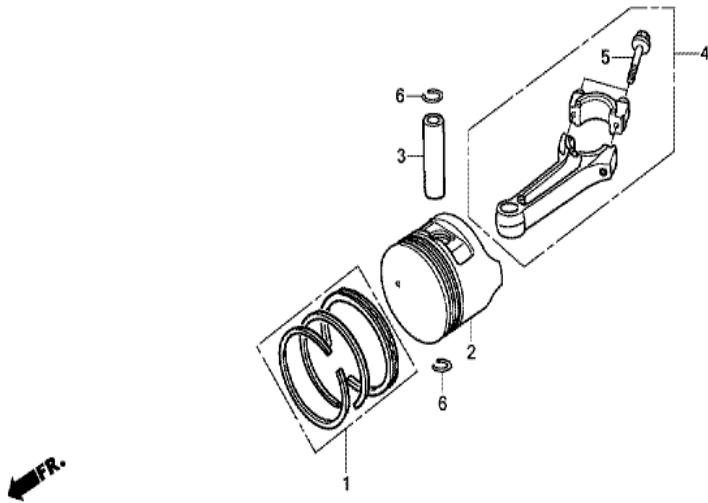
Ref	Partnumber	Description	GXV160UH2	Serial Numbers
001	11300-Z1V-406	PAN ASSY., OIL	1	
001	11300-Z1V-406	PAN ASSY., OIL	1	
003	11381-ZE7-M10	PACKING, OIL PAN	1	
003	11381-ZE7-M10	PACKING, OIL PAN	1	
004	12000-Z2J-405	BARREL ASSY., CYLINDER	1	
006	12126-Z1V-000	PLATE A, GUIDE	1	
007	12355-Z1V-000	COVER COMP., BREATHER	1	
008	12367-883-003	FILTER, BREATHER	1	
009	12372-ZE7-000	VALVE, BREATHER	1	
010	12373-ZE7-000	PACKING, BREATHER COVER	1	
011	15335-ZE7-000	RUBBER, OIL RETURN	1	
012	15620-ZE6-810	GAUGE COMP., OIL LEVEL	1	
013	15630-ZE6-810	EXTENSION, OIL FILLER	1	

<u>Ref</u>	<u>Partnumber</u>	<u>Description</u>	<u>GXV160UH2</u>	<u>Serial Numbers</u>
014	16510-ZE6-000	GOVERNOR ASSY.	1	
015	16515-ZE6-010	SHAFT, GOVERNOR HOLDER	1	
016	16525-ZE6-010	PLATE, GOVERNOR SHAFT HOLDER	1	
017	16531-Z1T-000	SLIDER, GOVERNOR	1	
018	16541-ZE7-000	SHAFT, GOVERNOR ARM	1	
019	17240-ZE6-000	COLLAR, EXTENSION	1	
024	90013-883-000	BOLT, FLANGE, 6X12 (CT200)	1	
025	90014-952-000	BOLT, FLANGE, 6X14 (CT200)	3	
025	90014-952-000	BOLT, FLANGE, 6X14 (CT200)	3	
026	90017-883-000	BOLT, FLANGE, 6X32 (CT200)	1	
027	90022-888-010	BOLT, FLANGE, 6X20 (CT200)	2	
028	90131-ZE1-000	BOLT, DRAIN PLUG	1	
029	90451-ZE1-000	WASHER, THRUST, 6MM	1	
029	90451-ZE1-000	WASHER, THRUST, 6MM	1	
032	90601-ZE1-000	WASHER, DRAIN PLUG, 10.2MM	1	
033	90602-ZE1-000	CLIP, GOVERNOR HOLDER	1	
036	91231-Z1V-003	OIL SEAL, 6X11X4 (ARAI)	1	
037	91251-Z1V-003	OIL SEAL, 25X38X7 (ARAI)	1	
038	91252-Z1V-003	OIL SEAL, 25.4X40X7	1	
039	91301-Z1V-003	O-RING, 22.1X2.2	1	
040	91302-Z1V-003	O-RING, 25.5X3	1	
042	94101-06800	WASHER, PLAIN, 6MM	2	
043	94251-08000	PIN, LOCK, 8MM	1	
044	94301-08140	DOWEL PIN, 8X14	2	
045	95701-0601208	BOLT, FLANGE, 6X12	1	
046	95701-0805000	BOLT, FLANGE, 8X50	6	
047	96100-6205000	BEARING, RADIAL BALL, 6205	1	
051	16511-ZE1-000	WEIGHT, GOVERNOR	2	
052	16512-ZE6-000	HOLDER, GOVERNOR WEIGHT	1	
053	16513-ZE1-000	PIN, GOVERNOR WEIGHT	2	
054	90014-952-000	BOLT, FLANGE, 6X14 (CT200)	1	
055	12125-Z1V-G00	PLATE, GUIDE	1	
056	17560-Z1V-G00	STAY COMP., FAN COVER	1	



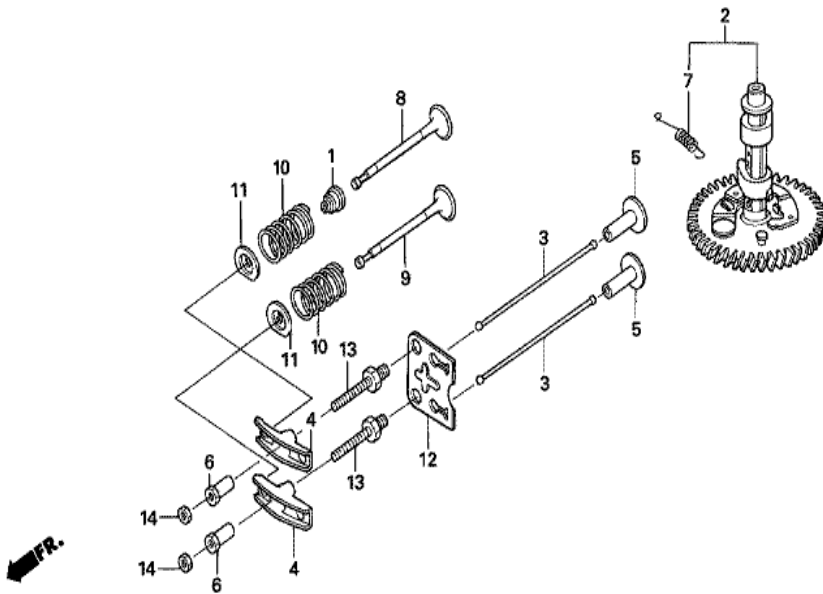
Z4P0E07000

Ref	Partnumber	Description	GXV160UH2	Serial Numbers
012	90401-ZE7-W00	WASHER, THRUST, 25.6MM	1	
017	13310-Z4P-800	CRANKSHAFT COMP.	1	



Z4P0E0800

<u>Ref</u>	<u>Partnumber</u>	<u>Description</u>	<u>GXV160UH2</u>	<u>Serial Numbers</u>
001	13010-Z4K-004	RING SET, PISTON (STD.) (TPR)	1	
001	13010-Z4P-003	RING SET, PISTON (STD.) (RIKEN)	1	
001	13011-Z4K-004	RING SET, PISTON (0.25) (TPR)	(1)	
001	13011-Z4P-003	RING SET, PISTON (0.25) (RIKEN)	(1)	
001	13012-Z4K-004	RING SET, PISTON (0.50) (TPR)	(1)	
001	13012-Z4P-003	RING SET, PISTON (0.50) (RIKEN)	(1)	
001	13013-Z4K-004	RING SET, PISTON (0.75) (TPR)	(1)	
001	13013-Z4P-003	RING SET, PISTON (0.75) (RIKEN)	(1)	
002	13101-Z1T-010	PISTON (STD.) (JIALING-HONDA)	1	
002	13102-ZH8-020	PISTON (0.25)	(1)	
002	13103-ZH8-020	PISTON (0.50)	(1)	
002	13104-ZH8-020	PISTON (0.75)	(1)	
003	13111-Z1T-000	PIN, PISTON	1	
<u>Ref</u>	<u>Partnumber</u>	<u>Description</u>	<u>GXV160UH2</u>	<u>Serial Numbers</u>
004	13200-Z1V-000	ROD ASSY., CONNECTING	1	
005	90001-ZE1-000	BOLT, CONNECTING ROD	2	
006	90551-ZE1-000	CLIP, PISTON PIN, 18MM	2	



Z4P0-E0900

<u>Ref</u>	<u>Partnumber</u>	<u>Description</u>	<u>GXV160UH2</u>	<u>Serial Numbers</u>
001	12209-ZE6-003	SEAL, VALVE STEM	1	
002	14100-ZE7-000	CAMSHAFT ASSY.	1	
003	14410-ZE1-010	ROD, PUSH	2	
004	14431-ZE1-000	ARM, VALVE ROCKER	2	
005	14441-ZE1-010	LIFTER, VALVE	2	
006	14451-Z7E-000	PIVOT, ROCKER ARM	2	
006	14451-Z7E-000	PIVOT, ROCKER ARM	2	
007	14568-ZE1-000	SPRING, WEIGHT RETURN	1	
008	14711-ZF1-000	VALVE, IN.	1	
009	14721-ZE7-000	VALVE, EX.	1	
010	14751-ZE1-000	SPRING, VALVE	2	
011	14771-ZE1-000	RETAINER, IN. VALVE SPRING	2	
012	14791-ZE1-010	PLATE, PUSH ROD GUIDE	1	
<u>Ref</u>	<u>Partnumber</u>	<u>Description</u>	<u>GXV160UH2</u>	<u>Serial Numbers</u>
013	90012-ZE0-010	BOLT, PIVOT, 8MM	2	
014	90206-ZE1-000	NUT, PIVOT ADJUSTING	2	