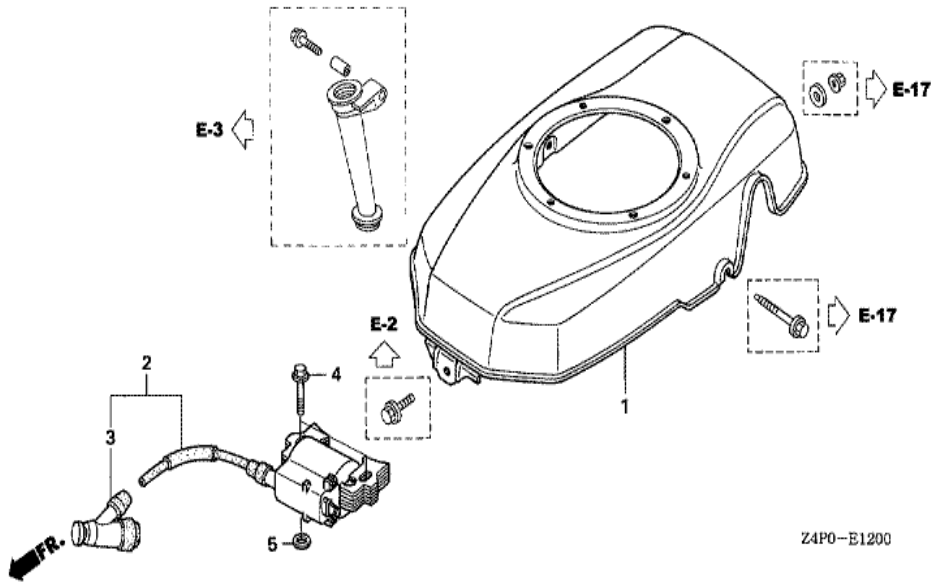
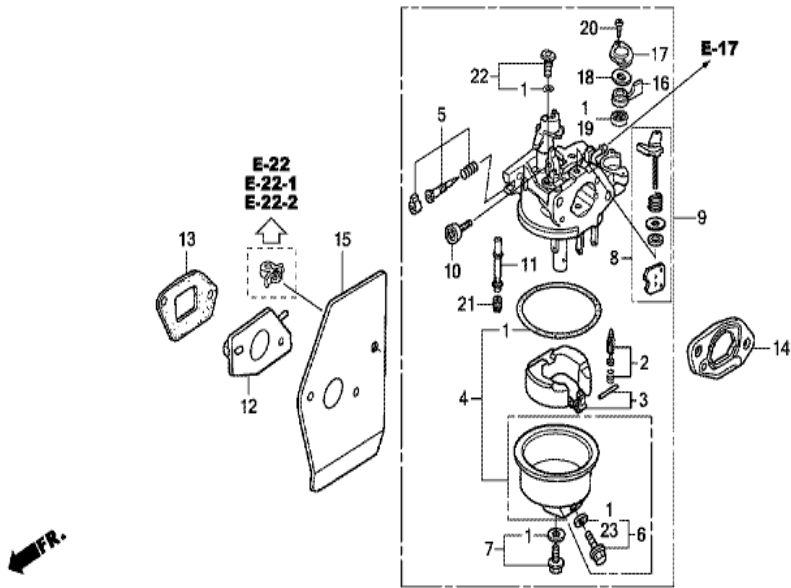


| Ref | Partnumber | Description | GXV160UH2 | Serial Numbers |
|-----|-----------------|--|-----------|----------------|
| 001 | 28400-Z1V-801ZA | STARTER ASSY., RECOIL (LONG ROPE) *NH1 * | 1 | 1090101 |
| 001 | 28400-Z1V-801ZA | STARTER ASSY., RECOIL (LONG ROPE) *NH1 * | 1 | |
| 002 | 28410-Z1V-003ZB | CASE COMP., RECOIL STARTER *NH1 * | 1 | |
| 002 | 28410-Z1V-003ZB | CASE COMP., RECOIL STARTER *NH1 * | 1 | |
| 003 | 28420-Z1V-003 | REEL, RECOIL STARTER (BLACK) | 1 | |
| 004 | 28422-ZH8-801 | RATCHET, STARTER | 2 | |
| 005 | 28431-ZH8-801 | PLATE, FRICTION | 1 | |
| 006 | 28433-ZH8-801 | GUIDE, RATCHET | 1 | |
| 007 | 28441-ZH8-801 | SPRING, FRICTION | 1 | |
| 008 | 28442-ZH8-003 | SPRING, RECOIL STARTER | 1 | |
| 009 | 28443-ZH8-801 | SPRING, RETURN | 2 | |
| 010 | 28461-ZE1-003 | KNOB, RECOIL STARTER | 1 | |
| 012 | 28462-Z1V-801 | ROPE, RECOIL STARTER (LONG) (2360MM) | 1 | |
| Ref | Partnumber | Description | GXV160UH2 | Serial Numbers |
| 013 | 90003-ZH8-801 | SCREW, SETTING | 1 | |
| 014 | 95701-0600800 | BOLT, FLANGE, 6X8 | 3 | |



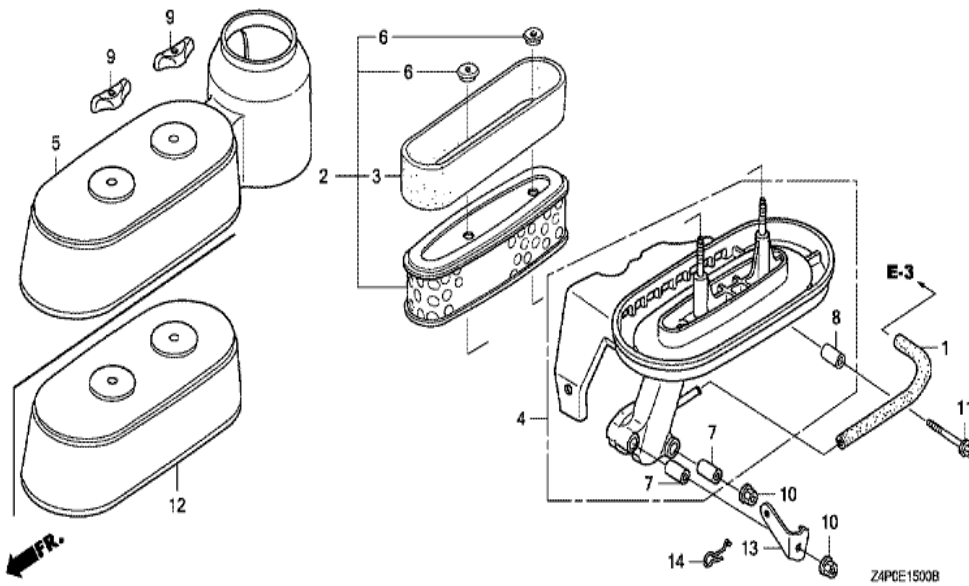
| Ref | Partnumber | Description | GXV160UH2 | Serial Numbers |
|-----|-----------------|-----------------------------|-----------|----------------|
| 001 | 19610-Z1V-000ZB | COVER COMP., FAN *NH1 * | 1 | |
| 001 | 19610-Z1V-000ZB | COVER COMP., FAN *NH1 * | 1 | |
| 002 | 30500-Z1V-013 | COIL ASSY., IGNITION | 1 | |
| 002 | 30500-Z1V-013 | COIL ASSY., IGNITION | 1 | |
| 003 | 30700-Z1V-003 | CAP ASSY., NOISE SUPPRESSOR | 1 | |
| 004 | 90015-883-000 | BOLT, FLANGE, 6X28 (CT200) | 2 | |
| 005 | 90581-Z1V-000 | WASHER, PLAIN, 6MM | 2 | |



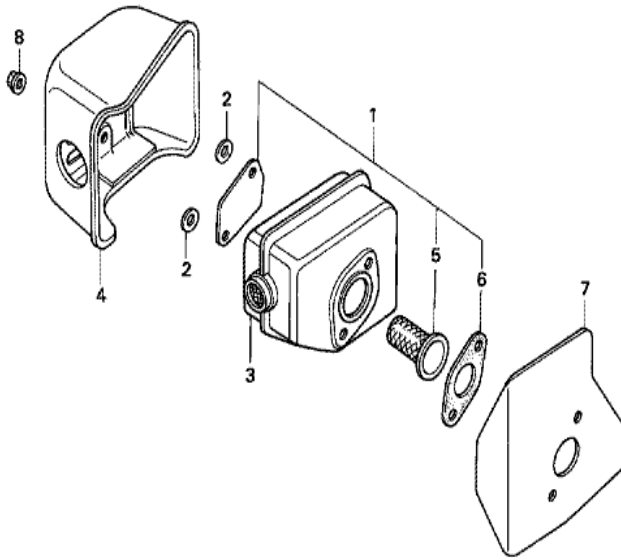
Z4PDE1400C

| Ref | Partnumber | Description | GXV160UH2 | Serial Numbers |
|-----|---------------|--------------------|-----------|----------------|
| 001 | 16010-ZE0-025 | GASKET SET | 1 | |
| 001 | 16010-ZE0-025 | GASKET SET | 1 | BE66R A |
| 001 | 16010-ZE6-G00 | GASKET SET | 1 | BE66Q A |
| 001 | 16010-ZE6-G00 | GASKET SET | 1 | BE66Q A |
| 001 | 16010-ZE6-G00 | GASKET SET | 1 | BE66Q A |
| 002 | 16011-ZE0-005 | VALVE SET, FLOAT | 1 | |
| 003 | 16013-ZOS-B01 | FLOAT SET | 1 | |
| 003 | 16013-ZOS-B01 | FLOAT SET | 1 | BE66N A |
| 003 | 16013-ZOS-B01 | FLOAT SET | 1 | |
| 004 | 16015-ZE0-831 | CHAMBER SET, FLOAT | 1 | |
| 004 | 16015-ZE0-831 | CHAMBER SET, FLOAT | 1 | BE66R A |
| 004 | 16015-ZH7-A21 | CHAMBER SET, FLOAT | 1 | BE66Q A |
| 004 | 16015-ZH7-A21 | CHAMBER SET, FLOAT | 1 | BE66Q A |

| <u>Ref</u> | <u>Partnumber</u> | <u>Description</u> | <u>GXV160UH2</u> | <u>Serial Numbers</u> |
|------------|-------------------|--------------------------------|------------------|-----------------------|
| 004 | 16015-ZH7-A21 | CHAMBER SET, FLOAT | 1 | BE66Q A |
| 005 | 16016-ZH7-W01 | SCREW SET, PILOT | 1 | |
| 006 | 16024-ZE1-811 | SCREW SET, DRAIN | 1 | |
| 006 | 16024-ZE1-811 | SCREW SET, DRAIN | 1 | BE66R A |
| 006 | 16024-ZH7-A20 | SCREW SET, DRAIN | 1 | BE66Q A |
| 006 | 16024-ZH7-A20 | SCREW SET, DRAIN | 1 | BE66Q A |
| 006 | 16024-ZH7-A20 | SCREW SET, DRAIN | 1 | BE66Q A |
| 007 | 16028-ZE0-005 | SCREW SET | 1 | |
| 008 | 16045-Z1V-G01 | CHOKE SET | 1 | |
| 008 | 16045-Z1V-G01 | CHOKE SET | 1 | BE66N A |
| 008 | 16045-Z1V-G01 | CHOKE SET | 1 | |
| 009 | 16100-Z1V-811 | CARBURETOR ASSY. (BE66R A) | 1 | 1158544 |
| 009 | 16100-Z1V-811 | CARBURETOR ASSY. (BE66R A) | 1 | 1158544 |
| 009 | 16100-Z1V-811 | CARBURETOR ASSY. (BE66R A) | 1 | 1158544 |
| 009 | 16100-Z1V-G01 | CARBURETOR ASSY. (BE66Q A/B) | 1 | 1158545 |
| 009 | 16100-Z1V-G01 | CARBURETOR ASSY. (BE66Q A/B) | 1 | 1158545 1275519 |
| 009 | 16100-Z1V-G01 | CARBURETOR ASSY. (BE66Q A/B) | 1 | 1158545 1275519 |
| 009 | 16100-Z4P-811 | CARBURETOR ASSY. (BEA2D A) | 1 | 1275520 |
| 009 | 16100-Z4P-811 | CARBURETOR ASSY. (BEA2D A) | 1 | 1275520 |
| 010 | 16124-ZE0-005 | SCREW, THROTTLE STOP | 1 | |
| 011 | 16166-Z1V-801 | NOZZLE, MAIN | 1 | |
| 011 | 16166-Z1V-801 | NOZZLE, MAIN | 1 | |
| 012 | 16211-ZE7-000 | INSULATOR, CARBURETOR | 1 | |
| 013 | 16212-ZE7-M10 | PACKING, INSULATOR | 1 | |
| 013 | 16212-ZE7-M10 | PACKING, INSULATOR | 1 | |
| 014 | 16220-ZE6-010 | SPACER COMP., CARBURETOR | 1 | |
| 015 | 16221-ZE7-M11 | PACKING, CARBURETOR | 1 | |
| 015 | 16221-ZE7-M11 | PACKING, CARBURETOR | 1 | |
| 016 | 16953-ZE1-812 | LEVER, COCK | 1 | |
| 017 | 16954-ZE1-812 | PLATE, LEVER SETTING | 1 | |
| 018 | 16956-ZE1-811 | SPRING, COCK LEVER | 1 | |
| 019 | 16957-ZE1-812 | PACKING, FUEL COCK | 1 | |
| 020 | 93500-030061H | SCREW, PAN, 3X6 | 2 | |
| <u>Ref</u> | <u>Partnumber</u> | <u>Description</u> | <u>GXV160UH2</u> | <u>Serial Numbers</u> |
| 021 | 99101-ZH80620 | JET, MAIN, #62 | (1) | |
| 021 | 99101-ZH80620 | JET, MAIN, #62 | (1) | |
| 021 | 99101-ZH80650 | JET, MAIN, #65 | (1) | BE66N A |
| 021 | 99101-ZH80650 | JET, MAIN, #65 | (1) | |
| 021 | 99101-ZH80680 | JET, MAIN, #68 | 1 | BE66N A |
| 021 | 99101-ZH80680 | JET, MAIN, #68 | 1 | |
| 022 | 99204-ZE00350 | JET SET, PILOT, #35 | 1 | |
| 023 | 16141-ZOS-003 | WASHER, PLAIN (6.2X10.7 DRAIN) | 1 | |
| 023 | 16141-ZOS-003 | WASHER, PLAIN (6.2X10.7 DRAIN) | 1 | |

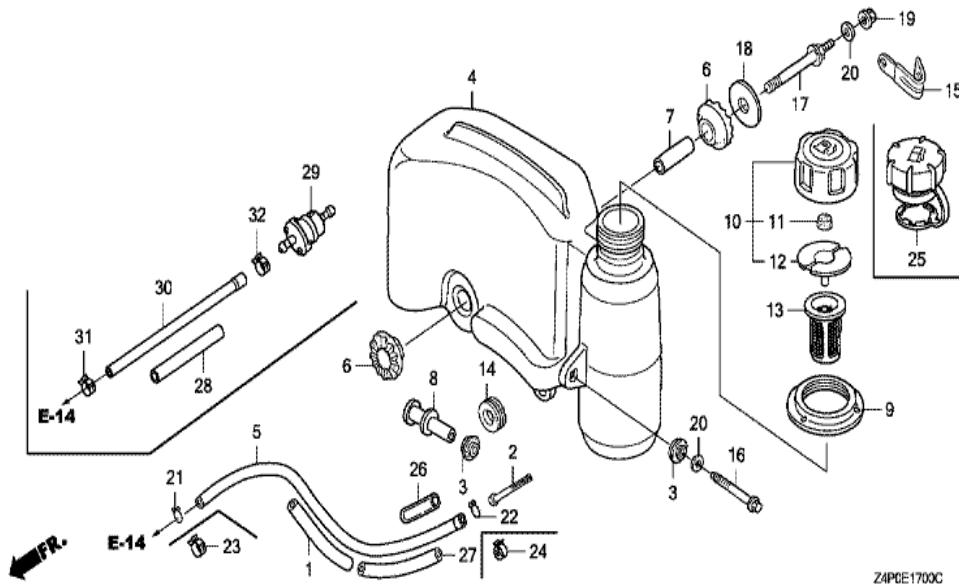


| Ref | Partnumber | Description | GXV160UH2 | Serial Numbers |
|-----|---------------|-------------------------|-----------|----------------|
| 001 | 15721-ZE7-000 | TUBE, BREATHER | 1 | |
| 002 | 17210-Z1V-003 | ELEMENT, AIR CLEANER | 1 | |
| 003 | 17218-888-003 | FILTER, OUTER | 1 | |
| 004 | 17220-Z1V-000 | CASE COMP., AIR CLEANER | 1 | |
| 006 | 17232-891-000 | GROMMET, AIR CLEANER | 2 | |
| 007 | 17238-ZE7-710 | COLLAR, AIR CLEANER | 2 | |
| 008 | 17239-ZE6-300 | COLLAR B, AIR CLEANER | 1 | |
| 009 | 90300-Z1V-000 | NUT, AIR CLEANER | 2 | |
| 010 | 94050-06000 | NUT, FLANGE, 6MM | 2 | |
| 011 | 95701-0603500 | BOLT, FLANGE, 6X35 | 1 | |
| 012 | 17231-Z1V-G01 | COVER, AIR CLEANER | 1 | |



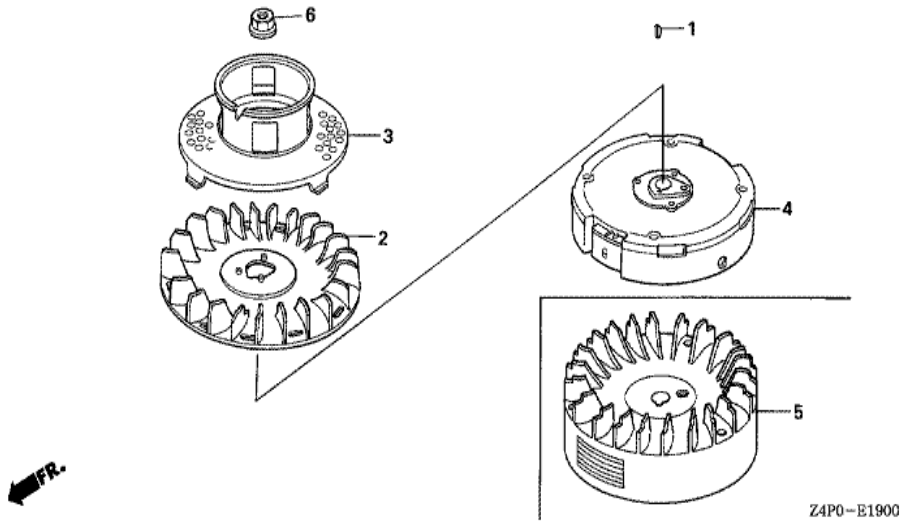
Z4P0-E1600

| Ref | Partnumber | Description | GXV160UH2 | Serial Numbers |
|-----|---------------|--------------------------|-----------|----------------|
| 001 | 06180-ZE6-820 | ARRESTER KIT, SPARK | (1) | |
| 001 | 06180-ZE6-820 | ARRESTER KIT, SPARK | (1) | |
| 002 | 18292-ZE7-M10 | PACKING, PROTECTOR | 2 | |
| 003 | 18310-Z1V-000 | MUFFLER COMP. | 1 | |
| 004 | 18320-Z1V-000 | PROTECTOR COMP., MUFFLER | 1 | |
| 005 | 18355-888-810 | ARRESTER, SPARK | (1) | |
| 005 | 18355-888-810 | ARRESTER, SPARK | (1) | |
| 006 | 18381-ZE6-820 | GASKET, MUFFLER | (1) | |
| 006 | 18381-ZE6-820 | GASKET, MUFFLER | (1) | |
| 007 | 18381-Z1V-000 | GASKET, MUFFLER | 1 | |
| 008 | 90343-ZE6-000 | NUT, SELF-LOCK, 6MM | 2 | |



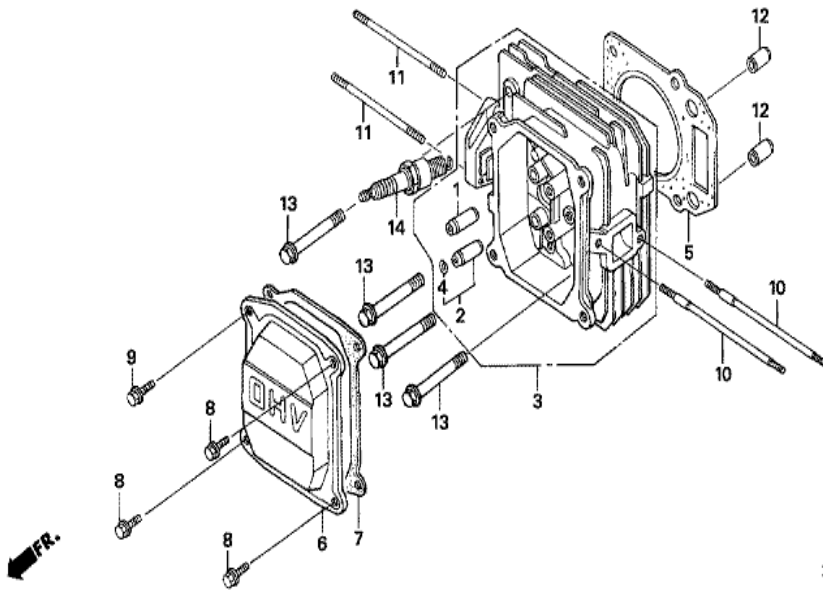
Z4PGE1700C

| Ref | Partnumber | Description | GXV160UH2 | Serial Numbers |
|-----|---------------|--|-----------|-----------------|
| 001 | 16854-ZH8-000 | RUBBER, SUPPORTER (107MM) | 1 | |
| 001 | 16854-ZH8-000 | RUBBER, SUPPORTER (107MM) | 1 | |
| 002 | 16952-Z1V-000 | STRAINER, FUEL | 1 | |
| 003 | 17506-ZE7-000 | RUBBER, TANK SETTING | 2 | |
| 004 | 17510-Z4P-800 | TANK COMP., FUEL | 1 | 1239370 |
| 004 | 17510-Z4P-800 | TANK COMP., FUEL | 1 | 1239370 |
| 004 | 17510-Z4P-810 | TANK COMP., FUEL | 1 | 1239371 |
| 004 | 17510-Z4P-810 | TANK COMP., FUEL | 1 | 1239371 |
| 005 | 17512-Z4P-013 | TUBE, FUEL (FKM) | 1 | 1123369 |
| 005 | 17512-Z4P-013 | TUBE, FUEL (FKM) | 1 | 1038740 1123369 |
| 005 | 17512-Z4P-023 | TUBE, FUEL (FKM) | 1 | 1274133 |
| 005 | 17512-Z4P-023 | TUBE, FUEL (FKM) | 1 | 1123370 1274133 |
| 005 | 17512-Z4P-023 | TUBE, FUEL (FKM) | 1 | 1123370 1274133 |
| Ref | Partnumber | Description | GXV160UH2 | Serial Numbers |
| 005 | 17512-Z4P-811 | TUBE, FUEL (FKM) | 1 | 1274134 |
| 005 | 17512-Z4P-811 | TUBE, FUEL (FKM) | 1 | 1274134 |
| 006 | 17516-896-700 | RUBBER B, TANK MOUNTING | 2 | |
| 007 | 17518-Z1V-000 | COLLAR, TANK SET | 1 | |
| 008 | 17519-Z1V-000 | COLLAR COMP., TANK | 1 | |
| 013 | 17636-Z1V-010 | GAUGE, FUEL LEVEL | 1 | |
| 014 | 80103-MG2-000 | CUSHION, RR. FENDER | 1 | |
| 016 | 90014-Z1V-000 | BOLT, FLANGE, 6X47 (CT200) | 1 | |
| 017 | 90016-Z1V-000 | BOLT, TANK STAY | 1 | |
| 018 | 90455-896-700 | WASHER, TANK MOUNTING | 1 | |
| 019 | 94050-06000 | NUT, FLANGE, 6MM | 1 | |
| 020 | 94103-06000 | WASHER, PLAIN, 6MM | 2 | |
| 023 | 95002-4080008 | CLAMP, TUBE (D8) | 1 | |
| 024 | 95002-4105008 | CLAMP, TUBE (D10.5) | 1 | |
| 025 | 17620-Z0J-800 | CAP ASSY., FUEL TANK | 1 | |
| 025 | 17620-Z0J-800 | CAP ASSY., FUEL TANK | 1 | |
| 026 | 95003-2500320 | TUBE, VINYL, 9X11X30 (95003-25001-10M) | 1 | |



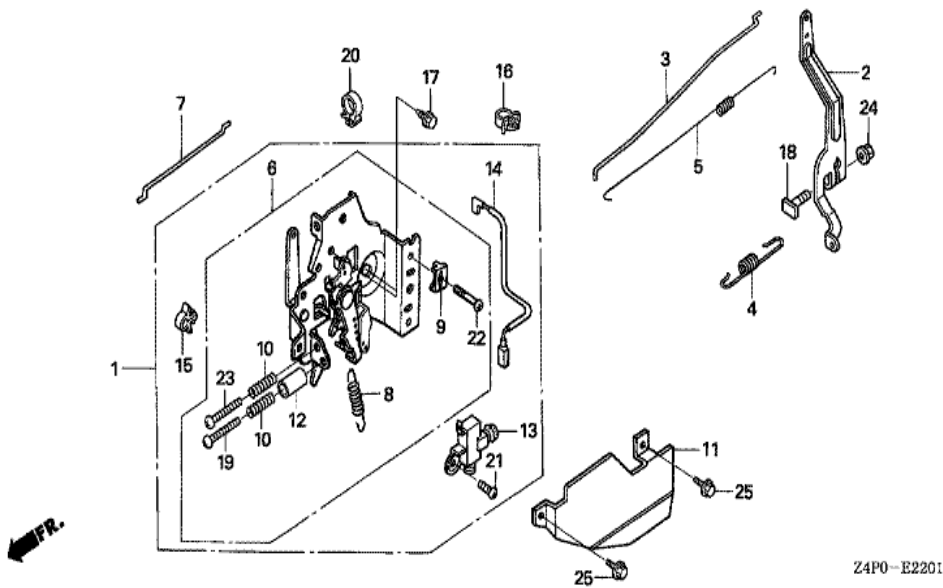
Z4P0-E1900

| Ref | Partnumber | Description | GXV160UH2 | Serial Numbers |
|-----|---------------|------------------------------|-----------|----------------|
| 001 | 13331-357-000 | KEY, SPECIAL WOODRUFF, 25X18 | 1 | |
| 002 | 19511-Z1T-000 | FAN, COOLING | 1 | |
| 003 | 28450-Z1V-000 | PULLEY COMP., STARTER | 1 | |
| 004 | 31110-Z1V-003 | FLYWHEEL COMP. | 1 | |
| 006 | 90201-Z1T-000 | NUT, SPECIAL, 14MM | 1 | |



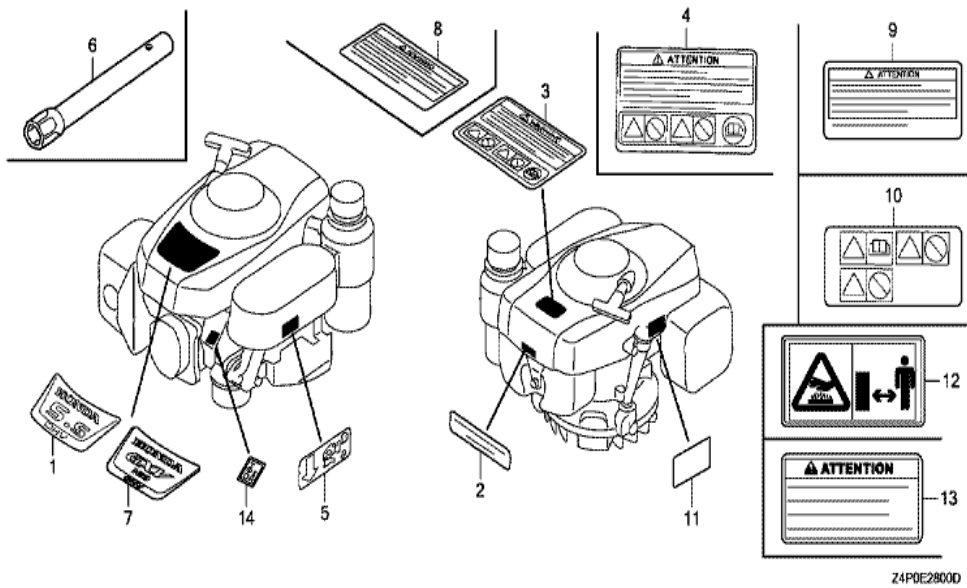
Z4P0-E0200

| Ref | Partnumber | Description | GXV160UH2 | Serial Numbers |
|-----|---------------|--|-----------|----------------|
| 001 | 12204-ZE1-306 | GUIDE, IN. VALVE (OS) | 1 | |
| 002 | 12205-ZE1-315 | GUIDE, EX. VALVE (OS) | 1 | |
| 003 | 12200-ZE7-405 | HEAD COMP., CYLINDER | 1 | |
| 003 | 12200-ZE7-405 | HEAD COMP., CYLINDER | 1 | |
| 004 | 12216-ZE5-300 | CLIP, VALVE GUIDE | 1 | |
| 005 | 12251-Z1V-003 | GASKET, CYLINDER HEAD (GUANGZHOU LEAKLES | 1 | 1116223 |
| 005 | 12251-ZE7-000 | GASKET, CYLINDER HEAD | 1 | 1116222 |
| 005 | 12251-ZE7-000 | GASKET, CYLINDER HEAD | 1 | 1116222 |
| 005 | 12251-ZE7-000 | GASKET, CYLINDER HEAD | 1 | 1116222 |
| 006 | 12311-ZG9-800 | COVER, HEAD | 1 | |
| 007 | 12391-ZE7-M10 | PACKING, HEAD COVER | 1 | |
| 007 | 12391-ZE7-M10 | PACKING, HEAD COVER | 1 | |
| 008 | 90014-952-000 | BOLT, FLANGE, 6X14 (CT200) | 3 | |
| Ref | Partnumber | Description | GXV160UH2 | Serial Numbers |
| 009 | 90014-952-000 | BOLT, FLANGE, 6X14 (CT200) | 1 | |
| 010 | 90043-ZE6-000 | BOLT, STUD, 6X109 | 2 | |
| 011 | 90048-ZC3-000 | BOLT, STUD, 6X85 | 2 | |
| 012 | 94301-10160 | DOWEL PIN, 10X16 | 2 | |
| 013 | 95701-0805000 | BOLT, FLANGE, 8X50 | 4 | |
| 014 | 98079-54846 | PLUG, SPARK (BPR4ES) (NGK) | (1) | |
| 014 | 98079-54855 | PLUG, SPARK (W14EPR-U) (DENSO) | (1) | |
| 014 | 98079-54855 | PLUG, SPARK (W14EPR-U) (DENSO) | (1) | |
| 014 | 98079-55846 | PLUG, SPARK (BPR5ES) (NGK) | 1 | |
| 014 | 98079-55846 | PLUG, SPARK (BPR5ES) (NGK) | 1 | |
| 014 | 98079-55855 | PLUG, SPARK (W16EPR-U) (DENSO) | 1 | |
| 014 | 98079-55855 | PLUG, SPARK (W16EPR-U) (DENSO) | 1 | |
| 014 | 98079-56846 | PLUG, SPARK (BPR6ES) (NGK) | (1) | |
| 014 | 98079-56846 | PLUG, SPARK (BPR6ES) (NGK) | (1) | |
| 014 | 98079-56855 | PLUG, SPARK (W20EPR-U) (DENSO) | (1) | |
| 014 | 98079-56855 | PLUG, SPARK (W20EPR-U) (DENSO) | (1) | |



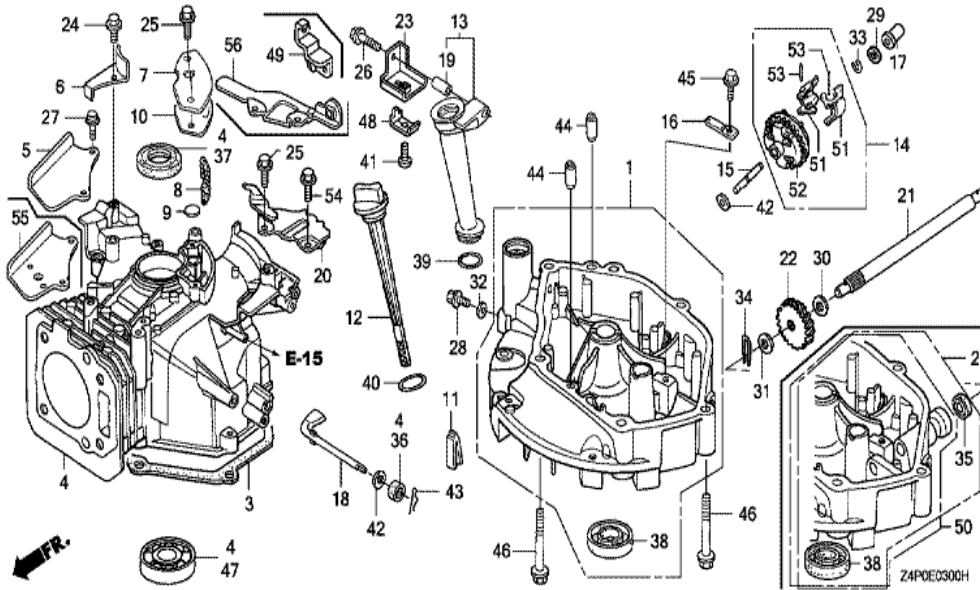
Z4P0-E2201

| <u>Ref</u> | <u>Partnumber</u> | <u>Description</u> | <u>GXV160UH2</u> | <u>Serial Numbers</u> |
|------------|-------------------|----------------------------|------------------|-----------------------|
| 001 | 16500-ZE7-W11 | CONTROL ASSY. (EN) (STD.) | 1 | |
| 002 | 16551-ZE7-000 | ARM, GOVERNOR | 1 | |
| 003 | 16555-ZE7-000 | ROD, GOVERNOR | 1 | |
| 004 | 16561-ZE7-020 | SPRING, GOVERNOR | 1 | |
| 005 | 16562-ZE6-000 | SPRING, THROTTLE RETURN | 1 | |
| 006 | 16570-ZE7-W00 | CONTROL COMP. (STD.) | 1 | |
| 007 | 16573-ZE7-000 | ROD, CHOKE | 1 | |
| 008 | 16576-ZE7-300 | SPRING, LEVER | 1 | |
| 009 | 16576-891-000 | HOLDER, CABLE | 1 | |
| 010 | 16584-883-300 | SPRING, CONTROL ADJUSTING | 2 | |
| 011 | 16585-ZE7-000 | PROTECTOR, CONTROL | 1 | |
| 012 | 16599-ZG1-M10 | COLLAR, STOPPER | 1 | |
| 013 | 36100-ZE7-013 | SWITCH ASSY., ENGINE STOP | 1 | |
| <u>Ref</u> | <u>Partnumber</u> | <u>Description</u> | <u>GXV160UH2</u> | <u>Serial Numbers</u> |
| 014 | 36101-ZE7-020 | CORD, STOP SWITCH | 1 | |
| 015 | 36103-ZE1-000 | HOLDER, STOP SWITCH CORD | 1 | |
| 016 | 46392-SC2-003 | CLAMP, BRAKE PIPE (GRAY) | 1 | |
| 017 | 90013-883-000 | BOLT, FLANGE, 6X12 (CT200) | 2 | |
| 018 | 90015-ZE5-010 | BOLT, GOVERNOR ARM | 1 | |
| 019 | 90016-ZE7-W00 | SCREW, RECESSED, 5X28 | 1 | |
| 020 | 90659-680-013 | CLIP, WIRE HARNESS | 1 | |
| 021 | 93500-040080A | SCREW, PAN, 4X8 | 1 | |
| 022 | 93500-050160A | SCREW, PAN, 5X16 | 1 | |
| 023 | 93500-050200A | SCREW, PAN, 5X20 | 1 | |
| 024 | 94050-06000 | NUT, FLANGE, 6MM | 1 | |
| 025 | 95701-0601000 | BOLT, FLANGE, 6X10 | 2 | |



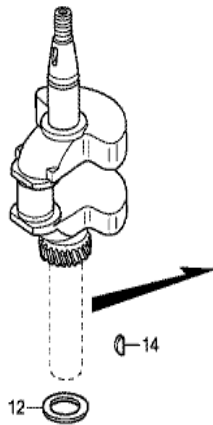
Z4P0E2800D

| <u>Ref</u> | <u>Partnumber</u> | <u>Description</u> | <u>GXV160UH2</u> | <u>Serial Numbers</u> |
|------------|-------------------|--|------------------|-----------------------|
| 002 | 87504-Z1V-000 | MARK, MANUFACTURER | 1 | |
| 003 | 87516-Z4N-000 | MARK, OPERATOR CAUTION (ENGLISH) (MADE I | 1 | 1133623 |
| 003 | 87516-Z4N-810 | MARK, OPERATOR CAUTION (PICTOGRAPH) (MAD | (1) | 1133623 |
| 003 | 87516-Z4N-810 | MARK, OPERATOR CAUTION (PICTOGRAPH) (MAD | (1) | 1133623 |
| 004 | 87516-Z4N-800 | MARK, OPERATOR CAUTION (FRENCH) (MADE IN | 1 | 1133623 |
| 005 | 87524-Z1V-000 | MARK, FUEL COCK CAUTION | 1 | |
| 007 | 87101-Z1V-020 | MARK, EMBLEM (GXV160) | 1 | |
| 008 | 87516-Z4N-010 | MARK, OPERATOR CAUTION (ENGLISH) | 1 | |
| 008 | 87516-Z4N-010 | MARK, OPERATOR CAUTION (ENGLISH) | 1 | 1133624 |
| 009 | 87516-Z4N-801 | MARK, OPERATOR CAUTION (FRENCH) | 1 | 1133624 |
| 010 | 87519-Z4N-000 | MARK, OPERATOR CAUTION (PICTOGRAPH) | 1 | |
| 010 | 87519-Z4N-000 | MARK, OPERATOR CAUTION (PICTOGRAPH) | 1 | 1133624 |
| 011 | 87539-Z0J-000 | MARK, EX. CAUTION (ENGLISH) | 1 | |
| <u>Ref</u> | <u>Partnumber</u> | <u>Description</u> | <u>GXV160UH2</u> | <u>Serial Numbers</u> |
| 011 | 87539-Z0J-000 | MARK, EX. CAUTION (ENGLISH) | 1 | 1133624 |
| 011 | 87539-Z0J-810 | MARK, EX. CAUTION (FRENCH) | 1 | 1133624 |
| 011 | 87539-Z0J-810 | MARK, EX. CAUTION (FRENCH) | 1 | 1133624 |

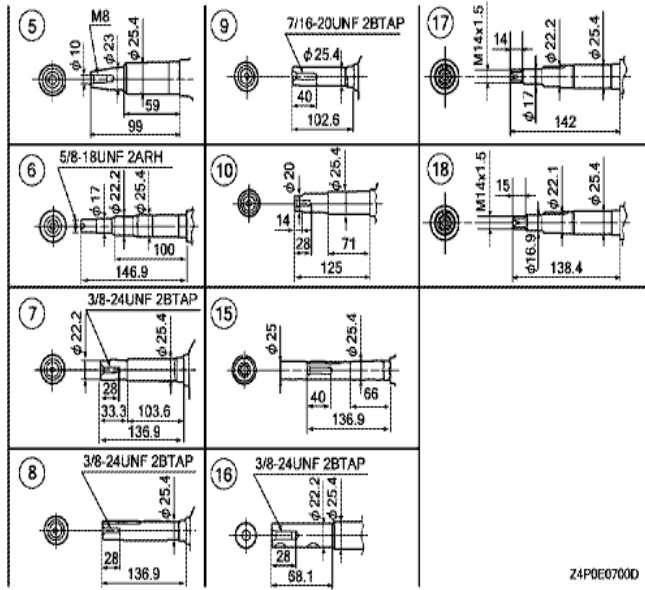


| Ref | Partnumber | Description | GXV160UH2 | Serial Numbers |
|-----|---------------|-------------------------|-----------|----------------|
| 001 | 11300-Z1V-406 | PAN ASSY., OIL | 1 | |
| 001 | 11300-Z1V-406 | PAN ASSY., OIL | 1 | |
| 003 | 11381-ZE7-M10 | PACKING, OIL PAN | 1 | |
| 003 | 11381-ZE7-M10 | PACKING, OIL PAN | 1 | |
| 004 | 12000-Z2J-405 | BARREL ASSY., CYLINDER | 1 | |
| 005 | 12125-Z1V-000 | PLATE, GUIDE | 1 | |
| 006 | 12126-Z1V-000 | PLATE A, GUIDE | 1 | |
| 007 | 12355-Z1V-000 | COVER COMP., BREATHER | 1 | |
| 008 | 12367-883-003 | FILTER, BREATHER | 1 | |
| 009 | 12372-ZE7-000 | VALVE, BREATHER | 1 | |
| 010 | 12373-ZE7-000 | PACKING, BREATHER COVER | 1 | |
| 011 | 15335-ZE7-000 | RUBBER, OIL RETURN | 1 | |
| 012 | 15620-ZE6-810 | GAUGE COMP., OIL LEVEL | 1 | |

| <u>Ref</u> | <u>Partnumber</u> | <u>Description</u> | <u>GXV160UH2</u> | <u>Serial Numbers</u> |
|------------|-------------------|------------------------------|------------------|-----------------------|
| 013 | 15630-ZE6-810 | EXTENSION, OIL FILLER | 1 | |
| 014 | 16510-ZE6-000 | GOVERNOR ASSY. | 1 | |
| 015 | 16515-ZE6-010 | SHAFT, GOVERNOR HOLDER | 1 | |
| 016 | 16525-ZE6-010 | PLATE, GOVERNOR SHAFT HOLDER | 1 | |
| 017 | 16531-Z1T-000 | SLIDER, GOVERNOR | 1 | |
| 018 | 16541-ZE7-000 | SHAFT, GOVERNOR ARM | 1 | |
| 019 | 17240-ZE6-000 | COLLAR, EXTENSION | 1 | |
| 020 | 17560-Z1V-000 | STAY COMP., TANK | 1 | |
| 024 | 90013-883-000 | BOLT, FLANGE, 6X12 (CT200) | 1 | |
| 025 | 90014-952-000 | BOLT, FLANGE, 6X14 (CT200) | 3 | |
| 025 | 90014-952-000 | BOLT, FLANGE, 6X14 (CT200) | 3 | |
| 026 | 90017-883-000 | BOLT, FLANGE, 6X32 (CT200) | 1 | |
| 027 | 90022-888-010 | BOLT, FLANGE, 6X20 (CT200) | 2 | |
| 028 | 90131-ZE1-000 | BOLT, DRAIN PLUG | 1 | |
| 029 | 90451-ZE1-000 | WASHER, THRUST, 6MM | 1 | |
| 029 | 90451-ZE1-000 | WASHER, THRUST, 6MM | 1 | |
| 032 | 90601-ZE1-000 | WASHER, DRAIN PLUG, 10.2MM | 1 | |
| 033 | 90602-ZE1-000 | CLIP, GOVERNOR HOLDER | 1 | |
| 036 | 91231-Z1V-003 | OIL SEAL, 6X11X4 (ARAI) | 1 | |
| 037 | 91251-Z1V-003 | OIL SEAL, 25X38X7 (ARAI) | 1 | |
| 038 | 91252-Z1V-003 | OIL SEAL, 25.4X40X7 | 1 | |
| 039 | 91301-Z1V-003 | O-RING, 22.1X2.2 | 1 | |
| 040 | 91302-Z1V-003 | O-RING, 25.5X3 | 1 | |
| 042 | 94101-06800 | WASHER, PLAIN, 6MM | 2 | |
| 043 | 94251-08000 | PIN, LOCK, 8MM | 1 | |
| 044 | 94301-08140 | DOWEL PIN, 8X14 | 2 | |
| 045 | 95701-0601208 | BOLT, FLANGE, 6X12 | 1 | |
| 046 | 95701-0805000 | BOLT, FLANGE, 8X50 | 6 | |
| 047 | 96100-6205000 | BEARING, RADIAL BALL, 6205 | 1 | |
| 051 | 16511-ZE1-000 | WEIGHT, GOVERNOR | 2 | |
| 052 | 16512-ZE6-000 | HOLDER, GOVERNOR WEIGHT | 1 | |
| 053 | 16513-ZE1-000 | PIN, GOVERNOR WEIGHT | 2 | |
| 054 | 90014-952-000 | BOLT, FLANGE, 6X14 (CT200) | 1 | |

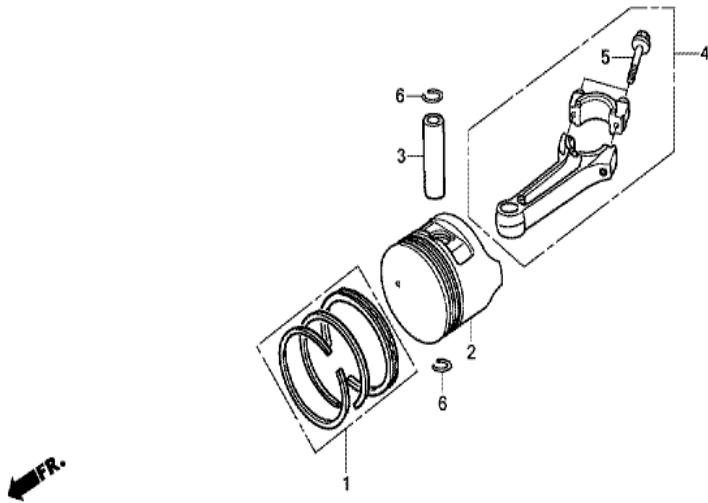


FR.



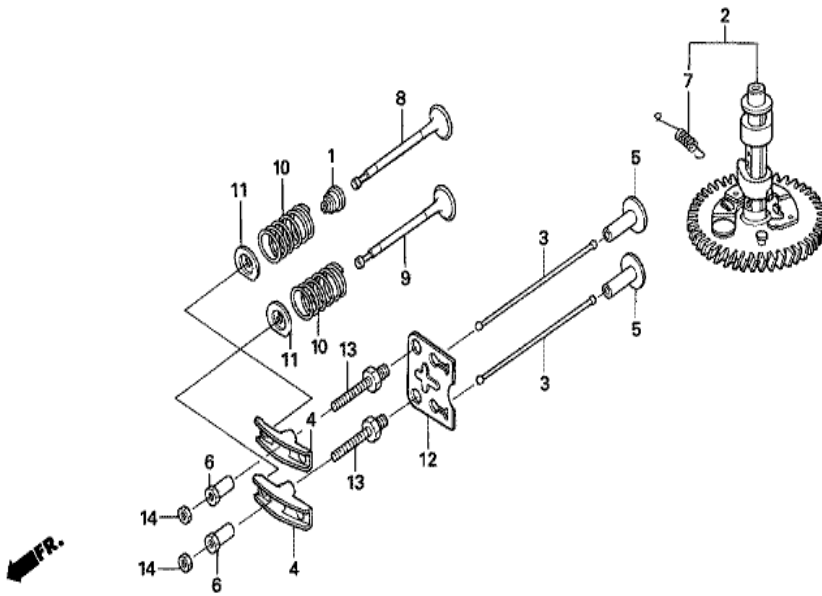
Z4P0E07000

| Ref | Partnumber | Description | GXV160UH2 | Serial Numbers |
|-----|---------------|------------------------|-----------|----------------|
| 007 | 13310-ZE7-010 | CRANKSHAFT COMP. | 1 | |
| 012 | 90401-ZE7-W00 | WASHER, THRUST, 25.6MM | 1 | |



Z4P0E0800

| <u>Ref</u> | <u>Partnumber</u> | <u>Description</u> | <u>GXV160UH2</u> | <u>Serial Numbers</u> |
|------------|-------------------|---------------------------------|------------------|-----------------------|
| 001 | 13010-Z4K-004 | RING SET, PISTON (STD.) (TPR) | 1 | |
| 001 | 13010-Z4P-003 | RING SET, PISTON (STD.) (RIKEN) | 1 | |
| 001 | 13011-Z4K-004 | RING SET, PISTON (0.25) (TPR) | (1) | |
| 001 | 13011-Z4P-003 | RING SET, PISTON (0.25) (RIKEN) | (1) | |
| 001 | 13012-Z4K-004 | RING SET, PISTON (0.50) (TPR) | (1) | |
| 001 | 13012-Z4P-003 | RING SET, PISTON (0.50) (RIKEN) | (1) | |
| 001 | 13013-Z4K-004 | RING SET, PISTON (0.75) (TPR) | (1) | |
| 001 | 13013-Z4P-003 | RING SET, PISTON (0.75) (RIKEN) | (1) | |
| 002 | 13101-Z1T-010 | PISTON (STD.) (JIALING-HONDA) | 1 | |
| 002 | 13102-ZH8-020 | PISTON (0.25) | (1) | |
| 002 | 13103-ZH8-020 | PISTON (0.50) | (1) | |
| 002 | 13104-ZH8-020 | PISTON (0.75) | (1) | |
| 003 | 13111-Z1T-000 | PIN, PISTON | 1 | |
| <u>Ref</u> | <u>Partnumber</u> | <u>Description</u> | <u>GXV160UH2</u> | <u>Serial Numbers</u> |
| 004 | 13200-Z1V-000 | ROD ASSY., CONNECTING | 1 | |
| 005 | 90001-ZE1-000 | BOLT, CONNECTING ROD | 2 | |
| 006 | 90551-ZE1-000 | CLIP, PISTON PIN, 18MM | 2 | |



Z4P0-E0900

| <u>Ref</u> | <u>Partnumber</u> | <u>Description</u> | <u>GXV160UH2</u> | <u>Serial Numbers</u> |
|------------|-------------------|----------------------------|------------------|-----------------------|
| 001 | 12209-ZE6-003 | SEAL, VALVE STEM | 1 | |
| 002 | 14100-ZE7-000 | CAMSHAFT ASSY. | 1 | |
| 003 | 14410-ZE1-010 | ROD, PUSH | 2 | |
| 004 | 14431-ZE1-000 | ARM, VALVE ROCKER | 2 | |
| 005 | 14441-ZE1-010 | LIFTER, VALVE | 2 | |
| 006 | 14451-ZE1-013 | PIVOT, ROCKER ARM | 2 | |
| 006 | 14451-ZE1-013 | PIVOT, ROCKER ARM | 2 | |
| 007 | 14568-ZE1-000 | SPRING, WEIGHT RETURN | 1 | |
| 008 | 14711-ZF1-000 | VALVE, IN. | 1 | |
| 009 | 14721-ZE7-000 | VALVE, EX. | 1 | |
| 010 | 14751-ZE1-000 | SPRING, VALVE | 2 | |
| 011 | 14771-ZE1-000 | RETAINER, IN. VALVE SPRING | 2 | |
| 012 | 14791-ZE1-010 | PLATE, PUSH ROD GUIDE | 1 | |
| <u>Ref</u> | <u>Partnumber</u> | <u>Description</u> | <u>GXV160UH2</u> | <u>Serial Numbers</u> |
| 013 | 90012-ZE0-010 | BOLT, PIVOT, 8MM | 2 | |
| 014 | 90206-ZE1-000 | NUT, PIVOT ADJUSTING | 2 | |