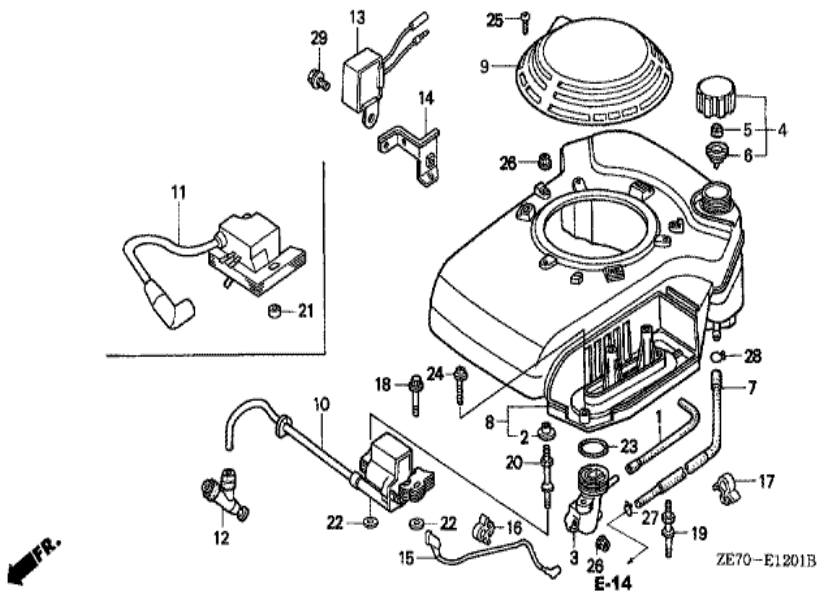
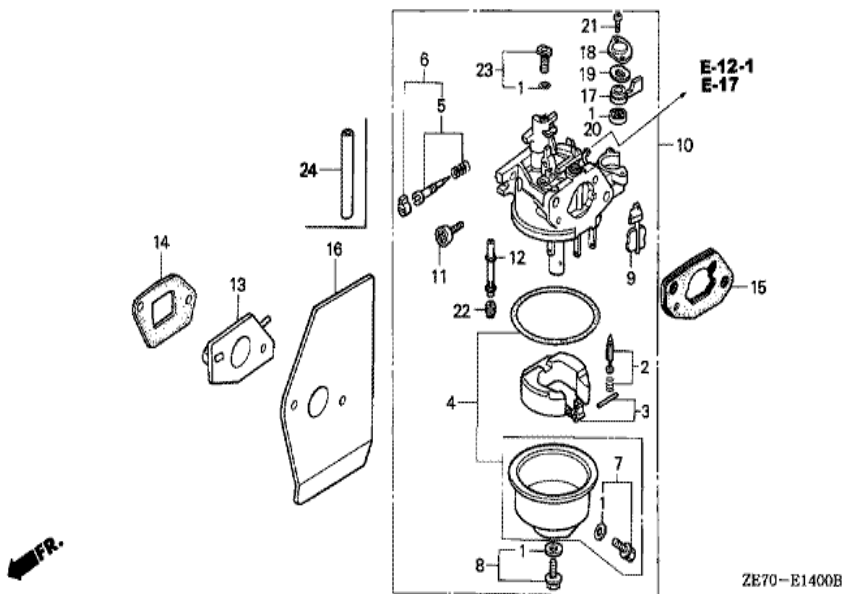


| <u>Ref</u> | <u>Partnumber</u> | <u>Description</u> | <u>GXV160K1</u> | <u>Serial Numbers</u> |
|------------|-------------------|-----------------------|-----------------|-----------------------|
| 001 | 28400-ZG9-802 | STARTER ASSY., RECOIL | 1 | 2043512 |
| 001 | 28400-ZG9-803 | STARTER ASSY., RECOIL | 1 | 2043513 |
| 002 | 28402-ZG9-802 | HOUSING ASSY. | 1 | |
| 003 | 28415-ZG9-802 | PULLEY & SPRING ASSY. | 1 | |
| 004 | 28419-ZG9-802 | PIN, CENTER | 1 | |
| 005 | 28431-ZG9-802 | PLATE A, FRICTION | 1 | |
| 006 | 28432-ZG9-802 | PLATE B, FRICTION | 1 | |
| 007 | 28441-ZG9-802 | SPRING, FRICTION | 1 | |
| 008 | 28444-ZG9-802 | RETAINER | 1 | |
| 009 | 28461-ZE6-T02 | HANDLE | 1 | |
| 011 | 28462-ZG9-802 | ROPE, RECOIL STARTER | 1 | |
| 012 | 28463-ZE6-T02 | HANDLE, REINFORCEMENT | 1 | |
| 013 | 28485-ZE6-T02 | DOG | 2 | |
| <u>Ref</u> | <u>Partnumber</u> | <u>Description</u> | <u>GXV160K1</u> | <u>Serial Numbers</u> |
| 014 | 28486-ZE6-T02 | SPRING, DOG | 2 | |



| Ref | Partnumber | Description | GXV160K1 | Serial Numbers | |
|-----|-----------------|--|--------------------|-----------------|-----------------------|
| 001 | 15721-ZE7-000 | TUBE, BREATHER | 1 | | |
| 002 | 17216-PE2-003 | COLLAR, AIR CLEANER (TOYO ROKI) | 3 | | |
| 003 | 17410-ZE7-W00 | ELBOW COMP., AIR CLEANER | 1 | | |
| 004 | 17620-ZE7-000 | CAP ASSY., FUEL TANK | 1 | | |
| 005 | 17622-888-010 | SPONGE, FUEL CAP BREATHER | 1 | | |
| 006 | 17624-ZE7-000 | PACKING, FUEL CAP | 1 | | |
| 007 | 17700-ZE7-W00 | TUBE ASSY., FUEL TANK | 1 | | |
| 008 | 19610-ZE7-W00ZA | COVER COMP., FAN *NH1 * | 1 | 2003761 | |
| 008 | 19610-ZE7-W00ZB | COVER COMP., FAN *R8 * | 1 | 2003761 | |
| 008 | 19610-ZE7-W01ZA | COVER COMP., FAN *NH1 * | 1 | | |
| 008 | 19610-ZE7-W01ZB | COVER COMP., FAN *R8 * | 1 | 2003762 2083602 | |
| 008 | 19610-ZE7-W01ZC | COVER COMP., FAN *R280 * | 1 | 2083603 | |
| 009 | 19615-ZG9-801ZA | HOOD, FAN COVER (GRAINED FINISH) *NH1 * | 1 | | |
| | <u>Ref</u> | <u>Partnumber</u> | <u>Description</u> | <u>GXV160K1</u> | <u>Serial Numbers</u> |
| 009 | 19615-ZG9-801ZB | HOOD, FAN COVER (GRAINED FINISH) *R8 * | 1 | 2083602 | |
| 009 | 19615-ZG9-801ZE | HOOD, FAN COVER (GRAINED FINISH) *R280 * | 1 | 2083603 | |
| 011 | 30500-ZG9-801 | COIL ASSY., IGNITION | 1 | | |
| 018 | 90015-883-000 | BOLT, FLANGE, 6X28 (CT200) | 1 | | |
| 019 | 90041-ZE7-W00 | BOLT, STUD (A) | 2 | | |
| 020 | 90042-ZE7-W00 | BOLT, STUD (IGNITION COIL) | 1 | | |
| 021 | 90402-ZE7-W00 | COLLAR, SPECIAL | 2 | | |
| 023 | 91301-ZG9-800 | O-RING, 33.3X3.5 | 1 | | |
| 024 | 93891-0603510 | SCREW-WASHER, 6X35 | 1 | | |
| 025 | 93913-24580 | SCREW, TAPPING, 4X20 | 1 | | |
| 026 | 94050-06000 | NUT, FLANGE, 6MM | 5 | | |
| 027 | 95002-02080 | CLIP, TUBE (B8) | 1 | | |
| 028 | 95002-02100 | CLIP, TUBE (B10) | 1 | 6149216 | |
| 028 | 95002-50000 | CLIP, TUBE (C9) | 1 | 6149217 | |

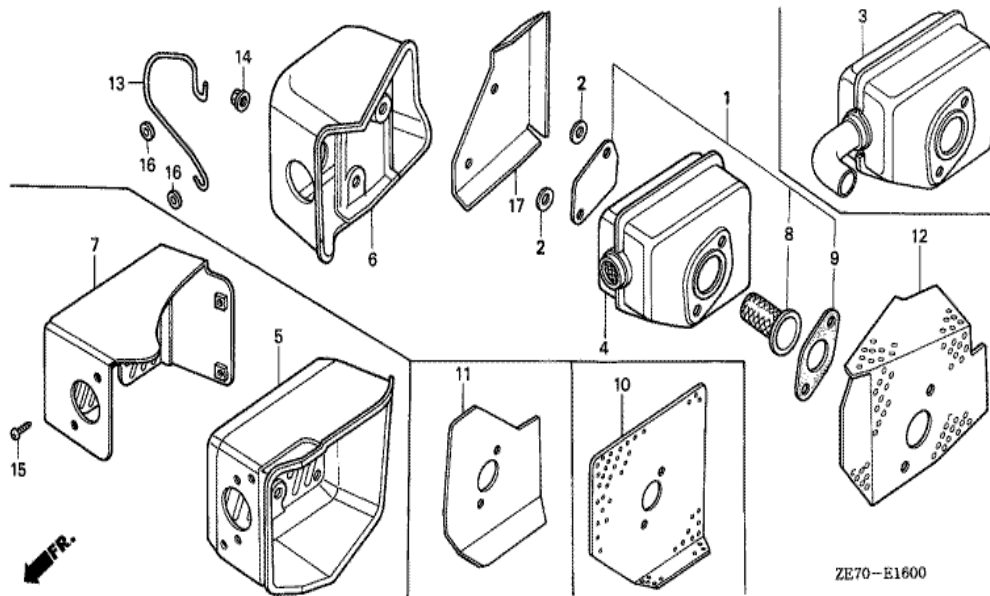


| <u>Ref</u> | <u>Partnumber</u> | <u>Description</u> | <u>GXV160K1</u> | <u>Serial Numbers</u> |
|------------|-------------------|----------------------------|-----------------|-----------------------|
| 001 | 16010-ZE0-025 | GASKET SET | 1 | BE40A F |
| 002 | 16011-ZE0-005 | VALVE SET, FLOAT | 1 | |
| 003 | 16013-ZE0-005 | FLOAT SET | 1 | |
| 004 | 16015-ZE0-831 | CHAMBER SET, FLOAT | 1 | |
| 005 | 16016-ZE0-005 | SCREW SET, PILOT | 1 | |
| 006 | 16016-ZH7-W01 | SCREW SET, PILOT | 1 | BE66C B |
| 007 | 16024-ZE1-811 | SCREW SET, DRAIN | 1 | |
| 008 | 16028-ZE0-005 | SCREW SET | 1 | |
| 009 | 16045-ZE7-005 | CHOKE SET | 1 | |
| 010 | 16100-ZE7-W10 | CARBURETOR ASSY. (BE66B A) | 1 | 8127004 |
| 010 | 16100-ZE7-W11 | CARBURETOR ASSY. (BE66B B) | 1 | 2001687 |
| 010 | 16100-ZE7-W21 | CARBURETOR ASSY. (BE66C B) | 1 | 2038167 |
| 011 | 16124-ZE0-005 | SCREW, THROTTLE STOP | 1 | |
| <u>Ref</u> | <u>Partnumber</u> | <u>Description</u> | <u>GXV160K1</u> | <u>Serial Numbers</u> |
| 012 | 16166-ZE7-W10 | NOZZLE, MAIN | 1 | |
| 013 | 16211-ZE7-000 | INSULATOR, CARBURETOR | 1 | |
| 014 | 16212-ZE7-M10 | PACKING, INSULATOR | 1 | 1320209 |
| 015 | 16220-ZE6-010 | SPACER COMP., CARBURETOR | 1 | |
| 016 | 16221-ZE7-M11 | PACKING, CARBURETOR | 1 | 1352535 |
| 017 | 16953-ZE1-812 | LEVER, COCK | 1 | BE66C B |
| 018 | 16954-ZE1-811 | PLATE, LEVER SETTING | 1 | |
| 018 | 16954-ZE1-812 | PLATE, LEVER SETTING | 1 | BE66C B |
| 019 | 16956-ZE1-811 | SPRING, COCK LEVER | 1 | |
| 020 | 16957-ZE1-812 | PACKING, FUEL COCK | 1 | BE40A F |
| 021 | 93500-030061H | SCREW, PAN, 3X6 | 2 | BE66C B |
| 022 | 99101-ZH80600 | JET, MAIN, #60 | (1) | |
| 022 | 99101-ZH80620 | JET, MAIN, #62 | (1) | |
| 022 | 99101-ZH80650 | JET, MAIN, #65 | (1) | |
| 023 | 99204-ZE00350 | JET SET, PILOT, #35 | 1 | |



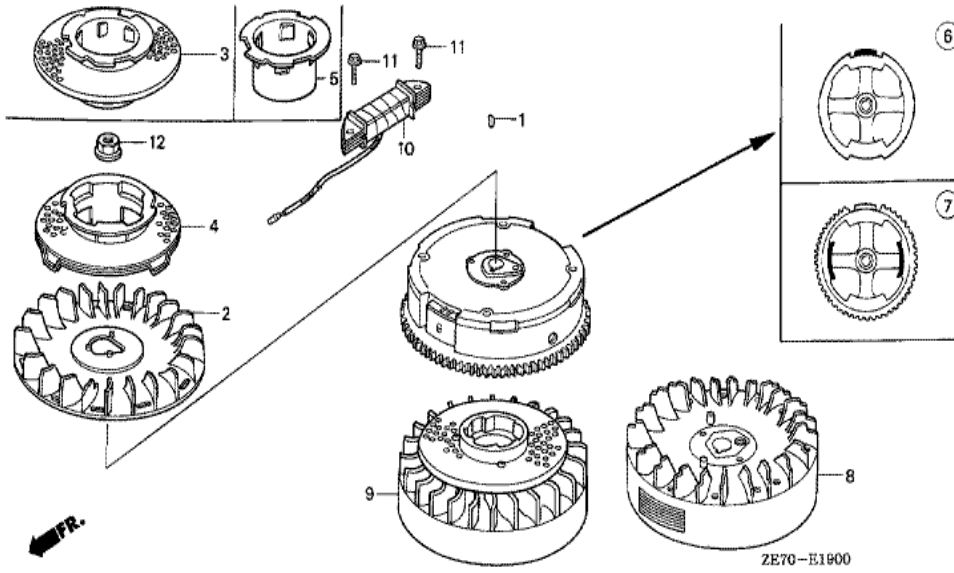
ZE70-E1501A

| Ref | Partnumber | Description | GXV160K1 | Serial Numbers |
|-----|-----------------|-----------------------------|----------|----------------|
| 001 | 17211-ZE7-W01 | ELEMENT, AIR CLEANER | 1 | 2012216 |
| 002 | 17218-ZE7-W00 | FILTER, OUTER | 1 | 2012216 |
| 002 | 17218-ZE7-W02 | FILTER, OUTER | 1 | |
| 003 | 17231-ZE7-W00ZA | COVER, AIR CLEANER *NH1 * | 1 | |
| 004 | 90004-ZE7-W00 | BOLT, AIR CLEANER (6X73) | 2 | |
| 005 | 17211-ZE7-W03 | ELEMENT, AIR CLEANER (TOYO) | 1 | 2012217 |
| 006 | 17217-ZE7-W00 | PACKING, ELEMENT | 1 | |
| 007 | 17232-ZE7-W00 | GROMMET, AIR CLEANER | 2 | |

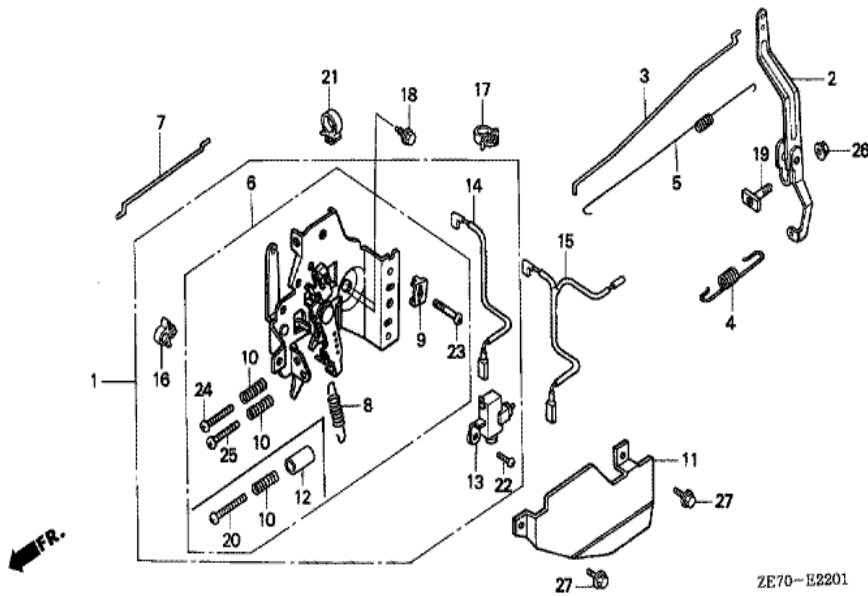


ZE70-E1600

| Ref | Partnumber | Description | GXV160K1 | Serial Numbers |
|-----|---------------|--------------------------|----------|----------------|
| 001 | 06180-ZE6-820 | ARRESTER KIT, SPARK | (1) | |
| 004 | 18310-ZE7-013 | MUFFLER COMP. | 1 | 8117189 |
| 006 | 18320-ZG9-M01 | PROTECTOR COMP., MUFFLER | 1 | |
| 008 | 18355-888-810 | ARRESTER, SPARK | (1) | |
| 009 | 18381-ZE6-820 | GASKET, MUFFLER | (1) | |
| 012 | 18381-ZG9-M00 | GASKET, MUFFLER | 1 | |
| 014 | 90343-ZE6-000 | NUT, SELF-LOCK, 6MM | 2 | |

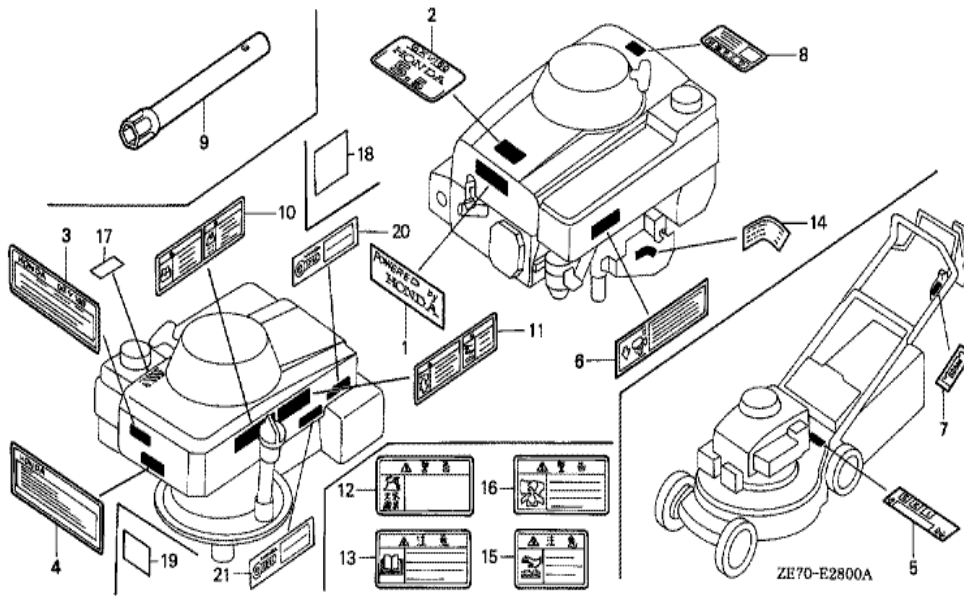


| Ref | Partnumber | Description | GXV160K1 | Serial Numbers |
|-----|---------------|------------------------------|----------|----------------|
| 001 | 13331-357-000 | KEY, SPECIAL WOODRUFF, 25X18 | 1 | |
| 009 | 31105-ZE7-W00 | FLYWHEEL ASSY. | 1 | |
| 012 | 90201-878-003 | NUT, SPECIAL, 14MM | 1 | |

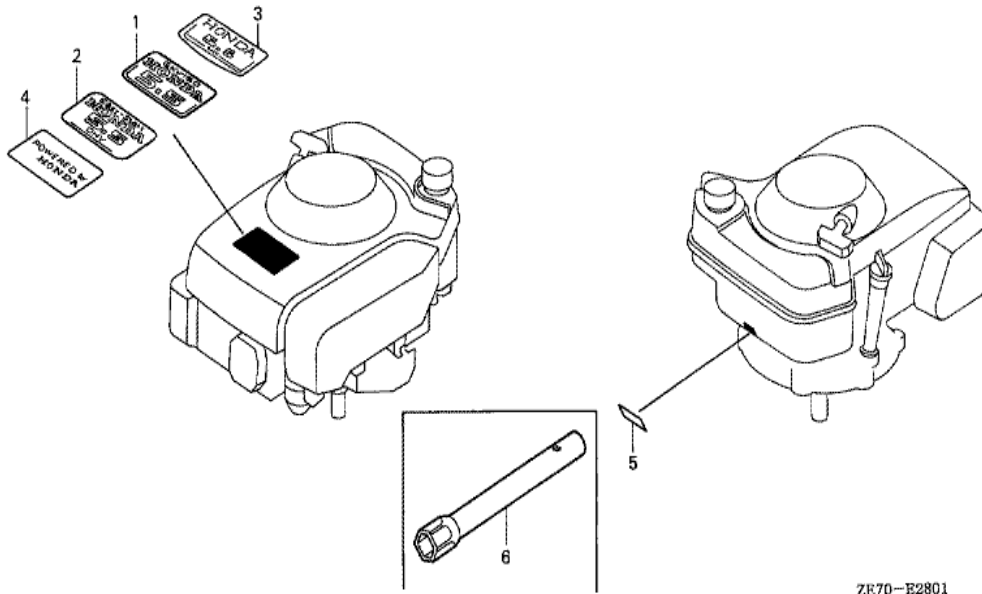


ZE70-E2201

| Ref | Partnumber | Description | GXV160K1 | Serial Numbers |
|------------|-------------------|----------------------------|-----------------|-----------------------|
| 002 | 16551-ZE7-000 | ARM, GOVERNOR | 1 | |
| 003 | 16555-ZE7-000 | ROD, GOVERNOR | 1 | |
| 004 | 16561-ZE7-020 | SPRING, GOVERNOR | 1 | |
| 005 | 16562-ZE6-000 | SPRING, THROTTLE RETURN | 1 | |
| 006 | 16570-ZE7-772 | CONTROL COMP. | 1 | |
| 007 | 16573-ZE7-000 | ROD, CHOKE | 1 | |
| 008 | 16576-ZE7-300 | SPRING, LEVER | 1 | |
| 009 | 16576-891-000 | HOLDER, CABLE | 1 | |
| 010 | 16584-883-300 | SPRING, CONTROL ADJUSTING | 2 | |
| 011 | 16585-ZE7-000 | PROTECTOR, CONTROL | 1 | |
| 013 | 36100-ZE7-003 | SWITCH ASSY., ENGINE STOP | 1 | 2076731 |
| 013 | 36100-ZE7-013 | SWITCH ASSY., ENGINE STOP | 1 | 2076732 |
| 014 | 36101-ZE7-W00 | CORD, STOP SWITCH | 1 | |
| <u>Ref</u> | <u>Partnumber</u> | <u>Description</u> | <u>GXV160K1</u> | <u>Serial Numbers</u> |
| 016 | 36103-ZE1-000 | HOLDER, STOP SWITCH CORD | 1 | |
| 017 | 46392-SC2-003 | CLAMP, BRAKE PIPE (GRAY) | 1 | |
| 018 | 90013-883-000 | BOLT, FLANGE, 6X12 (CT200) | 2 | |
| 019 | 90015-ZE5-010 | BOLT, GOVERNOR ARM | 1 | |
| 021 | 90659-680-013 | CLIP, WIRE HARNESS | 1 | |
| 022 | 93500-040080A | SCREW, PAN, 4X8 | 1 | |
| 023 | 93500-050160A | SCREW, PAN, 5X16 | 1 | |
| 024 | 93500-050200A | SCREW, PAN, 5X20 | 1 | |
| 025 | 93500-050280A | SCREW, PAN, 5X28 | 1 | |
| 026 | 94050-06000 | NUT, FLANGE, 6MM | 1 | |
| 027 | 95701-0601000 | BOLT, FLANGE, 6X10 | 2 | |

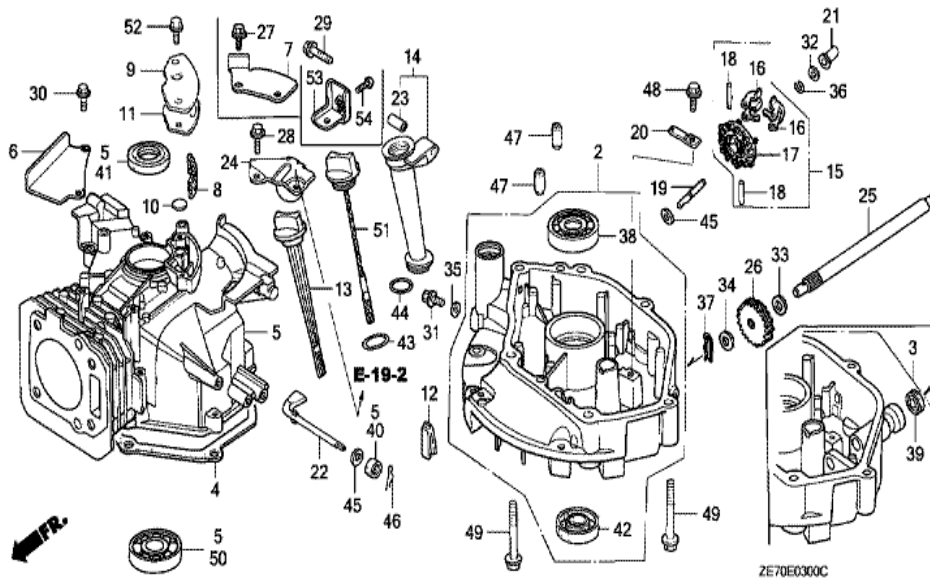


| Ref | Partnumber | Description | GXV160K1 | Serial Numbers |
|-----|---------------|--|----------|-----------------|
| 021 | 87135-ZE2-000 | LABEL, E-SPEC (HONDA) (EPA STANDARD) (15 | 1 | 2066925 2072722 |
| 021 | 87135-ZE2-010 | LABEL, E-SPEC (EPA STANDARD) (15.5X60.0) | 1 | 2072723 2089842 |
| 021 | 87135-ZE2-020 | LABEL, E-SPEC (15.5X27.5) | 1 | 2089843 |



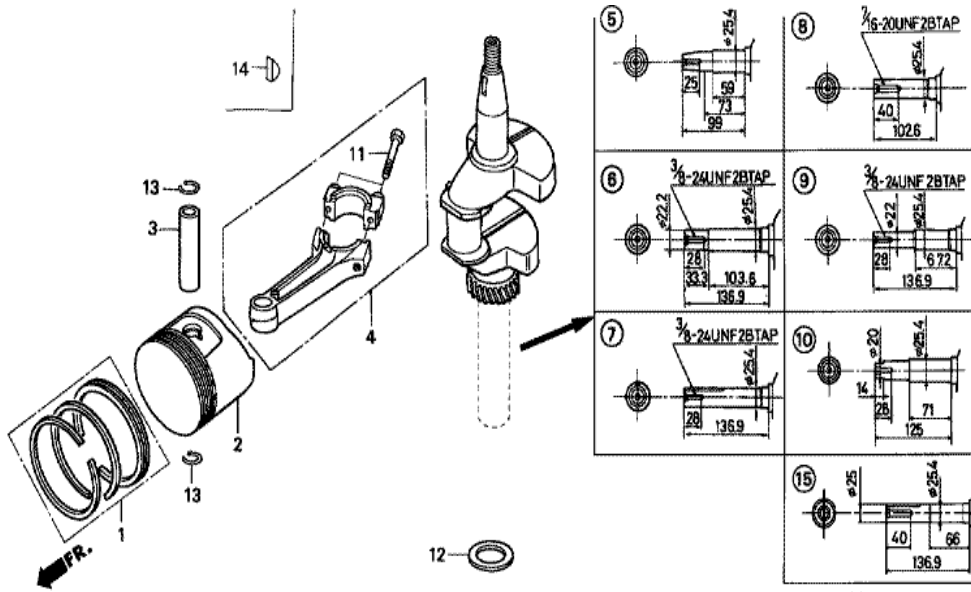
ZE70-E2801

| Ref | Partnumber | Description | GXV160K1 | Serial Numbers |
|-----|---------------|---------------------|----------|----------------|
| 001 | 87101-ZE7-W00 | EMBLEM (GXV160 5.5) | 1 | 2002103 |
| 003 | 87101-ZE7-W21 | EMBLEM (5.5 OHV) | 1 | 2002104 |
| 003 | 87101-ZE7-W22 | EMBLEM (5.5 OHV) | 1 | 2083603 |
| 006 | 99004-21003 | WRENCH, BOX (P21) | 1 | |



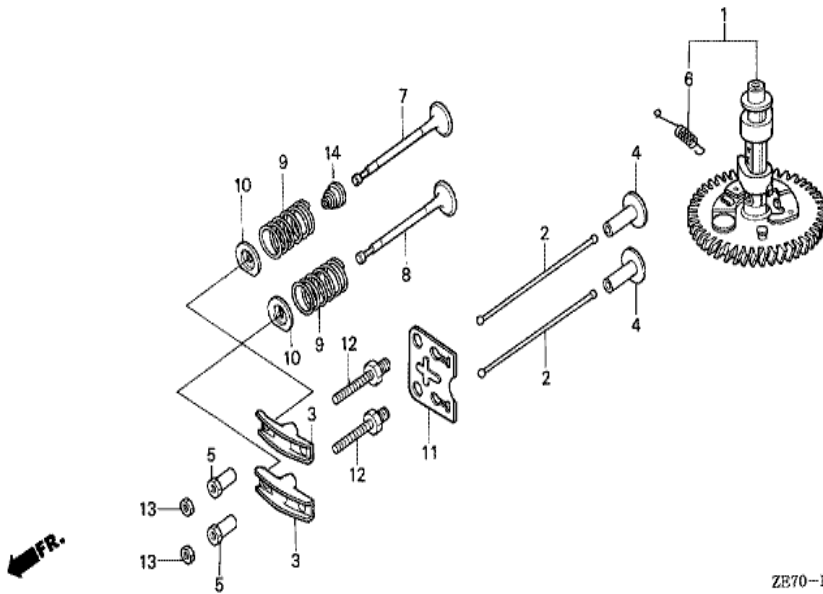
| Ref | Partnumber | Description | GXV160K1 | Serial Numbers |
|-----|---------------|-------------------------|----------|----------------|
| 002 | 11300-ZE7-408 | PAN ASSY., OIL | 1 | |
| 004 | 11381-ZE7-M10 | PACKING, OIL PAN | 1 | |
| 005 | 12000-ZE7-405 | BARREL ASSY., CYLINDER | 1 | 2065855 |
| 005 | 12000-ZE7-W00 | BARREL ASSY., CYLINDER | 1 | 2065854 |
| 006 | 12125-ZE7-000 | PLATE, GUIDE | 1 | |
| 007 | 12126-ZE7-W00 | PLATE A, GUIDE | 1 | |
| 008 | 12367-883-003 | FILTER, BREATHER | 1 | |
| 009 | 12370-ZE7-000 | COVER COMP., BREATHER | 1 | |
| 010 | 12372-ZE7-000 | VALVE, BREATHER | 1 | |
| 011 | 12373-ZE7-000 | PACKING, BREATHER COVER | 1 | |
| 012 | 15335-ZE7-000 | RUBBER, OIL RETURN | 1 | |
| 013 | 15620-ZE6-810 | GAUGE COMP., OIL LEVEL | 1 | 1174114 |
| 014 | 15630-ZE6-810 | EXTENSION, OIL FILLER | 1 | 1174114 |

| <u>Ref</u> | <u>Partnumber</u> | <u>Description</u> | <u>GXV160K1</u> | <u>Serial Numbers</u> |
|------------|-------------------|------------------------------|-----------------|-----------------------|
| 015 | 16510-ZE6-000 | GOVERNOR ASSY. | 1 | |
| 016 | 16511-ZE1-000 | WEIGHT, GOVERNOR | 2 | |
| 017 | 16512-ZE6-000 | HOLDER, GOVERNOR WEIGHT | 1 | |
| 018 | 16513-ZE1-000 | PIN, GOVERNOR WEIGHT | 2 | |
| 019 | 16515-ZE6-000 | SHAFT, GOVERNOR HOLDER | 1 | |
| 019 | 16515-ZE6-010 | SHAFT, GOVERNOR HOLDER | 1 | 2083653 |
| 020 | 16525-ZE6-010 | PLATE, GOVERNOR SHAFT HOLDER | 1 | |
| 021 | 16531-ZE1-000 | SLIDER, GOVERNOR | 1 | |
| 022 | 16541-ZE7-000 | SHAFT, GOVERNOR ARM | 1 | |
| 023 | 17240-ZE6-000 | COLLAR, EXTENSION | 1 | |
| 027 | 90013-883-000 | BOLT, FLANGE, 6X12 (CT200) | 2 | |
| 029 | 90017-883-000 | BOLT, FLANGE, 6X32 (CT200) | 1 | |
| 030 | 90022-888-010 | BOLT, FLANGE, 6X20 (CT200) | 2 | |
| 031 | 90131-ZE1-000 | BOLT, DRAIN PLUG | 1 | 1152219 |
| 032 | 90451-898-000 | WASHER, THRUST, 6MM | 1 | |
| 032 | 90451-ZE1-000 | WASHER, THRUST, 6MM | 1 | 2083653 |
| 035 | 90601-ZE1-000 | WASHER, DRAIN PLUG, 10.2MM | 1 | 1152219 |
| 036 | 90602-ZE1-000 | CLIP, GOVERNOR HOLDER | 1 | |
| 040 | 91231-891-003 | OIL SEAL, 6X11X4 (ARAI) | 1 | |
| 041 | 91252-888-003 | OIL SEAL, 25X38X7 (ARAI) | 1 | |
| 042 | 91252-894-004 | OIL SEAL, 25.4X40X7 | 1 | |
| 043 | 91301-ZE9-003 | O-RING, 22.1X2.2 | 1 | |
| 044 | 91301-805-000 | O-RING, 26X2.7 | 1 | |
| 045 | 94101-06800 | WASHER, PLAIN, 6MM | 2 | |
| 046 | 94251-08000 | PIN, LOCK, 8MM | 1 | |
| 047 | 94301-08140 | DOWEL PIN, 8X14 | 2 | |
| 048 | 95701-0601208 | BOLT, FLANGE, 6X12 | 1 | |
| 049 | 95701-0805000 | BOLT, FLANGE, 8X50 | 6 | |
| 050 | 96100-6205000 | BEARING, RADIAL BALL, 6205 | 1 | |
| 052 | 90014-952-000 | BOLT, FLANGE, 6X14 (CT200) | 2 | |



ZE70-E0760C

| Ref | Partnumber | Description | GXV160K1 | Serial Numbers |
|------------|-------------------|---|-----------------|-----------------------|
| 001 | 13010-ZF1-023 | RING SET, PISTON (STD.) (TEIKOKU) | 1 | 1149119 |
| 001 | 13010-ZF1-024 | RING SET, PISTON (STD.) (NIPPON) | 1 | |
| 001 | 13010-ZL0-003 | RING SET, PISTON (STD.) (TEIKOKU) | 1 | 2068162 |
| 001 | 13010-ZL0-004 | RING SET, PISTON (STD.) (NIPPON) | 1 | 2068162 |
| 001 | 13011-ZF1-023 | RING SET, PISTON (0.25) (TEIKOKU) | (1) | 1149119 |
| 001 | 13011-ZF1-024 | RING SET, PISTON (0.25) (NIPPON) | (1) | |
| 001 | 13011-ZL0-003 | RING SET, PISTON (0.25) (TEIKOKU) | (1) | 2068162 |
| 001 | 13011-ZL0-004 | RING SET, PISTON (0.25) (NIPPON) | (1) | 2068162 |
| 001 | 13012-ZF1-023 | RING SET, PISTON (0.50) (TEIKOKU) | (1) | 1149119 |
| 001 | 13012-ZF1-024 | RING SET, PISTON (0.50) (NIPPON) | (1) | |
| 001 | 13012-ZL0-003 | RING SET, PISTON (0.50) (TEIKOKU) | (1) | 2068162 |
| 001 | 13012-ZL0-004 | RING SET, PISTON (0.50) (NIPPON) | (1) | 2068162 |
| 001 | 13013-ZF1-023 | RING SET, PISTON (0.75) (TEIKOKU) | (1) | 1149119 |
| <u>Ref</u> | <u>Partnumber</u> | <u>Description</u> | <u>GXV160K1</u> | <u>Serial Numbers</u> |
| 001 | 13013-ZF1-024 | RING SET, PISTON (0.75) (NIPPON) | (1) | |
| 001 | 13013-ZL0-003 | RING SET, PISTON (0.75) (TEIKOKU) | (1) | 2068162 |
| 001 | 13013-ZL0-004 | RING SET, PISTON (0.75) (NIPPON) | (1) | 2068162 |
| 002 | 13101-ZE7-010 | PISTON (STD.) | 1 | 1149119 |
| 002 | 13101-ZE7-020 | PISTON (STD.) | 1 | 2068162 |
| 002 | 13102-ZE7-010 | PISTON (0.25) | (1) | |
| 002 | 13102-ZE7-020 | PISTON (0.25) | (1) | 2068162 |
| 002 | 13103-ZE7-010 | PISTON (0.50) | (1) | |
| 002 | 13103-ZE7-020 | PISTON (0.50) | (1) | 2068162 |
| 002 | 13104-ZE7-010 | PISTON (0.75) | (1) | 1149119 |
| 002 | 13104-ZE7-020 | PISTON (0.75) | (1) | 2068162 |
| 003 | 13111-ZE1-000 | PIN, PISTON | 1 | |
| 004 | 13200-ZE7-000 | ROD ASSY., CONNECTING | 1 | |
| 004 | 13200-ZE7-305 | ROD ASSY., CONNECTING (0.25 UNDER SIZE) | (1) | |
| 009 | 13310-ZE7-681 | CRANKSHAFT COMP. | 1 | 1351851 |
| 011 | 90001-ZE1-000 | BOLT, CONNECTING ROD | 2 | |
| 012 | 90401-ZE7-W00 | WASHER, THRUST, 25.6MM | 1 | |
| 013 | 90551-ZE1-000 | CLIP, PISTON PIN, 18MM | 2 | |



ZE70-E0900A

| Ref | Partnumber | Description | GXV160K1 | Serial Numbers |
|-----|---------------|----------------------------|----------|----------------|
| 001 | 14100-ZE7-000 | CAMSHAFT ASSY. | 1 | |
| 002 | 14410-ZE1-010 | ROD, PUSH | 2 | |
| 003 | 14431-ZE1-000 | ARM, VALVE ROCKER | 2 | |
| 004 | 14441-ZE1-000 | LIFTER, VALVE | 2 | 1363415 |
| 004 | 14441-ZE1-010 | LIFTER, VALVE | 2 | 2007291 |
| 005 | 14451-ZE1-013 | PIVOT, ROCKER ARM | 2 | 1315994 |
| 006 | 14568-ZE1-000 | SPRING, WEIGHT RETURN | 1 | |
| 007 | 14711-ZE7-000 | VALVE, IN. | 1 | 2068161 |
| 007 | 14711-ZF1-000 | VALVE, IN. | 1 | |
| 008 | 14721-ZE7-000 | VALVE, EX. | 1 | |
| 009 | 14751-ZE1-000 | SPRING, VALVE | 2 | |
| 010 | 14771-ZE1-000 | RETAINER, IN. VALVE SPRING | 2 | |
| 011 | 14791-ZE1-010 | PLATE, PUSH ROD GUIDE | 1 | |
| Ref | Partnumber | Description | GXV160K1 | Serial Numbers |
| 012 | 90012-ZE0-010 | BOLT, PIVOT, 8MM | 2 | |
| 013 | 90206-ZE1-000 | NUT, PIVOT ADJUSTING | 2 | |
| 014 | 12209-ZE6-003 | SEAL, VALVE STEM | 1 | 2068162 |