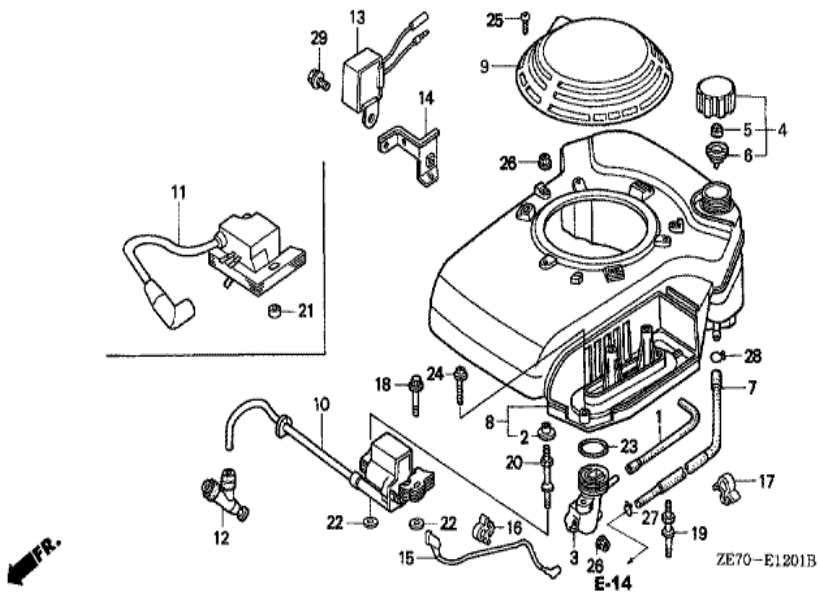
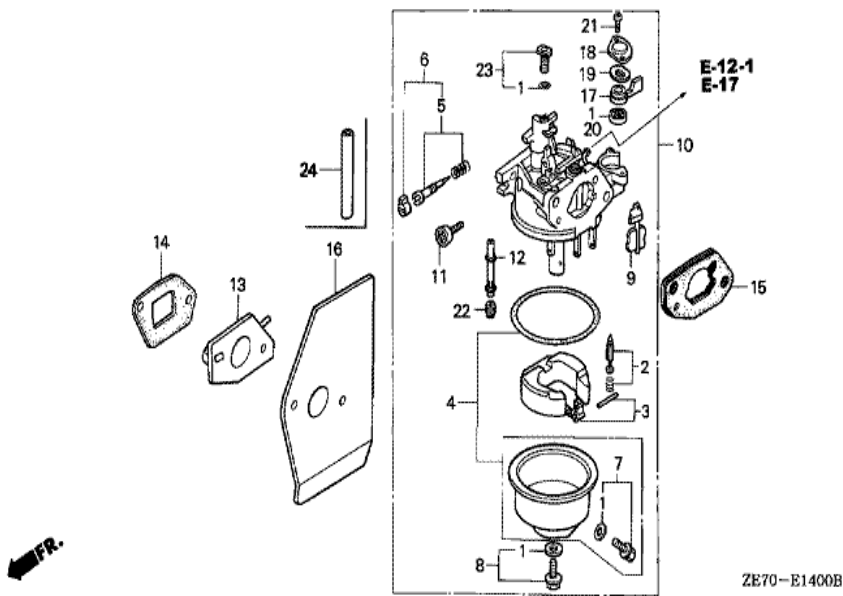


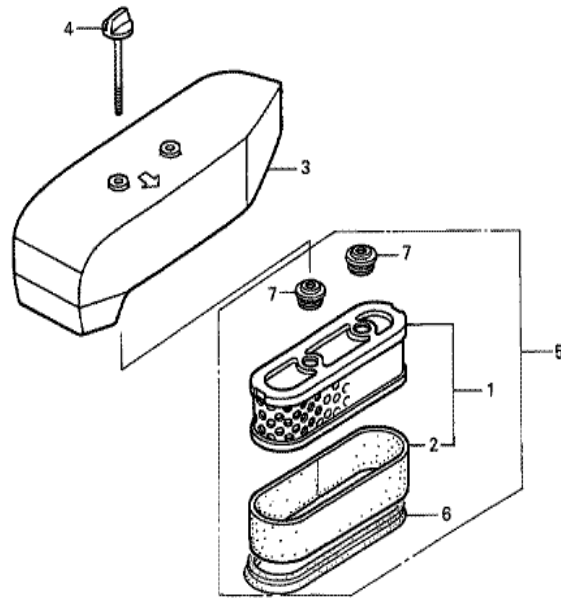
| Ref | Partnumber    | Description           | GXV160K1 | Serial Numbers |
|-----|---------------|-----------------------|----------|----------------|
| 001 | 28400-ZG9-803 | STARTER ASSY., RECOIL | 1        | 2043513        |
| 002 | 28402-ZG9-802 | HOUSING ASSY.         | 1        |                |
| 003 | 28415-ZG9-802 | PULLEY & SPRING ASSY. | 1        |                |
| 004 | 28419-ZG9-802 | PIN, CENTER           | 1        |                |
| 005 | 28431-ZG9-802 | PLATE A, FRICTION     | 1        |                |
| 006 | 28432-ZG9-802 | PLATE B, FRICTION     | 1        |                |
| 007 | 28441-ZG9-802 | SPRING, FRICTION      | 1        |                |
| 008 | 28444-ZG9-802 | RETAINER              | 1        |                |
| 009 | 28461-ZE6-T02 | HANDLE                | 1        |                |
| 011 | 28462-ZG9-802 | ROPE, RECOIL STARTER  | 1        |                |
| 012 | 28463-ZE6-T02 | HANDLE, REINFORCEMENT | 1        |                |
| 013 | 28485-ZE6-T02 | DOG                   | 2        |                |
| 014 | 28486-ZE6-T02 | SPRING, DOG           | 2        |                |



| Ref        | Partnumber        | Description                             | GXV160K1        | Serial Numbers        |
|------------|-------------------|---|-----------------|-----------------------|
| 001        | 15721-ZE7-000     | TUBE, BREATHER                          | 1               |                       |
| 002        | 17216-PE2-003     | COLLAR, AIR CLEANER (TOYO ROKI)         | 3               |                       |
| 003        | 17410-ZE7-W00     | ELBOW COMP., AIR CLEANER                | 1               |                       |
| 004        | 17620-ZE7-000     | CAP ASSY., FUEL TANK                    | 1               |                       |
| 005        | 17622-888-010     | SPONGE, FUEL CAP BREATHER               | 1               |                       |
| 006        | 17624-ZE7-000     | PACKING, FUEL CAP                       | 1               |                       |
| 007        | 17700-ZE7-W00     | TUBE ASSY., FUEL TANK                   | 1               |                       |
| 008        | 19610-ZE7-W01ZA   | COVER COMP., FAN *NH1 *                 | 1               |                       |
| 008        | 19610-ZE7-W01ZB   | COVER COMP., FAN *R8 *                  | 1               | 2003762 2083602       |
| 009        | 19615-ZG9-801ZA   | HOOD, FAN COVER (GRAINED FINISH) *NH1 * | 1               |                       |
| 009        | 19615-ZG9-801ZB   | HOOD, FAN COVER (GRAINED FINISH) *R8 *  | 1               | 2083602               |
| 011        | 30500-ZG9-801     | COIL ASSY., IGNITION                    | 1               |                       |
| 015        | 36101-ZE7-W00     | CORD, STOP SWITCH                       | 1               |                       |
| <u>Ref</u> | <u>Partnumber</u> | <u>Description</u>                      | <u>GXV160K1</u> | <u>Serial Numbers</u> |
| 016        | 36103-ZE1-000     | HOLDER, STOP SWITCH CORD                | 1               |                       |
| 017        | 46392-SC2-003     | CLAMP, BRAKE PIPE (GRAY)                | 1               |                       |
| 018        | 90015-883-000     | BOLT, FLANGE, 6X28 (CT200)              | 1               |                       |
| 019        | 90041-ZE7-W00     | BOLT, STUD (A)                          | 2               |                       |
| 020        | 90042-ZE7-W00     | BOLT, STUD (IGNITION COIL)              | 1               |                       |
| 021        | 90402-ZE7-W00     | COLLAR, SPECIAL                         | 2               |                       |
| 023        | 91301-ZG9-800     | O-RING, 33.3X3.5                        | 1               |                       |
| 024        | 93891-0603510     | SCREW-WASHER, 6X35                      | 1               |                       |
| 025        | 93913-24580       | SCREW, TAPPING, 4X20                    | 1               |                       |
| 026        | 94050-06000       | NUT, FLANGE, 6MM                        | 5               |                       |
| 027        | 95002-02080       | CLIP, TUBE (B8)                         | 1               |                       |
| 028        | 95002-02100       | CLIP, TUBE (B10)                        | 1               | 6149216               |
| 028        | 95002-50000       | CLIP, TUBE (C9)                         | 1               | 6149217               |

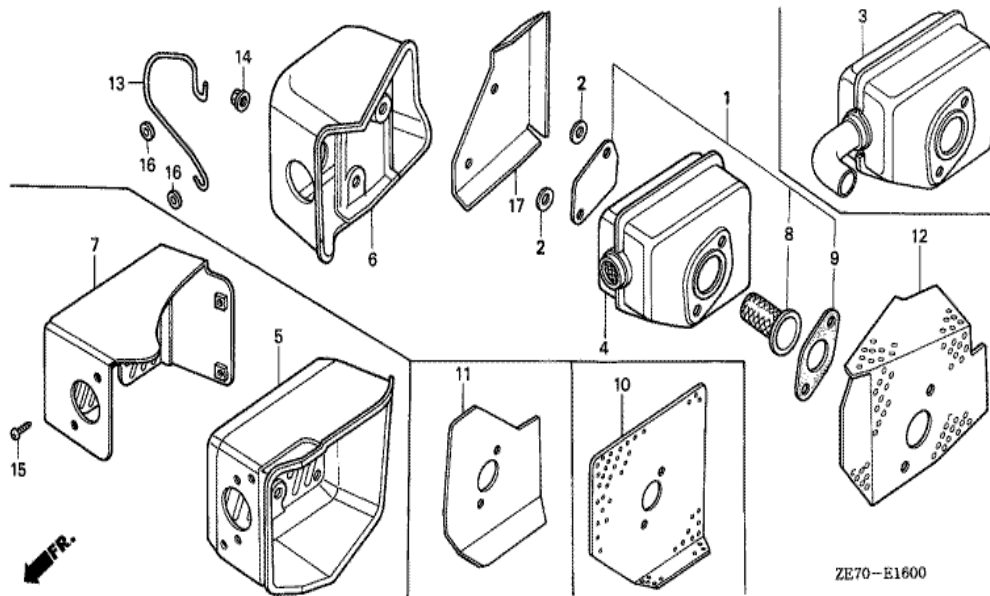


| <u>Ref</u> | <u>Partnumber</u> | <u>Description</u>         | <u>GXV160K1</u> | <u>Serial Numbers</u> |
|------------|-------------------|----------------------------|-----------------|-----------------------|
| 001        | 16010-ZE0-025     | GASKET SET                 | 1               | BE40A F               |
| 002        | 16011-ZE0-005     | VALVE SET, FLOAT           | 1               |                       |
| 003        | 16013-ZE0-005     | FLOAT SET                  | 1               |                       |
| 004        | 16015-ZE0-831     | CHAMBER SET, FLOAT         | 1               |                       |
| 006        | 16016-ZH7-W01     | SCREW SET, PILOT           | 1               | BE66C B               |
| 007        | 16024-ZE1-811     | SCREW SET, DRAIN           | 1               |                       |
| 008        | 16028-ZE0-005     | SCREW SET                  | 1               |                       |
| 009        | 16045-ZE7-005     | CHOKE SET                  | 1               |                       |
| 010        | 16100-ZE7-W21     | CARBURETOR ASSY. (BE66C B) | 1               | 2038167               |
| 011        | 16124-ZE0-005     | SCREW, THROTTLE STOP       | 1               |                       |
| 012        | 16166-ZE7-W10     | NOZZLE, MAIN               | 1               |                       |
| 013        | 16211-ZE7-000     | INSULATOR, CARBURETOR      | 1               |                       |
| 014        | 16212-ZE7-M10     | PACKING, INSULATOR         | 1               | 1320209               |
| <u>Ref</u> | <u>Partnumber</u> | <u>Description</u>         | <u>GXV160K1</u> | <u>Serial Numbers</u> |
| 015        | 16220-ZE6-010     | SPACER COMP., CARBURETOR   | 1               |                       |
| 016        | 16221-ZE7-M11     | PACKING, CARBURETOR        | 1               | 1352535               |
| 017        | 16953-ZE1-811     | LEVER, COCK                | 1               | BE66C A               |
| 017        | 16953-ZE1-812     | LEVER, COCK                | 1               | BE66C B               |
| 018        | 16954-ZE1-811     | PLATE, LEVER SETTING       | 1               |                       |
| 018        | 16954-ZE1-812     | PLATE, LEVER SETTING       | 1               | BE66C B               |
| 019        | 16956-ZE1-811     | SPRING, COCK LEVER         | 1               |                       |
| 020        | 16957-ZE1-812     | PACKING, FUEL COCK         | 1               | BE40A F               |
| 021        | 93500-030061H     | SCREW, PAN, 3X6            | 2               | BE66C B               |
| 021        | 93500-030081G     | SCREW, PAN, 3X8            | 2               | BE66C A               |
| 022        | 99101-ZH80600     | JET, MAIN, #60             | (1)             |                       |
| 022        | 99101-ZH80620     | JET, MAIN, #62             | (1)             |                       |
| 022        | 99101-ZH80650     | JET, MAIN, #65             | (1)             |                       |
| 023        | 99204-ZE00350     | JET SET, PILOT, #35        | 1               |                       |



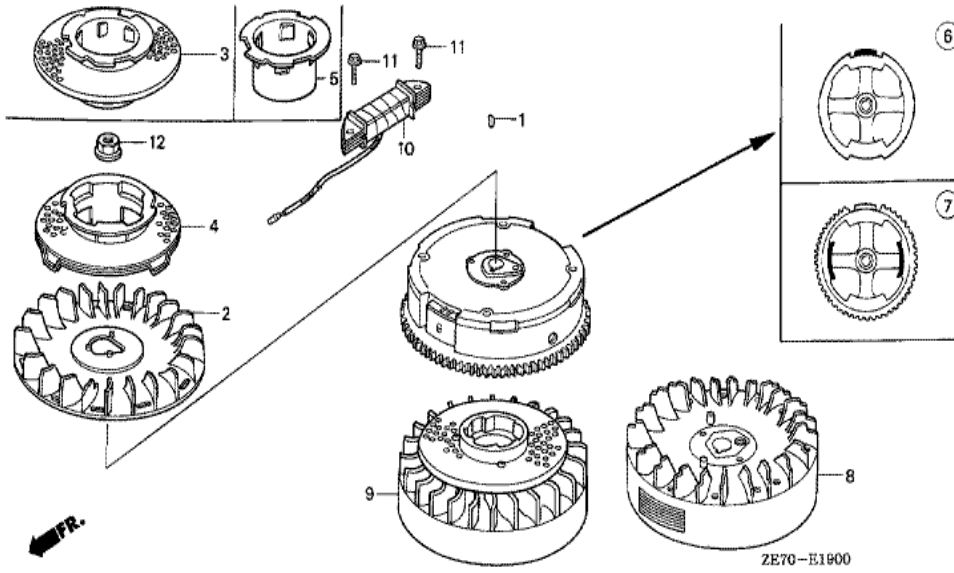
ZE70-E1501A

| Ref | Partnumber      | Description                 | GXV160K1 | Serial Numbers |
|-----|-----------------|-----------------------------|----------|----------------|
| 002 | 17218-ZE7-W02   | FILTER, OUTER               | 1        |                |
| 003 | 17231-ZE7-W00ZA | COVER, AIR CLEANER *NH1 *   | 1        |                |
| 004 | 90004-ZE7-W00   | BOLT, AIR CLEANER (6X73)    | 2        |                |
| 005 | 17211-ZE7-W03   | ELEMENT, AIR CLEANER (TOYO) | 1        | 2012217        |
| 006 | 17217-ZE7-W00   | PACKING, ELEMENT            | 1        |                |
| 007 | 17232-ZE7-W00   | GROMMET, AIR CLEANER        | 2        |                |

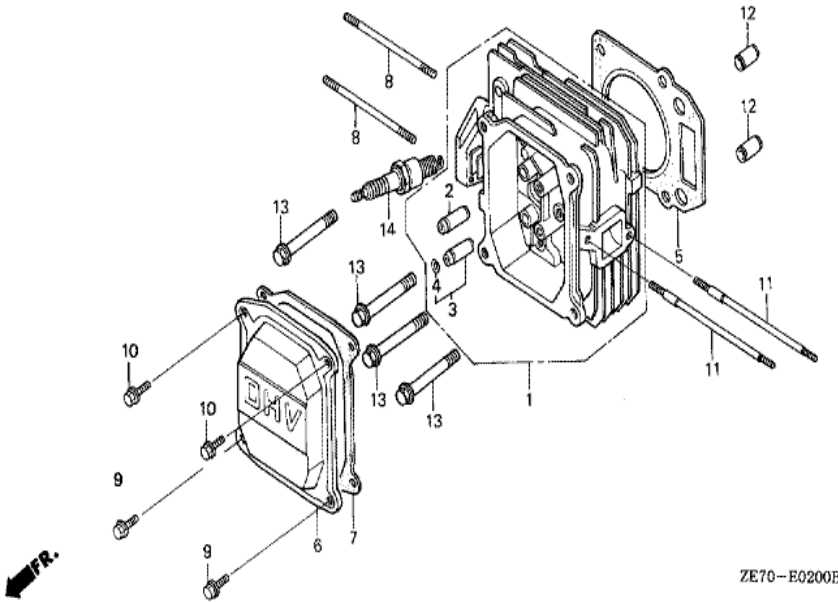


ZE70-E1600

| Ref | Partnumber    | Description              | GXV160K1 | Serial Numbers |
|-----|---------------|--------------------------|----------|----------------|
| 001 | 06180-ZE6-820 | ARRESTER KIT, SPARK      | (1)      |                |
| 004 | 18310-ZG9-J01 | MUFFLER COMP.            | 1        |                |
| 006 | 18320-ZG9-M01 | PROTECTOR COMP., MUFFLER | 1        |                |
| 008 | 18355-888-810 | ARRESTER, SPARK          | (1)      |                |
| 009 | 18381-ZE6-820 | GASKET, MUFFLER          | (1)      |                |
| 012 | 18381-ZG9-M00 | GASKET, MUFFLER          | 1        |                |
| 014 | 90343-ZE6-000 | NUT, SELF-LOCK, 6MM      | 2        |                |

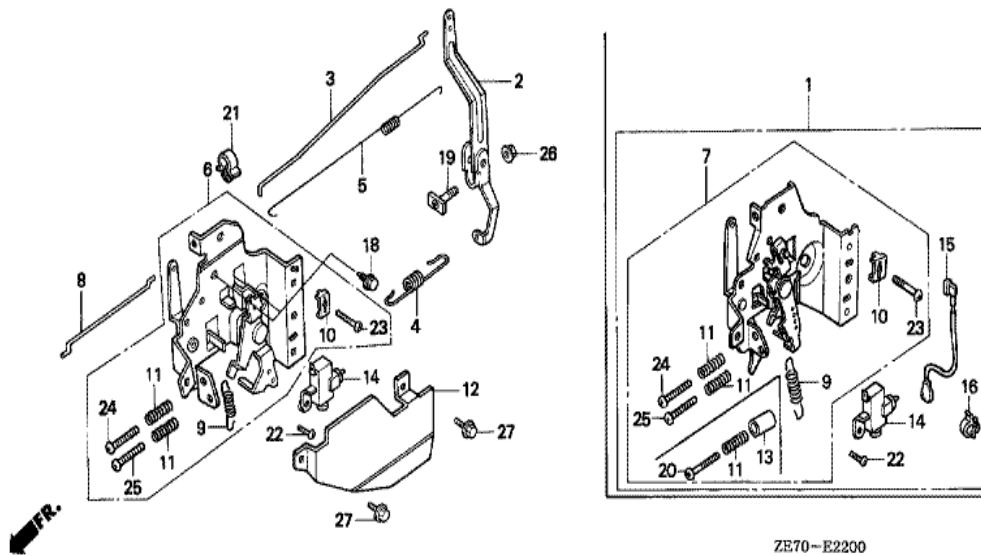


| Ref | Partnumber    | Description                  | GXV160K1 | Serial Numbers |
|-----|---------------|------------------------------|----------|----------------|
| 001 | 13331-357-000 | KEY, SPECIAL WOODRUFF, 25X18 | 1        |                |
| 009 | 31105-ZE7-W00 | FLYWHEEL ASSY.               | 1        |                |
| 012 | 90201-878-003 | NUT, SPECIAL, 14MM           | 1        |                |



ZE70-E0200B

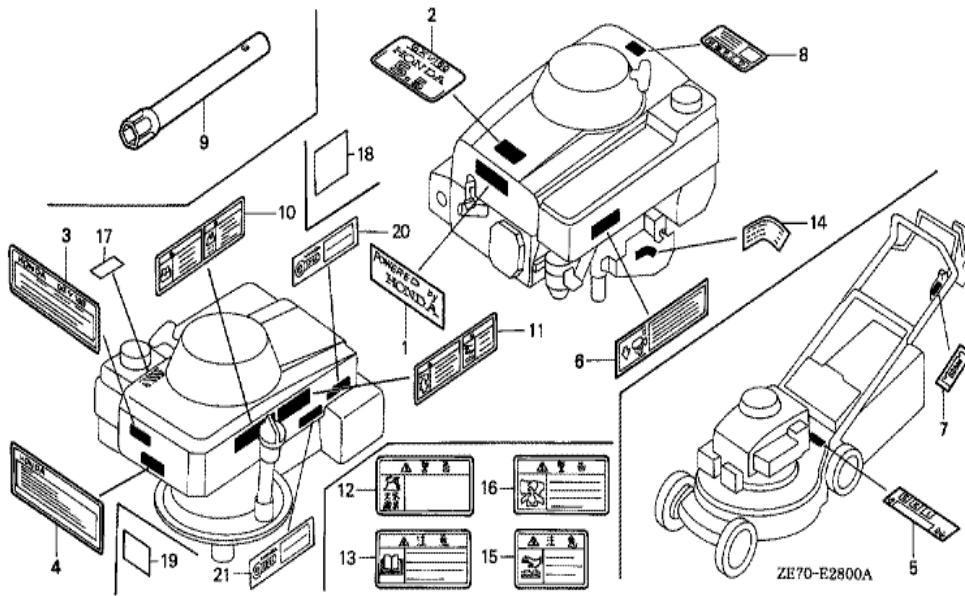
| <u>Ref</u> | <u>Partnumber</u> | <u>Description</u>             | <u>GXV160K1</u> | <u>Serial Numbers</u> |
|------------|-------------------|--------------------------------|-----------------|-----------------------|
| 001        | 12200-ZE7-000     | HEAD COMP., CYLINDER           | 1               | 2067037               |
| 002        | 12204-ZE1-306     | GUIDE, IN. VALVE (OS)          | (1)             |                       |
| 003        | 12205-ZE1-315     | GUIDE, EX. VALVE (OS)          | (1)             |                       |
| 004        | 12216-ZE5-300     | CLIP, VALVE GUIDE              | 1               |                       |
| 005        | 12251-ZE7-000     | GASKET, CYLINDER HEAD          | 1               |                       |
| 006        | 12311-ZG9-800     | COVER, HEAD                    | 1               |                       |
| 007        | 12391-ZE7-T00     | PACKING, HEAD COVER            | 1               |                       |
| 008        | 90048-ZC3-000     | BOLT, STUD, 6X85               | 2               |                       |
| 009        | 90013-883-000     | BOLT, FLANGE, 6X12 (CT200)     | 2               | 1330279               |
| 010        | 90013-883-000     | BOLT, FLANGE, 6X12 (CT200)     | 2               |                       |
| 011        | 90043-ZE6-000     | BOLT, STUD, 6X109              | 2               | 1350097               |
| 012        | 94301-10160       | DOWEL PIN, 10X16               | 2               |                       |
| 013        | 95701-0805000     | BOLT, FLANGE, 8X50             | 4               |                       |
| <u>Ref</u> | <u>Partnumber</u> | <u>Description</u>             | <u>GXV160K1</u> | <u>Serial Numbers</u> |
| 014        | 98079-54846       | PLUG, SPARK (BPR4ES) (NGK)     | (1)             |                       |
| 014        | 98079-54855       | PLUG, SPARK (W14EPR-U) (DENSO) | (1)             |                       |
| 014        | 98079-55846       | PLUG, SPARK (BPR5ES) (NGK)     | 1               |                       |
| 014        | 98079-55855       | PLUG, SPARK (W16EPR-U) (DENSO) | 1               |                       |
| 014        | 98079-56846       | PLUG, SPARK (BPR6ES) (NGK)     | (1)             |                       |
| 014        | 98079-56855       | PLUG, SPARK (W20EPR-U) (DENSO) | (1)             |                       |



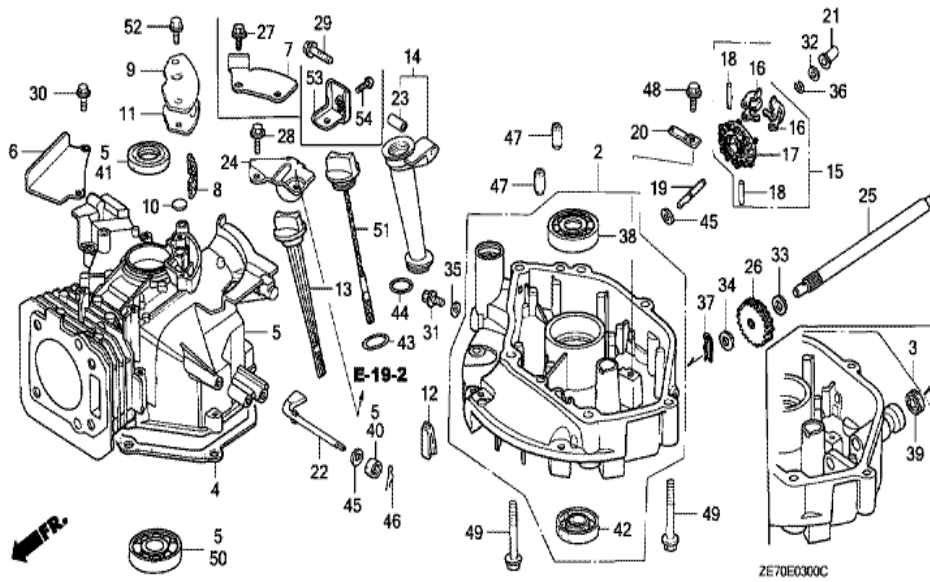
ZE70~E2200

| Ref | Partnumber    | Description                | GXV160K1 | Serial Numbers |
|-----|---------------|----------------------------|----------|----------------|
| 002 | 16551-ZE7-000 | ARM, GOVERNOR              | 1        |                |
| 003 | 16555-ZE7-000 | ROD, GOVERNOR              | 1        |                |
| 004 | 16561-ZE7-020 | SPRING, GOVERNOR           | 1        | 1284537        |
| 005 | 16562-ZE6-000 | SPRING, THROTTLE RETURN    | 1        |                |
| 006 | 16570-ZE7-020 | CONTROL ASSY.              | 1        | 1270691        |
| 008 | 16573-ZE7-000 | ROD, CHOKE                 | 1        |                |
| 009 | 16576-ZE7-300 | SPRING, LEVER              | 1        | 1270691        |
| 010 | 16576-891-000 | HOLDER, CABLE              | 1        |                |
| 011 | 16584-883-300 | SPRING, CONTROL ADJUSTING  | 2        | 1270691        |
| 012 | 16585-ZE7-000 | PROTECTOR, CONTROL         | 1        | 1357489        |
| 014 | 36100-ZE7-003 | SWITCH ASSY., ENGINE STOP  | 1        | 2076731        |
| 018 | 90013-883-000 | BOLT, FLANGE, 6X12 (CT200) | 2        |                |
| 019 | 90015-ZE5-010 | BOLT, GOVERNOR ARM         | 1        | 1004105        |
| Ref | Partnumber    | Description                | GXV160K1 | Serial Numbers |
| 021 | 90659-680-013 | CLIP, WIRE HARNESS         | 1        |                |
| 022 | 93500-040080A | SCREW, PAN, 4X8            | 1        |                |
| 023 | 93500-050160A | SCREW, PAN, 5X16           | 1        |                |
| 024 | 93500-050200A | SCREW, PAN, 5X20           | 1        |                |
| 025 | 93500-050280A | SCREW, PAN, 5X28           | 1        | 1270691        |
| 026 | 94050-06000   | NUT, FLANGE, 6MM           | 1        |                |
| 027 | 95701-0601000 | BOLT, FLANGE, 6X10         | 2        | 1357489        |



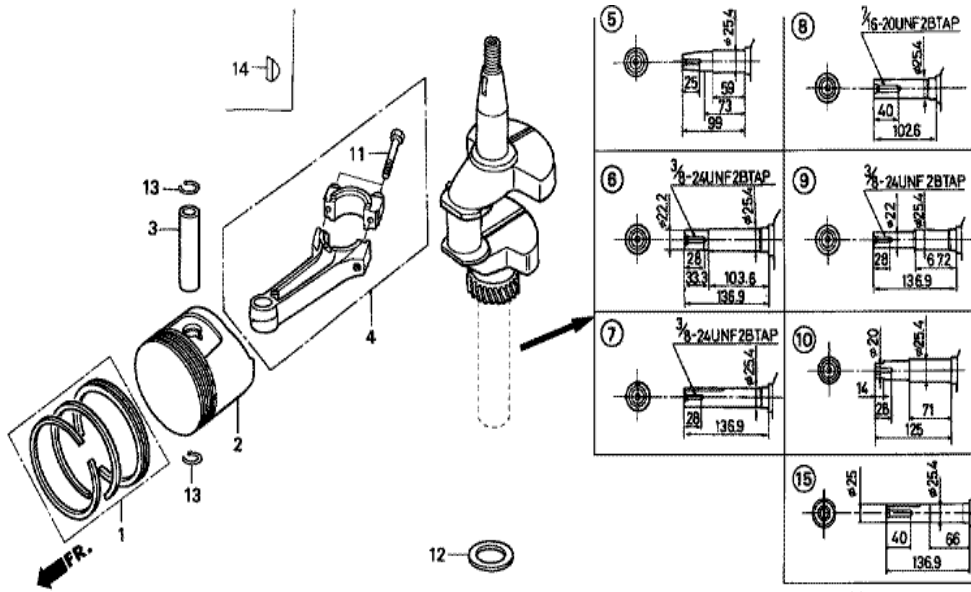


| Ref | Partnumber    | Description       | GXV160K1 | Serial Numbers |
|-----|---------------|-------------------|----------|----------------|
| 002 | 87101-ZE7-W12 | EMBLEM (5.5 ES)   | 1        | 6154807        |
| 002 | 87101-ZE7-W31 | EMBLEM (5.5)      | 1        | 6154808        |
| 006 | 87531-ZG9-800 | MARK, HONDA       | 1        |                |
| 009 | 99004-21003   | WRENCH, BOX (P21) | 1        |                |
| 019 | 87601-ZE7-W20 | MARK, TYPE (N52)  | 1        |                |



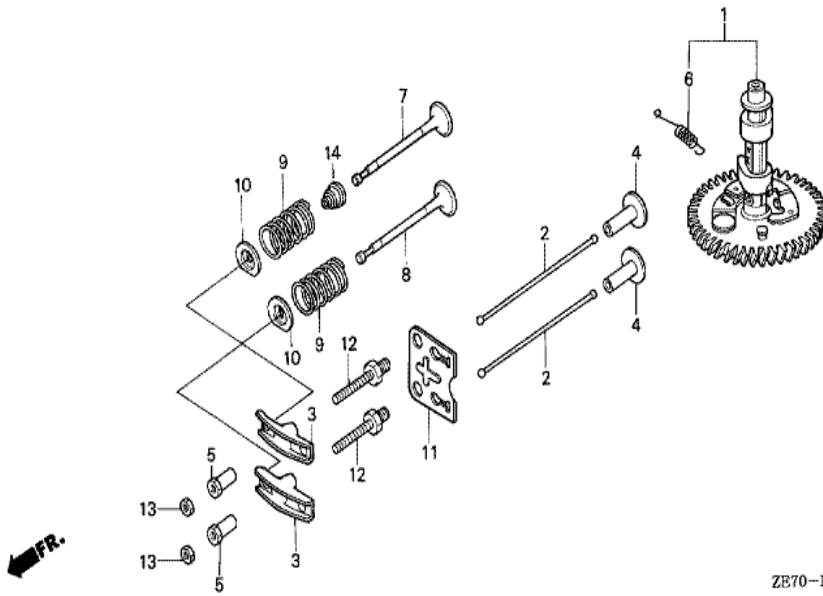
| Ref | Partnumber    | Description                | GXV160K1 | Serial Numbers |
|-----|---------------|----------------------------|----------|----------------|
| 002 | 11300-ZE7-W00 | PAN ASSY., OIL (PUSH TYPE) | 1        |                |
| 004 | 11381-ZE7-M10 | PACKING, OIL PAN           | 1        |                |
| 005 | 12000-ZE7-W00 | BARREL ASSY., CYLINDER     | 1        | 2065854        |
| 006 | 12125-ZE7-000 | PLATE, GUIDE               | 1        |                |
| 007 | 12126-ZE7-W00 | PLATE A, GUIDE             | 1        |                |
| 008 | 12367-883-003 | FILTER, BREATHER           | 1        |                |
| 009 | 12370-ZE7-000 | COVER COMP., BREATHER      | 1        |                |
| 010 | 12372-ZE7-000 | VALVE, BREATHER            | 1        |                |
| 011 | 12373-ZE7-000 | PACKING, BREATHER COVER    | 1        |                |
| 012 | 15335-ZE7-000 | RUBBER, OIL RETURN         | 1        |                |
| 013 | 15620-ZE6-810 | GAUGE COMP., OIL LEVEL     | 1        | 1174114        |
| 014 | 15630-ZE6-810 | EXTENSION, OIL FILLER      | 1        | 1174114        |
| 015 | 16510-ZE6-000 | GOVERNOR ASSY.             | 1        |                |

| <u>Ref</u> | <u>Partnumber</u> | <u>Description</u>           | <u>GXV160K1</u> | <u>Serial Numbers</u> |
|------------|-------------------|------------------------------|-----------------|-----------------------|
| 016        | 16511-ZE1-000     | WEIGHT, GOVERNOR             | 2               |                       |
| 017        | 16512-ZE6-000     | HOLDER, GOVERNOR WEIGHT      | 1               |                       |
| 018        | 16513-ZE1-000     | PIN, GOVERNOR WEIGHT         | 2               |                       |
| 019        | 16515-ZE6-000     | SHAFT, GOVERNOR HOLDER       | 1               |                       |
| 020        | 16525-ZE6-010     | PLATE, GOVERNOR SHAFT HOLDER | 1               |                       |
| 021        | 16531-ZE1-000     | SLIDER, GOVERNOR             | 1               |                       |
| 022        | 16541-ZE7-000     | SHAFT, GOVERNOR ARM          | 1               |                       |
| 023        | 17240-ZE6-000     | COLLAR, EXTENSION            | 1               |                       |
| 027        | 90013-883-000     | BOLT, FLANGE, 6X12 (CT200)   | 2               |                       |
| 029        | 90017-883-000     | BOLT, FLANGE, 6X32 (CT200)   | 1               |                       |
| 030        | 90022-888-010     | BOLT, FLANGE, 6X20 (CT200)   | 2               |                       |
| 031        | 90131-ZE1-000     | BOLT, DRAIN PLUG             | 1               |                       |
| 032        | 90451-898-000     | WASHER, THRUST, 6MM          | 1               |                       |
| 035        | 90601-ZE1-000     | WASHER, DRAIN PLUG, 10.2MM   | 1               |                       |
| 036        | 90602-ZE1-000     | CLIP, GOVERNOR HOLDER        | 1               |                       |
| 040        | 91231-891-003     | OIL SEAL, 6X11X4 (ARAI)      | 1               |                       |
| 041        | 91252-888-003     | OIL SEAL, 25X38X7 (ARAI)     | 1               |                       |
| 042        | 91252-894-004     | OIL SEAL, 25.4X40X7          | 1               |                       |
| 043        | 91301-ZE9-003     | O-RING, 22.1X2.2             | 1               |                       |
| 044        | 91301-805-000     | O-RING, 26X2.7               | 1               |                       |
| 045        | 94101-06800       | WASHER, PLAIN, 6MM           | 2               |                       |
| 046        | 94251-08000       | PIN, LOCK, 8MM               | 1               |                       |
| 047        | 94301-08140       | DOWEL PIN, 8X14              | 2               |                       |
| 048        | 95701-0601208     | BOLT, FLANGE, 6X12           | 1               |                       |
| 049        | 95701-0805000     | BOLT, FLANGE, 8X50           | 6               |                       |
| 050        | 96100-6205000     | BEARING, RADIAL BALL, 6205   | 1               |                       |
| 052        | 90014-952-000     | BOLT, FLANGE, 6X14 (CT200)   | 2               |                       |



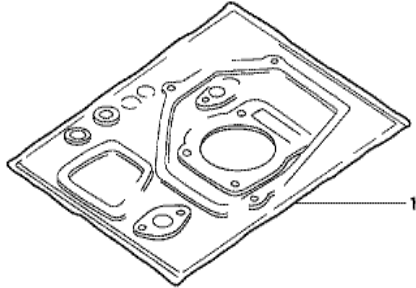
ZE70-E0760C

| Ref | Partnumber    | Description                             | GXV160K1 | Serial Numbers |
|-----|---------------|---|----------|----------------|
| 001 | 13010-ZF1-023 | RING SET, PISTON (STD.) (TEIKOKU)       | 1        | 1149119        |
| 001 | 13010-ZF1-024 | RING SET, PISTON (STD.) (NIPPON)        | 1        |                |
| 001 | 13011-ZF1-023 | RING SET, PISTON (0.25) (TEIKOKU)       | (1)      | 1149119        |
| 001 | 13011-ZF1-024 | RING SET, PISTON (0.25) (NIPPON)        | (1)      |                |
| 001 | 13012-ZF1-023 | RING SET, PISTON (0.50) (TEIKOKU)       | (1)      | 1149119        |
| 001 | 13012-ZF1-024 | RING SET, PISTON (0.50) (NIPPON)        | (1)      |                |
| 001 | 13013-ZF1-023 | RING SET, PISTON (0.75) (TEIKOKU)       | (1)      | 1149119        |
| 001 | 13013-ZF1-024 | RING SET, PISTON (0.75) (NIPPON)        | (1)      |                |
| 002 | 13101-ZE7-010 | PISTON (STD.)                           | 1        | 1149119        |
| 002 | 13102-ZE7-010 | PISTON (0.25)                           | (1)      |                |
| 002 | 13103-ZE7-010 | PISTON (0.50)                           | (1)      |                |
| 002 | 13104-ZE7-010 | PISTON (0.75)                           | (1)      | 1149119        |
| 003 | 13111-ZE1-000 | PIN, PISTON                             | 1        |                |
| Ref | Partnumber    | Description                             | GXV160K1 | Serial Numbers |
| 004 | 13200-ZE7-000 | ROD ASSY., CONNECTING                   | 1        |                |
| 004 | 13200-ZE7-305 | ROD ASSY., CONNECTING (0.25 UNDER SIZE) | (1)      |                |
| 008 | 13310-ZE7-661 | CRANKSHAFT COMP.                        | 1        | 1352111        |
| 011 | 90001-ZE1-000 | BOLT, CONNECTING ROD                    | 2        |                |
| 012 | 90401-ZE7-W00 | WASHER, THRUST, 25.6MM                  | 1        |                |
| 013 | 90551-ZE1-000 | CLIP, PISTON PIN, 18MM                  | 2        |                |



ZE70-E0900A

| Ref | Partnumber    | Description                | GXV160K1 | Serial Numbers |
|-----|---------------|----------------------------|----------|----------------|
| 001 | 14100-ZE7-000 | CAMSHAFT ASSY.             | 1        |                |
| 002 | 14410-ZE1-010 | ROD, PUSH                  | 2        |                |
| 003 | 14431-ZE1-000 | ARM, VALVE ROCKER          | 2        |                |
| 004 | 14441-ZE1-010 | LIFTER, VALVE              | 2        | 2007291        |
| 005 | 14451-ZE1-013 | PIVOT, ROCKER ARM          | 2        | 1315994        |
| 006 | 14568-ZE1-000 | SPRING, WEIGHT RETURN      | 1        |                |
| 007 | 14711-ZF1-000 | VALVE, IN.                 | 1        |                |
| 008 | 14721-ZE7-000 | VALVE, EX.                 | 1        |                |
| 009 | 14751-ZE1-000 | SPRING, VALVE              | 2        |                |
| 010 | 14771-ZE1-000 | RETAINER, IN. VALVE SPRING | 2        |                |
| 011 | 14791-ZE1-010 | PLATE, PUSH ROD GUIDE      | 1        |                |
| 012 | 90012-ZE0-010 | BOLT, PIVOT, 8MM           | 2        |                |
| 013 | 90206-ZE1-000 | NUT, PIVOT ADJUSTING       | 2        |                |



HENG-X0003

| <u>Ref</u> | <u>Partnumber</u> | <u>Description</u> | <u>GXV160K1</u> | <u>Serial Numbers</u> |
|------------|-------------------|--------------------|-----------------|-----------------------|
| 001        | 061A1-ZE7-801     | GASKET KIT         | 1               |                       |