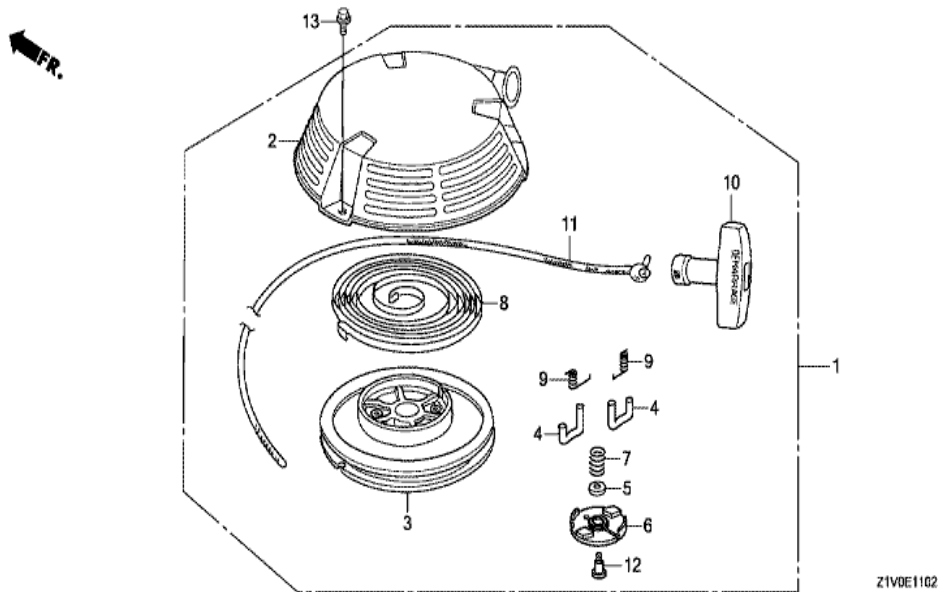


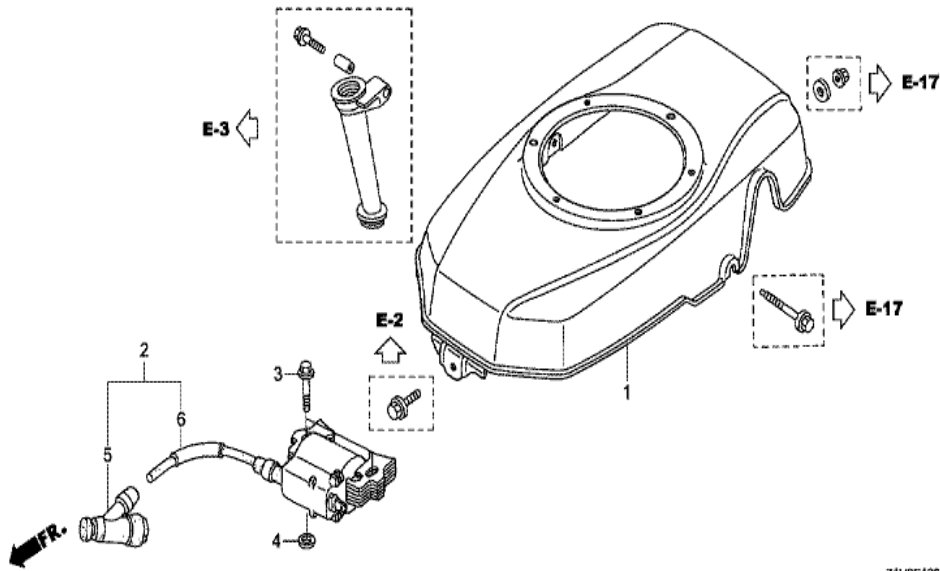
| Ref | Partnumber      | Description                             | GXV160H2 | Serial Numbers  |
|-----|-----------------|---|----------|-----------------|
| 001 | 28400-Z1V-802ZA | STARTER ASSY., RECOIL (LONG ROPE) *NH1* | 1        | 1916287         |
| 001 | 28400-Z1V-802ZA | STARTER ASSY., RECOIL (LONG ROPE) *NH1* | 1        | 1916287         |
| 002 | 28410-Z1V-003ZB | CASE COMP., RECOIL STARTER *NH1 *       | 1        | 1916287         |
| 002 | 28410-Z1V-003ZB | CASE COMP., RECOIL STARTER *NH1 *       | 1        | 1916287         |
| 002 | 28410-Z1V-701ZA | CASE COMP., RECOIL STARTER *NH1*        | 1        | 1916288 2021761 |
| 002 | 28410-Z1V-701ZA | CASE COMP., RECOIL STARTER *NH1*        | 1        | 1916288 2021761 |
| 003 | 28420-Z1V-003   | REEL, RECOIL STARTER (BLACK)            | 1        | 1916287         |
| 003 | 28420-Z1V-003   | REEL, RECOIL STARTER (BLACK)            | 1        | 1916287         |
| 004 | 28422-ZH8-801   | RATCHET, STARTER                        | 2        | 1916287         |
| 004 | 28422-ZH8-801   | RATCHET, STARTER                        | 2        | 1916287         |
| 005 | 28431-ZH8-801   | PLATE, FRICTION                         | 1        | 1916287         |
| 005 | 28431-ZH8-801   | PLATE, FRICTION                         | 1        | 1113863         |
| 006 | 28433-ZH8-801   | GUIDE, RATCHET                          | 1        | 1916287         |

| <u>Ref</u> | <u>Partnumber</u> | <u>Description</u>                      | <u>GXV160H2</u> | <u>Serial Numbers</u> |
|------------|-------------------|---|-----------------|-----------------------|
| 006        | 28433-ZH8-801     | GUIDE, RATCHET                          | 1               | 1916287               |
| 007        | 28441-ZH8-801     | SPRING, FRICTION                        | 1               | 1916287               |
| 007        | 28441-ZH8-801     | SPRING, FRICTION                        | 1               | 1916287               |
| 008        | 28442-ZH8-003     | SPRING, RECOIL STARTER                  | 1               | 2021761               |
| 008        | 28442-ZH8-003     | SPRING, RECOIL STARTER                  | 1               | 1113863 2019698       |
| 009        | 28443-ZH8-801     | SPRING, RETURN                          | 2               | 1916287               |
| 009        | 28443-ZH8-801     | SPRING, RETURN                          | 2               | 1916287               |
| 010        | 28461-ZE1-013     | KNOB, RECOIL STARTER                    | 1               | 2021761               |
| 010        | 28461-ZE1-013     | KNOB, RECOIL STARTER                    | 1               | 2021761               |
| 012        | 28462-Z1V-801     | ROPE, RECOIL STARTER (LONG) (2360MM)    | 1               | 1916287               |
| 012        | 28462-Z1V-801     | ROPE, RECOIL STARTER (LONG) (2360MM)    | 1               | 1916287               |
| 012        | 28462-Z1V-811     | ROPE, RECOIL STARTER (LONG TYPE)        | 1               | 1916288 2021761       |
| 012        | 28462-Z1V-811     | ROPE, RECOIL STARTER (LONG TYPE)        | 1               | 1916288 2021761       |
| 013        | 90003-ZH8-801     | SCREW, SETTING                          | 1               | 1916287               |
| 013        | 90003-ZH8-801     | SCREW, SETTING                          | 1               | 1916287               |
| 014        | 95701-0600800     | BOLT, FLANGE, 6X8                       | 3               | 2021761               |
| 014        | 95701-0600800     | BOLT, FLANGE, 6X8                       | 3               | 1113863 2019698       |
| 015        | 28400-Z1V-811ZA   | STARTER ASSY., RECOIL (LONG ROPE) *NH1* | 1               | 1916288 2021761       |
| 015        | 28400-Z1V-811ZA   | STARTER ASSY., RECOIL (LONG ROPE) *NH1* | 1               | 1916288 2021761       |
| 016        | 28422-Z1T-701     | RATCHET, STARTER                        | 2               | 1916288 2021761       |
| 016        | 28422-Z1T-701     | RATCHET, STARTER                        | 2               | 1916288 2021761       |
| 019        | 28443-Z1T-701     | SPRING, RETURN                          | 2               | 1916288 2021761       |
| 019        | 28443-Z1T-701     | SPRING, RETURN                          | 2               | 1916288 2021761       |
| 021        | 06280-Z1V-305     | STARTER SET, RECOIL                     | 1               | 1915343 2019698       |
| 021        | 06280-Z1V-305     | STARTER SET, RECOIL                     | 1               | 1916288 2021761       |



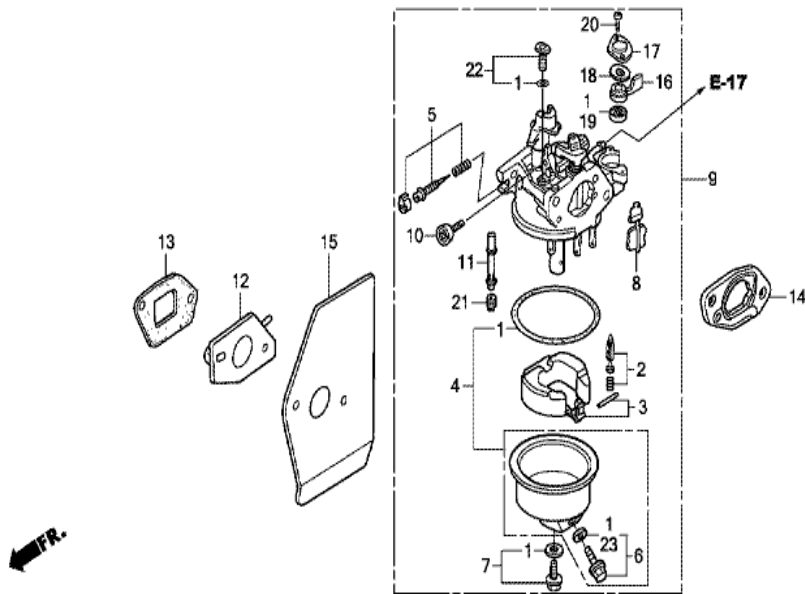
Z1VDE1162

| <u>Ref</u> | <u>Partnumber</u> | <u>Description</u>                      | <u>GXV160H2</u> | <u>Serial Numbers</u> |
|------------|-------------------|---|-----------------|-----------------------|
| 001        | 28400-Z1V-812ZA   | STARTER ASSY., RECOIL (LONG ROPE) *NH1* | 1               | 2021762               |
| 001        | 28400-Z1V-812ZA   | STARTER ASSY., RECOIL (LONG ROPE) *NH1* | 1               | 2021762               |
| 002        | 28410-Z1V-701ZA   | CASE COMP., RECOIL STARTER *NH1*        | 1               | 2021762               |
| 003        | 28420-Z1V-702     | REEL, RECOIL STARTER (BLACK)            | 1               | 2019699               |
| 003        | 28420-Z1V-702     | REEL, RECOIL STARTER (BLACK)            | 1               | 2021762               |
| 004        | 28422-Z1T-701     | RATCHET, STARTER                        | 2               | 2019699               |
| 004        | 28422-Z1T-701     | RATCHET, STARTER                        | 2               | 2021762               |
| 005        | 28431-ZH8-801     | PLATE, FRICTION                         | 1               | 2019699               |
| 005        | 28431-ZH8-801     | PLATE, FRICTION                         | 1               | 2021762               |
| 006        | 28433-Z1T-702     | GUIDE, RATCHET                          | 1               | 2019699               |
| 006        | 28433-Z1T-702     | GUIDE, RATCHET                          | 1               | 2021762               |
| 007        | 28441-ZH8-801     | SPRING, FRICTION                        | 1               | 2019699               |
| 007        | 28441-ZH8-801     | SPRING, FRICTION                        | 1               | 2021762               |
| <u>Ref</u> | <u>Partnumber</u> | <u>Description</u>                      | <u>GXV160H2</u> | <u>Serial Numbers</u> |
| 008        | 28442-ZH8-003     | SPRING, RECOIL STARTER                  | 1               | 2019699               |
| 008        | 28442-ZH8-003     | SPRING, RECOIL STARTER                  | 1               | 2021762               |
| 009        | 28443-Z1T-701     | SPRING, RETURN                          | 2               | 2019699               |
| 009        | 28443-Z1T-701     | SPRING, RETURN                          | 2               | 2021762               |
| 010        | 28461-ZE1-013     | KNOB, RECOIL STARTER                    | 1               | 2021762               |
| 011        | 28462-Z1V-811     | ROPE, RECOIL STARTER (LONG TYPE)        | 1               | 2021762               |
| 011        | 28462-Z1V-811     | ROPE, RECOIL STARTER (LONG TYPE)        | 1               | 2021762               |
| 012        | 90003-ZH8-801     | SCREW, SETTING                          | 1               | 2019699               |
| 012        | 90003-ZH8-801     | SCREW, SETTING                          | 1               | 2021762               |
| 013        | 95701-0600800     | BOLT, FLANGE, 6X8                       | 3               | 2019699               |
| 013        | 95701-0600800     | BOLT, FLANGE, 6X8                       | 3               | 2021762               |



Z1VDE1260C

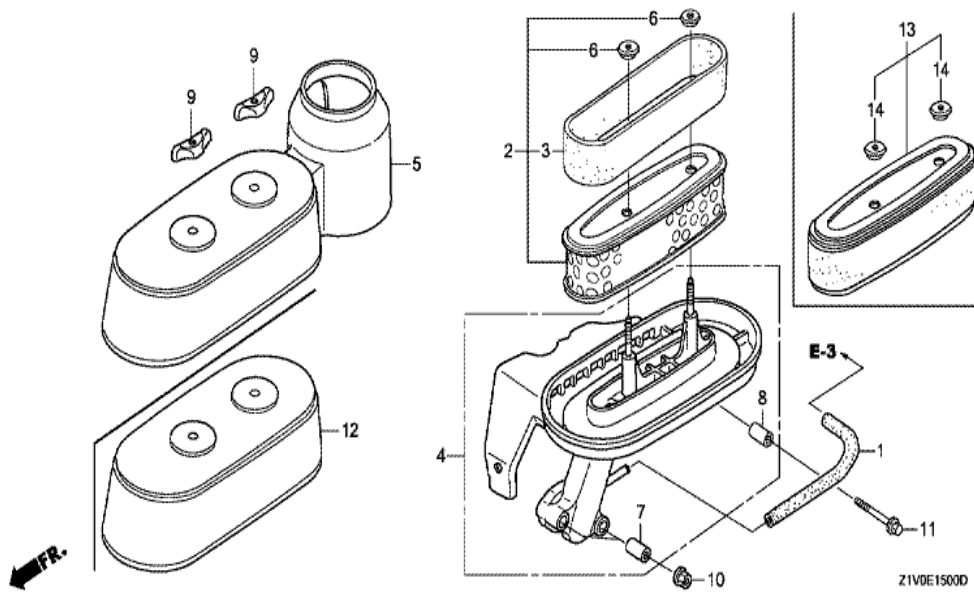
| Ref | Partnumber      | Description                 | GXV160H2 | Serial Numbers |
|-----|-----------------|-----------------------------|----------|----------------|
| 001 | 19610-Z1V-000ZB | COVER COMP., FAN *NH1 *     | 1        |                |
| 002 | 30500-Z1V-013   | COIL ASSY., IGNITION        | 1        |                |
| 003 | 90015-883-000   | BOLT, FLANGE, 6X28 (CT200)  | 2        |                |
| 004 | 90581-Z1V-000   | WASHER, PLAIN, 6MM          | 2        |                |
| 005 | 30700-Z1V-003   | CAP ASSY., NOISE SUPPRESSOR | 1        |                |



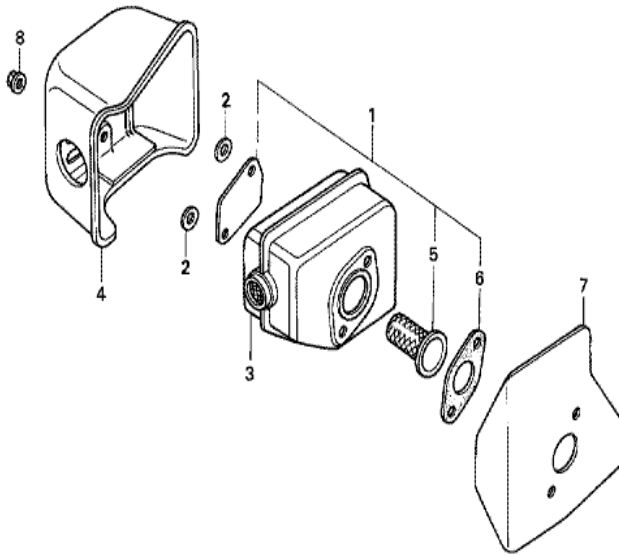
Z1VDE1400C

| Ref | Partnumber    | Description                            | GXV160H2 | Serial Numbers |
|-----|---------------|--|----------|----------------|
| 001 | 16010-ZE0-025 | GASKET SET                             | 1        |                |
| 002 | 16011-ZE0-005 | VALVE SET, FLOAT                       | 1        |                |
| 003 | 16013-Z0S-B01 | FLOAT SET                              | 1        |                |
| 004 | 16015-ZE0-831 | CHAMBER SET, FLOAT                     | 1        |                |
| 005 | 16016-ZH7-W01 | SCREW SET, PILOT                       | 1        |                |
| 006 | 16024-ZE1-811 | SCREW SET, DRAIN                       | 1        |                |
| 007 | 16028-ZE0-005 | SCREW SET                              | 1        |                |
| 008 | 16045-Z1V-G01 | CHOKE SET                              | 1        |                |
| 009 | 16100-Z1V-801 | CARBURETOR ASSY. (BE66N A)             | 1        |                |
| 010 | 16124-ZE0-005 | SCREW, THROTTLE STOP                   | 1        |                |
| 011 | 16166-Z1V-801 | NOZZLE, MAIN                           | 1        |                |
| 012 | 16211-ZE7-000 | INSULATOR, CARBURETOR                  | 1        |                |
| 013 | 16212-Z1V-701 | PACKING, INSULATOR (NINGBO SIL GASKET) | 1        |                |

| <u>Ref</u> | <u>Partnumber</u> | <u>Description</u>                      | <u>GXV160H2</u> | <u>Serial Numbers</u> |
|------------|-------------------|---|-----------------|-----------------------|
| 013        | 16212-Z1V-701     | PACKING, INSULATOR (NINGBO SIL GASKET)  | 1               |                       |
| 013        | 16212-ZE7-M10     | PACKING, INSULATOR                      | 1               |                       |
| 013        | 16212-ZE7-M10     | PACKING, INSULATOR                      | 1               |                       |
| 014        | 16220-ZE6-010     | SPACER COMP., CARBURETOR                | 1               |                       |
| 015        | 16221-Z1V-701     | PACKING, CARBURETOR (NINGBO SIL GASKET) | 1               |                       |
| 015        | 16221-Z1V-701     | PACKING, CARBURETOR (NINGBO SIL GASKET) | 1               |                       |
| 015        | 16221-ZE7-M11     | PACKING, CARBURETOR                     | 1               |                       |
| 015        | 16221-ZE7-M11     | PACKING, CARBURETOR                     | 1               |                       |
| 016        | 16953-ZE1-812     | LEVER, COCK                             | 1               |                       |
| 017        | 16954-ZE1-812     | PLATE, LEVER SETTING                    | 1               |                       |
| 018        | 16956-ZE1-811     | SPRING, COCK LEVER                      | 1               |                       |
| 019        | 16957-ZE1-812     | PACKING, FUEL COCK                      | 1               |                       |
| 020        | 93500-030061H     | SCREW, PAN, 3X6                         | 2               |                       |
| 021        | 99101-ZH80620     | JET, MAIN, #62                          | (1)             |                       |
| 021        | 99101-ZH80650     | JET, MAIN, #65                          | (1)             |                       |
| 021        | 99101-ZH80680     | JET, MAIN, #68                          | 1               |                       |
| 022        | 99204-ZE00350     | JET SET, PILOT, #35                     | 1               |                       |
| 023        | 16141-ZOS-003     | WASHER, PLAIN (6.2X10.7 DRAIN)          | 1               |                       |
| 023        | 16141-ZOS-003     | WASHER, PLAIN (6.2X10.7 DRAIN)          | 1               |                       |



| Ref | Partnumber    | Description             | GXV160H2 | Serial Numbers |
|-----|---------------|-------------------------|----------|----------------|
| 001 | 15721-ZE7-000 | TUBE, BREATHER          | 1        |                |
| 002 | 17210-Z1V-003 | ELEMENT, AIR CLEANER    | 1        |                |
| 003 | 17218-888-003 | FILTER, OUTER           | 1        |                |
| 004 | 17220-Z1V-000 | CASE COMP., AIR CLEANER | 1        | 1794764        |
| 004 | 17220-Z1V-000 | CASE COMP., AIR CLEANER | 1        | 1962168        |
| 004 | 17220-Z1V-010 | CASE COMP., AIR CLEANER | 1        | 1962169        |
| 004 | 17220-Z1V-010 | CASE COMP., AIR CLEANER | 1        | 1962169        |
| 006 | 17232-891-000 | GROMMET, AIR CLEANER    | 2        |                |
| 007 | 17238-ZE7-710 | COLLAR, AIR CLEANER     | 2        |                |
| 007 | 17238-ZE7-710 | COLLAR, AIR CLEANER     | 2        |                |
| 008 | 17239-ZE6-300 | COLLAR B, AIR CLEANER   | 1        |                |
| 008 | 17239-ZE6-300 | COLLAR B, AIR CLEANER   | 1        |                |
| 009 | 90300-Z1V-000 | NUT, AIR CLEANER        | 2        |                |
| Ref | Partnumber    | Description             | GXV160H2 | Serial Numbers |
| 009 | 90300-Z1V-000 | NUT, AIR CLEANER        | 2        |                |
| 010 | 94050-06000   | NUT, FLANGE, 6MM        | 2        |                |
| 011 | 95701-0603500 | BOLT, FLANGE, 6X35      | 1        |                |
| 012 | 17231-Z1V-G01 | COVER, AIR CLEANER      | 1        |                |

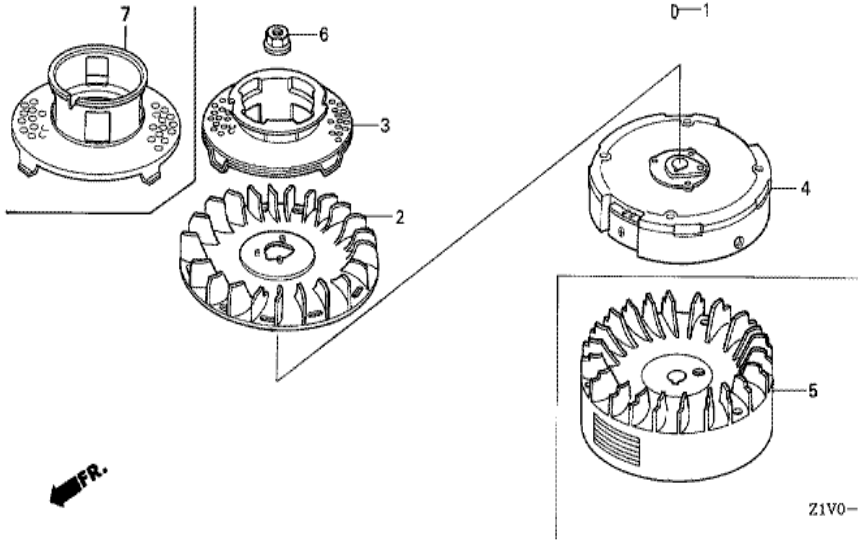


Z1V0-E1800

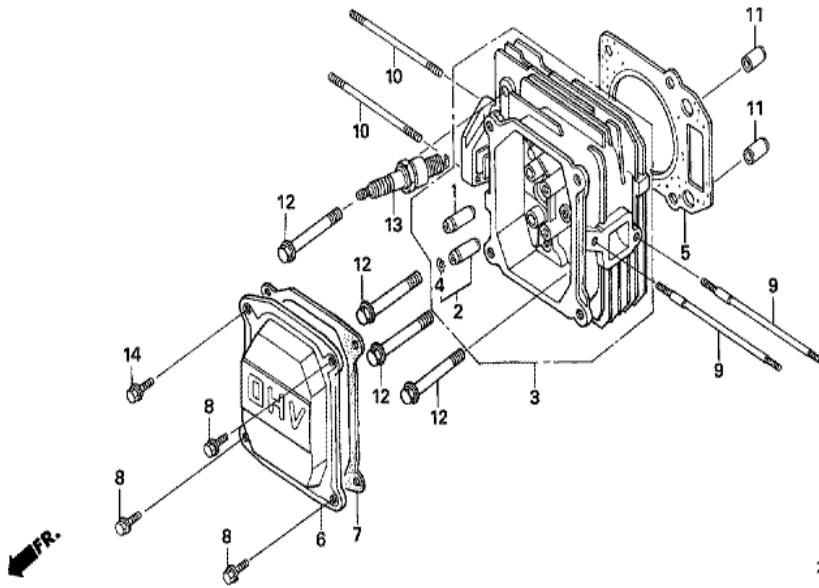
| Ref | Partnumber    | Description              | GXV160H2 | Serial Numbers |
|-----|---------------|--------------------------|----------|----------------|
| 001 | 06180-ZE6-820 | ARRESTER KIT, SPARK      | (1)      |                |
| 002 | 18292-ZE7-M10 | PACKING, PROTECTOR       | 2        |                |
| 003 | 18310-Z1V-000 | MUFFLER COMP.            | 1        | 1967027        |
| 003 | 18310-Z1V-010 | MUFFLER COMP.            | 1        |                |
| 003 | 18310-Z1V-010 | MUFFLER COMP.            | 1        | 1967028        |
| 004 | 18320-Z1V-010 | PROTECTOR COMP., MUFFLER | 1        |                |
| 005 | 18355-888-810 | ARRESTER, SPARK          | (1)      |                |
| 006 | 18381-ZE6-820 | GASKET, MUFFLER          | (1)      |                |
| 007 | 18381-Z1V-000 | GASKET, MUFFLER          | 1        |                |
| 008 | 90343-ZE6-000 | NUT, SELF-LOCK, 6MM      | 2        |                |





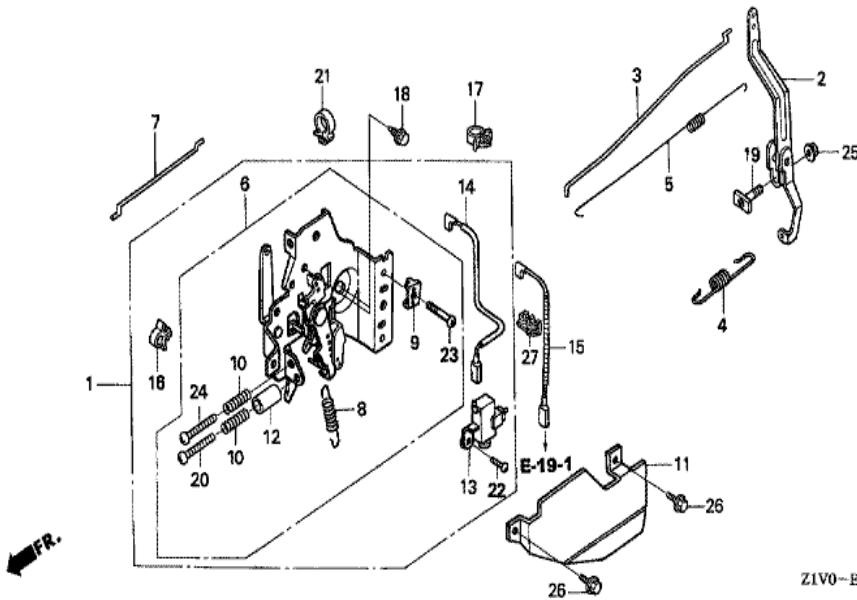


| Ref | Partnumber    | Description                  | GXV160H2 | Serial Numbers |
|-----|---------------|------------------------------|----------|----------------|
| 001 | 13331-357-000 | KEY, SPECIAL WOODRUFF, 25X18 | 1        |                |
| 003 | 28450-Z1V-700 | PULLEY COMP., STARTER        | 1        | 1916288        |
| 005 | 31110-Z1V-811 | FLYWHEEL COMP. (BRAKE)       | 1        |                |
| 005 | 31110-Z1V-811 | FLYWHEEL COMP. (BRAKE)       | 1        |                |
| 006 | 90201-Z1T-000 | NUT, SPECIAL, 14MM           | 1        |                |
| 007 | 28450-Z1V-000 | PULLEY COMP., STARTER        | 1        | 1916287        |
| 007 | 28450-Z1V-000 | PULLEY COMP., STARTER        | 1        | 1113863        |



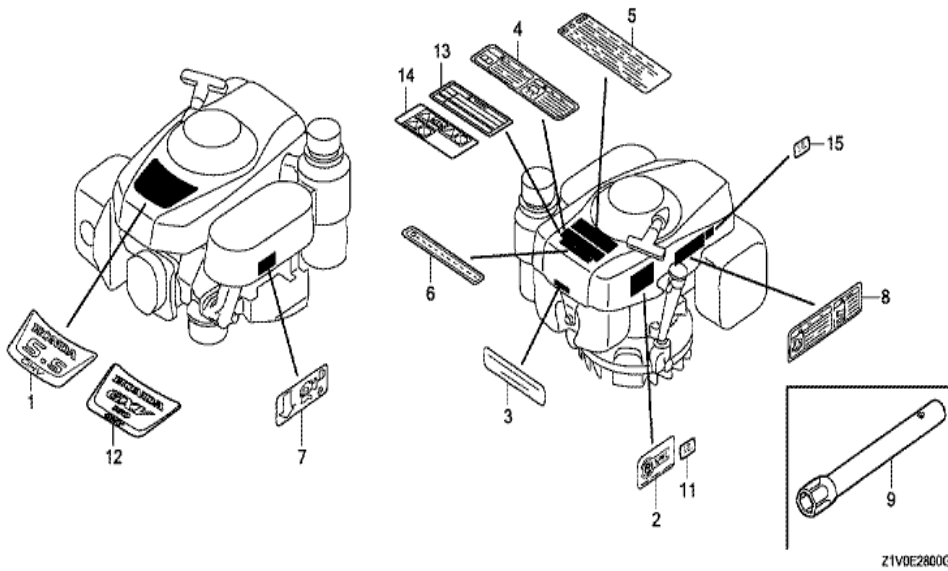
Z1V0-E0200C

| Ref | Partnumber    | Description                              | GXV160H2 | Serial Numbers |
|-----|---------------|--|----------|----------------|
| 001 | 12204-ZE1-306 | GUIDE, IN. VALVE (OS)                    | 1        |                |
| 002 | 12205-ZE1-315 | GUIDE, EX. VALVE (OS)                    | 1        |                |
| 003 | 12200-ZE7-405 | HEAD COMP., CYLINDER                     | 1        |                |
| 004 | 12216-ZE5-300 | CLIP, VALVE GUIDE                        | 1        |                |
| 005 | 12251-Z1V-003 | GASKET, CYLINDER HEAD (GUANGZHOU LEAKLES | 1        |                |
| 005 | 12251-Z1V-701 | GASKET, CYLINDER HEAD (NINGBO SIL GASKET | 1        |                |
| 005 | 12251-Z1V-701 | GASKET, CYLINDER HEAD (NINGBO SIL GASKET | 1        |                |
| 006 | 12311-ZG9-800 | COVER, HEAD                              | 1        |                |
| 007 | 12312-Z1V-701 | PACKING, HEAD COVER (NINGBO SIL GASKET)  | 1        |                |
| 007 | 12312-Z1V-701 | PACKING, HEAD COVER (NINGBO SIL GASKET)  | 1        |                |
| 007 | 12391-ZE7-M10 | PACKING, HEAD COVER                      | 1        |                |
| 007 | 12391-ZE7-M10 | PACKING, HEAD COVER                      | 1        |                |
| 008 | 90014-952-000 | BOLT, FLANGE, 6X14 (CT200)               | 3        |                |
| Ref | Partnumber    | Description                              | GXV160H2 | Serial Numbers |
| 009 | 90043-ZE6-000 | BOLT, STUD, 6X109                        | 2        |                |
| 010 | 90048-ZC3-000 | BOLT, STUD, 6X85                         | 2        |                |
| 011 | 94301-10160   | DOWEL PIN, 10X16                         | 2        |                |
| 012 | 95701-0805000 | BOLT, FLANGE, 8X50                       | 4        |                |
| 013 | 98079-54846   | PLUG, SPARK (BPR4ES) (NGK)               | (1)      |                |
| 013 | 98079-54855   | PLUG, SPARK (W14EPR-U) (DENSO)           | (1)      |                |
| 013 | 98079-55846   | PLUG, SPARK (BPR5ES) (NGK)               | 1        |                |
| 013 | 98079-55855   | PLUG, SPARK (W16EPR-U) (DENSO)           | 1        |                |
| 013 | 98079-56846   | PLUG, SPARK (BPR6ES) (NGK)               | (1)      |                |
| 013 | 98079-56855   | PLUG, SPARK (W20EPR-U) (DENSO)           | (1)      |                |
| 014 | 90014-952-000 | BOLT, FLANGE, 6X14 (CT200)               | 1        |                |



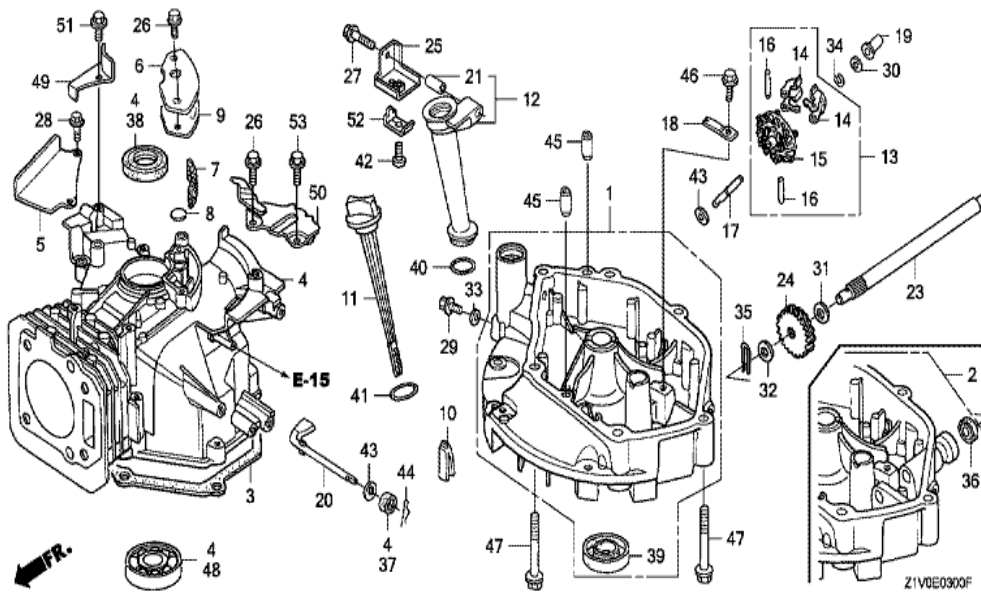
Z1V0-E2201B

| <u>Ref</u> | <u>Partnumber</u> | <u>Description</u>         | <u>GXV160H2</u> | <u>Serial Numbers</u> |
|------------|-------------------|----------------------------|-----------------|-----------------------|
| 001        | 16500-ZE7-W11     | CONTROL ASSY. (EN) (STD.)  | 1               |                       |
| 002        | 16551-ZE7-000     | ARM, GOVERNOR              | 1               |                       |
| 003        | 16555-ZE7-000     | ROD, GOVERNOR              | 1               |                       |
| 004        | 16561-ZE7-020     | SPRING, GOVERNOR           | 1               |                       |
| 005        | 16562-ZE6-000     | SPRING, THROTTLE RETURN    | 1               |                       |
| 006        | 16570-ZE7-W00     | CONTROL COMP. (STD.)       | 1               |                       |
| 007        | 16573-ZE7-000     | ROD, CHOKE                 | 1               |                       |
| 008        | 16576-ZE7-300     | SPRING, LEVER              | 1               |                       |
| 009        | 16576-891-000     | HOLDER, CABLE              | 1               |                       |
| 010        | 16584-883-300     | SPRING, CONTROL ADJUSTING  | 2               |                       |
| 011        | 16585-ZE7-000     | PROTECTOR, CONTROL         | 1               |                       |
| 012        | 16599-ZG1-M10     | COLLAR, STOPPER            | 1               |                       |
| 013        | 36100-ZE7-013     | SWITCH ASSY., ENGINE STOP  | 1               |                       |
| <u>Ref</u> | <u>Partnumber</u> | <u>Description</u>         | <u>GXV160H2</u> | <u>Serial Numbers</u> |
| 014        | 36101-ZE7-020     | CORD, STOP SWITCH          | 1               |                       |
| 016        | 36103-ZE1-000     | HOLDER, STOP SWITCH CORD   | 1               |                       |
| 017        | 46392-Z1V-003     | CLAMP, HARNESS             | 1               |                       |
| 018        | 90013-883-000     | BOLT, FLANGE, 6X12 (CT200) | 2               |                       |
| 019        | 90015-ZE5-010     | BOLT, GOVERNOR ARM         | 1               |                       |
| 020        | 90016-ZE7-W00     | SCREW, RECESSED, 5X28      | 1               |                       |
| 021        | 90659-Z1V-003     | CLIP, HARNESS              | 1               |                       |
| 022        | 93500-040080A     | SCREW, PAN, 4X8            | 1               |                       |
| 023        | 93500-050160A     | SCREW, PAN, 5X16           | 1               |                       |
| 024        | 93500-050200A     | SCREW, PAN, 5X20           | 1               |                       |
| 025        | 94050-06000       | NUT, FLANGE, 6MM           | 1               |                       |
| 026        | 95701-0601000     | BOLT, FLANGE, 6X10         | 2               |                       |



Z1V0E2800G

| Ref | Partnumber    | Description                             | GXV160H2 | Serial Numbers |
|-----|---------------|---|----------|----------------|
| 003 | 87504-Z1V-000 | MARK, MANUFACTURER                      | 1        |                |
| 007 | 87524-Z1V-000 | MARK, FUEL COCK CAUTION                 | 1        |                |
| 009 | 99004-21003   | WRENCH, BOX (P21)                       | 1        |                |
| 011 | 87114-ZH7-840 | LABEL, WARNING (NOT CERTIFIED FOR SALE) | 1        |                |
| 012 | 87101-Z1V-020 | MARK, EMBLEM (GXV160)                   | 1        |                |
| 014 | 87519-Z4N-000 | MARK, OPERATOR CAUTION (PICTOGRAPH)     | 1        |                |



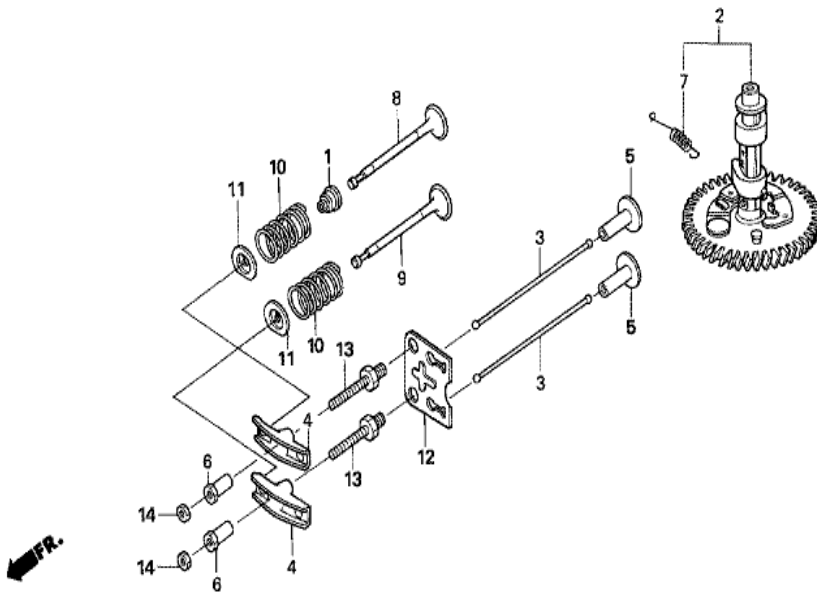
| Ref | Partnumber    | Description                          | GXV160H2 | Serial Numbers |
|-----|---------------|--------------------------------------|----------|----------------|
| 001 | 11300-Z1V-406 | PAN ASSY., OIL                       | 1        |                |
| 003 | 11381-Z1V-701 | PACKING, OIL PAN (NINGBO SIL GASKET) | 1        |                |
| 003 | 11381-Z1V-701 | PACKING, OIL PAN (NINGBO SIL GASKET) | 1        |                |
| 003 | 11381-ZE7-M10 | PACKING, OIL PAN                     | 1        |                |
| 003 | 11381-ZE7-M10 | PACKING, OIL PAN                     | 1        |                |
| 004 | 12000-Z2J-405 | BARREL ASSY., CYLINDER               | 1        |                |
| 005 | 12125-Z1V-000 | PLATE, GUIDE                         | 1        |                |
| 006 | 12355-Z1V-000 | COVER COMP., BREATHER                | 1        |                |
| 007 | 12367-883-003 | FILTER, BREATHER                     | 1        |                |
| 008 | 12372-ZE7-000 | VALVE, BREATHER                      | 1        |                |
| 009 | 12373-ZE7-000 | PACKING, BREATHER COVER              | 1        |                |
| 010 | 15335-ZE7-000 | RUBBER, OIL RETURN                   | 1        |                |
| 011 | 15620-ZE6-810 | GAUGE COMP., OIL LEVEL               | 1        |                |

| <u>Ref</u> | <u>Partnumber</u> | <u>Description</u>           | <u>GXV160H2</u> | <u>Serial Numbers</u> |
|------------|-------------------|------------------------------|-----------------|-----------------------|
| 012        | 15630-ZE6-810     | EXTENSION, OIL FILLER        | 1               |                       |
| 013        | 16510-ZE6-000     | GOVERNOR ASSY.               | 1               |                       |
| 014        | 16511-ZE1-000     | WEIGHT, GOVERNOR             | 2               |                       |
| 015        | 16512-ZE6-000     | HOLDER, GOVERNOR WEIGHT      | 1               |                       |
| 016        | 16513-ZE1-000     | PIN, GOVERNOR WEIGHT         | 2               |                       |
| 017        | 16515-ZE6-010     | SHAFT, GOVERNOR HOLDER       | 1               |                       |
| 018        | 16525-ZE6-010     | PLATE, GOVERNOR SHAFT HOLDER | 1               |                       |
| 019        | 16531-Z1T-000     | SLIDER, GOVERNOR             | 1               |                       |
| 020        | 16541-ZE7-000     | SHAFT, GOVERNOR ARM          | 1               |                       |
| 021        | 17240-ZE6-000     | COLLAR, EXTENSION            | 1               |                       |
| 026        | 90014-952-000     | BOLT, FLANGE, 6X14 (CT200)   | 3               |                       |
| 027        | 90017-883-000     | BOLT, FLANGE, 6X32 (CT200)   | 1               |                       |
| 028        | 90022-888-010     | BOLT, FLANGE, 6X20 (CT200)   | 2               |                       |
| 029        | 90131-ZE1-000     | BOLT, DRAIN PLUG             | 1               |                       |
| 030        | 90451-ZE1-000     | WASHER, THRUST, 6MM          | 1               |                       |
| 030        | 90451-ZE1-000     | WASHER, THRUST, 6MM          | 1               |                       |
| 033        | 90601-ZE1-000     | WASHER, DRAIN PLUG, 10.2MM   | 1               |                       |
| 034        | 90602-ZE1-000     | CLIP, GOVERNOR HOLDER        | 1               |                       |
| 037        | 91231-Z1V-003     | OIL SEAL, 6X11X4 (ARAI)      | 1               |                       |
| 038        | 91251-Z1V-003     | OIL SEAL, 25X38X7 (ARAI)     | 1               |                       |
| 039        | 91252-Z1V-003     | OIL SEAL, 25.4X40X7          | 1               |                       |
| 040        | 91301-Z1V-003     | O-RING, 22.1X2.2             | 1               |                       |
| 041        | 91302-Z1V-003     | O-RING, 25.5X3               | 1               |                       |
| 043        | 94101-06800       | WASHER, PLAIN, 6MM           | 2               |                       |
| 044        | 94251-08000       | PIN, LOCK, 8MM               | 1               |                       |
| 045        | 94301-08140       | DOWEL PIN, 8X14              | 2               |                       |
| 046        | 95701-0601208     | BOLT, FLANGE, 6X12           | 1               |                       |
| 047        | 95701-0805000     | BOLT, FLANGE, 8X50           | 6               |                       |
| 048        | 96100-6205000     | BEARING, RADIAL BALL, 6205   | 1               |                       |
| 049        | 12126-Z1V-000     | PLATE A, GUIDE               | 1               |                       |
| 050        | 17560-Z1V-000     | STAY COMP., TANK             | 1               |                       |
| 051        | 90013-883-000     | BOLT, FLANGE, 6X12 (CT200)   | 1               |                       |
| 053        | 90014-952-000     | BOLT, FLANGE, 6X14 (CT200)   | 1               |                       |





| <u>Ref</u> | <u>Partnumber</u> | <u>Description</u>                       | <u>GXV160H2</u> | <u>Serial Numbers</u> |
|------------|-------------------|--|-----------------|-----------------------|
| 001        | 13012-Z1T-701     | RING SET, PISTON (0.50) (FUJIAN DONGYA M |                 | (1)                   |
| 001        | 13012-Z4K-004     | RING SET, PISTON (0.50) (TPR)            |                 | (1)                   |
| 001        | 13012-Z4K-004     | RING SET, PISTON (0.50) (TPR)            |                 | (1)                   |
| 001        | 13012-Z4P-003     | RING SET, PISTON (0.50) (RIKEN)          |                 | (1)                   |
| 001        | 13012-Z4P-003     | RING SET, PISTON (0.50) (RIKEN)          |                 | (1)                   |
| 001        | 13013-Z1T-701     | RING SET, PISTON (0.75) (FUJIAN DONGYA M |                 | (1)                   |
| 001        | 13013-Z1T-701     | RING SET, PISTON (0.75) (FUJIAN DONGYA M |                 | (1)                   |
| 001        | 13013-Z4K-004     | RING SET, PISTON (0.75) (TPR)            |                 | (1)                   |
| 001        | 13013-Z4K-004     | RING SET, PISTON (0.75) (TPR)            |                 | (1)                   |
| 001        | 13013-Z4P-003     | RING SET, PISTON (0.75) (RIKEN)          |                 | (1)                   |
| 001        | 13013-Z4P-003     | RING SET, PISTON (0.75) (RIKEN)          |                 | (1)                   |
| 002        | 13101-Z1T-010     | PISTON (STD.) (JIALING-HONDA)            |                 | 1                     |
| 002        | 13101-ZH8-020     | PISTON (STD.)                            |                 | 1                     |
| 002        | 13102-ZH8-020     | PISTON (0.25)                            |                 | (1)                   |
| 002        | 13103-ZH8-020     | PISTON (0.50)                            |                 | (1)                   |
| 002        | 13104-ZH8-020     | PISTON (0.75)                            |                 | (1)                   |
| 003        | 13111-Z1T-000     | PIN, PISTON                              |                 | 1                     |
| 004        | 13200-Z1V-000     | ROD ASSY., CONNECTING                    |                 | 1                     |
| 006        | 13310-ZE7-641     | CRANKSHAFT COMP.                         |                 | 1                     |
| 010        | 90001-ZE1-000     | BOLT, CONNECTING ROD                     |                 | 2                     |
| 010        | 90001-ZE1-000     | BOLT, CONNECTING ROD                     |                 | 2                     |
| 011        | 90401-ZE7-W00     | WASHER, THRUST, 25.6MM                   |                 | 1                     |
| 012        | 90551-ZE1-000     | CLIP, PISTON PIN, 18MM                   |                 | 2                     |



Z1V0-E0900A

| <u>Ref</u> | <u>Partnumber</u> | <u>Description</u>         | <u>GXV160H2</u> | <u>Serial Numbers</u> |
|------------|-------------------|----------------------------|-----------------|-----------------------|
| 001        | 12209-ZE6-003     | SEAL, VALVE STEM           | 1               |                       |
| 002        | 14100-ZE7-000     | CAMSHAFT ASSY.             | 1               |                       |
| 003        | 14410-ZE1-010     | ROD, PUSH                  | 2               |                       |
| 004        | 14431-ZE1-000     | ARM, VALVE ROCKER          | 2               |                       |
| 005        | 14441-ZE1-010     | LIFTER, VALVE              | 2               |                       |
| 006        | 14451-Z7E-000     | PIVOT, ROCKER ARM          | 2               |                       |
| 007        | 14568-ZE1-000     | SPRING, WEIGHT RETURN      | 1               |                       |
| 008        | 14711-ZF1-000     | VALVE, IN.                 | 1               |                       |
| 009        | 14721-ZE7-000     | VALVE, EX.                 | 1               |                       |
| 010        | 14751-ZE1-000     | SPRING, VALVE              | 2               |                       |
| 011        | 14771-ZE1-000     | RETAINER, IN. VALVE SPRING | 2               |                       |
| 012        | 14791-ZE1-010     | PLATE, PUSH ROD GUIDE      | 1               |                       |
| 013        | 90012-ZE0-010     | BOLT, PIVOT, 8MM           | 2               |                       |
| <u>Ref</u> | <u>Partnumber</u> | <u>Description</u>         | <u>GXV160H2</u> | <u>Serial Numbers</u> |
| 014        | 90206-ZE1-000     | NUT, PIVOT ADJUSTING       | 2               |                       |