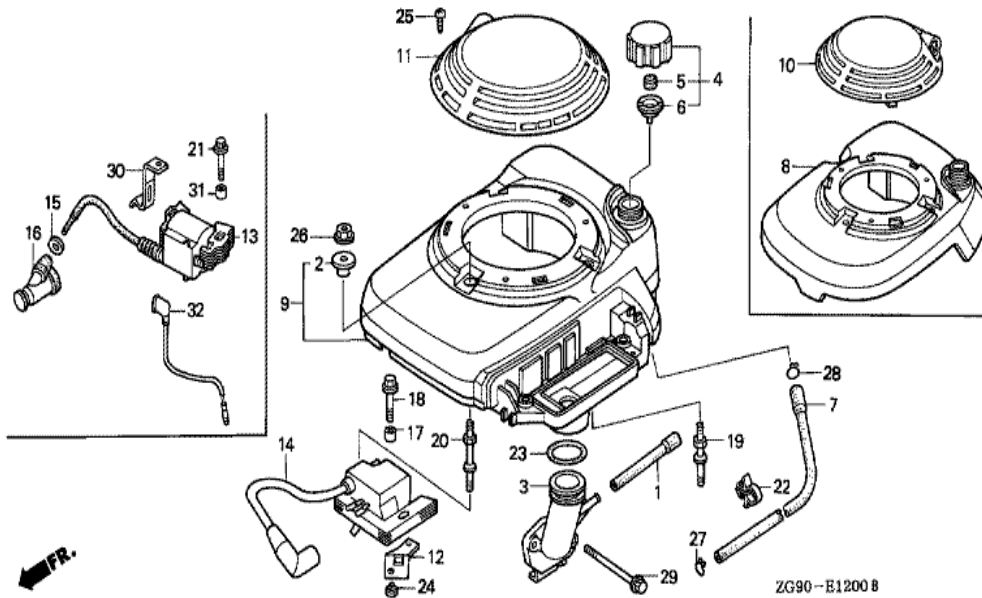
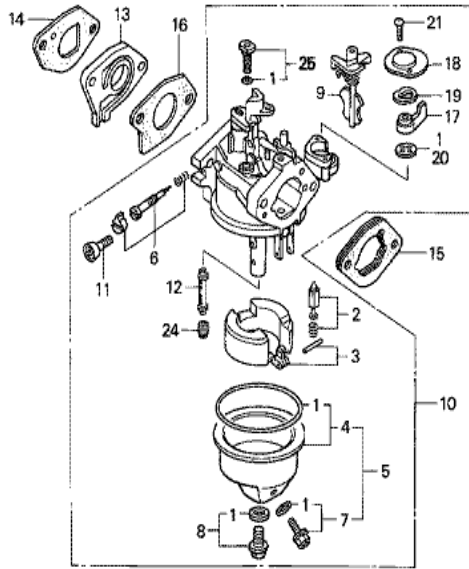


| Ref | Partnumber | Description | GXV140 | Serial Numbers |
|-----|---------------|-----------------------|--------|----------------|
| 001 | 28400-ZG9-803 | STARTER ASSY., RECOIL | 1 | |
| 002 | 28402-ZG9-802 | HOUSING ASSY. | 1 | |
| 003 | 28415-ZG9-802 | PULLEY & SPRING ASSY. | 1 | |
| 004 | 28419-ZG9-802 | PIN, CENTER | 1 | |
| 005 | 28431-ZG9-802 | PLATE A, FRICTION | 1 | |
| 006 | 28432-ZG9-802 | PLATE B, FRICTION | 1 | |
| 007 | 28441-ZG9-802 | SPRING, FRICTION | 1 | |
| 008 | 28444-ZG9-802 | RETAINER | 1 | |
| 009 | 28461-ZE6-T02 | HANDLE | 1 | |
| 011 | 28462-ZG9-802 | ROPE, RECOIL STARTER | 1 | |
| 012 | 28463-ZE6-T02 | HANDLE, REINFORCEMENT | 1 | |
| 013 | 28485-ZE6-T02 | DOG | 2 | |
| 014 | 28486-ZE6-T02 | SPRING, DOG | 2 | |

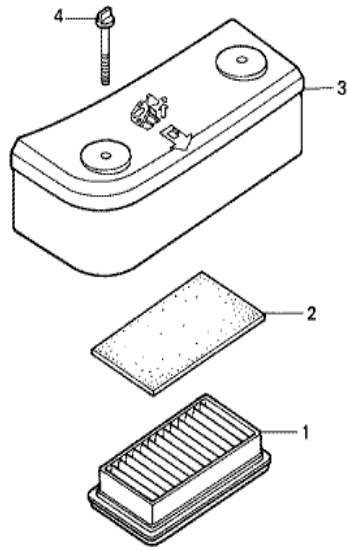


| <u>Ref</u> | <u>Partnumber</u> | <u>Description</u> | <u>GXV140</u> | <u>Serial Numbers</u> |
|------------|-------------------|---|---------------|-----------------------|
| 001 | 15721-ZE6-010 | TUBE, BREATHER (180MM) | 1 | |
| 002 | 17216-PE2-003 | COLLAR, AIR CLEANER (TOYO ROKI) | 3 | |
| 003 | 17410-ZG9-800 | ELBOW COMP., AIR CLEANER | 1 | 7359878 |
| 004 | 17620-ZG9-000 | CAP ASSY., FUEL TANK | 1 | |
| 005 | 17622-888-010 | SPONGE, FUEL CAP BREATHER | 1 | |
| 006 | 17624-ZE7-000 | PACKING, FUEL CAP | 1 | |
| 007 | 17701-ZG9-800 | TUBE, FUEL TANK (280MM) | 1 | 7359878 |
| 009 | 19610-ZG9-801ZA | COVER COMP., FAN *NH1 * | 1 | |
| 011 | 19615-ZG9-801ZA | HOOD, FAN COVER (GRAINED FINISH) *NH1 * | 1 | |
| 014 | 30500-ZG9-801 | COIL ASSY., IGNITION | 1 | |
| 017 | 75133-960-000 | COLLAR, ROTO-STOP | 2 | |
| 018 | 90017-883-000 | BOLT, FLANGE, 6X32 (CT200) | 1 | |
| 019 | 90041-ZG9-800 | BOLT, STUD (BRAKE) | 2 | |
| <u>Ref</u> | <u>Partnumber</u> | <u>Description</u> | <u>GXV140</u> | <u>Serial Numbers</u> |
| 020 | 90042-ZG9-800 | BOLT, STUD (C) | 1 | |
| 022 | 90682-959-661 | CLIP B, CABLE (9MM BLACK) | 1 | |
| 023 | 91301-ZG9-800 | O-RING, 33.3X3.5 | 1 | 7359878 |
| 025 | 93913-24580 | SCREW, TAPPING, 4X20 | 1 | |
| 026 | 94050-06000 | NUT, FLANGE, 6MM | 3 | |
| 027 | 95002-02080 | CLIP, TUBE (B8) | 1 | 8248059 |
| 028 | 95002-02100 | CLIP, TUBE (B10) | 1 | |
| 029 | 95801-0610000 | BOLT, FLANGE, 6X100 | 2 | 7359878 |



ZG90-E1400

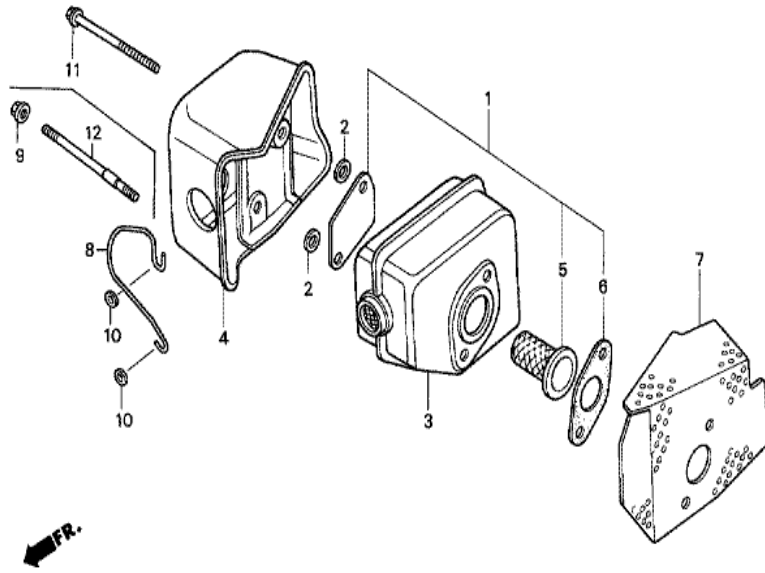
| Ref | Partnumber | Description | GXV140 | Serial Numbers |
|-----|---------------|----------------------------|--------|-----------------|
| 001 | 16010-ZE0-025 | GASKET SET | 1 | BE53A D BE53A D |
| 001 | 16010-ZG9-800 | GASKET SET | 1 | BE53A C |
| 002 | 16011-ZE0-005 | VALVE SET, FLOAT | 1 | BE53A D |
| 003 | 16013-ZE0-005 | FLOAT SET | 1 | BE53A D |
| 004 | 16015-ZG9-800 | CHAMBER SET, FLOAT | 1 | BE53A B BE53A C |
| 005 | 16015-ZE1-811 | CHAMBER SET, FLOAT | 1 | BE53A C |
| 006 | 16016-ZH7-W01 | SCREW SET, PILOT | 1 | BE53A D |
| 007 | 16024-ZE1-811 | SCREW SET, DRAIN | 1 | BE53A D |
| 008 | 16028-ZE0-005 | SCREW SET | 1 | BE53A D |
| 009 | 16045-ZE7-005 | CHOKE SET | 1 | BE53A D |
| 010 | 16100-ZG9-801 | CARBURETOR ASSY. (BE53A B) | 1 | 6657869 7165997 |
| 010 | 16100-ZG9-803 | CARBURETOR ASSY. (BE53A D) | 1 | 7165998 |
| 011 | 16124-ZE0-005 | SCREW, THROTTLE STOP | 1 | BE53A D |
| Ref | Partnumber | Description | GXV140 | Serial Numbers |
| 012 | 16166-ZG9-801 | NOZZLE, MAIN | 1 | BE53A B BE53A D |
| 013 | 16211-ZG9-000 | INSULATOR, CARBURETOR | 1 | 7359878 |
| 014 | 16212-ZG9-T00 | PACKING, CARBURETOR | 1 | 7359878 |
| 015 | 16220-ZE6-010 | SPACER COMP., CARBURETOR | 1 | 7359878 |
| 016 | 16221-ZG9-T00 | PACKING, CARBURETOR | 1 | 7359878 |
| 017 | 16953-ZE1-812 | LEVER, COCK | 1 | BE53A D |
| 018 | 16954-ZE1-812 | PLATE, LEVER SETTING | 1 | |
| 019 | 16956-ZE1-811 | SPRING, COCK LEVER | 1 | BE53A D |
| 020 | 16957-ZE1-812 | PACKING, FUEL COCK | 1 | BE53A D |
| 021 | 93500-030061H | SCREW, PAN, 3X6 | 2 | |
| 021 | 93500-030081G | SCREW, PAN, 3X8 | 2 | BE53A B |
| 024 | 99101-ZH80520 | JET, MAIN, #52 | (1) | |
| 024 | 99101-ZH80550 | JET, MAIN, #55 | (1) | BE53A B |
| 024 | 99101-ZH80580 | JET, MAIN, #58 | 1 | BE53A B |
| 025 | 99204-ZE20380 | JET SET, PILOT, #38 | 1 | BE53A B BE53A D |



FR.

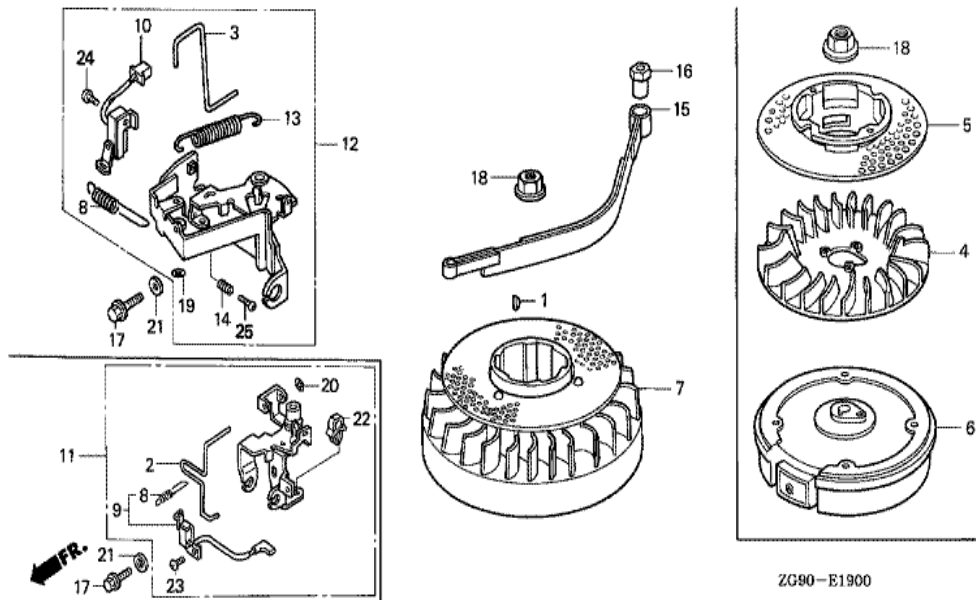
ZG90-E1500

| Ref | Partnumber | Description | GXV140 | Serial Numbers |
|-----|-----------------|---------------------------|--------|----------------|
| 001 | 17211-ZG9-800 | ELEMENT, AIR CLEANER | 1 | |
| 002 | 17218-ZG9-800 | FILTER, OUTER | 1 | 7359878 |
| 003 | 17231-ZG9-800ZA | COVER, AIR CLEANER *NH1 * | 1 | |
| 004 | 90004-ZG9-M00 | BOLT, AIR CLEANER, 6MM | 2 | 7359896 |

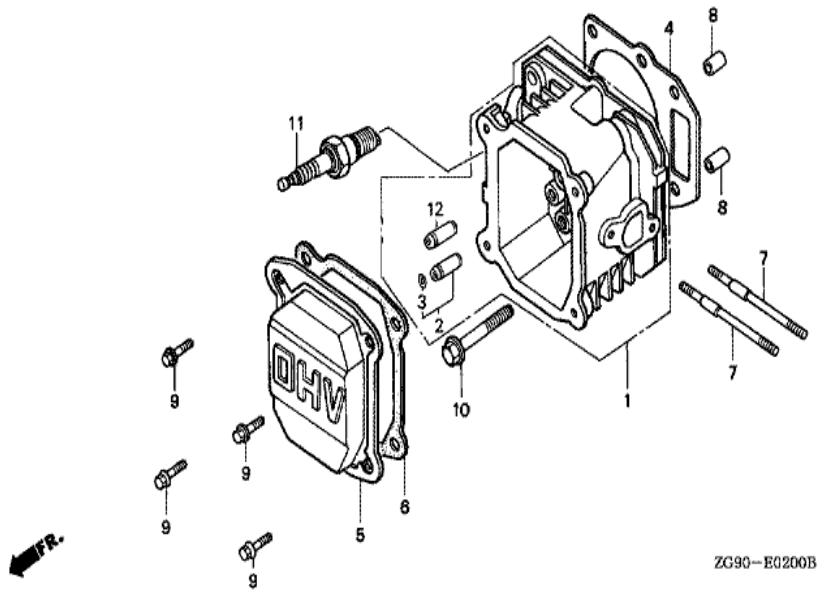


ZG90-E1800

| Ref | Partnumber | Description | GXV140 | Serial Numbers |
|-----|---------------|--------------------------|--------|----------------|
| 001 | 06180-ZE6-820 | ARRESTER KIT, SPARK | (1) | |
| 003 | 18310-ZG9-J01 | MUFFLER COMP. | 1 | 6839527 |
| 004 | 18320-ZG9-M01 | PROTECTOR COMP., MUFFLER | 1 | |
| 005 | 18355-888-810 | ARRESTER, SPARK | (1) | |
| 006 | 18381-ZE6-820 | GASKET, MUFFLER | (1) | |
| 007 | 18381-ZG9-M00 | GASKET, MUFFLER | 1 | |
| 011 | 95801-0608500 | BOLT, FLANGE, 6X85 | 2 | 8103698 |

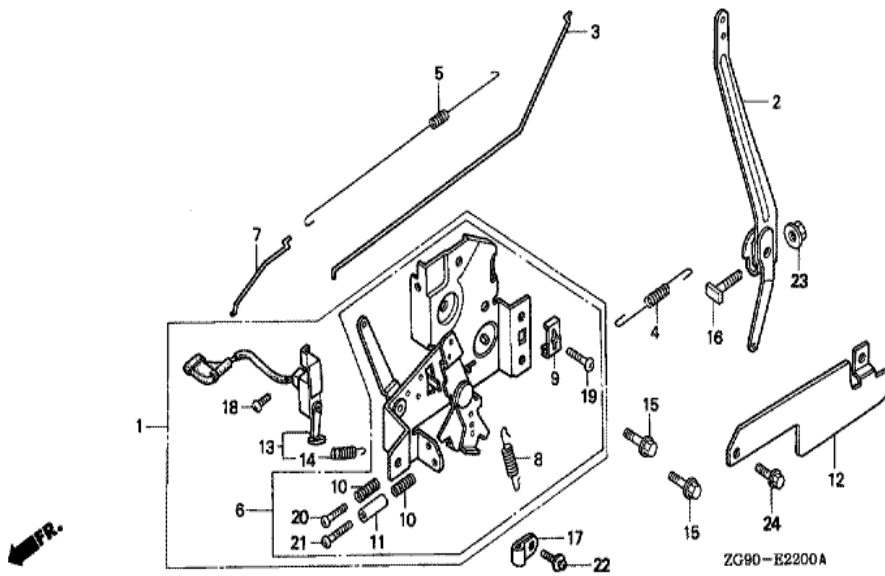


| <u>Ref</u> | <u>Partnumber</u> | <u>Description</u> | <u>GXV140</u> | <u>Serial Numbers</u> |
|------------|-------------------|-----------------------------------|---------------|-----------------------|
| 001 | 13331-357-000 | KEY, SPECIAL WOODRUFF, 25X18 | 1 | |
| 003 | 16566-ZG9-800 | ROD, GOVERNOR ARM RETURN | 1 | |
| 007 | 31105-ZG9-800 | FLYWHEEL ASSY. | 1 | |
| 008 | 35129-ZG9-800 | SPRING, SWITCH CONTROL | 1 | |
| 010 | 36100-ZG9-811 | SWITCH ASSY., ENGINE STOP (BRAKE) | 1 | |
| 012 | 75101-ZG9-801 | LEVER ASSY., BRAKE | 1 | |
| 013 | 75113-ZG9-800 | SPRING, BRAKE LEVER | 1 | |
| 014 | 75114-ZG9-800 | SPRING, BRAKE ADJUSTING | 1 | |
| 015 | 75120-ZG9-801 | BRAKE COMP. | 1 | |
| 016 | 75123-ZG9-800 | COLLAR, BRAKE SHAFT | 1 | |
| 017 | 90014-952-000 | BOLT, FLANGE, 6X14 (CT200) | 1 | |
| 018 | 90201-878-003 | NUT, SPECIAL, 14MM | 1 | |
| 019 | 90310-ZB7-701 | NUT, PUSH, 2.6 | 1 | |
| <u>Ref</u> | <u>Partnumber</u> | <u>Description</u> | <u>GXV140</u> | <u>Serial Numbers</u> |
| 021 | 90461-357-000 | WASHER, SEALING, 12MM | 1 | |
| 024 | 93500-040080A | SCREW, PAN, 4X8 | 1 | |
| 025 | 93500-050120A | SCREW, PAN, 5X12 | 1 | |

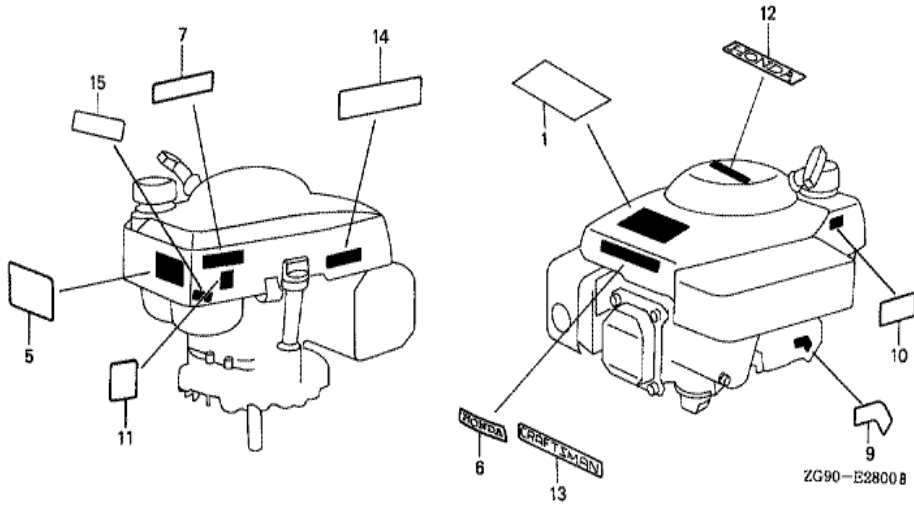


ZG90-E0200B

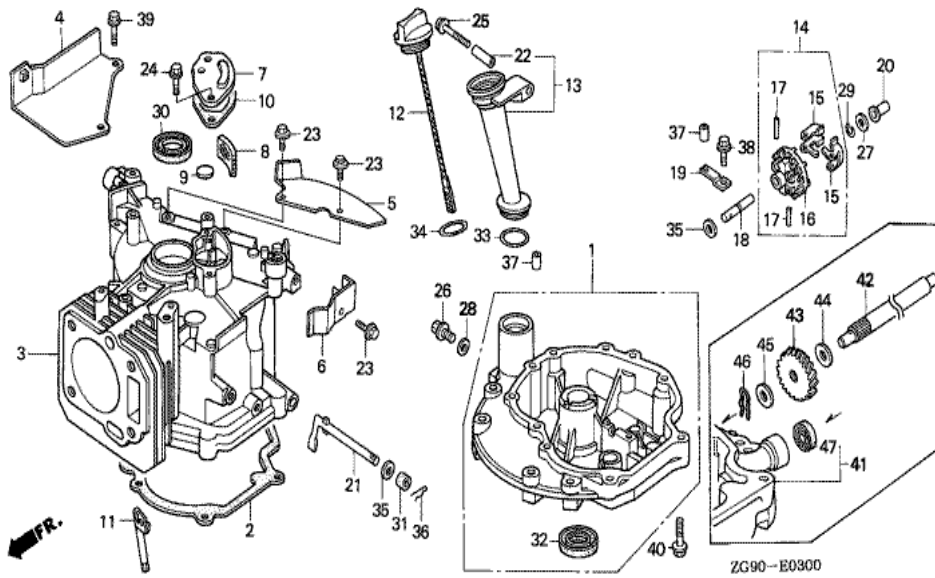
| <u>Ref</u> | <u>Partnumber</u> | <u>Description</u> | <u>GXV140</u> | <u>Serial Numbers</u> |
|------------|-------------------|----------------------------|---------------|-----------------------|
| 001 | 12200-ZG9-800 | HEAD COMP., CYLINDER (USA) | 1 | 6324985 |
| 001 | 12200-ZG9-P40 | HEAD COMP., CYLINDER (USA) | 1 | 6324986 7663555 |
| 002 | 12205-ZE1-315 | GUIDE, EX. VALVE (OS) | (1) | |
| 003 | 12216-ZE5-300 | CLIP, VALVE GUIDE | 1 | |
| 004 | 12251-ZG9-000 | GASKET, CYLINDER HEAD | 1 | |
| 005 | 12311-ZG9-800 | COVER, HEAD | 1 | |
| 006 | 12391-ZG9-800 | PACKING, HEAD COVER | 1 | |
| 008 | 94301-10160 | DOWEL PIN, 10X16 | 2 | |
| 009 | 95701-0601400 | BOLT, FLANGE, 6X14 | 4 | 6839526 |
| 010 | 95701-0805000 | BOLT, FLANGE, 8X50 | 4 | |
| 011 | 98079-54846 | PLUG, SPARK (BPR4ES) (NGK) | (1) | |
| 011 | 98079-55846 | PLUG, SPARK (BPR5ES) (NGK) | 1 | |
| 011 | 98079-56846 | PLUG, SPARK (BPR6ES) (NGK) | (1) | |
| <u>Ref</u> | <u>Partnumber</u> | <u>Description</u> | <u>GXV140</u> | <u>Serial Numbers</u> |
| 012 | 12204-ZE1-306 | GUIDE, IN. VALVE (OS) | (1) | 6324986 |



| <u>Ref</u> | <u>Partnumber</u> | <u>Description</u> | <u>GXV140</u> | <u>Serial Numbers</u> |
|------------|-------------------|----------------------------|---------------|-----------------------|
| 002 | 16551-ZE6-U40 | ARM COMP., GOVERNOR (C,G) | 1 | 7359878 |
| 003 | 16555-ZE6-000 | ROD, GOVERNOR | 1 | 7359878 |
| 004 | 16561-ZE6-010 | SPRING, GOVERNOR | 1 | 7359878 |
| 005 | 16562-ZE6-000 | SPRING, THROTTLE RETURN | 1 | 7359878 |
| 006 | 16570-ZE6-U50 | CONTROL COMP. | 1 | |
| 007 | 16573-ZE6-010 | ROD, CHOKE | 1 | 7359878 |
| 008 | 16574-ZG9-M00 | SPRING, LEVER | 1 | 7359878 |
| 009 | 16576-891-000 | HOLDER, CABLE | 1 | 7359878 |
| 010 | 16584-883-300 | SPRING, CONTROL ADJUSTING | 2 | |
| 015 | 90014-952-000 | BOLT, FLANGE, 6X14 (CT200) | 2 | |
| 016 | 90015-ZE5-010 | BOLT, GOVERNOR ARM | 1 | 7359878 |
| 017 | 90628-ZC0-701 | CLIP (4.4MM) | 1 | |
| 019 | 93500-050160A | SCREW, PAN, 5X16 | 1 | |
| <u>Ref</u> | <u>Partnumber</u> | <u>Description</u> | <u>GXV140</u> | <u>Serial Numbers</u> |
| 020 | 93500-050200A | SCREW, PAN, 5X20 | 1 | 7359878 |
| 021 | 93500-050250A | SCREW, PAN, 5X25 | 1 | 7359878 |
| 022 | 93893-0401200 | SCREW-WASHER, 4X12 | 1 | |
| 023 | 94050-06000 | NUT, FLANGE, 6MM | 1 | |

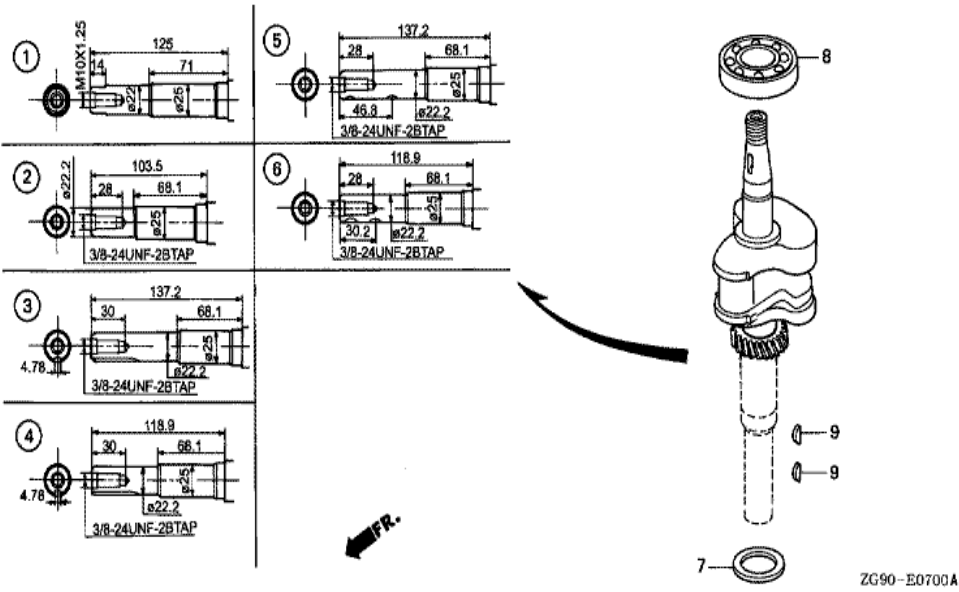


| Ref | Partnumber | Description | GXV140 | Serial Numbers |
|-----|---------------|---------------------|--------|----------------|
| 001 | 87101-ZG9-V50 | EMBLEM (AYP) | 1 | |
| 012 | 87531-ZG9-V50 | MARK, HONDA (WHITE) | 1 | |
| 013 | 87610-ZG9-V50 | MARK, CRAFTSMAN | 1 | |

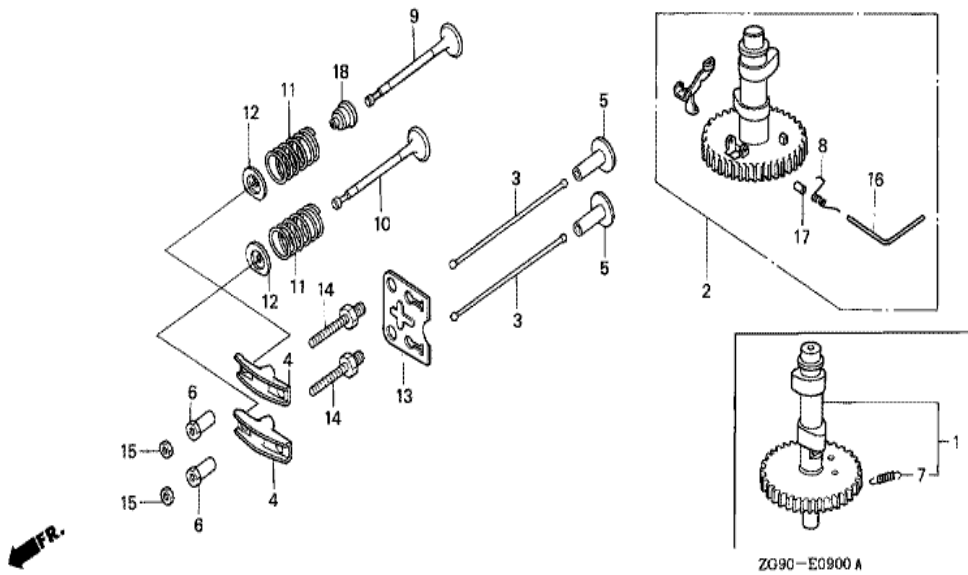


| Ref | Partnumber | Description | GXV140 | Serial Numbers |
|-----|---------------|-----------------------------|--------|----------------|
| 001 | 11300-ZG9-V50 | PAN ASSY., OIL | 1 | 7170417 |
| 001 | 11300-ZG9-V51 | PAN ASSY., OIL | 1 | 7170418 |
| 002 | 11381-ZG9-T00 | PACKING, OIL PAN | 1 | |
| 003 | 12100-ZG9-405 | BARREL COMP., CYLINDER | 1 | |
| 004 | 12125-ZG9-000 | PLATE, GUIDE | 1 | |
| 005 | 12126-ZG9-M30 | PLATE A, GUIDE | 1 | |
| 007 | 12360-ZE6-000 | CAP COMP., BREATHER CHAMBER | 1 | |
| 008 | 12367-ZE6-010 | FILTER, BREATHER | 1 | |
| 009 | 12372-879-000 | VALVE, BREATHER | 1 | |
| 010 | 12373-ZE6-000 | PACKING, BREATHER CHAMBER | 1 | |
| 011 | 12385-ZE6-000 | PIPE, OIL DEFENSE | 1 | |
| 012 | 15620-ZE6-810 | GAUGE COMP., OIL LEVEL | 1 | |
| 013 | 15630-ZE6-810 | EXTENSION, OIL FILLER | 1 | |

| <u>Ref</u> | <u>Partnumber</u> | <u>Description</u> | <u>GXV140</u> | <u>Serial Numbers</u> |
|------------|-------------------|------------------------------|---------------|-----------------------|
| 014 | 16510-ZE6-000 | GOVERNOR ASSY. | 1 | |
| 015 | 16511-ZE1-000 | WEIGHT, GOVERNOR | 2 | |
| 016 | 16512-ZE6-000 | HOLDER, GOVERNOR WEIGHT | 1 | |
| 017 | 16513-ZE1-000 | PIN, GOVERNOR WEIGHT | 2 | |
| 018 | 16515-ZE6-000 | SHAFT, GOVERNOR HOLDER | 1 | |
| 019 | 16525-ZE6-010 | PLATE, GOVERNOR SHAFT HOLDER | 1 | |
| 020 | 16531-ZE1-000 | SLIDER, GOVERNOR | 1 | |
| 021 | 16541-ZE7-000 | SHAFT, GOVERNOR ARM | 1 | |
| 022 | 17240-ZE6-000 | COLLAR, EXTENSION | 1 | |
| 023 | 90013-883-000 | BOLT, FLANGE, 6X12 (CT200) | 3 | 7359878 |
| 024 | 90014-952-000 | BOLT, FLANGE, 6X14 (CT200) | 2 | |
| 025 | 90017-883-000 | BOLT, FLANGE, 6X32 (CT200) | 1 | |
| 026 | 90131-ZE1-000 | BOLT, DRAIN PLUG | 1 | |
| 027 | 90451-898-000 | WASHER, THRUST, 6MM | 1 | |
| 028 | 90601-ZE1-000 | WASHER, DRAIN PLUG, 10.2MM | 1 | |
| 029 | 90602-ZE1-000 | CLIP, GOVERNOR HOLDER | 1 | |
| 030 | 91202-ZE6-003 | OIL SEAL, 22X35X6 | 1 | |
| 031 | 91231-891-003 | OIL SEAL, 6X11X4 (ARAI) | 1 | |
| 032 | 91252-888-003 | OIL SEAL, 25X38X7 (ARAI) | 1 | |
| 033 | 91301-ZE9-003 | O-RING, 22.1X2.2 | 1 | |
| 034 | 91301-805-000 | O-RING, 26X2.7 | 1 | |
| 035 | 94101-06800 | WASHER, PLAIN, 6MM | 2 | |
| 036 | 94251-08000 | PIN, LOCK, 8MM | 1 | |
| 037 | 94301-08140 | DOWEL PIN, 8X14 | 2 | |
| 038 | 95701-0601208 | BOLT, FLANGE, 6X12 | 1 | |
| 039 | 95701-0602000 | BOLT, FLANGE, 6X20 | 2 | |
| 040 | 95701-0602800 | BOLT, FLANGE, 6X28 | 7 | |

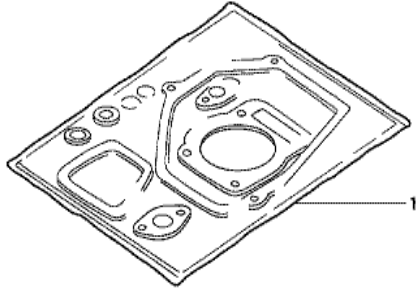


| Ref | Partnumber | Description | GXV140 | Serial Numbers |
|-----|---------------|-----------------------|--------|----------------|
| 003 | 13310-ZG9-V50 | CRANKSHAFT COMP. | 1 | |
| 008 | 91001-878-003 | BEARING, RADIAL BALL, | 1 | |



ZG90-E0900 A

| <u>Ref</u> | <u>Partnumber</u> | <u>Description</u> | <u>GXV140</u> | <u>Serial Numbers</u> |
|------------|-------------------|------------------------|---------------|-----------------------|
| 002 | 14100-ZG9-800 | CAMSHAFT ASSY. | 1 | |
| 003 | 14410-ZE0-010 | ROD, PUSH | 2 | |
| 004 | 14431-ZE1-000 | ARM, VALVE ROCKER | 2 | |
| 005 | 14441-ZE1-010 | LIFTER, VALVE | 2 | |
| 006 | 14451-ZE1-013 | PIVOT, ROCKER ARM | 2 | |
| 008 | 14568-ZG9-800 | SPRING, WEIGHT RETURN | 1 | |
| 009 | 14711-ZG9-801 | VALVE, IN. | 1 | |
| 010 | 14721-ZG9-801 | VALVE, EX. | 1 | |
| 011 | 14751-ZF1-000 | SPRING, VALVE | 2 | |
| 012 | 14771-ZE1-T01 | RETAINER, VALVE SPRING | 2 | |
| 013 | 14791-ZE0-010 | PLATE, PUSH ROD GUIDE | 1 | |
| 014 | 90012-ZE0-010 | BOLT, PIVOT, 8MM | 2 | |
| 015 | 90206-ZE1-000 | NUT, PIVOT ADJUSTING | 2 | |
| <u>Ref</u> | <u>Partnumber</u> | <u>Description</u> | <u>GXV140</u> | <u>Serial Numbers</u> |
| 016 | 90701-ZG9-800 | PIN, WEIGHT CENTER | 1 | |
| 017 | 91502-ZG9-800 | COLLAR, WEIGHT CENTER | 1 | |



HENG-X0003

| <u>Ref</u> | <u>Partnumber</u> | <u>Description</u> | <u>GXV140</u> | <u>Serial Numbers</u> |
|------------|-------------------|--------------------|---------------|-----------------------|
| 001 | 06111-ZG9-L00 | GASKET KIT | 1 | |