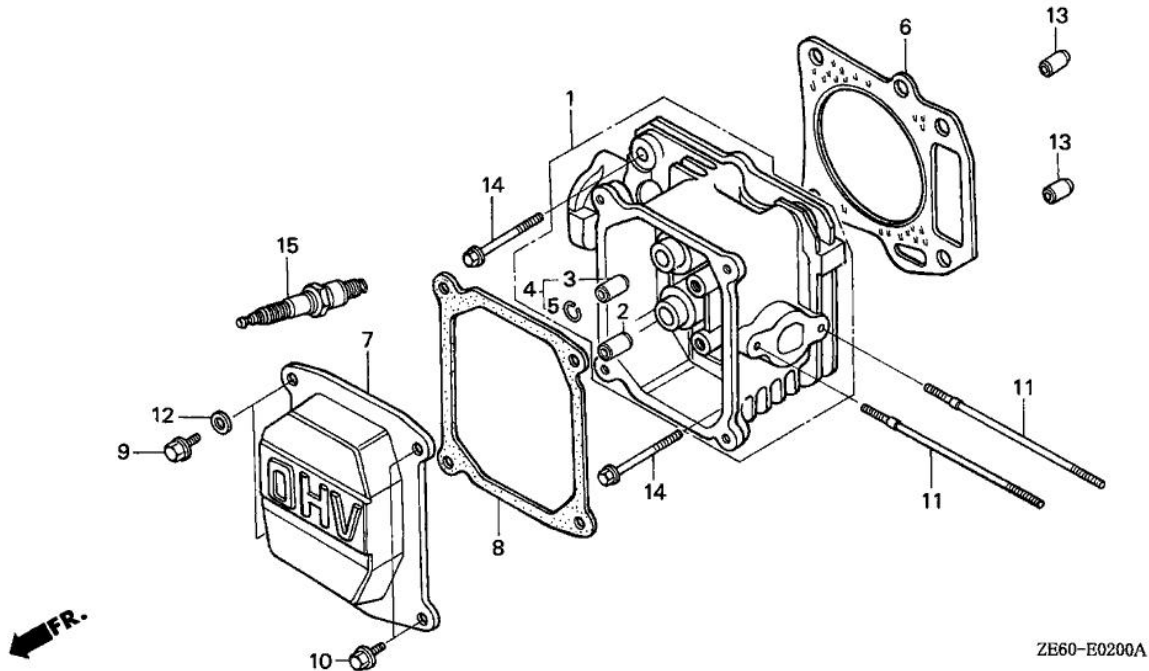
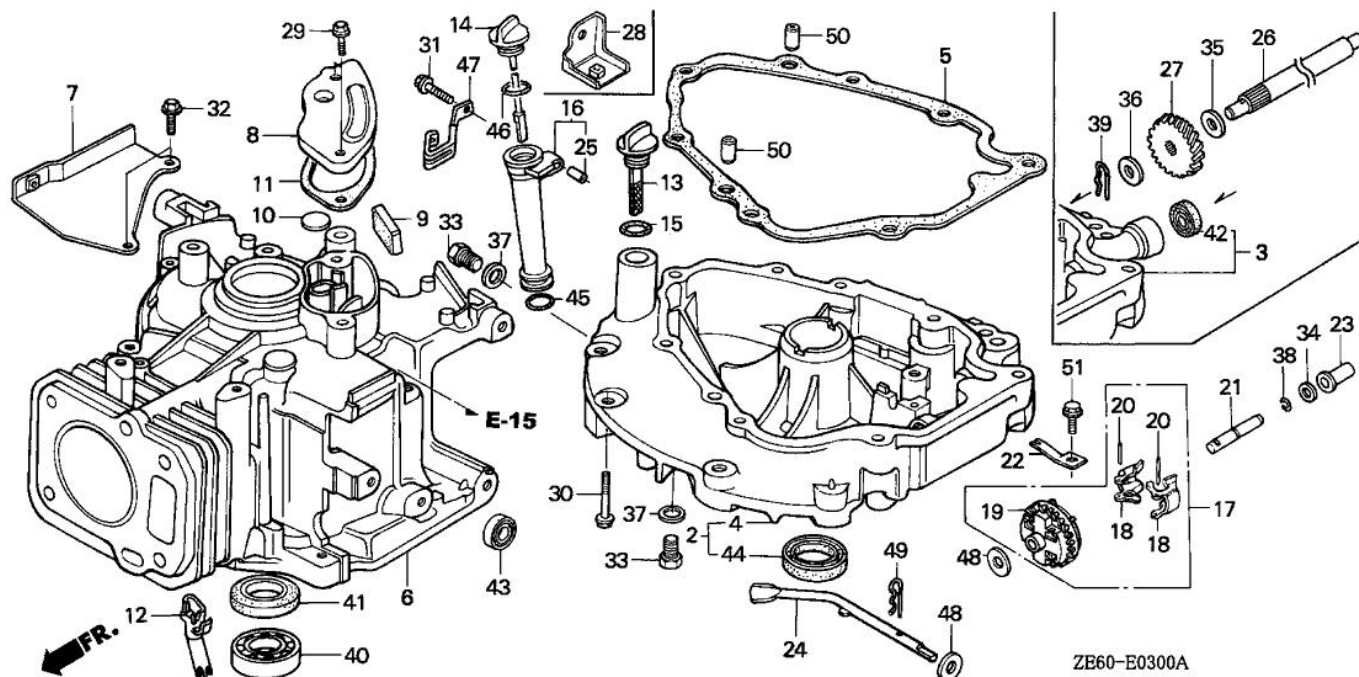


TRU-POWER, INC.

Model Name	GXV120	Product Line	GENERAL PURPOSE ENGINE
Mfg		Type	N14
Section	ENGINE	Illustration	CYLINDER HEAD

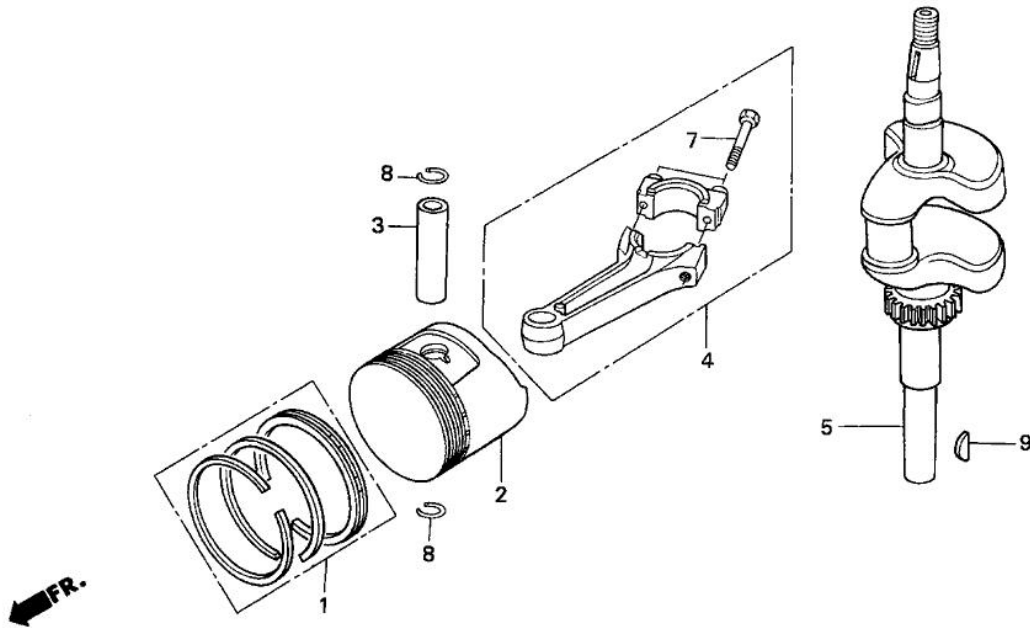


Ref.	Part Number	Part Description	Qty.
001	12200-ZE6-050	CYLINDER HEAD	001
001	12200-ZE6-406	CYLINDER HEAD	001
002	12204-ZE1-306	GUIDE, VALVE (OVER SIZE)	(1)
004	12205-ZE1-315	GUIDE, EX. VALVE (OVER SIZE)	(1)
005	12216-ZE5-300	CLIP, VALVE GUIDE	001
006	12251-ZE6-000	GASKET, CYLINDER HEAD	001
007	12310-ZE7-000	COVER, HEAD	001
008	12391-ZE7-M10	GASKET, HEAD COVER	001
009	90014-952-000	BOLT, FLANGE (6X14) (CT200)	002
010	90013-883-000	BOLT, FLANGE (6X12) (CT200)	002
011	90043-ZE6-000	BOLT, STUD (6X109)	002
013	94301-10160	PIN, DOWEL (10X16)	002
014	95701-08045-00	BOLT, FLANGE (8X45)	004
015	98079-54846	SPARK PLUG (BPR4ES) (NGK)	(1)
015	98079-54855	SPARK PLUG (W14EPR-U) (DENSO)	(1)
015	98079-55846	SPARK PLUG (BPR5ES) (NGK)	001
015	98079-55855	SPARK PLUG (W16EPR-U) (DENSO)	001
015	98079-56846	SPARK PLUG (BPR6ES) (NGK)	(1)
015	98079-56855	SPARK PLUG (W20EPR-U) (DENSO)	(1)



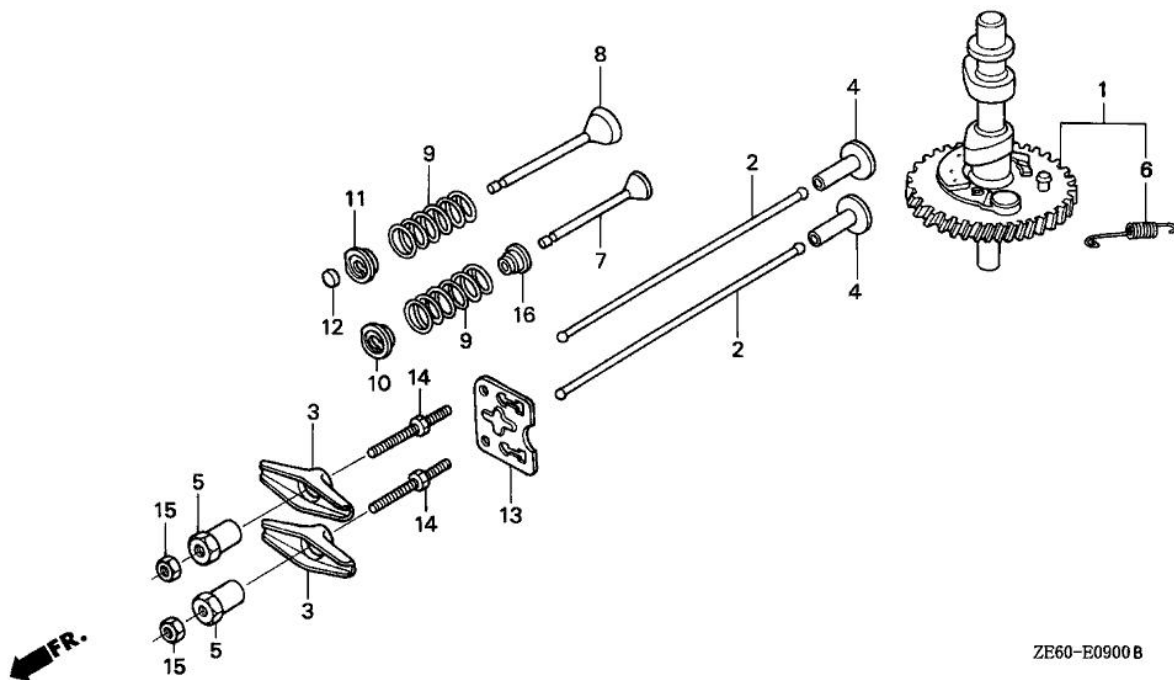
Ref.	Part Number	Part Description	Qty.
002	11300-ZE6-641	PAN ASSY., OIL (NOT AVAILABLE)	001
005	11381-ZG9-J60	GASKET, OIL PAN	001
005	11381-ZG9-T00	GASKET, OIL PAN	001
006	12100-ZE6-405	CYLINDER	001
007	12125-ZE6-010	PLATE, GUIDE	001
008	12360-ZE6-000	CAP, BREATHER CHAMBER	001
009	12367-ZE6-010	FILTER, BREATHER	001
010	12372-879-000	VALVE, BREATHER	001
011	12373-ZE6-000	PKG, BRTHR. CAP	001
012	12385-ZE6-000	PIPE, OIL DEFENSE	001
014	15620-ZE6-810	DIPSTICK, OIL	001
016	15630-ZE6-810	EXTENSION, OIL FILLER	001
017	16510-ZE6-000	GOVERNOR ASSY.	001
018	16511-ZE1-000	WEIGHT, GOVERNOR	002
019	16512-ZE6-000	HOLDER, GOVERNOR WEIGHT	001
020	16513-ZE1-000	PIN, GOVERNOR WEIGHT	002
021	16515-ZE6-000	SHAFT, GOVERNOR HOLDER	001
021	16515-ZE6-010	SHAFT, GOVERNOR HOLDER	001
022	16525-ZE6-010	PLATE, GOVERNOR SHAFT HOLDER	001
023	16531-ZE1-000	SLIDER, GOVERNOR	001
024	16541-ZE7-000	SHAFT, GOVERNOR ARM	001
025	17240-ZE6-000	COLLAR, EXTENSION	001
029	90013-883-000	BOLT, FLANGE (6X12) (CT200)	002
030	90015-883-000	BOLT, FLANGE (6X28) (CT200)	007
031	90017-883-000	BOLT, FLANGE (6X32) (CT200)	001
032	90022-888-010	BOLT, FLANGE (6X20) (CT200)	002
033	90131-ZE1-000	BOLT, DRAIN PLUG	001
034	90451-ZE1-000	WASHER, THRUST (6MM)	001
034	90451-ZE1-000	WASHER, THRUST (6MM)	001
037	90601-ZE1-000	WASHER, DRAIN PLUG (10.2MM)	001
038	90602-ZE1-000	CLIP, GOVERNOR HOLDER	001
040	91001-878-003	BEARING, RADIAL BALL	001

Ref.	Part Number	Part Description	Qty.
041	91202-ZE6-013	OIL SEAL (22X35X6)	001
043	91231-891-003	OIL SEAL (6X11X4) (ARAI)	001
044	91201-ZG9-U71	OIL SEAL (25X38X7)	001
044	91252-888-003	OIL SEAL (25X38X7) (ARAI)	001
045	91301-805-000	O-RING (26X2.7)	001
046	91301-ZE9-003	O-RING (22.1X2.2)	001
048	94101-06800	WASHER, PLAIN (6MM)	002
049	94251-08000	PIN, LOCK (8MM)	001
050	94301-08140	PIN, DOWEL (8X14)	002
051	95701-06012-08	BOLT, FLANGE (6X12)	001



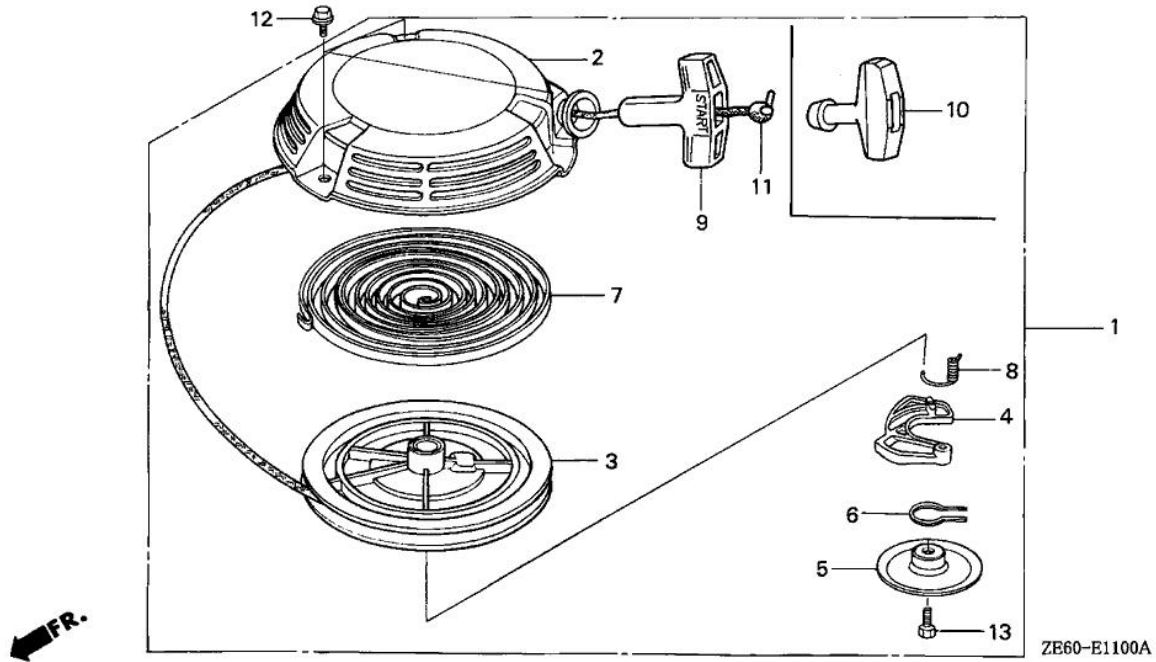
ZE60-E0800A

Ref.	Part Number	Part Description	Qty.
001	13010-ZE6-013	RING SET, PISTON (STD) (NIPPON)	001
001	13011-ZE6-013	RING SET, PISTON (0.25) (NIPPON)	(1)
001	13011-ZE6-014	RING SET, PISTON (0.25) (TEIKOKU)	(1)
001	13012-ZE6-013	RING SET, PISTON (0.50) (NIPPON)	(1)
001	13013-ZE6-013	RING SET, PISTON (0.75) (NIPPON)	(1)
001	13013-ZE6-014	RING SET, PISTON (0.75) (TEIKOKU)	(1)
002	13101-ZE6-023	PISTON (STD)	001
002	13101-ZE6-033	PISTON (STD)	001
002	13102-ZE6-023	PISTON (0.25)	(NOT AVAILABLE)
002	13103-ZE6-023	PISTON (0.50)	(1)
002	13104-ZE6-023	PISTON (0.75)	(NOT AVAILABLE)
003	13111-ZE0-000	PIN, PISTON	001
004	13200-ZE6-010	ROD ASSY., CONNECTING	001
004	13200-ZE6-315	ROD ASSY., CONNECTING (0.25 LOWER SIZE)	(1)
005	13310-ZE6-000	CRANKSHAFT	001
007	90001-ZE1-000	BOLT, CONNECTING ROD	002
008	90551-ZE0-000	CLIP, PISTON PIN (13MM)	002

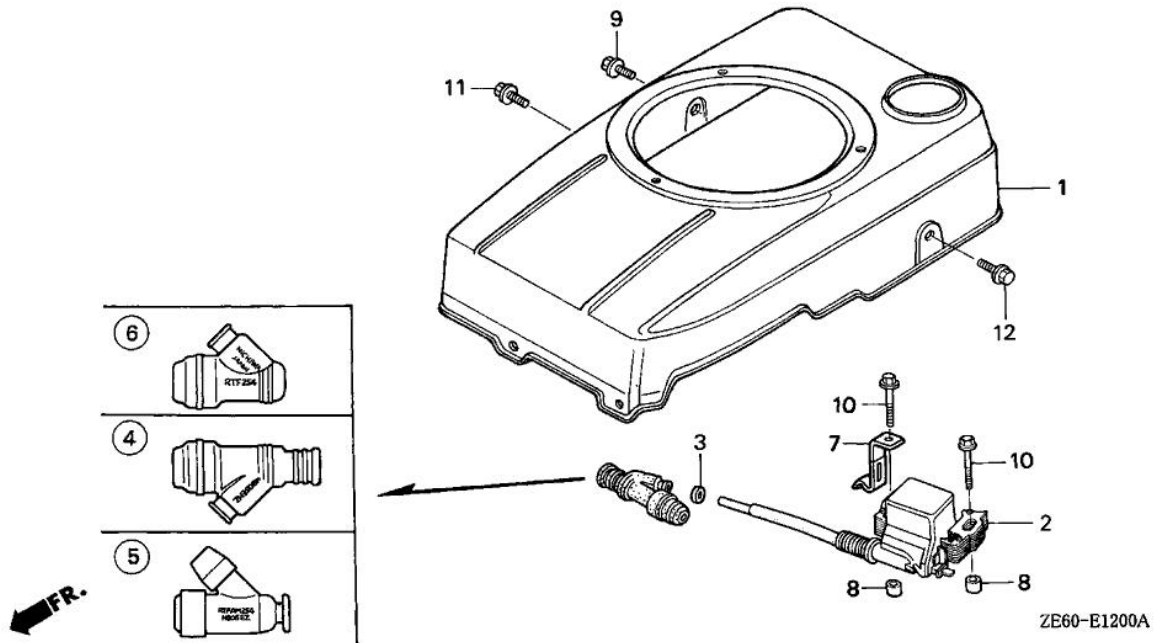


ZE60-E0900 B

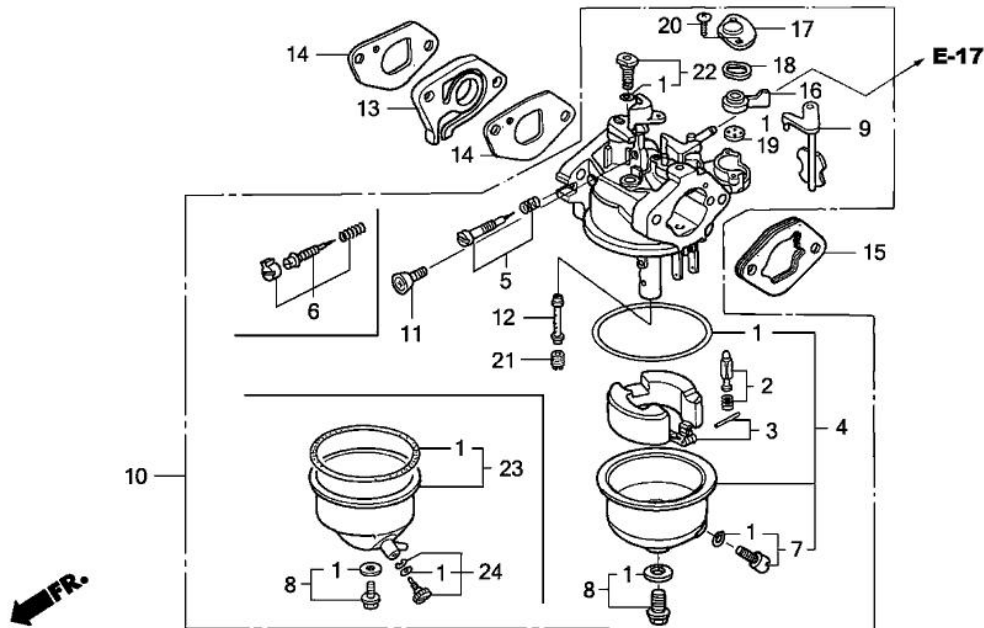
Ref.	Part Number	Part Description	Qty.
001	14100-ZE6-W00	CAMSHAFT ASSY.	001
002	14410-ZE0-010	ROD, PUSH	002
003	14431-ZE1-000	ARM, VALVE ROCKER	002
004	14441-ZE1-000	LIFTER, VALVE	002
004	14441-ZE1-010	LIFTER, VALVE	002
005	14451-ZE1-013	PIVOT, ROCKER ARM	002
005	14451-Z4M-000	PIVOT, ROCKER ARM	002
006	14568-ZE1-000	SPRING, WEIGHT RETURN	001
007	14711-ZE0-010	VALVE, IN.	001
008	14721-ZE6-010	VALVE, EX.	001
009	14751-ZE1-000	SPRING, VALVE	002
010	14771-ZE1-000	RETAINER, IN. VALVE SPRING	001
011	14771-ZE1-000	RETAINER, IN. VALVE SPRING	001
013	14791-ZE0-010	PLATE, PUSH ROD GUIDE	001
014	90012-ZE0-010	BOLT, PIVOT (8MM)	002
015	90206-ZE1-000	NUT, PIVOT ADJUSTING	002



Ref.	Part Number	Part Description		Qty.
001	28400-ZE6-003ZB	STARTER ASSY., RECOIL *NH1*(BLACK)	(NOT AVAILABLE)	001
001	28400-ZE6-003ZD	STARTER ASSY., RECOIL *R280*(POWER RED)		001
002	28410-ZE6-003ZA	CASE, RECOIL STARTER *R8*(BRIGHT RED)		001
002	28410-ZE6-003ZB	CASE, RECOIL STARTER *NH1*(BLACK)	(NOT AVAILABLE)	001
003	28420-ZE6-003	PULLEY, RECOIL STARTER		001
004	28422-896-010	RATCHET, STARTER		001
005	28431-896-000	PLATE, FRICTION		001
006	28441-896-000	SPRING, FRICTION		001
007	28442-ZE6-003	SPRING, RECOIL STARTER		001
008	28443-896-000	SPRING, RETURN		001
009	28461-ZE1-013	KNOB, RECOIL STARTER		001
011	28462-ZA7-003	ROPE, RECOIL STARTER		001
011	28462-ZE6-T02	ROPE, LONG (55")		001
012	95701-06008-00	BOLT, FLANGE (6X8)		003
013	92101-06012-0H	BOLT, HEX. (6X12)		001

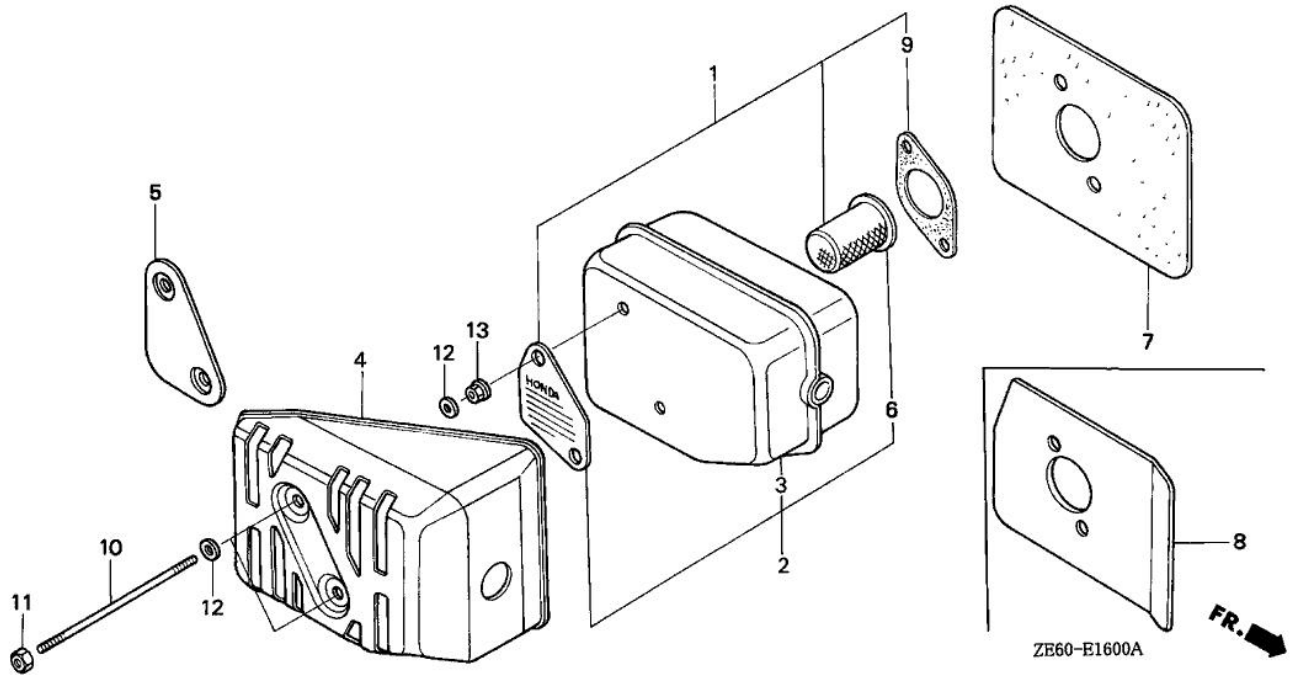


Ref.	Part Number	Part Description	Qty.
001	19610-ZE6-020ZB	COVER, FAN *NH1*(BLACK)	(NOT AVAILABLE) 001
001	19610-ZE6-020ZE	COVER, FAN *R280*(POWER RED)	001
002	30500-ZE7-063	COIL ASSY., IGNITION	001
003	30505-ZE6-000	GROMMET, IGNITION WIRE	001
005	30700-ZE6-023	CAP ASSY., NOISE SUPPRESSOR	001
009	90013-883-000	BOLT, FLANGE (6X12) (CT200)	001
010	90121-952-000	BOLT, FLANGE (6X25) (CT200)	002
011	95701-06010-00	BOLT, FLANGE (6X10)	001
012	90013-883-000	BOLT, FLANGE (6X12) (CT200)	001

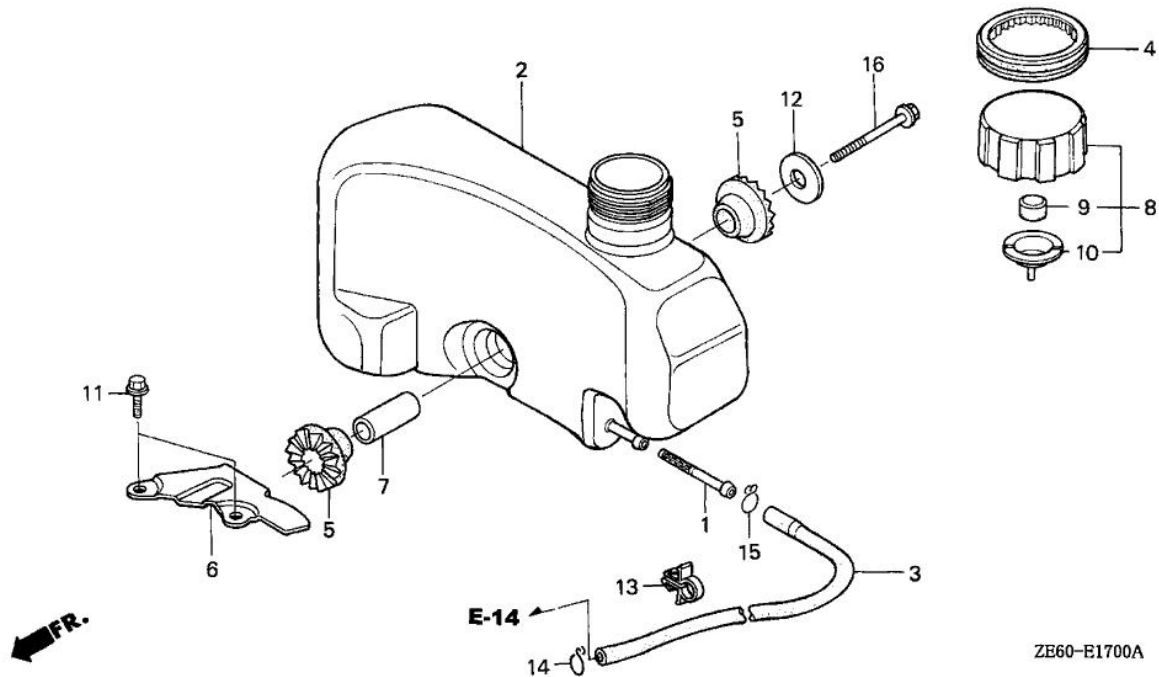


ZE60E1400B

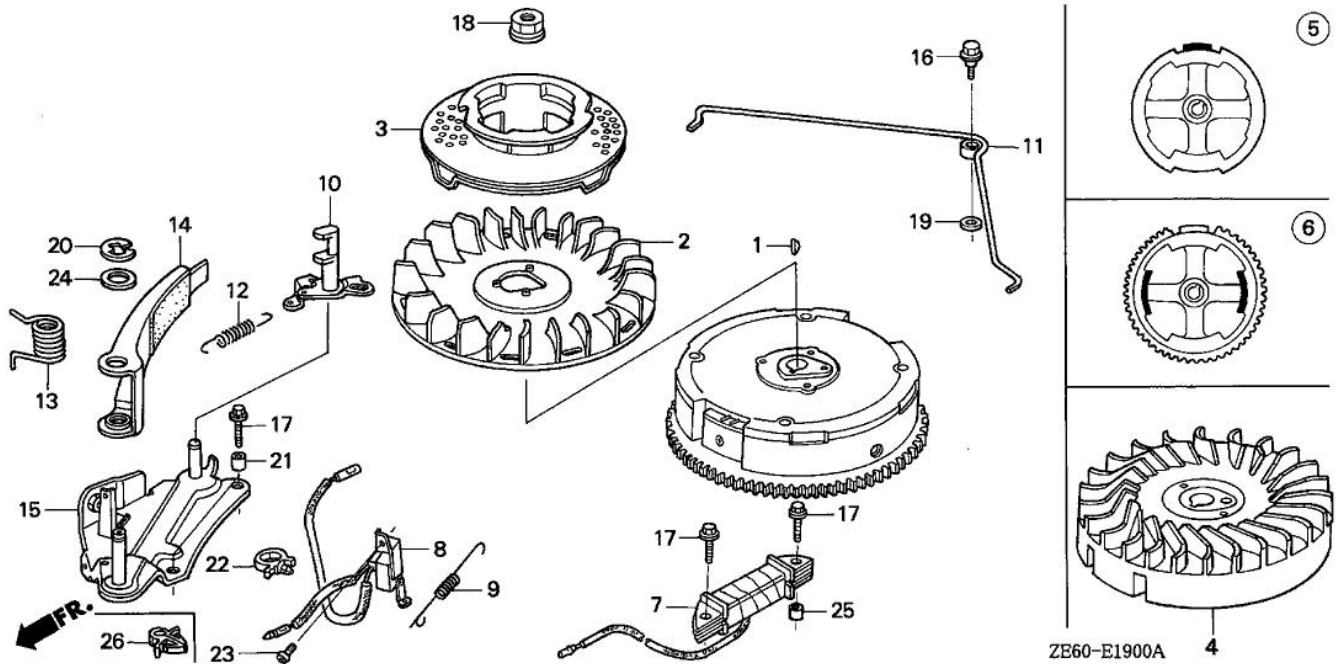
Ref.	Part Number	Part Description	Qty.
001	16010-ZE0-025	GASKET SET (CARBURETOR NO.)	001
002	16011-ZE0-005	VALVE SET, FLOAT (SEAT NOT INCLUDED)	001
003	16013-ZE0-005	FLOAT SET	001
004	16015-ZE0-831	CHAMBER SET, FLOAT (CARBURETOR NO.)	001
004	16015-ZE1-811	CHAMBER SET, FLOAT (CARBURETOR NO.)	001
005	16016-ZE0-005	SCREW SET, PILOT (CARBURETOR NO.)	001
006	16016-ZH7-W01	SCREW SET, PILOT (CARBURETOR NO.)	001
007	16024-ZE1-811	SCREW SET, DRAIN (CARBURETOR NO.)	001
008	16028-ZE0-005	SCREW SET	001
008	16028-ZK7-S91	SCREW SET	001
009	16045-ZE6-005	CHOKE SET	001
010	16100-ZE6-W01	CARBURETOR ASSY. (BE56A B)	001
011	16124-ZE0-005	SCREW, THROTTLE STOP	001
012	16166-ZE6-W00	NOZZLE, MAIN (CARBURETOR NO.)	001
013	16211-ZE6-000	INSULATOR, CARBURETOR	001
014	16212-ZG9-J60	GASKET, INSULATOR	002
015	16220-ZE6-010	SPACER, CARBURETOR	001
016	16953-ZE6-015	LEVER, PETCOCK (CARBURETOR NO.)	001
016	16953-ZE6-015	LEVER, PETCOCK (CARBURETOR NO.)	001
017	16954-ZE1-812	PLATE, LEVER SETTING (CARBURETOR NO.)	001
018	16956-ZE1-811	SPRING, PETCOCK LEVER (CARBURETOR NO.)	001
019	16957-ZE1-812	GASKET, PETCOCK (CARBURETOR NO.)	001
020	93500-03006-0H	SCREW, PAN (3X6)	002
020	93500-03008-1G	SCREW, PAN (3X8) (CARBURETOR NO.)	002
021	99101-ZH7-0520	JET, MAIN (#52) (CARBURETOR NO.) (NOT AVAILABLE)	(1)
021	99101-ZH7-0550	JET, MAIN (#55) (CARBURETOR NO.)	(1)
021	99101-ZH7-0580	JET, MAIN (#58) (CARBURETOR NO.) (NOT AVAILABLE)	001
021	99101-ZH8-0520	JET, MAIN (#52) (CARBURETOR NO.)	(1)
021	99101-ZH8-0550	JET, MAIN (#55) (CARBURETOR NO.)	(1)
021	99101-ZK7-0580	JET, MAIN (#58)	001
022	99204-ZE2-0380	JET SET, PILOT (#38) (CARBURETOR NO.)	001



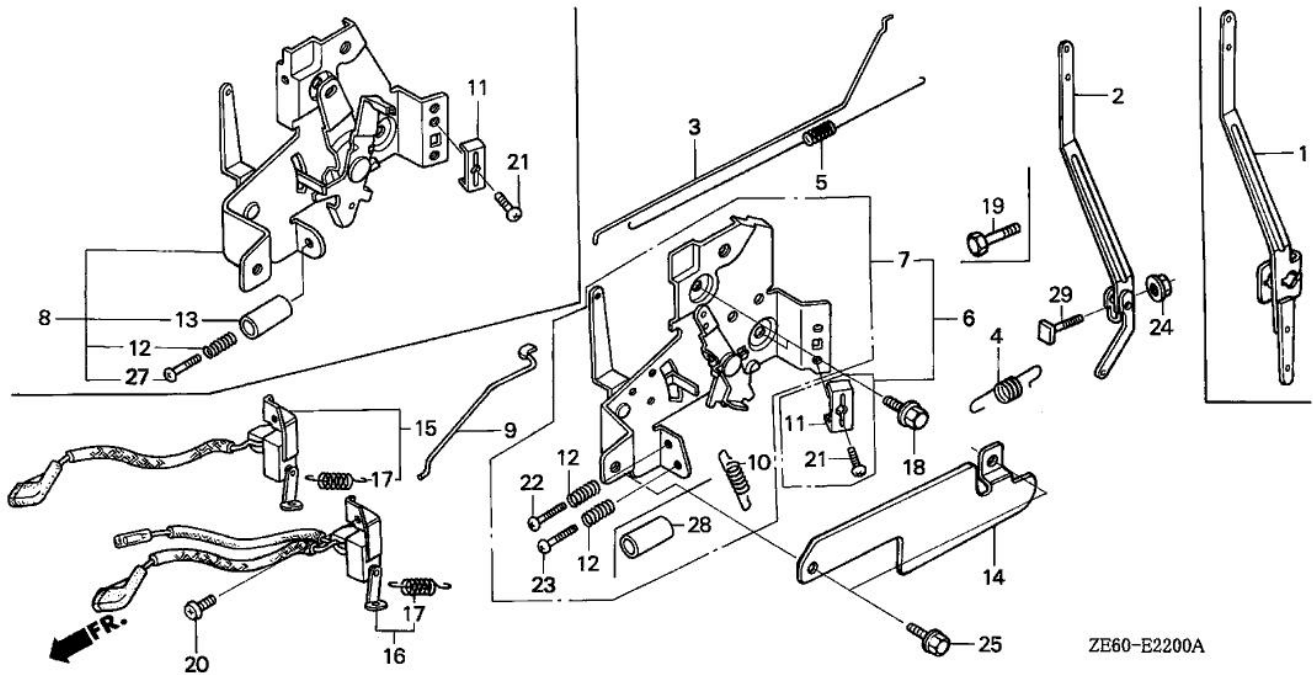
Ref.	Part Number	Part Description	Qty.
001	06180-ZE6-820	ARRESTER KIT, SPARK	(1)
003	18310-ZE6-003	MUFFLER	001
004	18320-ZE6-020	PROTECTOR, MUFFLER	001
005	18321-ZE6-G11	COVER, MUFFLER PROTECTOR	001
006	06180-888-505	ARRESTER KIT, SPARK	(1)
008	18381-ZE6-800	GASKET, MUFFLER	001
009	18381-ZE6-820	GASKET, MUFFLER	(1)
010	90013-ZE7-000	BOLT, STUD (6X82)	002
011	90343-ZE6-000	NUT, SELF-LOCK (6MM)	002



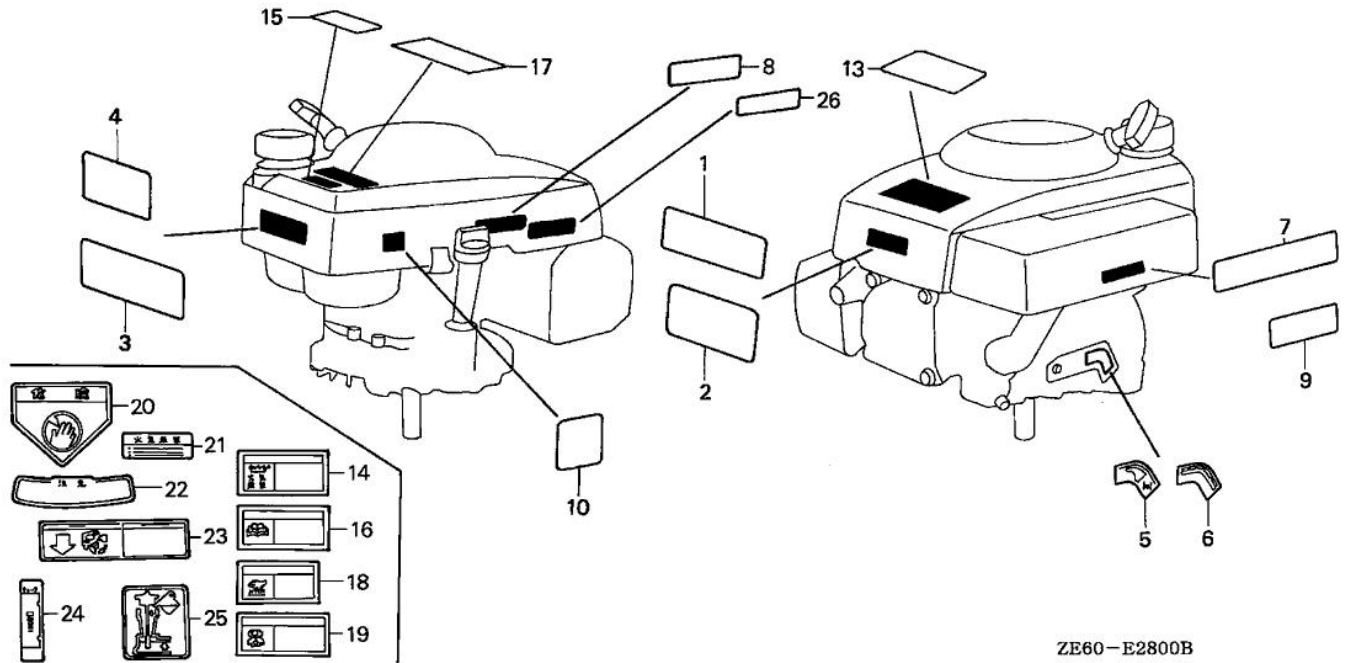
Ref.	Part Number	Part Description	Qty.
001	16952-ZE6-000	FILTER, FUEL	001
002	17510-ZE6-000	TANK, FUEL	001
003	17512-ZE6-000	TUBE, FUEL	001
004	17515-ZE6-000	RUBBER, TANK MOUNTING	001
005	17516-896-700	RUBBER B, TANK MOUNTING	002
006	17517-ZE6-000	STAY, TANK	001
007	17518-ZE6-000	COLLAR, TANK SETTING	001
008	17620-ZG9-000	CAP ASSY., FUEL TANK	001
009	17622-888-010	SPONGE, FUEL CAP BREATHER	001
010	17624-ZE7-000	GASKET, FUEL CAP	001
011	90014-952-000	BOLT, FLANGE (6X14) (CT200)	002
012	90455-896-700	WASHER, TANK MOUNTING	001
013	90682-959-661	CLIP B, CABLE (9MM BLACK)	001
014	95002-02080	CLIP, TUBE (B8)	001
015	95002-70000	CLIP, TUBE (C11)	001
016	95701-08050-00	BOLT, FLANGE (8X50)	001



Ref.	Part Number	Part Description	Qty.
001	13331-357-000	KEY, SPECIAL WOODRUFF (25X18)	001
002	19511-ZE6-000	FAN, COOLING	001
003	28451-ZE6-003	PULLEY, STARTER	001
005	31100-ZE6-661	FLYWHEEL	001
005	31100-ZE6-662	FLYWHEEL	001
018	90201-878-003	NUT, SPECIAL (14MM)	001

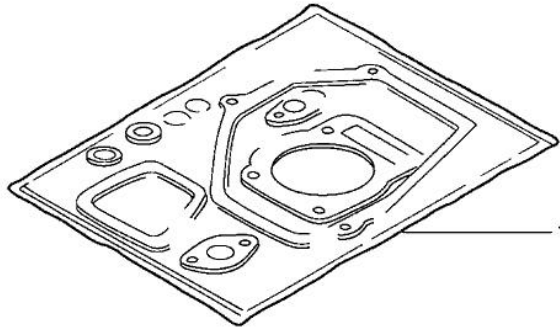


Ref.	Part Number	Part Description	Qty.
002	16551-ZE6-000	ARM, GOVERNOR	001
003	16555-ZE6-000	ROD, GOVERNOR	001
004	16561-ZE6-640	SPRING, GOVERNOR	001
005	16562-ZE6-000	SPRING, THROTTLE RETURN	001
008	16570-ZE6-820	CONTROL	001
009	16573-ZE6-010	ROD, CHOKE	001
011	16576-891-000	HOLDER, CABLE	001
012	16584-883-300	SPRING, CONTROL ADJUSTING	001
013	16599-ZG1-M10	COLLAR, STOPPER	001
014	17100-ZE6-000	PROTECTOR, CONTROL	001
016	36100-ZE6-641	SWITCH ASSY., ENGINE STOP	001
017	36120-ZE6-010	SPRING, SWITCH CONTROL	001
018	90014-952-000	BOLT, FLANGE (6X14) (CT200)	002
020	93500-04008-0A	SCREW, PAN (4X8)	001
021	93500-05016-0A	SCREW, PAN (5X16)	001
024	94050-06000	NUT, FLANGE (6MM)	001
025	95701-06010-00	BOLT, FLANGE (6X10)	002
027	90016-ZF5-W40	SCREW, RECESSED (5X20)	001
029	90015-ZE5-010	BOLT, GOVERNOR ARM	001



ZE60-E2800B

Ref.	Part Number	Part Description	Qty.
002	87101-ZE6-010	MARK, TOP COVER	001
004	87522-ZH8-W40	MARK, CAUTION (PICTOGRAPH)	001
005	87523-ZE6-W40	MARK, CONTROL	001
009	87592-ZE6-W40	MARK, FUEL PETCOCK	001
026	87135-ZE2-020	LABEL, E-SPEC (15.5X27.5)	001



HENG-X0003

Ref.	Part Number	Part Description	Qty.
001	061B1-ZE6-710	GASKET KIT	001