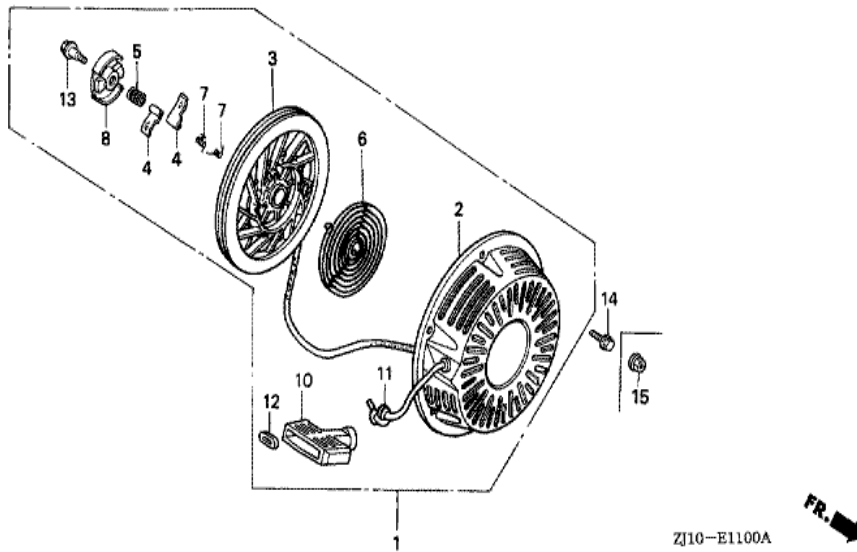


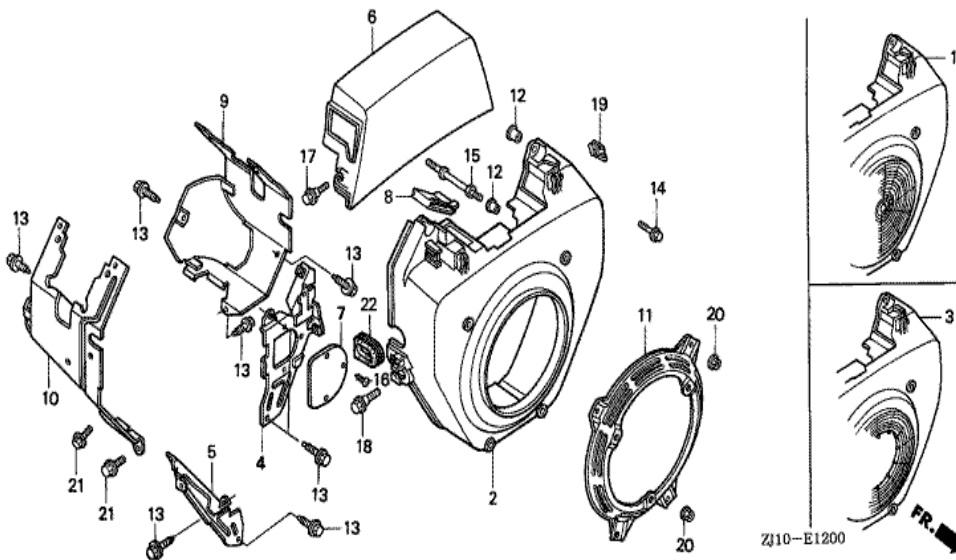
| | |
|-------------|---------------------|
| GX620(VZE5) | E-11 RECOIL STARTER |
|-------------|---------------------|



| Ref | Partnumber | Description | GX620 | Serial Numbers |
|-----|-----------------|----------------------------------|-------|----------------|
| 001 | 28400-ZE3-W01ZA | STARTER ASSY., RECOIL *R8 * | 1 | |
| 002 | 28410-ZE3-W01ZA | CASE COMP., RECOIL STARTER *R8 * | 1 | |
| 003 | 28421-ZE3-W01 | PULLEY, RECOIL STARTER | 1 | |
| 004 | 28422-ZE2-W01 | RATCHET, STARTER | 2 | |
| 005 | 28441-ZE2-W01 | SPRING, FRICTION | 1 | |
| 006 | 28442-ZE2-W01 | SPRING, STARTER RETURN | 1 | |
| 007 | 28443-ZE2-W01 | SPRING, RATCHET | 2 | |
| 008 | 28444-ZE2-W01 | RETAINER, SPRING | 1 | |
| 010 | 28461-ZE2-W01 | GRIP, STARTER | 1 | |
| 010 | 28461-ZE2-W01 | GRIP, STARTER | 1 | 1052484 |
| 010 | 28461-ZE2-W02 | GRIP, STARTER | 1 | |
| 010 | 28461-ZE2-W02 | GRIP, STARTER | 1 | 1052485 |
| 011 | 28462-ZE3-W01 | ROPE, RECOIL STARTER | 1 | |
| Ref | Partnumber | Description | GX620 | Serial Numbers |
| 012 | 28469-ZE2-W01 | REINFORCEMENT, GRIP | 1 | 1052484 |
| 013 | 90004-ZE2-W01 | SCREW, CENTER | 1 | |
| 014 | 95701-0600800 | BOLT, FLANGE, 6X8 | 3 | |
| 014 | 95701-0600800 | BOLT, FLANGE, 6X8 | (3) | |

GX620(VZE5)

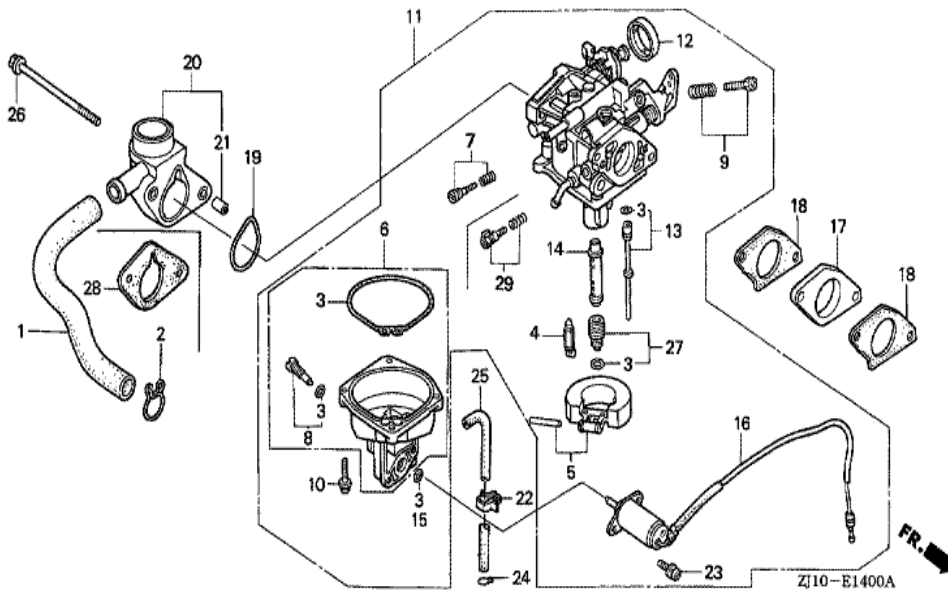
E-12 FAN COVER (GX620)



| <u>Ref</u> | <u>Partnumber</u> | <u>Description</u> | <u>GX620</u> | <u>Serial Numbers</u> |
|------------|-------------------|-----------------------------------|--------------|-----------------------|
| 002 | 19611-ZJ1-800ZB | COVER, FAN (RECOIL STARTER) *R8 * | (1) | |
| 002 | 19611-ZJ1-800ZB | COVER, FAN (RECOIL STARTER) *R8 * | 1 | |
| 004 | 19612-ZJ1-000 | PLATE, SIDE | 1 | |
| 005 | 19614-ZJ1-000 | PLATE, SIDE | 1 | |
| 006 | 19615-ZJ1-000 | HOOD, FAN COVER | 1 | |
| 006 | 19615-ZJ1-000 | HOOD, FAN COVER | 1 | |
| 009 | 19631-ZJ1-000 | SHROUD | 1 | |
| 010 | 19632-ZJ1-000 | SHROUD | 1 | |
| 011 | 28405-ZJ1-801ZB | SPACER, RECOIL STARTER MOUNTING * | (1) | |
| 011 | 28405-ZJ1-801ZB | SPACER, RECOIL STARTER MOUNTING * | 1 | |
| 012 | 33713-GC2-000 | COLLAR B, TAILLIGHT | 6 | |
| 013 | 90013-883-000 | BOLT, FLANGE, 6X12 (CT200) | 8 | |
| 014 | 90018-ZE1-000 | BOLT, FLANGE, 6X23 (CT200) | 2 | |
| <u>Ref</u> | <u>Partnumber</u> | <u>Description</u> | <u>GX620</u> | <u>Serial Numbers</u> |
| 015 | 90042-ZJ1-000 | BOLT, STUD, 6X73 | 4 | |
| 017 | 90104-GF6-000 | BOLT, FLANGE, 6X20 | 2 | |
| 018 | 90113-GE4-000 | BOLT, FLANGE, 6MM (BLACK) | 2 | |
| 019 | 90320-MM5-000 | NUT, SPRING, 6MM | 2 | |
| 020 | 94050-06000 | NUT, FLANGE, 6MM | 4 | |
| 021 | 95701-0600800 | BOLT, FLANGE, 6X8 | 2 | |

GX620(VZE5)

E-14 CARBURETOR (1)

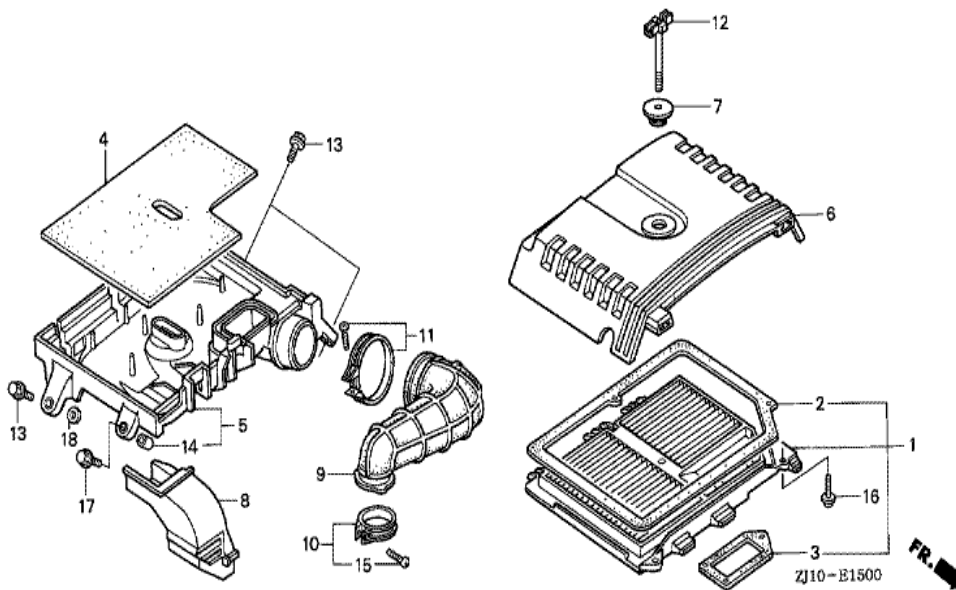


| Ref | Partnumber | Description | GX620 | Serial Numbers |
|-----|---------------|----------------------------|-------|----------------|
| 001 | 12357-ZJ1-000 | TUBE, BREATHER | 1 | |
| 002 | 15772-551-000 | CLIP, BREATHER TUBE | 1 | |
| 003 | 16010-ZG8-000 | GASKET SET | 1 | |
| 004 | 16011-GK0-891 | VALVE SET, FLOAT | 1 | |
| 005 | 16013-ZV4-005 | FLOAT SET | 1 | |
| 006 | 16015-ZJ1-000 | CHAMBER SET, FLOAT | 1 | |
| 008 | 16024-124-760 | SCREW SET, DRAIN | 1 | |
| 009 | 16028-ZG8-000 | SCREW SET | 1 | |
| 009 | 16028-ZG8-000 | SCREW SET | 1 | BG22A B |
| 010 | 16081-ZV4-650 | SCREW-WASHER | 4 | |
| 011 | 16100-ZJ1-892 | CARBURETOR ASSY. (BG22C B) | 1 | 1017436 |
| 011 | 16100-ZJ1-892 | CARBURETOR ASSY. (BG22C B) | 1 | |
| 012 | 16148-141-881 | CAP, CHOKE DUST | 1 | |

| <u>Ref</u> | <u>Partnumber</u> | <u>Description</u> | <u>GX620</u> | <u>Serial Numbers</u> |
|------------|-------------------|---------------------------------|--------------|-----------------------|
| 013 | 16151-ZJ1-891 | JET SET, #55 | 1 | |
| 014 | 16166-ZJ1-010 | NOZZLE, MAIN | 1 | |
| 015 | 16178-548-004 | O-RING, 5.8X1.9 | 1 | |
| 016 | 16200-ZJ1-003 | VALVE ASSY., SOLENOID | 1 | |
| 017 | 16211-ZJ1-000 | INSULATOR, CARBURETOR | 1 | |
| 018 | 16221-ZG8-000 | PACKING, CARBURETOR | 2 | |
| 019 | 17228-ZG8-003 | PACKING, AIR CLEANER | 1 | |
| 020 | 17410-ZJ1-000 | ELBOW COMP., AIR CLEANER | 1 | |
| 021 | 19024-ZA0-000 | COLLAR, DISTANCE | 2 | |
| 022 | 90682-959-661 | CLIP B, CABLE (9MM BLACK) | 1 | |
| 023 | 93892-0501218 | SCREW-WASHER, 5X12 | 2 | |
| 024 | 95002-02080 | CLIP, TUBE (B8) | 1 | |
| 025 | 95005-4546020 | TUBE, 4.5X460 (95005-45001-20M) | 1 | |
| 026 | 95801-0610508 | BOLT, FLANGE, 6X105 | 2 | |
| 026 | 95801-0610508 | BOLT, FLANGE, 6X105 | 2 | |
| 027 | 99201-ZG80900 | JET SET, MAIN, #90 | (1) | |
| 027 | 99201-ZG80900 | JET SET, MAIN, #90 | (1) | |
| 027 | 99201-ZG80920 | JET SET, MAIN, #92 | (1) | |
| 027 | 99201-ZG80920 | JET SET, MAIN, #92 | (1) | |
| 027 | 99201-ZG80950 | JET SET, MAIN, #95 | (1) | |
| 027 | 99201-ZG80950 | JET SET, MAIN, #95 | 1 | |
| 029 | 16016-ZJ1-010 | SCREW SET | 1 | |

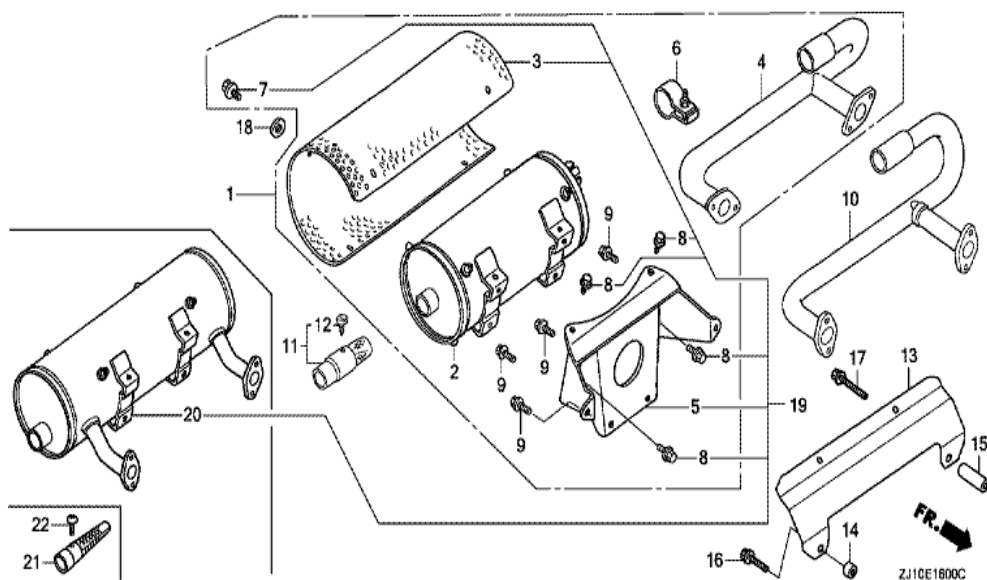
GX620(VZE5)

E-15 AIR CLEANER (1)



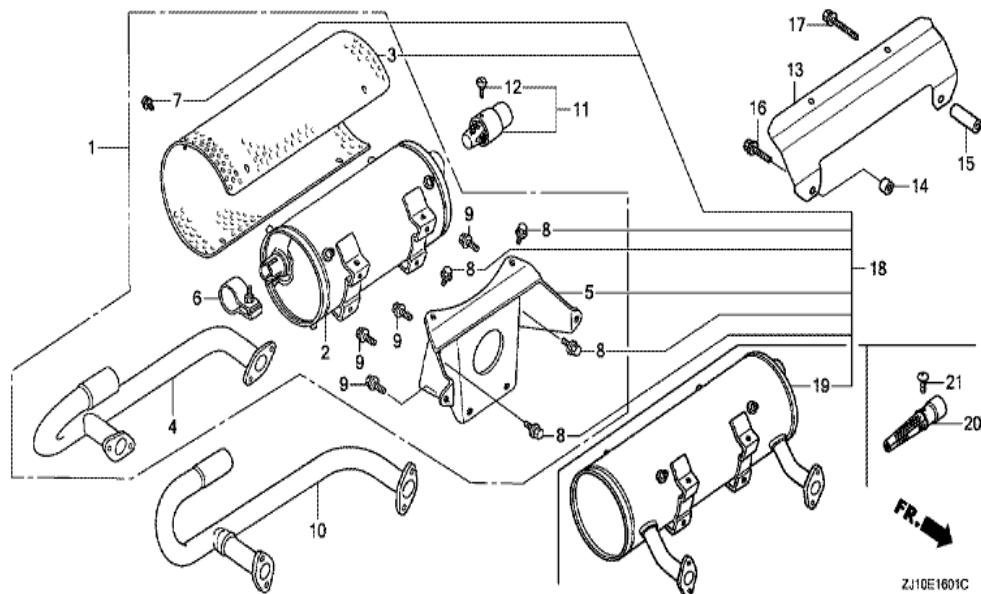
| <u>Ref</u> | <u>Partnumber</u> | <u>Description</u> | <u>GX620</u> | <u>Serial Numbers</u> |
|------------|-------------------|--|--------------|-----------------------|
| 001 | 17010-ZJ1-000 | ELEMENT SET, AIR CLEANER | 1 | |
| 002 | 17216-ZJ1-000 | PACKING A, ELEMENT | 1 | |
| 003 | 17217-ZJ1-000 | PACKING B, ELEMENT | 1 | |
| 004 | 17218-ZJ1-000 | FILTER, OUTER | 1 | |
| 005 | 17220-ZJ1-000 | CASE COMP., AIR CLEANER | 1 | |
| 006 | 17231-ZJ1-000 | COVER, AIR CLEANER | 1 | |
| 007 | 17232-ZJ1-000 | GROMMET, AIR CLEANER | 1 | |
| 008 | 17237-ZJ1-000 | HOSE, AIR CLEANER | 1 | |
| 009 | 17251-ZJ1-000 | TUBE, AIR CLEANER CONNECTING | 1 | |
| 010 | 17255-758-000 | BAND, AIR CLEANER CONNECTING TUBE | 1 | |
| 011 | 95018-50250 | BAND, AIR CLEANER CONNECTING TUBE (50) | 1 | |
| 012 | 90017-ZJ1-000 | BOLT, AIR CLEANER | 1 | |
| 013 | 90018-ZE1-000 | BOLT, FLANGE, 6X23 (CT200) | 3 | |
| <u>Ref</u> | <u>Partnumber</u> | <u>Description</u> | <u>GX620</u> | <u>Serial Numbers</u> |
| 014 | 90120-102-000 | COLLAR, AIR CLEANER CASE | 4 | |
| 015 | 93500-040200A | SCREW, PAN, 4X20 | 1 | |
| 016 | 93891-0501608 | SCREW-WASHER, 5X16 | 2 | |
| 017 | 95701-0601800 | BOLT, FLANGE, 6X18 | 1 | |

| | |
|-------------|------------------|
| GX620(VZE5) | E-16 MUFFLER (1) |
|-------------|------------------|



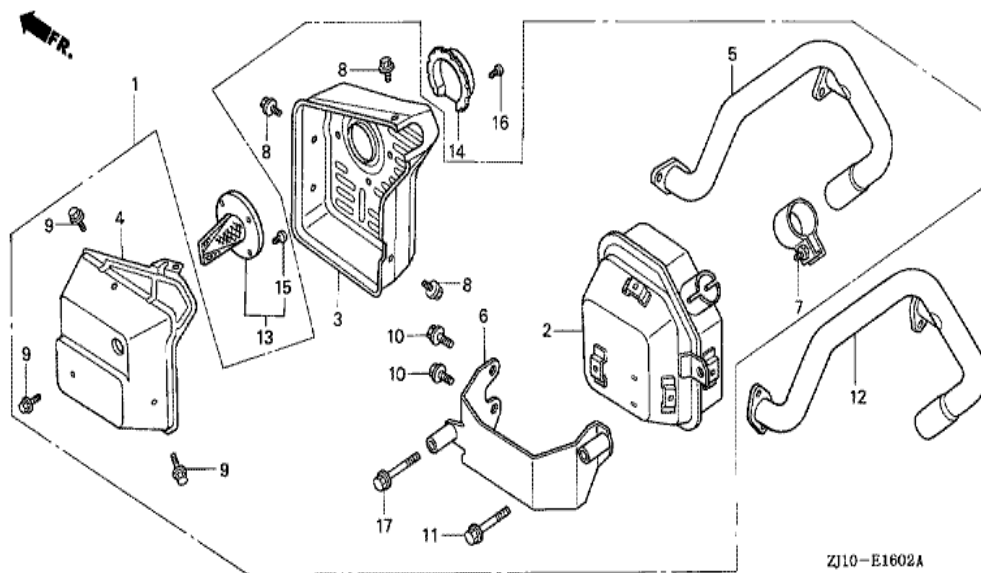
| <u>Ref</u> | <u>Partnumber</u> | <u>Description</u> | <u>GX620</u> | <u>Serial Numbers</u> |
|------------|-------------------|--|--------------|-----------------------|
| 001 | 06183-ZJ1-810 | MUFFLER KIT (HIGH-A) | (1) | |
| 002 | 18310-ZJ1-003 | MUFFLER COMP. (HIGH-R) (NELSON) (BLACK M | (1) | |
| 003 | 18321-ZJ1-003 | PROTECTOR, MUFFLER (HIGH) (FUTABA) | 1 | |
| 003 | 18321-ZJ1-003 | PROTECTOR, MUFFLER (HIGH) (FUTABA) | (1) | |
| 004 | 18330-ZJ1-003 | PIPE COMP., EX. (HIGH-R) | (1) | |
| 005 | 18338-ZJ1-003 | STAY, MUFFLER (HIGH-NELSON) | (1) | |
| 005 | 18338-ZJ1-003 | STAY, MUFFLER (HIGH-NELSON) | (1) | |
| 006 | 18396-ZJ1-003 | BAND ASSY. | 1 | |
| 006 | 18396-ZJ1-003 | BAND ASSY. | (1) | |
| 007 | 95701-0600800 | BOLT, FLANGE, 6X8 | (6) | |
| 007 | 95701-0600800 | BOLT, FLANGE, 6X8 | (6) | 2195883 |
| 008 | 95701-0801400 | BOLT, FLANGE, 8X14 | (4) | |
| 008 | 95701-0801400 | BOLT, FLANGE, 8X14 | (4) | 2195883 |
| <u>Ref</u> | <u>Partnumber</u> | <u>Description</u> | <u>GX620</u> | <u>Serial Numbers</u> |
| 009 | 95701-0802000 | BOLT, FLANGE, 8X20 | 4 | |
| 009 | 95701-0802000 | BOLT, FLANGE, 8X20 | (4) | |
| 011 | 18355-ZJ1-003 | ARRESTER, SPARK | (1) | |
| 012 | 90009-ZJ1-801 | SCREW (NELSON) | (1) | |

| | |
|-------------|--------------------|
| GX620(VZE5) | E-16-1 MUFFLER (2) |
|-------------|--------------------|



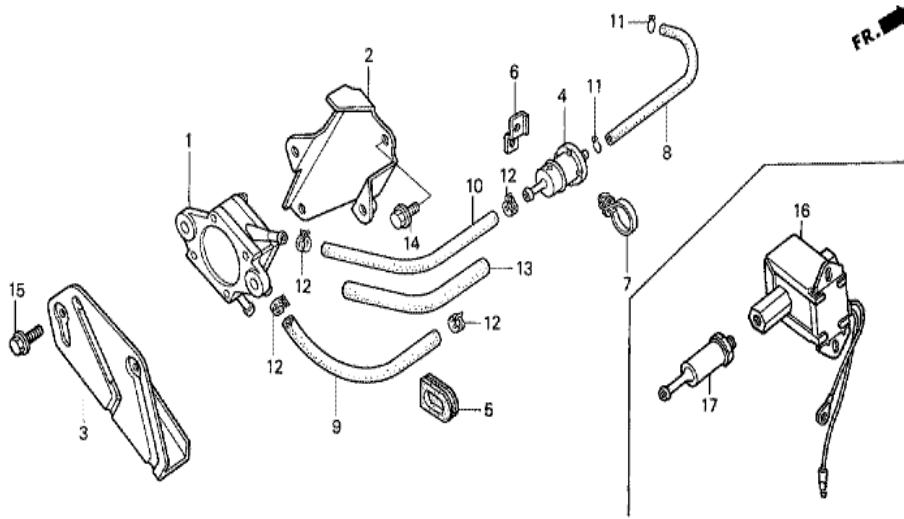
| <u>Ref</u> | <u>Partnumber</u> | <u>Description</u> | <u>GX620</u> | <u>Serial Numbers</u> |
|------------|-------------------|--|--------------|-----------------------|
| 001 | 06183-ZJ1-820 | MUFFLER KIT (HIGH-B) | (1) | |
| 002 | 18310-ZJ1-003 | MUFFLER COMP. (HIGH-R) (NELSON) (BLACK M | (1) | |
| 003 | 18321-ZJ1-003 | PROTECTOR, MUFFLER (HIGH) (FUTABA) | 1 | |
| 003 | 18321-ZJ1-003 | PROTECTOR, MUFFLER (HIGH) (FUTABA) | (1) | |
| 004 | 18330-ZJ1-601 | PIPE COMP., EX. (HIGH-L) | (1) | |
| 005 | 18338-ZJ1-003 | STAY, MUFFLER (HIGH-NELSON) | (1) | |
| 005 | 18338-ZJ1-003 | STAY, MUFFLER (HIGH-NELSON) | (1) | |
| 006 | 18396-ZJ1-003 | BAND ASSY. | 1 | |
| 006 | 18396-ZJ1-003 | BAND ASSY. | (1) | |
| 007 | 95701-0600800 | BOLT, FLANGE, 6X8 | 6 | |
| 007 | 95701-0600800 | BOLT, FLANGE, 6X8 | (6) | |
| 008 | 95701-0801400 | BOLT, FLANGE, 8X14 | 4 | |
| 008 | 95701-0801400 | BOLT, FLANGE, 8X14 | (4) | |
| <u>Ref</u> | <u>Partnumber</u> | <u>Description</u> | <u>GX620</u> | <u>Serial Numbers</u> |
| 009 | 95701-0802000 | BOLT, FLANGE, 8X20 | 4 | |
| 009 | 95701-0802000 | BOLT, FLANGE, 8X20 | (4) | |

| | |
|-------------|--------------------|
| GX620(VZE5) | E-16-2 MUFFLER (3) |
|-------------|--------------------|



| <u>Ref</u> | <u>Partnumber</u> | <u>Description</u> | <u>GX620</u> | <u>Serial Numbers</u> |
|------------|-------------------|---|--------------|-----------------------|
| 001 | 06183-ZJ1-830 | MUFFLER KIT (SIDE-L) | (1) | |
| 002 | 18310-ZJ1-801 | MUFFLER COMP. (SIDE-L) (FUTABA) (SILVER | 1 | |
| 002 | 18310-ZJ1-801 | MUFFLER COMP. (SIDE-L) (FUTABA) (SILVER | (1) | |
| 003 | 18321-ZJ1-801 | PROTECTOR, MUFFLER (SIDE-L) | (1) | |
| 004 | 18325-ZJ1-801 | PROTECTOR, RR. MUFFLER (SIDE-L) | 1 | |
| 004 | 18325-ZJ1-801 | PROTECTOR, RR. MUFFLER (SIDE-L) | (1) | |
| 005 | 18330-ZJ1-801 | PIPE COMP., EX. (SIDE-L) | (1) | |
| 006 | 18338-ZJ1-801 | STAY, MUFFLER (SIDE-L) | (1) | |
| 007 | 18396-ZJ1-003 | BAND ASSY. | 1 | |
| 007 | 18396-ZJ1-003 | BAND ASSY. | (1) | |
| 008 | 93500-060080A | SCREW, PAN, 6X8 | (4) | |
| 009 | 95701-0600800 | BOLT, FLANGE, 6X8 | 3 | |
| 009 | 95701-0600800 | BOLT, FLANGE, 6X8 | (3) | |
| <u>Ref</u> | <u>Partnumber</u> | <u>Description</u> | <u>GX620</u> | <u>Serial Numbers</u> |
| 010 | 95701-0801400 | BOLT, FLANGE, 8X14 | 2 | |
| 010 | 95701-0801400 | BOLT, FLANGE, 8X14 | (2) | |
| 011 | 95701-0805500 | BOLT, FLANGE, 8X55 | (1) | |
| 011 | 95701-0805500 | BOLT, FLANGE, 8X55 | (1) | |
| 014 | 18431-ZJ1-801 | DEFLECTOR, MUFFLER | (1) | |
| 015 | 90009-ZJ1-801 | SCREW (NELSON) | (4) | |
| 017 | 95701-0805500 | BOLT, FLANGE, 8X55 | (1) | |
| 017 | 95701-0805500 | BOLT, FLANGE, 8X55 | (1) | |

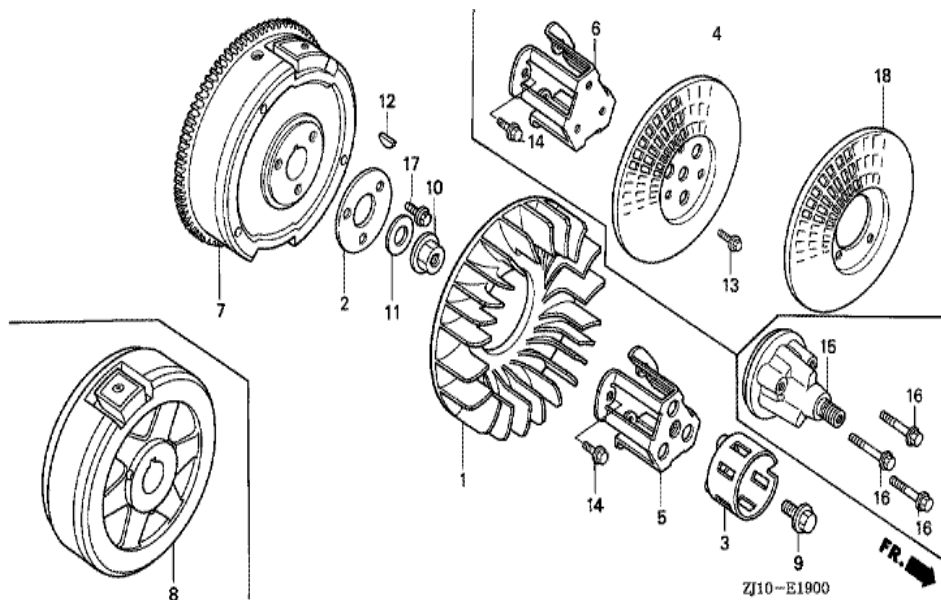
| | |
|-------------|------------------------|
| GX620(VZE5) | E-18 FUEL PUMP (GX620) |
|-------------|------------------------|



ZJ10-E1800A

| <u>Ref</u> | <u>Partnumber</u> | <u>Description</u> | <u>GX620</u> | <u>Serial Numbers</u> |
|------------|-------------------|--|--------------|-----------------------|
| 001 | 16700-ZJ1-003 | PUMP ASSY., FUEL | 1 | |
| 002 | 16711-ZJ1-800 | STAY, FUEL PUMP | 1 | |
| 004 | 16910-ZE8-015 | STRAINER COMP., FUEL | 1 | |
| 005 | 19905-ZA8-701 | GROMMET, CORD | 1 | |
| 006 | 35806-752-630 | BASE, CLIP | 1 | |
| 007 | 90617-SA0-003 | CLIP, WIRE HARNESS | 1 | |
| 008 | 95001-4511040 | TUBE, FUEL, 4.5X110 (95001-45001-60M) | 1 | |
| 009 | 95001-5519540 | TUBE, FUEL, 5.3X195 (95001-55001-60M) | 1 | |
| 010 | 95001-5521540 | TUBE, FUEL, 5.5X215 (95001-55001-60M) | 1 | |
| 011 | 95002-02080 | CLIP, TUBE (B8) | 2 | |
| 012 | 95002-4105008 | CLAMP, TUBE (D10.5) | 2 | |
| 012 | 95002-4105008 | CLAMP, TUBE (D10.5) | 4 | |
| 013 | 95003-3601620 | TUBE, VINYL, 11X13X160 (95003-36001-10M) | 1 | |
| <u>Ref</u> | <u>Partnumber</u> | <u>Description</u> | <u>GX620</u> | <u>Serial Numbers</u> |
| 014 | 95701-0600800 | BOLT, FLANGE, 6X8 | 2 | |
| 015 | 95701-0601400 | BOLT, FLANGE, 6X14 | 2 | |

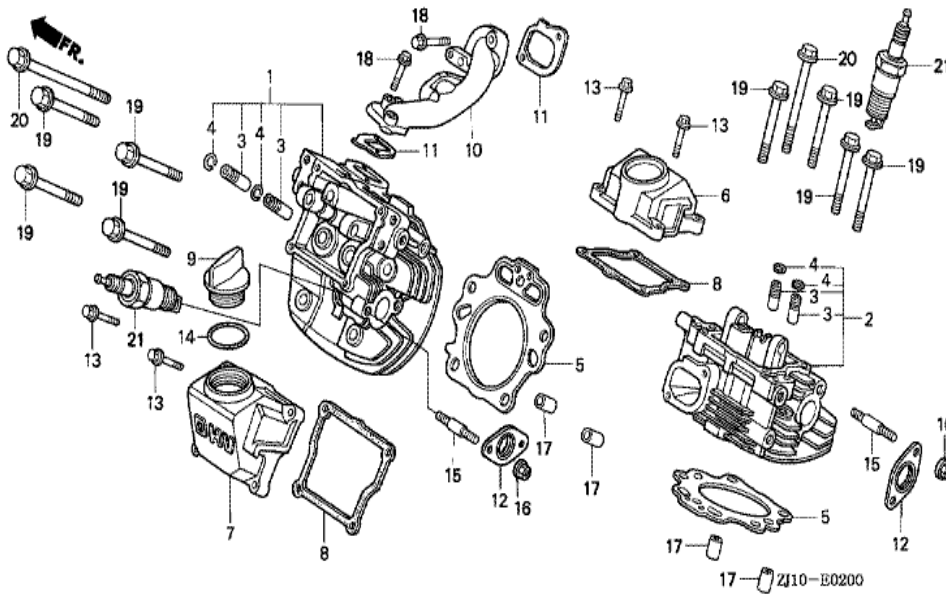
| | |
|-------------|---------------|
| GX620(VZE5) | E-19 FLYWHEEL |
|-------------|---------------|



| <u>Ref</u> | <u>Partnumber</u> | <u>Description</u> | <u>GX620</u> | <u>Serial Numbers</u> |
|------------|-------------------|---------------------------------|--------------|-----------------------|
| 001 | 19511-ZJ1-000 | FAN, COOLING | 1 | |
| 003 | 28451-ZJ1-801 | PULLEY, STARTER | 1 | |
| 004 | 28452-ZJ1-811 | GRID, SCREEN (P.T.O.) | 1 | |
| 005 | 28453-ZJ1-801 | SPACER, STARTER PULLEY MOUNTING | 1 | |
| 006 | 28454-ZJ1-801 | HOLDER, SCREEN GRID | 1 | |
| 006 | 28454-ZJ1-801 | HOLDER, SCREEN GRID | (1) | |
| 007 | 31110-ZJ1-811 | FLYWHEEL COMP. | 1 | 1016674 |
| 007 | 31110-ZJ1-811 | FLYWHEEL COMP. | 1 | |
| 009 | 90013-ZJ1-800 | BOLT, UBS, 12X28 | 1 | |
| 010 | 90201-ZG3-000 | NUT, FLANGE, 20MM | 1 | |
| 011 | 90401-ZG3-000 | WASHER, 20MM | 1 | |
| 012 | 90741-ZE2-000 | KEY, SPECIAL WOODRUFF, 25X18 | 1 | |
| 014 | 95701-0801600 | BOLT, FLANGE, 8X16 | 3 | |
| <u>Ref</u> | <u>Partnumber</u> | <u>Description</u> | <u>GX620</u> | <u>Serial Numbers</u> |
| 018 | 28452-ZJ1-811 | GRID, SCREEN (P.T.O.) | (1) | |

GX620(VZE5)

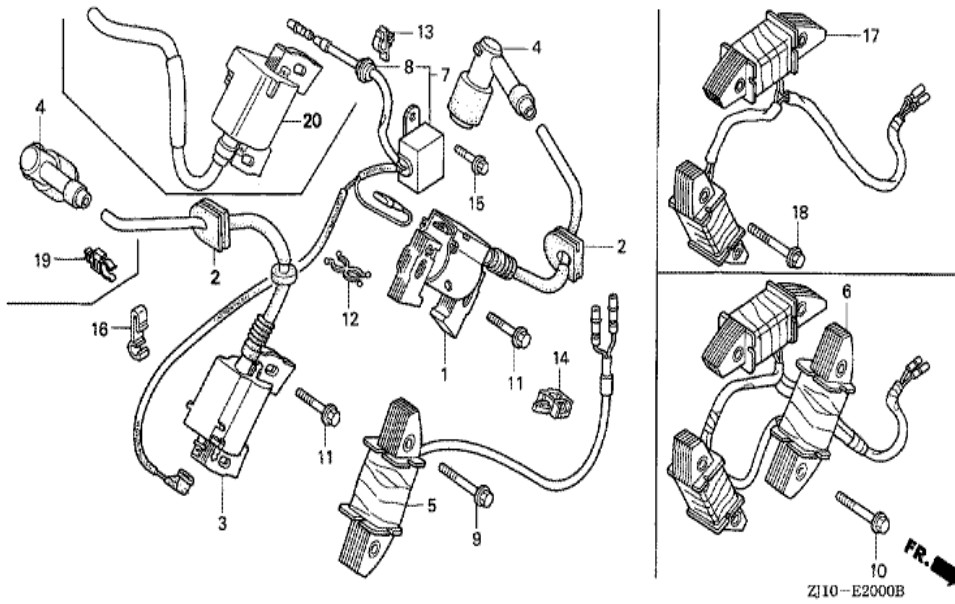
E-2 CYLINDER HEAD (GX620)



| <u>Ref</u> | <u>Partnumber</u> | <u>Description</u> | <u>GX620</u> | <u>Serial Numbers</u> |
|------------|-------------------|----------------------------|--------------|-----------------------|
| 001 | 12210-ZJ1-000 | HEAD COMP., R. CYLINDER | 1 | |
| 002 | 12220-ZJ1-U80 | HEAD COMP., CYLINDER (#2) | 1 | |
| 002 | 12220-ZJ1-U80 | HEAD COMP., CYLINDER (#2) | 1 | |
| 003 | 12205-ZE2-305 | GUIDE, EX. VALVE (OS) | (4) | |
| 004 | 12216-ZE2-300 | CLIP, VALVE GUIDE | 4 | |
| 005 | 12251-ZJ1-003 | GASKET, CYLINDER HEAD | 2 | |
| 006 | 12311-ZJ1-000 | COVER, HEAD | 1 | |
| 007 | 12314-ZJ1-000 | COVER, HEAD FILLER | 1 | |
| 008 | 12391-ZJ1-000 | PACKING, HEAD COVER | 2 | |
| 009 | 15611-921-000 | CAP, OIL (YELLOW) | 1 | |
| 010 | 17101-ZJ1-000 | MANIFOLD, INTAKE | 1 | |
| 011 | 17151-ZJ1-003 | GASKET, INTAKE MANIFOLD | 2 | |
| 012 | 18333-ZJ1-000 | GASKET, EX. PIPE | 2 | |
| <u>Ref</u> | <u>Partnumber</u> | <u>Description</u> | <u>GX620</u> | <u>Serial Numbers</u> |
| 013 | 90121-ZJ1-000 | BOLT, FLANGE, 6X25 (CT200) | 8 | |
| 014 | 91301-805-000 | O-RING, 26X2.7 | 1 | |
| 015 | 92900-080250B | BOLT, STUD, 8X25 | 4 | |
| 016 | 94050-08000 | NUT, FLANGE, 8MM | 4 | |
| 017 | 94301-12200 | DOWEL PIN, 12X20 | 4 | |
| 018 | 95701-0603200 | BOLT, FLANGE, 6X32 | 4 | |
| 019 | 95701-1007500 | BOLT, FLANGE, 10X75 | 8 | |
| 020 | 95701-1013000 | BOLT, FLANGE, 10X130 | 2 | |
| 021 | 98079-56846 | PLUG, SPARK (BPR6ES) (NGK) | 2 | |
| 021 | 98079-56846 | PLUG, SPARK (BPR6ES) (NGK) | 2 | |

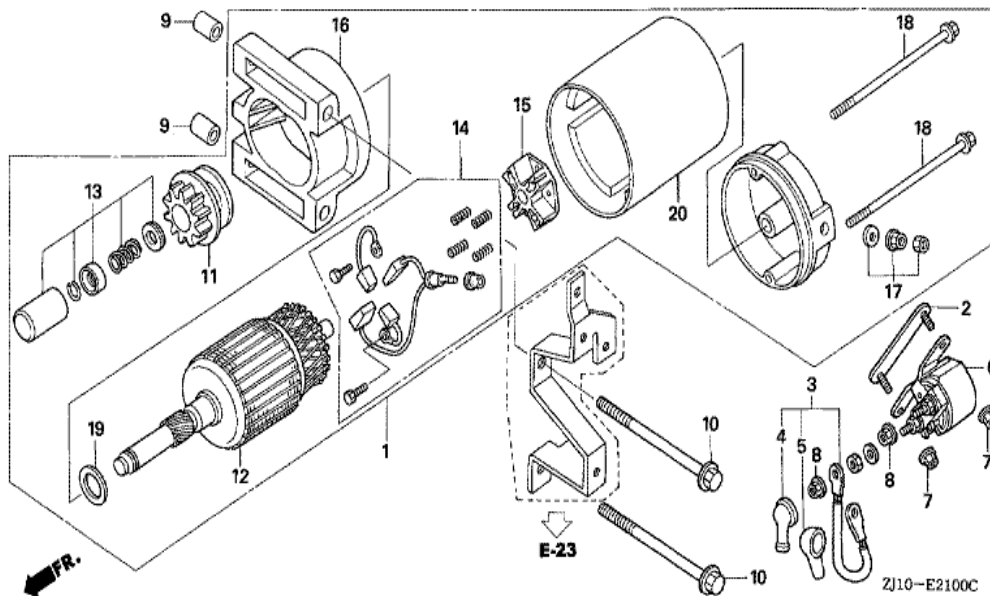
GX620(VZE5)

E-20 IGNITION COIL



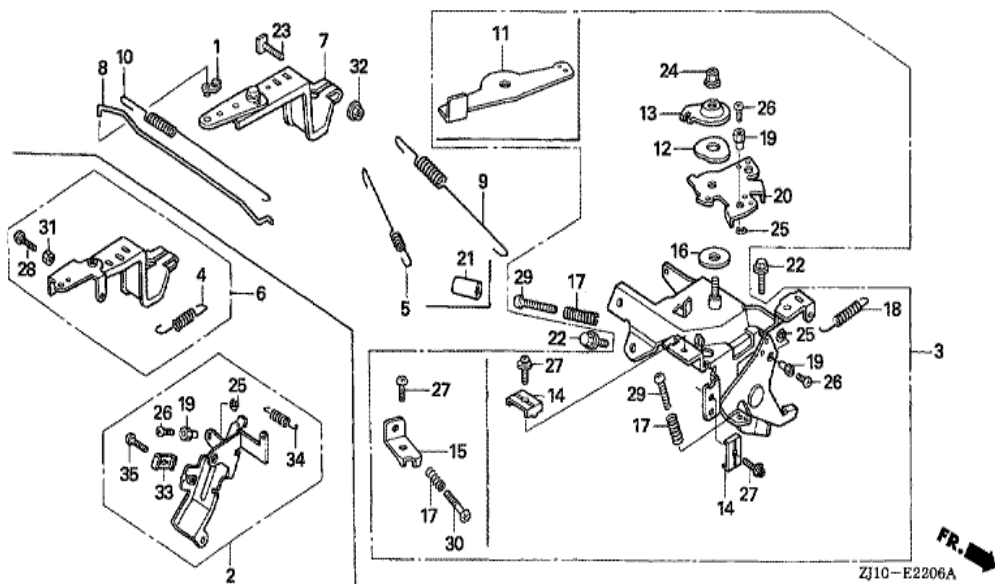
| Ref | Partnumber | Description | GX620 | Serial Numbers |
|-----|---------------|-----------------------------|-------|----------------|
| 001 | 30500-ZJ1-013 | COIL ASSY., IGNITION | 1 | |
| 002 | 30518-ZJ1-000 | GROMMET, HIGH TENSION CORD | 2 | |
| 003 | 30550-ZJ1-013 | COIL ASSY., IGNITION | 1 | |
| 004 | 30700-ZJ1-003 | CAP ASSY., NOISE SUPPRESSOR | 2 | |
| 005 | 31630-ZJ1-003 | COIL ASSY., CHARGE (12V/3A) | 1 | 2178156 |
| 005 | 31630-ZJ1-003 | COIL ASSY., CHARGE (12V/3A) | 1 | |
| 007 | 31740-ZJ1-003 | DIODE ASSY., ENGINE STOP | 1 | |
| 008 | 63312-ZA7-000 | GROMMET, TOOL | 1 | |
| 009 | 90014-ZE6-000 | BOLT, FLANGE, 6X35 (CT200) | 2 | |
| 011 | 90121-952-000 | BOLT, FLANGE, 6X25 (CT200) | 2 | |
| 011 | 90121-952-000 | BOLT, FLANGE, 6X25 (CT200) | 2 | |
| 012 | 90658-SA0-003 | CLIP, WIRE HARNESS | 1 | |
| 015 | 95701-0600800 | BOLT, FLANGE, 6X8 | 1 | |

| | |
|-------------|----------------------------|
| GX620(VZE5) | E-21 STARTER MOTOR (GX620) |
|-------------|----------------------------|



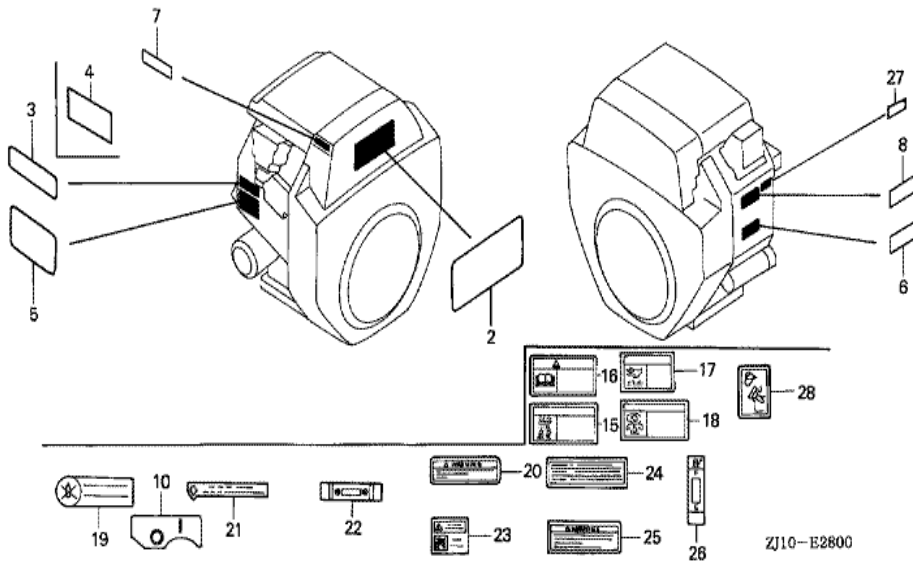
| <u>Ref</u> | <u>Partnumber</u> | <u>Description</u> | <u>GX620</u> | <u>Serial Numbers</u> |
|------------|-------------------|-----------------------------------|--------------|-----------------------|
| 001 | 31200-ZJ1-004 | MOTOR ASSY., STARTER | 1 | |
| 002 | 31243-ZJ1-800 | BRACKET, STARTER MAGNETIC SETTING | 1 | |
| 003 | 32402-ZJ1-810 | CORD, MAGNET SWITCH | 1 | |
| 004 | 32411-KB9-930 | COVER A, MAGNETIC SWITCH | 1 | |
| 005 | 32411-402-000 | COVER, STARTING MOTOR TERMINAL | 1 | |
| 006 | 35850-ZJ1-811 | SWITCH ASSY., STARTER MAGNETIC | 1 | |
| 007 | 94050-06000 | NUT, FLANGE, 6MM | 2 | |
| 008 | 94070-06080 | NUT-WASHER, 6MM | 2 | |
| 009 | 94301-10120 | DOWEL PIN, 10X12 | 2 | |
| 010 | 95701-0811000 | BOLT, FLANGE, 8X110 | 2 | |
| 011 | 31213-ZJ1-004 | GEAR SET, PINION | 1 | |
| 012 | 31217-ZJ1-004 | ARMATURE COMP. (###) | 1 | |
| 013 | 31225-ZJ1-004 | STOPPER SET, PINION | 1 | |
| <u>Ref</u> | <u>Partnumber</u> | <u>Description</u> | <u>GX620</u> | <u>Serial Numbers</u> |
| 014 | 31226-ZJ1-004 | BRUSH SET | 1 | |
| 015 | 31231-ZJ1-004 | HOLDER COMP., BRUSH | 1 | |
| 016 | 31235-ZJ1-004 | BRACKET COMP., FR. (###) | 1 | |
| 017 | 31237-ZJ1-004 | NUT SET, TERMINAL | 1 | |
| 018 | 31261-ZJ1-004 | BOLT, THROUGH | 2 | |
| 019 | 90407-ZJ1-004 | WASHER, THRUST | 1 | |
| 020 | 31216-ZJ1-004 | YOKE COMP. | 1 | |

| | |
|-------------|--------------------|
| GX620(VZE5) | E-22-6 CONTROL (7) |
|-------------|--------------------|



| Ref | Partnumber | Description | GX620 | Serial Numbers |
|-----|---------------|---------------------------------|-------|----------------|
| 001 | 16263-ZE3-790 | JOINT, ROD | 1 | |
| 002 | 16265-ZJ1-V50 | STAY ASSY., AUTO THROTTLE (SEC) | 1 | |
| 003 | 16500-ZJ1-V50 | CONTROL ASSY. (SEC) | 1 | |
| 003 | 16500-ZJ1-V50 | CONTROL ASSY. (SEC) | 1 | |
| 004 | 16534-ZJ1-U80 | SPRING, RETURN | 1 | |
| 006 | 16550-ZJ1-U80 | ARM COMP., GOVERNOR | 1 | |
| 008 | 16555-ZJ1-000 | ROD, GOVERNOR | 1 | |
| 009 | 16561-ZJ1-890 | SPRING, GOVERNOR | 1 | 1020789 |
| 009 | 16561-ZJ1-891 | SPRING, GOVERNOR | 1 | 1020790 |
| 010 | 16562-ZJ1-000 | SPRING, THROTTLE RETURN | 1 | |
| 011 | 16571-ZJ1-U80 | LEVER, CONTROL | 1 | |
| 012 | 16574-ZE1-000 | SPRING, LEVER | 1 | |
| 013 | 16575-ZH8-000 | WASHER, CONTROL LEVER | 1 | |
| Ref | Partnumber | Description | GX620 | Serial Numbers |
| 014 | 16576-891-000 | HOLDER, CABLE | 1 | |
| 015 | 16577-ZJ1-U80 | STOPPER, CONTROL LEVER | 1 | |
| 016 | 16578-ZE1-000 | SPACER, CONTROL LEVER | 1 | |
| 017 | 16584-883-300 | SPRING, CONTROL ADJUSTING | 2 | |
| 018 | 16592-ZJ1-000 | SPRING, CABLE RETURN | 1 | |
| 019 | 16594-883-010 | HOLDER, WIRE | 2 | |
| 022 | 90013-883-000 | BOLT, FLANGE, 6X12 (CT200) | 2 | |
| 024 | 90114-SA0-000 | NUT, SELF-LOCK, 6MM | 1 | |
| 025 | 90605-230-000 | CIRCLIP, 5MM | 2 | |
| 026 | 93500-040060H | SCREW, PAN, 4X6 | 2 | |
| 027 | 93500-050120H | SCREW, PAN, 5X12 | 1 | |
| 027 | 93500-050160A | SCREW, PAN, 5X16 | 2 | |
| 028 | 93500-050160A | SCREW, PAN, 5X16 | 1 | |
| 029 | 93500-050250H | SCREW, PAN, 5X25 | 1 | |
| 030 | 93500-050280A | SCREW, PAN, 5X28 | 1 | |
| 031 | 94001-050000S | NUT, HEX., 5MM | 1 | |

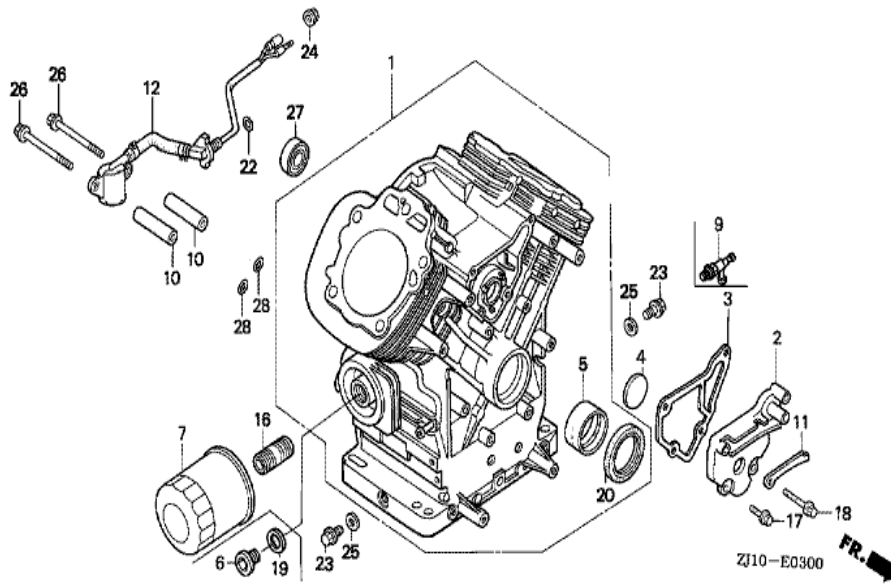
| | |
|-------------|--------------------|
| GX620(VZE5) | E-28 LABEL (GX620) |
|-------------|--------------------|



| Ref | Partnumber | Description | GX620 | Serial Numbers |
|-----|---------------|------------------------------|-------|----------------|
| 002 | 87101-ZJ1-000 | EMBLEM (GX620) | 1 | |
| 003 | 87152-ZJ1-000 | LABEL, SPECIFICATION (GX620) | 1 | |
| 005 | 87522-ZJ1-000 | LABEL, CAUTION | 1 | |
| 008 | 87532-ZH8-810 | MARK, OIL ALERT (ENGLISH) | (1) | |
| 008 | 87532-ZH8-810 | MARK, OIL ALERT (ENGLISH) | 1 | |

GX620(VZE5)

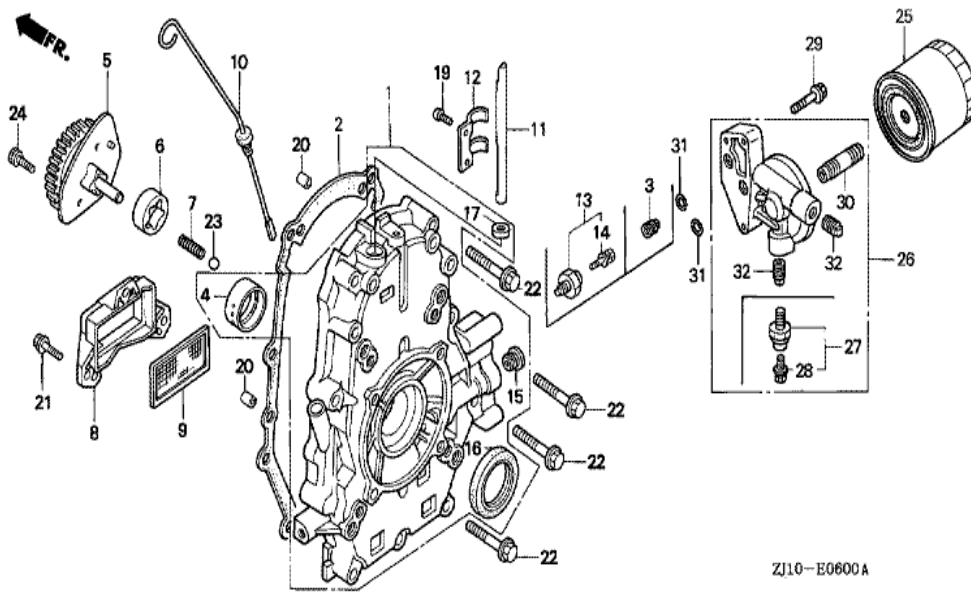
E-3 CYLINDER BARREL (GX620)



| Ref | Partnumber | Description | GX620 | Serial Numbers |
|-----|---------------|-----------------------------------|-------|----------------|
| 001 | 12000-ZJ1-810 | BARREL ASSY., CYLINDER | (1) | |
| 001 | 12000-ZJ1-810 | BARREL ASSY., CYLINDER | 1 | |
| 002 | 12356-ZJ1-000 | COVER, BREATHER | 1 | |
| 003 | 12358-ZJ1-000 | PACKING, BREATHER COVER | 1 | |
| 004 | 12372-ZE2-300 | VALVE, BREATHER | 1 | |
| 005 | 13321-ZJ1-000 | BEARING A, MAIN (BLUE) | 1 | |
| 005 | 13322-ZJ1-000 | BEARING B, MAIN (BLACK) | 1 | |
| 005 | 13322-ZJ1-000 | BEARING B, MAIN (BLACK) | 1 | |
| 005 | 13323-ZJ1-000 | BEARING C, MAIN (BROWN) | 1 | |
| 005 | 13323-ZJ1-000 | BEARING C, MAIN (BROWN) | 1 | |
| 007 | 15400-ZJ1-004 | CARTRIDGE, OIL FILTER (TOYO ROKI) | 1 | |
| 007 | 15400-ZJ1-004 | CARTRIDGE, OIL FILTER (TOYO ROKI) | 1 | |
| 009 | 15558-ZJ1-003 | VALVE, OIL SHUT-OFF | (1) | |
| Ref | Partnumber | Description | GX620 | Serial Numbers |
| 010 | 25523-VD6-010 | COLLAR, FILTER SETTING | 2 | |
| 011 | 31511-ZJ1-000 | CLAMPER, CORD | 1 | |
| 012 | 35480-ZJ1-812 | SWITCH ASSY., OIL LEVEL | 1 | |
| 016 | 90018-PN3-000 | HOLDER, OIL FILTER | 1 | |
| 017 | 90029-888-000 | BOLT, FLANGE, 6X16 (CT200) | 2 | |
| 018 | 90031-ZE1-000 | BOLT, FLANGE, 6X32 | 2 | |
| 020 | 91201-ZJ1-003 | OIL SEAL, 38X58X11 | 1 | |
| 022 | 91353-671-004 | O-RING, 14MM (NOK) | 1 | |
| 023 | 92800-14000 | BOLT, DRAIN PLUG, 14MM | 2 | |
| 024 | 94050-10000 | NUT, FLANGE, 10MM | 1 | |
| 025 | 94109-14000 | WASHER, DRAIN PLUG, 14MM | 2 | |
| 026 | 95701-0607509 | BOLT, FLANGE, 6X75 | 2 | |
| 027 | 96140-6003010 | BEARING, RADIAL BALL, 6003 | 1 | |
| 028 | 91302-MB6-830 | O-RING, 13X3.0 | 2 | |

GX620(VZE5)

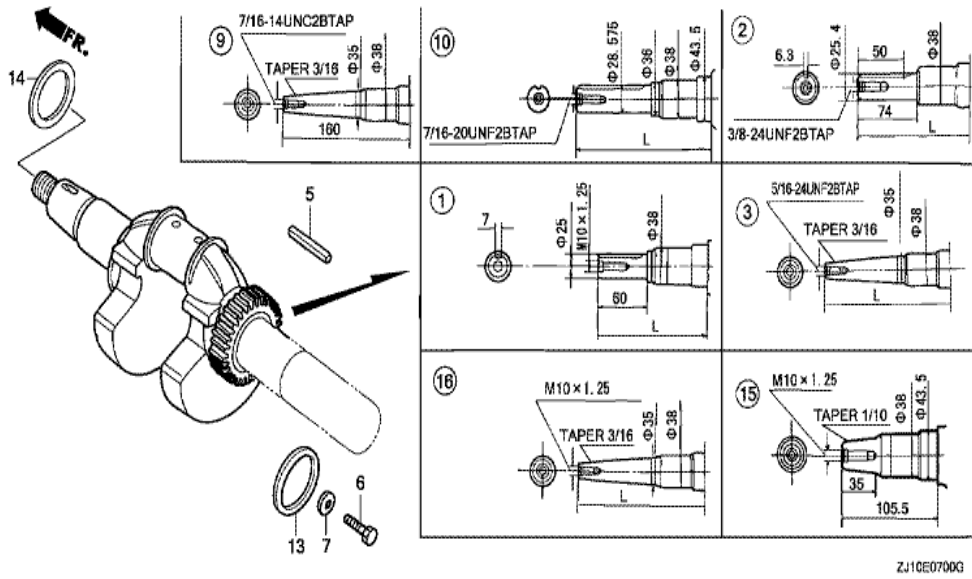
E-6 CRANKCASE COVER (GX620)



ZJ10-E0600A

| Ref | Partnumber | Description | GX620 | Serial Numbers |
|-----|---------------|-----------------------------------|-------|----------------|
| 001 | 11300-ZJ1-000 | COVER ASSY., CRANKCASE | 1 | |
| 002 | 11381-ZJ1-000 | PACKING, CASE COVER | 1 | |
| 003 | 12105-ZA0-701 | BOLT, SEALING | 1 | |
| 004 | 13321-ZJ1-000 | BEARING A, MAIN (BLUE) | 1 | |
| 004 | 13322-ZJ1-000 | BEARING B, MAIN (BLACK) | 1 | |
| 004 | 13322-ZJ1-000 | BEARING B, MAIN (BLACK) | 1 | |
| 004 | 13323-ZJ1-000 | BEARING C, MAIN (BROWN) | 1 | |
| 004 | 13323-ZJ1-000 | BEARING C, MAIN (BROWN) | 1 | |
| 005 | 15120-ZJ1-000 | COVER ASSY., OIL PUMP (TWO BOLTS) | 1 | |
| 006 | 15124-ZJ1-003 | ROTOR, OIL PUMP OUTER | 1 | |
| 007 | 15232-ZJ1-000 | SPRING, RELIEF VALVE | 1 | |
| 008 | 15348-ZJ1-000 | COVER, OIL FILTER | 1 | |
| 009 | 15427-ZJ1-000 | SCREEN, OIL FILTER | 1 | |
| Ref | Partnumber | Description | GX620 | Serial Numbers |
| 010 | 15655-ZJ1-000 | GAUGE COMP., OIL LEVEL | 1 | |
| 011 | 16541-ZJ1-000 | SHAFT, GOVERNOR ARM | 1 | |
| 012 | 16542-ZJ1-000 | FORK, GOVERNOR | 1 | |
| 015 | 90007-ZG8-300 | BOLT, SEALING, 12MM | 1 | |
| 016 | 91201-ZJ1-003 | OIL SEAL, 38X58X11 | 1 | |
| 017 | 91206-333-003 | OIL SEAL, 10X16X4.5 | 1 | |
| 019 | 93500-050100A | SCREW, PAN, 5X10 | 2 | |
| 020 | 94301-08140 | DOWEL PIN, 8X14 | 2 | |
| 021 | 95701-0602000 | BOLT, FLANGE, 6X20 | 3 | |
| 022 | 95701-0805000 | BOLT, FLANGE, 8X50 | 9 | |
| 023 | 96211-12000 | BALL, STEEL, #12 (3/8) | 1 | |
| 024 | 96600-0601600 | BOLT, SOCKET, 6X16 | 2 | |
| 031 | 91302-MB6-830 | O-RING, 13X3.0 | 2 | |

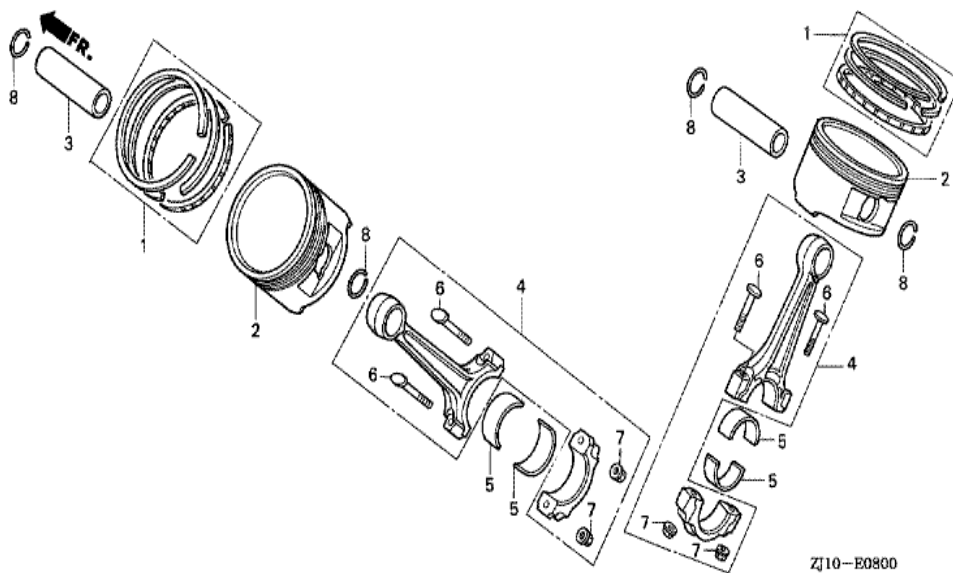
| | |
|-------------|----------------|
| GX620(VZE5) | E-7 CRANKSHAFT |
|-------------|----------------|



| Ref | Partnumber | Description | GX620 | Serial Numbers |
|-----|---------------|-------------------------------------|-------|----------------|
| 003 | 13310-ZJ1-V50 | CRANKSHAFT COMP. (L=163) (M10X1.25) | 1 | |
| 003 | 13310-ZJ1-V50 | CRANKSHAFT COMP. (L=163) (M10X1.25) | 1 | |
| 016 | 13310-ZJ1-V50 | CRANKSHAFT COMP. (L=163) (M10X1.25) | 1 | |

GX620(VZE5)

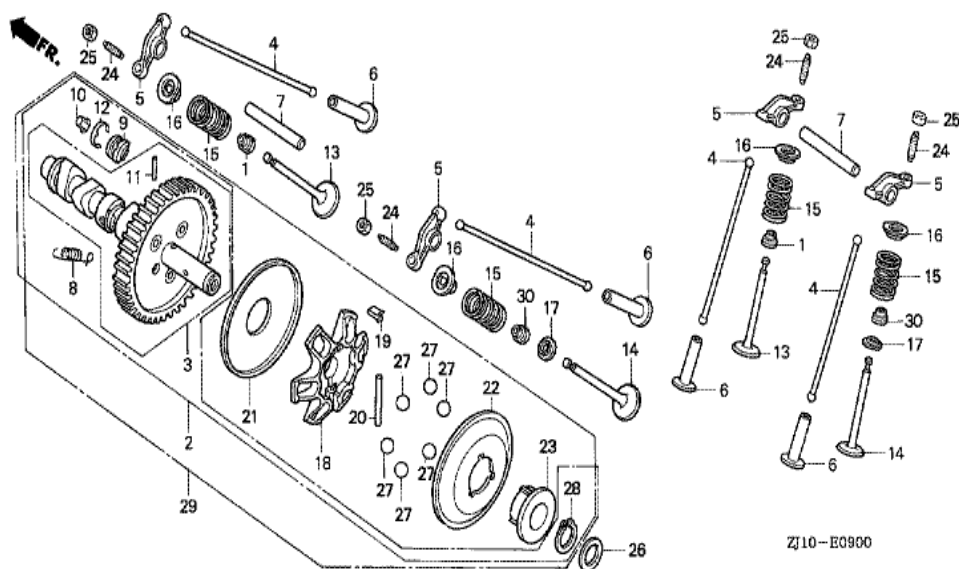
E-8 PISTON (GX620)



| Ref | Partnumber | Description | GX620 | Serial Numbers |
|-----|---------------|-----------------------------------|-------|----------------|
| 001 | 13010-ZE8-601 | RING SET, PISTON (STD.) (NIPPON) | 2 | |
| 001 | 13010-ZE8-602 | RING SET, PISTON (STD.) (TEIKOKU) | 2 | |
| 001 | 13010-ZE8-602 | RING SET, PISTON (STD.) (TEIKOKU) | 2 | |
| 001 | 13011-ZE8-601 | RING SET, PISTON (0.25) (NIPPON) | (2) | |
| 001 | 13011-ZE8-601 | RING SET, PISTON (0.25) (NIPPON) | (2) | |
| 001 | 13011-ZE8-602 | RING SET, PISTON (0.25) (TEIKOKU) | (2) | |
| 001 | 13011-ZE8-602 | RING SET, PISTON (0.25) (TEIKOKU) | (2) | |
| 001 | 13012-ZE8-601 | RING SET, PISTON (0.50) (NIPPON) | (2) | |
| 001 | 13012-ZE8-601 | RING SET, PISTON (0.50) (NIPPON) | (2) | |
| 001 | 13012-ZE8-602 | RING SET, PISTON (0.50) (TEIKOKU) | (2) | |
| 001 | 13012-ZE8-602 | RING SET, PISTON (0.50) (TEIKOKU) | (2) | |
| 001 | 13013-ZE8-601 | RING SET, PISTON (0.75) (NIPPON) | (2) | |
| 001 | 13013-ZE8-601 | RING SET, PISTON (0.75) (NIPPON) | (2) | |

| <u>Ref</u> | <u>Partnumber</u> | <u>Description</u> | <u>GX620</u> | <u>Serial Numbers</u> |
|------------|-------------------|------------------------------------|--------------|-----------------------|
| 001 | 13013-ZE8-602 | RING SET, PISTON (0.75) (TEIKOKU) | (2) | |
| 001 | 13013-ZE8-602 | RING SET, PISTON (0.75) (TEIKOKU) | (2) | |
| 002 | 13101-ZJ1-000 | PISTON (STD.) | 2 | |
| 002 | 13102-ZJ1-000 | PISTON (0.25) | (2) | |
| 002 | 13102-ZJ1-000 | PISTON (0.25) | (2) | |
| 002 | 13103-ZJ1-000 | PISTON (0.50) | (2) | |
| 002 | 13103-ZJ1-000 | PISTON (0.50) | (2) | |
| 002 | 13104-ZJ1-000 | PISTON (0.75) | (2) | |
| 002 | 13104-ZJ1-000 | PISTON (0.75) | (2) | |
| 003 | 13111-ZJ1-000 | PIN, PISTON | 2 | |
| 003 | 13111-ZJ1-000 | PIN, PISTON | 2 | |
| 004 | 13210-ZJ1-000 | ROD SET, CONNECTING | 2 | |
| 005 | 13211-ZJ1-003 | BEARING A, CONNECTING ROD (BLUE) | 4 | |
| 005 | 13212-ZJ1-003 | BEARING B, CONNECTING ROD (BLACK) | 4 | |
| 005 | 13212-ZJ1-003 | BEARING B, CONNECTING ROD (BLACK) | 4 | |
| 005 | 13213-ZJ1-003 | BEARING C, CONNECTING ROD (BROWN) | 4 | |
| 005 | 13213-ZJ1-003 | BEARING C, CONNECTING ROD (BROWN) | 4 | |
| 005 | 13214-ZJ1-003 | BEARING D, CONNECTING ROD (GREEN) | 4 | |
| 005 | 13214-ZJ1-003 | BEARING D, CONNECTING ROD (GREEN) | 4 | |
| 005 | 13215-ZJ1-003 | BEARING E, CONNECTING ROD (YELLOW) | 4 | |
| 005 | 13215-ZJ1-003 | BEARING E, CONNECTING ROD (YELLOW) | 4 | |
| 005 | 13216-ZJ1-003 | BEARING F, CONNECTING ROD (PINK) | 4 | |
| 005 | 13216-ZJ1-003 | BEARING F, CONNECTING ROD (PINK) | 4 | |
| 005 | 13217-ZJ1-003 | BEARING G, CONNECTING ROD (RED) | 4 | |
| 005 | 13217-ZJ1-003 | BEARING G, CONNECTING ROD (RED) | 4 | |
| 006 | 13213-ML0-000 | BOLT, CONNECTING ROD | 4 | |
| 007 | 13215-KM3-000 | NUT, CONNECTING ROD | 4 | |
| 008 | 90551-ZE1-000 | CLIP, PISTON PIN, 18MM | 4 | 1025021 |
| 008 | 94601-18000 | CLIP, PISTON PIN, 18MM | 4 | 1025020 |
| 008 | 94601-18000 | CLIP, PISTON PIN, 18MM | 4 | 1025020 |

| | |
|-------------|----------------------|
| GX620(VZE5) | E-9 CAMSHAFT (GX620) |
|-------------|----------------------|

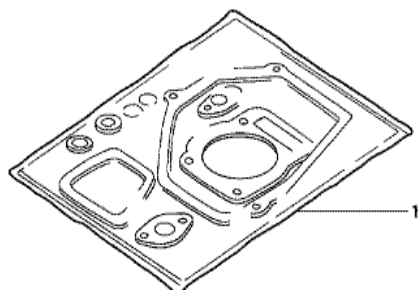


| Ref | Partnumber | Description | GX620 | Serial Numbers |
|-----|---------------|------------------------|-------|----------------|
| 001 | 12209-ZE8-003 | SEAL, VALVE STEM | 2 | |
| 002 | 14100-ZJ1-801 | CAMSHAFT ASSY. | 1 | |
| 003 | 14110-ZJ1-801 | CAMSHAFT COMP. | 1 | |
| 004 | 14410-ZJ1-000 | ROD, PUSH | 4 | |
| 005 | 14431-ZJ1-000 | ARM, VALVE ROCKER | 4 | |
| 006 | 14441-ZE2-000 | LIFTER, VALVE | 4 | |
| 007 | 14461-ZJ1-000 | SHAFT, ROCKER ARM | 2 | |
| 008 | 14568-ZJ1-800 | SPRING, WEIGHT RETURN | 1 | |
| 009 | 14569-ZJ1-801 | HOLDER, DECOMPER PIN | 2 | |
| 010 | 14576-ZJ1-801 | PIN A, DECOMPER (7.85) | 2 | |
| 010 | 14576-ZJ1-801 | PIN A, DECOMPER (7.85) | 2 | |
| 010 | 14577-ZJ1-801 | PIN B, DECOMPER (7.95) | 2 | |
| 010 | 14577-ZJ1-801 | PIN B, DECOMPER (7.95) | 2 | |

| <u>Ref</u> | <u>Partnumber</u> | <u>Description</u> | <u>GX620</u> | <u>Serial Numbers</u> |
|------------|-------------------|-------------------------------|--------------|-----------------------|
| 010 | 14578-ZJ1-801 | PIN C, DECOMPER (8.05) | 2 | |
| 010 | 14578-ZJ1-801 | PIN C, DECOMPER (8.05) | 2 | |
| 010 | 14579-ZJ1-801 | PIN D, DECOMPER (8.15) | 2 | |
| 010 | 14579-ZJ1-801 | PIN D, DECOMPER (8.15) | 2 | |
| 010 | 14580-ZJ1-801 | PIN E, DECOMPER (8.25) | 2 | |
| 010 | 14580-ZJ1-801 | PIN E, DECOMPER (8.25) | 2 | |
| 011 | 14581-ZJ1-801 | ROD, DECOMPER | 1 | |
| 012 | 14586-ZJ1-800 | SPRING, DECOMPER PIN HOLDER | 2 | |
| 013 | 14711-ZJ1-000 | VALVE, IN. | 2 | |
| 014 | 14721-ZJ1-000 | VALVE, EX. | 2 | |
| 015 | 14751-ZE2-003 | SPRING, VALVE | 4 | |
| 016 | 14771-ZE2-000 | RETAINER, IN. VALVE SPRING | 4 | |
| 017 | 14775-ZE2-010 | SEAT, VALVE SPRING | 2 | |
| 018 | 16512-ZJ1-000 | HOLDER, GOVERNOR WEIGHT | 1 | |
| 019 | 16522-ZJ1-000 | PLATE, GOVERNOR WEIGHT HOLDER | 1 | |
| 020 | 16523-ZJ1-000 | PIN, GOVERNOR WEIGHT HOLDER | 1 | |
| 021 | 16524-ZJ1-000 | PLATE, GOVERNOR BOTTOM | 1 | |
| 022 | 16529-ZJ1-000 | PLATE, GOVERNOR SLIDER | 1 | |
| 023 | 16531-ZJ1-003 | SLIDER, GOVERNOR | 1 | |
| 024 | 90012-415-000 | SCREW, TAPPET ADJUSTING | 4 | |
| 025 | 90206-250-000 | NUT, TAPPET ADJUSTING | 4 | |
| 026 | 90446-357-000 | WASHER, THRUST, 17.2MM | 1 | |
| 027 | 90901-ZJ1-003 | BALL, STEEL, 18 | 6 | |
| 028 | 94510-17000 | CIRCLIP, EXTERNAL, 17MM | 1 | |
| 030 | 12209-ZE8-003 | SEAL, VALVE STEM | 2 | |
| 030 | 12209-ZE8-003 | SEAL, VALVE STEM | 2 | 1081534 |

GX620(VZE5)

EOP-1 GASKET KIT



HENG-X0003

| <u>Ref</u> | <u>Partnumber</u> | <u>Description</u> | <u>GX620</u> | <u>Serial Numbers</u> |
|------------|-------------------|--------------------|--------------|-----------------------|
| 001 | 061A1-ZJ1-000 | GASKET KIT (###) | 1 | |