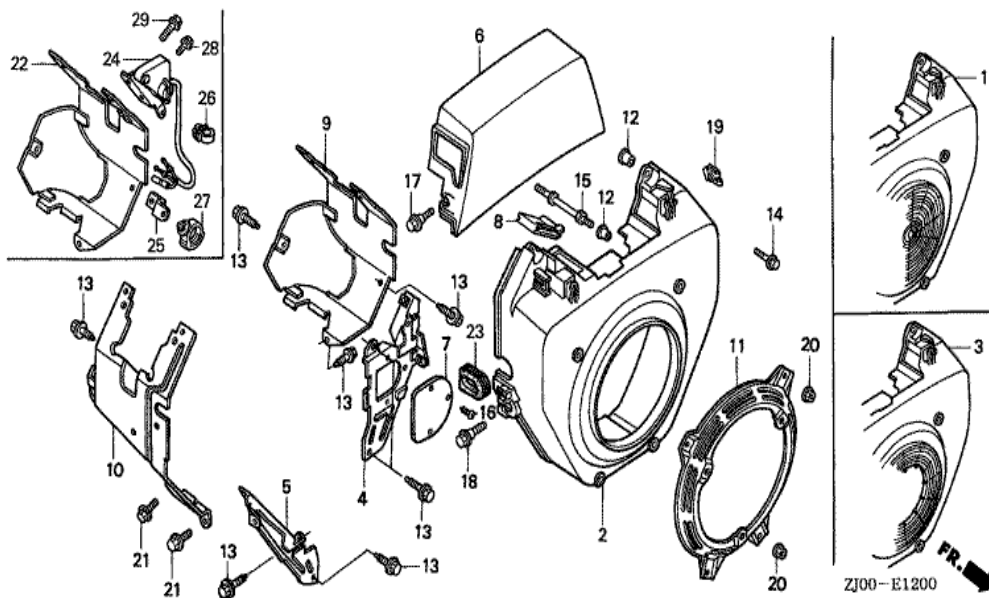


GX610(QAFU)

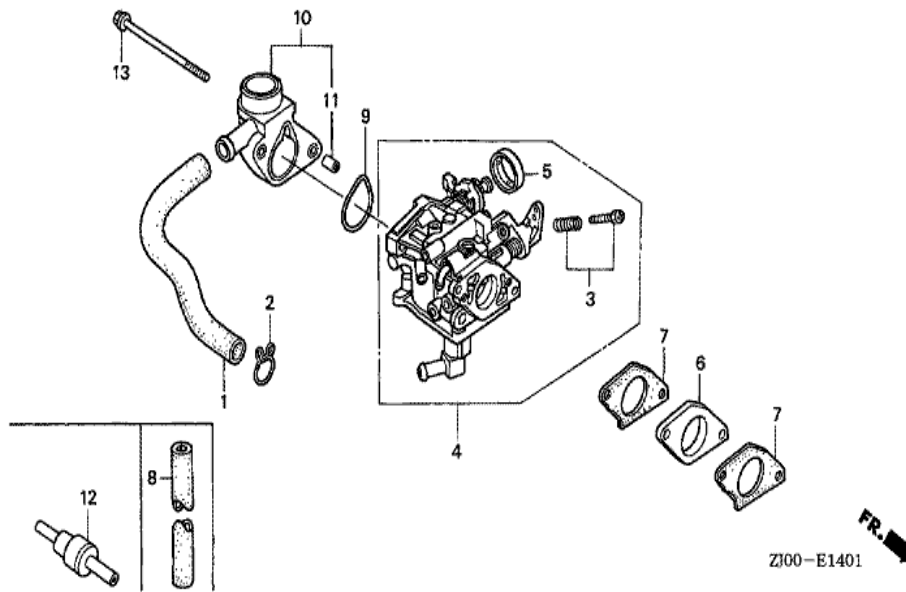
E-12 FAN COVER (1)



<u>Ref</u>	<u>Partnumber</u>	<u>Description</u>	<u>GX610</u>	<u>Serial Numbers</u>
003	19611-ZJ1-830ZA	COVER, FAN (P.T.O.) *NH1 *	1	
003	19611-ZJ1-830ZA	COVER, FAN (P.T.O.) *NH1 *	1	
004	19612-ZJ1-000	PLATE, SIDE	1	
005	19614-ZJ1-000	PLATE, SIDE	1	
006	19615-ZJ1-820	HOOD, FAN COVER	1	
006	19615-ZJ1-820	HOOD, FAN COVER	1	
008	19618-ZJ0-U70	PLUG, FAN COVER HOLE	1	
009	19631-ZJ1-000	SHROUD	1	
010	19632-ZJ1-000	SHROUD	1	
012	33713-GC2-000	COLLAR B, TAILLIGHT	6	
013	90013-883-000	BOLT, FLANGE, 6X12 (CT200)	8	
014	90018-ZE1-000	BOLT, FLANGE, 6X23 (CT200)	2	
015	90042-ZJ1-000	BOLT, STUD, 6X73	4	
<u>Ref</u>	<u>Partnumber</u>	<u>Description</u>	<u>GX610</u>	<u>Serial Numbers</u>
017	90104-GF6-000	BOLT, FLANGE, 6X20	2	
018	90113-GE4-000	BOLT, FLANGE, 6MM (BLACK)	2	
019	90320-MM5-000	NUT, SPRING, 6MM	2	
020	94050-06000	NUT, FLANGE, 6MM	4	
021	95701-0600800	BOLT, FLANGE, 6X8	2	

GX610(QAFU)

E-14-1 CARBURETOR (2)

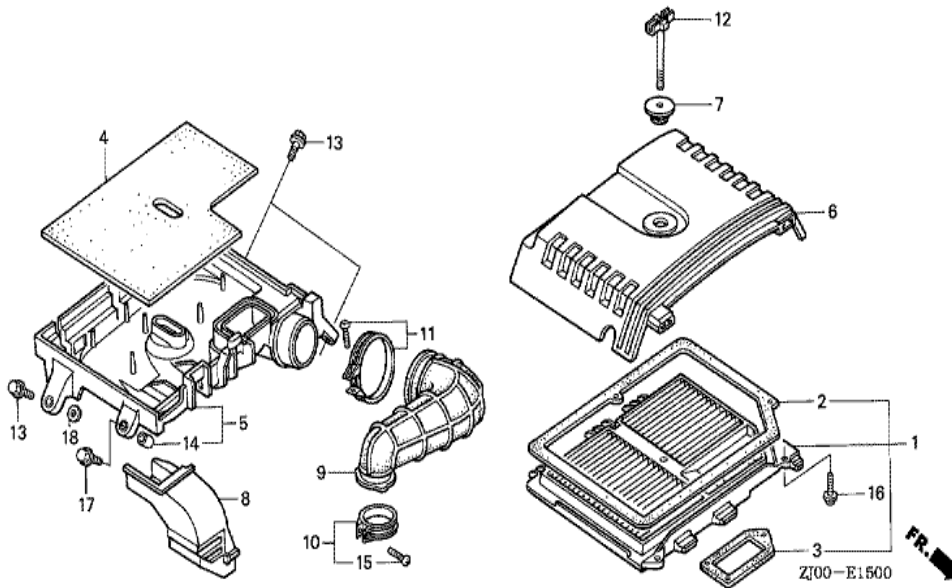


Z100-E1401

Ref	Partnumber	Description	GX610	Serial Numbers
001	12357-ZJ1-000	TUBE, BREATHER	1	
002	15772-551-000	CLIP, BREATHER TUBE	1	
003	16028-ZG8-000	SCREW SET	1	
004	16100-ZJ0-801	CARBURETOR ASSY. (BGLOA A)	1	
005	16148-141-881	CAP, CHOKE DUST	1	
006	16211-ZJ1-000	INSULATOR, CARBURETOR	1	
007	16221-ZG8-000	PACKING, CARBURETOR	2	
008	16854-ZJ1-800	RUBBER, SUPPORTER	1	
009	17228-ZG8-003	PACKING, AIR CLEANER	1	
010	17410-ZJ1-820	ELBOW COMP., AIR CLEANER	1	
011	19024-ZA0-000	COLLAR, DISTANCE	2	
012	36135-PH3-004	VALVE, DASHPOT CHECK	(1)	
013	95801-0610508	BOLT, FLANGE, 6X105	2	

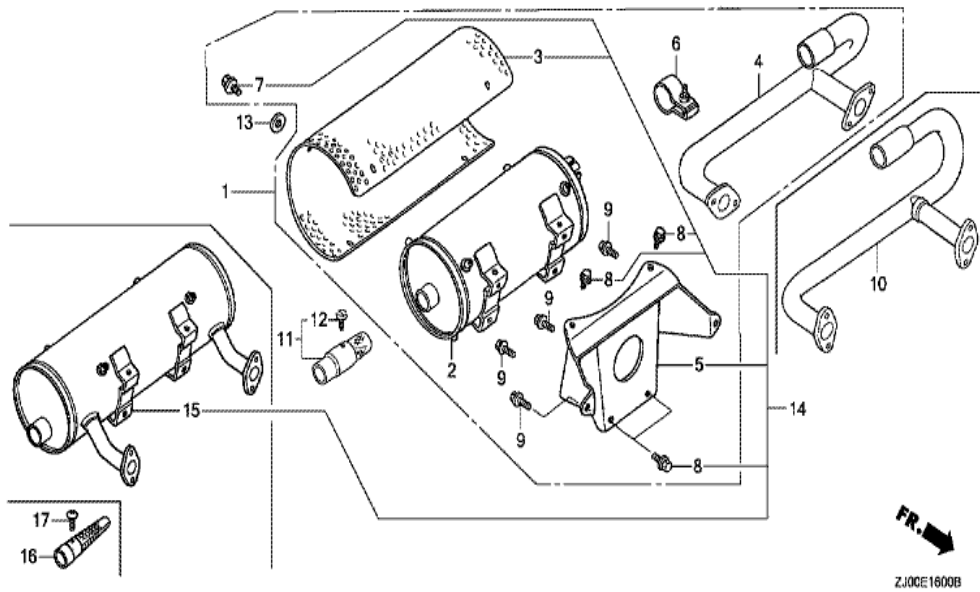
GX610(QAFU)

E-15 AIR CLEANER (1)



<u>Ref</u>	<u>Partnumber</u>	<u>Description</u>	<u>GX610</u>	<u>Serial Numbers</u>
001	17010-ZJ1-820	ELEMENT SET, AIR CLEANER	1	
001	17010-ZJ1-820	ELEMENT SET, AIR CLEANER	1	
002	17216-ZJ1-000	PACKING A, ELEMENT	1	
003	17217-ZJ1-000	PACKING B, ELEMENT	1	
004	17218-ZJ1-000	FILTER, OUTER	1	
005	17220-ZJ1-820	CASE COMP., AIR CLEANER	1	
005	17220-ZJ1-820	CASE COMP., AIR CLEANER	1	
006	17231-ZJ1-820	COVER, AIR CLEANER	1	
006	17231-ZJ1-820	COVER, AIR CLEANER	1	
007	17232-ZJ1-000	GROMMET, AIR CLEANER	1	
009	17251-ZJ1-000	TUBE, AIR CLEANER CONNECTING	1	
010	17255-758-000	BAND, AIR CLEANER CONNECTING TUBE	1	
011	95018-50250	BAND, AIR CLEANER CONNECTING TUBE (50)	1	1017229
<u>Ref</u>	<u>Partnumber</u>	<u>Description</u>	<u>GX610</u>	<u>Serial Numbers</u>
011	95018-50250	BAND, AIR CLEANER CONNECTING TUBE (50)	1	
012	90017-ZJ1-000	BOLT, AIR CLEANER	1	
013	90018-ZE1-000	BOLT, FLANGE, 6X23 (CT200)	3	
014	90120-102-000	COLLAR, AIR CLEANER CASE	4	
015	93500-040200A	SCREW, PAN, 4X20	1	
016	93891-0501608	SCREW-WASHER, 5X16	2	
017	95701-0601800	BOLT, FLANGE, 6X18	1	

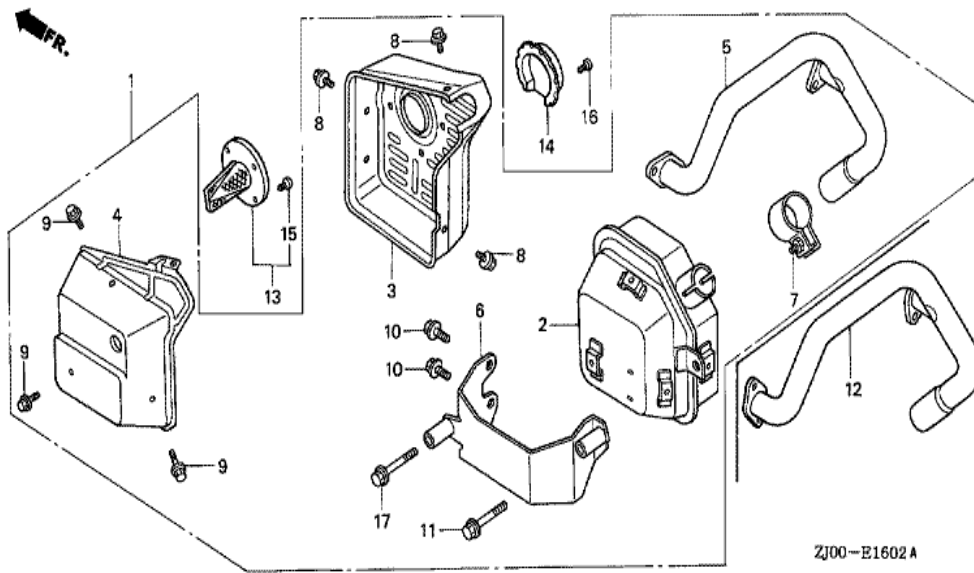
GX610(QAFU)	E-16 MUFFLER (1)
-------------	------------------



Ref	Partnumber	Description	GX610	Serial Numbers
011	18355-ZJ1-003	ARRESTER, SPARK	1	
011	18355-ZJ1-003	ARRESTER, SPARK	(1)	
011	18355-ZJ1-003	ARRESTER, SPARK	(1)	
011	18355-ZJ1-003	ARRESTER, SPARK	(1)	
011	18355-ZJ1-003	ARRESTER, SPARK	(1)	
012	90009-ZJ1-801	SCREW (NELSON)	(1)	

GX610(QAFU)

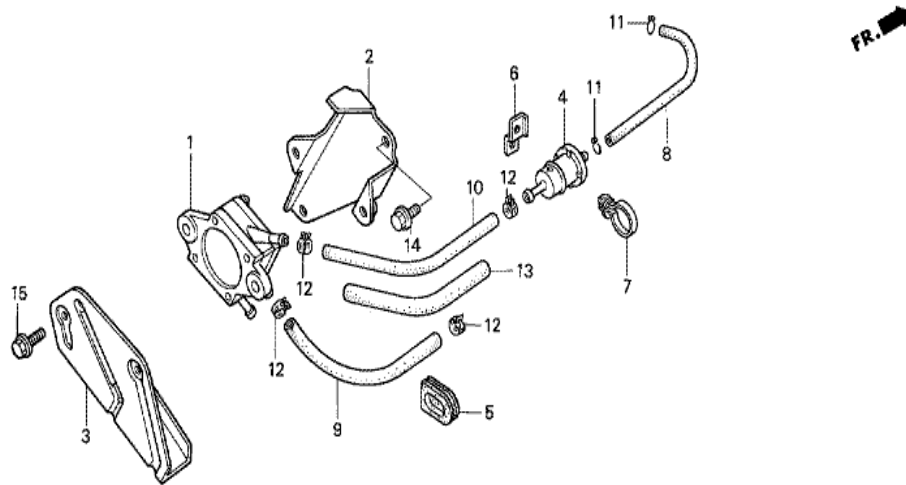
E-16-2 MUFFLER (3)



ZJ00-E1602A

Ref	Partnumber	Description	GX610	Serial Numbers
013	18355-ZJ1-801	ARRESTER, SPARK	(1)	
014	18431-ZJ1-801	DEFLECTOR, MUFFLER	(1)	
015	90009-ZJ1-801	SCREW (NELSON)	(4)	
016	93903-34110	SCREW, TAPPING, 4X8	(4)	

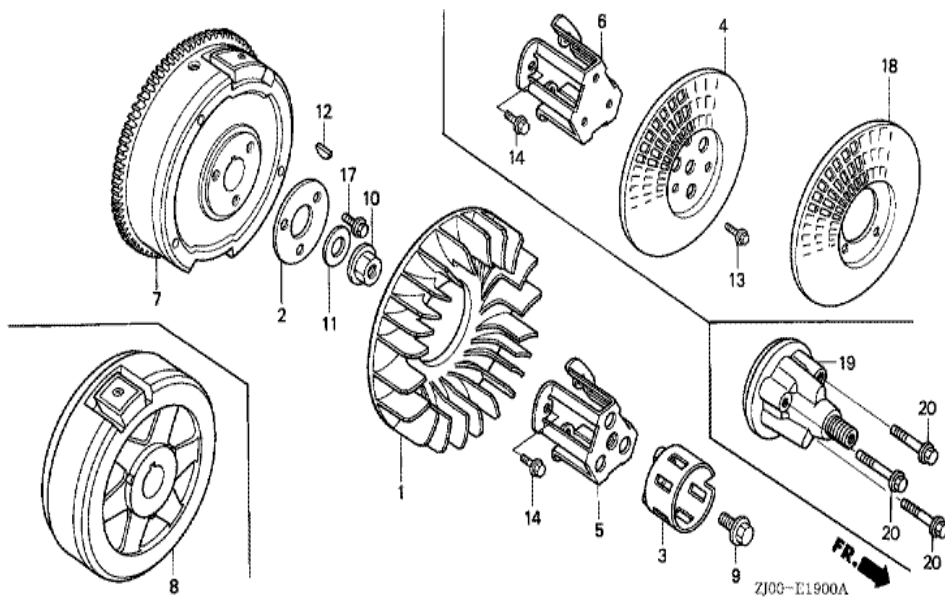
GX610(QAFU)	E-18 FUEL PUMP (1)
-------------	--------------------



ZJ00-E1800A

Ref	Partnumber	Description	GX610	Serial Numbers
005	19905-ZA8-701	GROMMET, CORD	1	

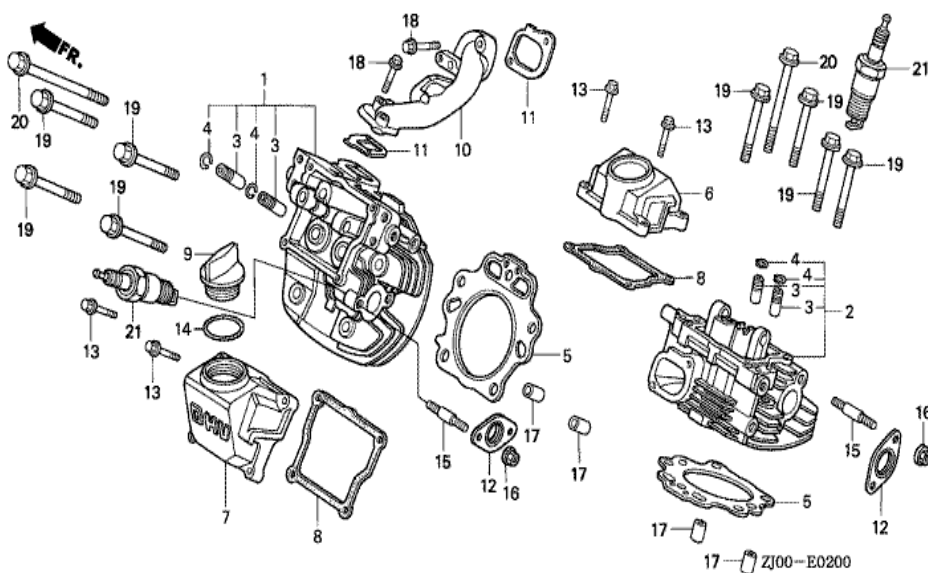
GX610(QAFU)	E-19 FLYWHEEL
-------------	---------------



Ref	Partnumber	Description	GX610	Serial Numbers
001	19511-ZJ1-000	FAN, COOLING	1	
002	19513-ZJ1-000	PLATE, COOLING FAN SETTING	1	
004	28452-ZJ1-811	GRID, SCREEN (P.T.O.)	1	
006	28454-ZJ1-801	HOLDER, SCREEN GRID	1	
006	28454-ZJ1-801	HOLDER, SCREEN GRID	(1)	
007	31110-ZJ1-800	FLYWHEEL COMP.	1	1000003
007	31110-ZJ1-801	FLYWHEEL COMP.	1	1014463
007	31110-ZJ1-801	FLYWHEEL COMP.	1	1000004
010	90201-ZG3-000	NUT, FLANGE, 20MM	1	
011	90401-ZG3-000	WASHER, 20MM	1	
012	90741-ZE2-000	KEY, SPECIAL WOODRUFF, 25X18	1	
014	95701-0801600	BOLT, FLANGE, 8X16	3	
018	28452-ZJ1-811	GRID, SCREEN (P.T.O.)	(1)	

GX610(QAFU)

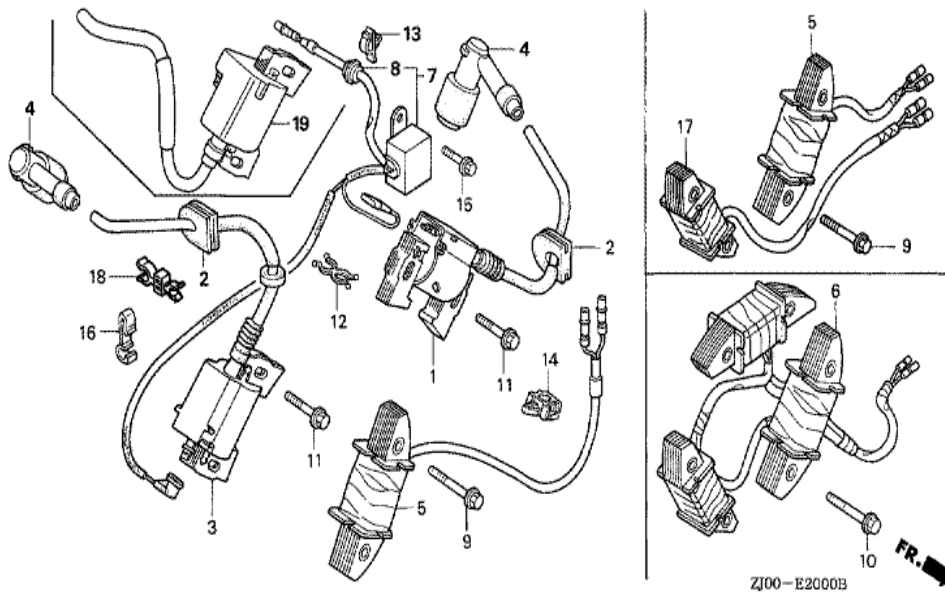
E-2 CYLINDER HEAD (1)



Ref	Partnumber	Description	GX610	Serial Numbers
001	12210-ZJ1-800	HEAD COMP., CYLINDER (#1)	1	
001	12210-ZJ1-800	HEAD COMP., CYLINDER (#1)	1	
002	12220-ZJ1-800	HEAD COMP., CYLINDER (#2)	1	
002	12220-ZJ1-800	HEAD COMP., CYLINDER (#2)	1	
003	12205-ZE2-305	GUIDE, EX. VALVE (OS)	(4)	
004	12216-ZE2-300	CLIP, VALVE GUIDE	4	
005	12251-ZJ1-003	GASKET, CYLINDER HEAD	2	
006	12311-ZJ1-000	COVER, HEAD	1	
007	12314-ZJ1-000	COVER, HEAD FILLER	1	
008	12391-ZJ1-000	PACKING, HEAD COVER	2	
009	15611-921-000	CAP, OIL (YELLOW)	1	
010	17101-ZJ1-000	MANIFOLD, INTAKE	1	
011	17151-ZJ1-003	GASKET, INTAKE MANIFOLD	2	
Ref	Partnumber	Description	GX610	Serial Numbers
012	18333-ZJ1-000	GASKET, EX. PIPE	2	
013	90121-ZJ1-000	BOLT, FLANGE, 6X25 (CT200)	8	
014	91301-805-000	O-RING, 26X2.7	1	
015	92900-080250B	BOLT, STUD, 8X25	4	
016	94050-08000	NUT, FLANGE, 8MM	4	
017	94301-12200	DOWEL PIN, 12X20	4	
018	95701-0603200	BOLT, FLANGE, 6X32	4	
019	95701-1007500	BOLT, FLANGE, 10X75	8	
020	95701-1013000	BOLT, FLANGE, 10X130	2	
021	98079-56846	PLUG, SPARK (BPR6ES) (NGK)	2	
021	98079-56846	PLUG, SPARK (BPR6ES) (NGK)	2	

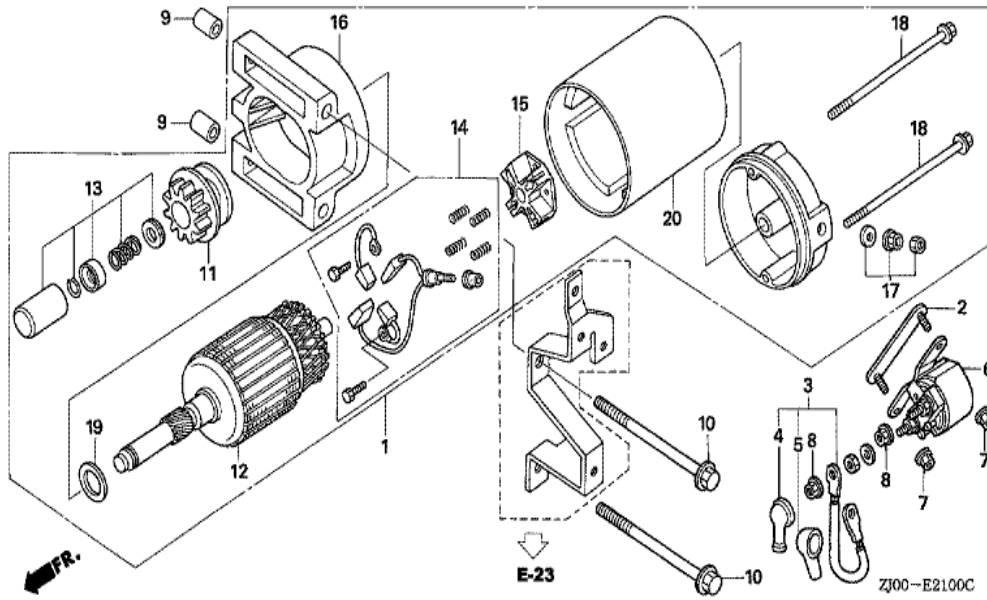
GX610(QAFU)

E-20 IGNITION COIL



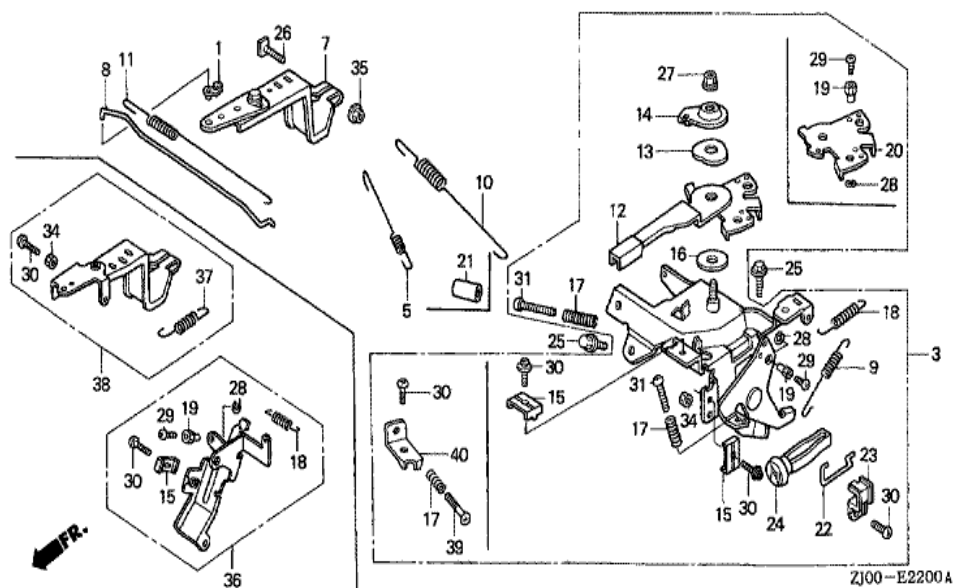
Ref	Partnumber	Description	GX610	Serial Numbers
001	30500-ZJ1-013	COIL ASSY., IGNITION	1	
002	30518-ZJ1-000	GROMMET, HIGH TENSION CORD	2	
003	30550-ZJ1-013	COIL ASSY., IGNITION	1	
004	30700-ZJ1-003	CAP ASSY., NOISE SUPPRESSOR	2	
006	31630-ZJ1-801	COIL ASSY., CHARGE (12V/20A)	1	
007	31740-ZJ1-003	DIODE ASSY., ENGINE STOP	1	
008	63312-ZA7-000	GROMMET, TOOL	1	
010	90031-ZE1-000	BOLT, FLANGE, 6X32	6	
011	90121-952-000	BOLT, FLANGE, 6X25 (CT200)	2	
011	90121-952-000	BOLT, FLANGE, 6X25 (CT200)	2	
015	95701-0600800	BOLT, FLANGE, 6X8	1	

GX610(QAFU)	E-21 STARTER MOTOR (1)
-------------	------------------------



Ref	Partnumber	Description	GX610	Serial Numbers
001	31200-ZJ1-004	MOTOR ASSY., STARTER	1	
009	94301-10120	DOWEL PIN, 10X12	2	
010	95701-0811000	BOLT, FLANGE, 8X110	2	
011	31213-ZJ1-004	GEAR SET, PINION	1	
012	31217-ZJ1-004	ARMATURE COMP. (###)	1	
013	31225-ZJ1-004	STOPPER SET, PINION	1	
014	31226-ZJ1-004	BRUSH SET	1	
015	31231-ZJ1-004	HOLDER COMP., BRUSH	1	
016	31235-ZJ1-004	BRACKET COMP., FR. (###)	1	
017	31237-ZJ1-004	NUT SET, TERMINAL	1	
018	31261-ZJ1-004	BOLT, THROUGH	2	
019	90407-ZJ1-004	WASHER, THRUST	1	
020	31216-ZJ1-004	YOKE COMP.	1	

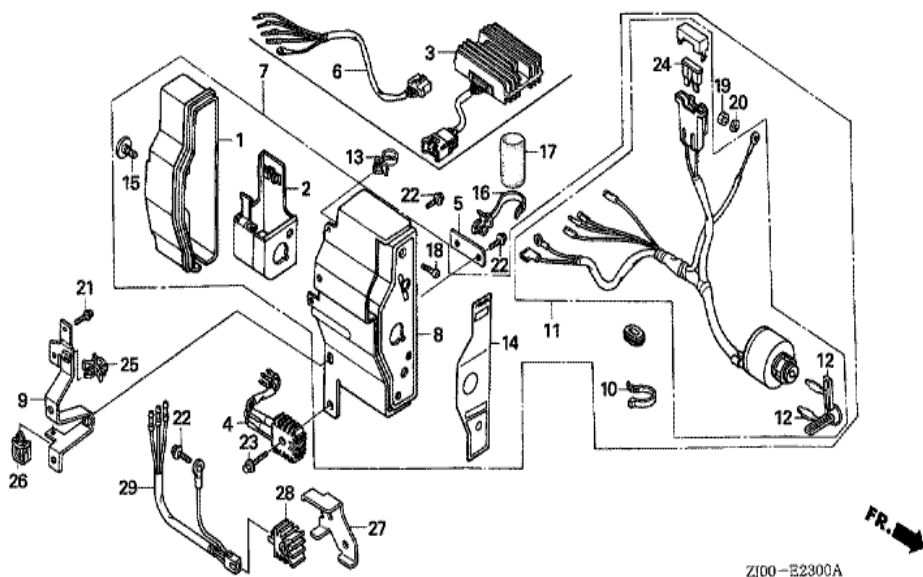
GX610(QAFU)	E-22 CONTROL (1)
-------------	------------------



<u>Ref</u>	<u>Partnumber</u>	<u>Description</u>	<u>GX610</u>	<u>Serial Numbers</u>
001	16263-ZE3-790	JOINT, ROD	1	
003	16500-ZJ1-800	CONTROL ASSY. (REMOTE)	(1)	
003	16500-ZJ1-800	CONTROL ASSY. (REMOTE)	1	
005	16534-ZJ1-000	SPRING, STARTER	1	
007	16550-ZJ1-000	ARM COMP., GOVERNOR	1	
008	16555-ZJ1-000	ROD, GOVERNOR	1	
010	16561-ZJ1-000	SPRING, GOVERNOR	1	
011	16562-ZJ1-000	SPRING, THROTTLE RETURN	1	
013	16574-ZE1-000	SPRING, LEVER	1	
014	16575-ZH8-000	WASHER, CONTROL LEVER	1	
015	16576-891-000	HOLDER, CABLE	1	
015	16576-891-000	HOLDER, CABLE	2	
016	16578-ZE1-000	SPACER, CONTROL LEVER	1	
<u>Ref</u>	<u>Partnumber</u>	<u>Description</u>	<u>GX610</u>	<u>Serial Numbers</u>
017	16584-883-300	SPRING, CONTROL ADJUSTING	2	
018	16592-ZJ1-000	SPRING, CABLE RETURN	1	
019	16594-883-010	HOLDER, WIRE	2	
020	16596-ZJ1-000	LEVER, WIRE	1	
025	90013-883-000	BOLT, FLANGE, 6X12 (CT200)	2	
026	90015-ZE3-790	BOLT, GOVERNOR ARM	1	
027	90114-SA0-000	NUT, SELF-LOCK, 6MM	1	
028	90605-230-000	CIRCLIP, 5MM	2	
029	93500-040060H	SCREW, PAN, 4X6	2	
031	93500-050250H	SCREW, PAN, 5X25	1	
031	93500-050250H	SCREW, PAN, 5X25	2	
035	94050-06000	NUT, FLANGE, 6MM	1	

GX610(QAFU)

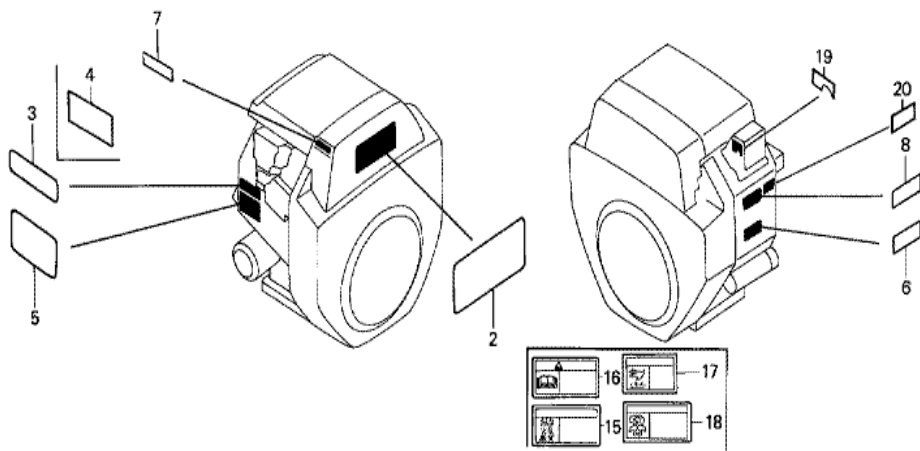
E-23 CONTROL BOX



ZJ00-E2300A

Ref	Partnumber	Description	GX610	Serial Numbers
003	31620-ZG5-003	RECTIFIER ASSY., REGULATOR(20A)	1	
006	32105-ZJ1-800	HARNESS ASSY., SUB WIRE	1	

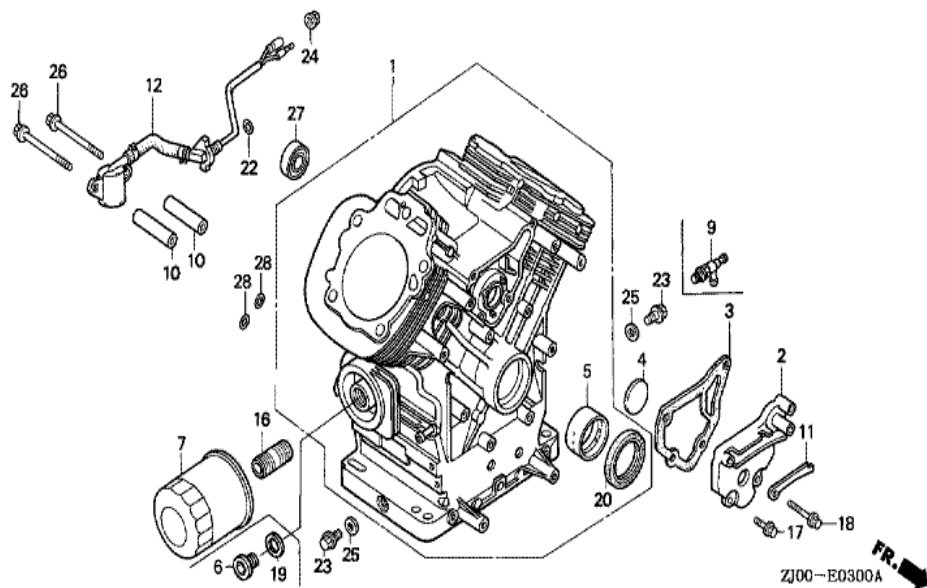
GX610(QAFU)	E-28 LABEL (1)
-------------	----------------



ZJ00-E2800

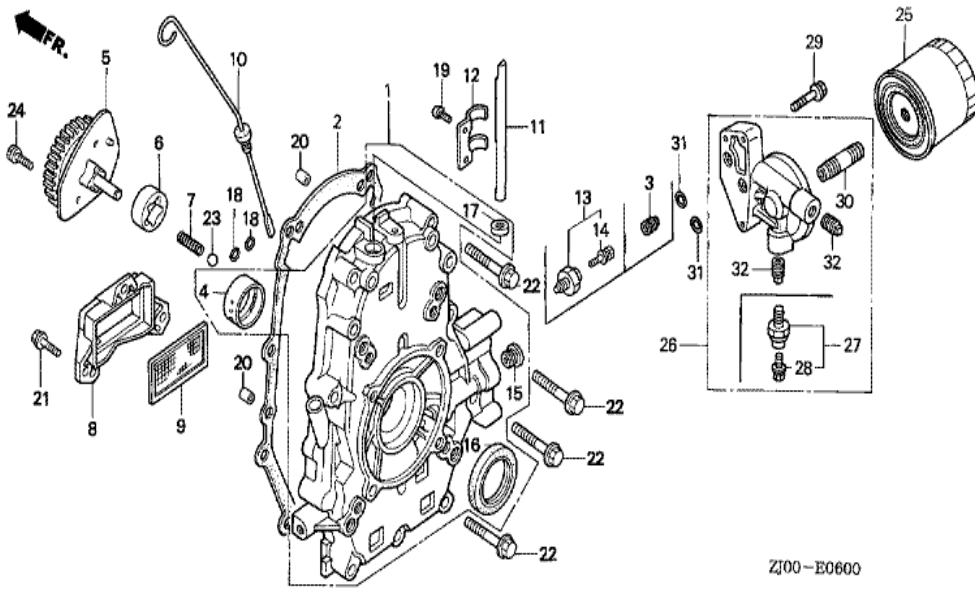
Ref	Partnumber	Description	GX610	Serial Numbers
002	87101-ZJ0-000	EMBLEM	1	
003	87152-ZJ0-000	LABEL, SPECIFICATION	1	
005	87522-ZJ1-000	LABEL, CAUTION	1	
006	87106-ZE9-V00	LABEL, FUEL CAUTION	1	

GX610(QAFU)	E-3 CYLINDER BARREL (1)
-------------	-------------------------



Ref	Partnumber	Description	GX610	Serial Numbers
001	12000-ZJ1-820	BARREL ASSY., CYLINDER (W/O-PUMP)	1	
001	12000-ZJ1-820	BARREL ASSY., CYLINDER (W/O-PUMP)	1	
002	12356-ZJ1-000	COVER, BREATHER	1	
003	12358-ZJ1-000	PACKING, BREATHER COVER	1	
004	12372-ZE2-300	VALVE, BREATHER	1	
005	13321-ZJ1-000	BEARING A, MAIN (BLUE)	1	
005	13322-ZJ1-000	BEARING B, MAIN (BLACK)	1	
005	13322-ZJ1-000	BEARING B, MAIN (BLACK)	1	
005	13323-ZJ1-000	BEARING C, MAIN (BROWN)	1	
005	13323-ZJ1-000	BEARING C, MAIN (BROWN)	1	
007	15400-ZJ1-004	CARTRIDGE, OIL FILTER (TOYO ROKI)	1	
007	15400-ZJ1-004	CARTRIDGE, OIL FILTER (TOYO ROKI)	1	
009	15558-ZJ1-003	VALVE, OIL SHUT-OFF	(1)	
Ref	Partnumber	Description	GX610	Serial Numbers
011	31511-ZJ1-000	CLAMPER, CORD	1	
016	90018-PN3-000	HOLDER, OIL FILTER	1	
017	90029-888-000	BOLT, FLANGE, 6X16 (CT200)	2	
018	90031-ZE1-000	BOLT, FLANGE, 6X32	2	
020	91201-ZJ1-003	OIL SEAL, 38X58X11	1	
023	92800-14000	BOLT, DRAIN PLUG, 14MM	2	
025	94109-14000	WASHER, DRAIN PLUG, 14MM	2	
027	96140-6003010	BEARING, RADIAL BALL, 6003	1	
028	91302-MB6-830	O-RING, 13X3.0	2	

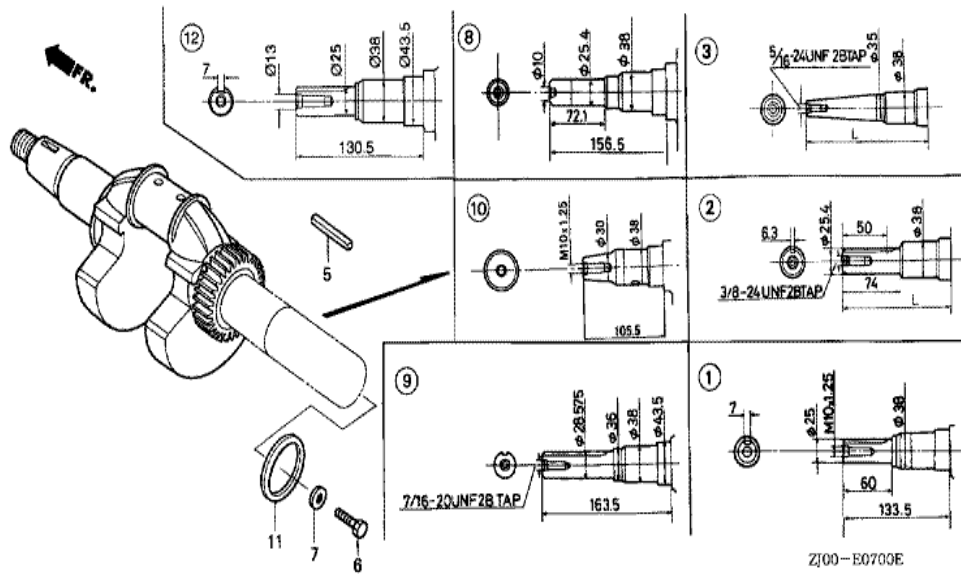
GX610(QAFU)	E-6 CRANKCASE COVER (1)
-------------	-------------------------



ZJ00-E0600

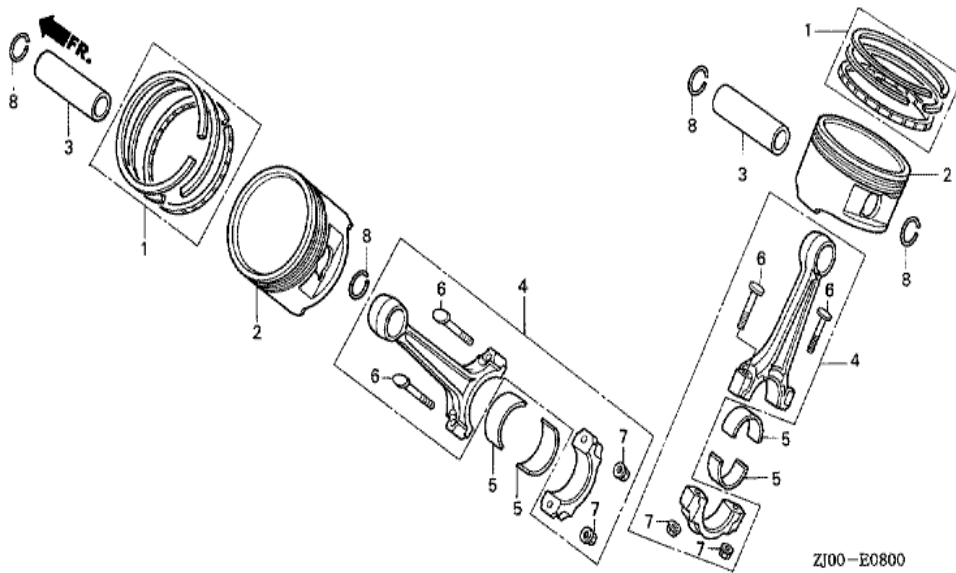
<u>Ref</u>	<u>Partnumber</u>	<u>Description</u>	<u>GX610</u>	<u>Serial Numbers</u>
001	11300-ZJ1-600	COVER ASSY., CRANKCASE	(1)	
001	11300-ZJ1-600	COVER ASSY., CRANKCASE	1	
002	11381-ZJ1-000	PACKING, CASE COVER	1	
004	13321-ZJ1-000	BEARING A, MAIN (BLUE)	1	
004	13322-ZJ1-000	BEARING B, MAIN (BLACK)	1	
004	13322-ZJ1-000	BEARING B, MAIN (BLACK)	1	
004	13323-ZJ1-000	BEARING C, MAIN (BROWN)	1	
004	13323-ZJ1-000	BEARING C, MAIN (BROWN)	1	
005	15120-ZJ1-000	COVER ASSY., OIL PUMP (TWO BOLTS)	1	
006	15124-ZJ1-003	ROTOR, OIL PUMP OUTER	1	
007	15232-ZJ1-000	SPRING, RELIEF VALVE	1	
008	15348-ZJ1-000	COVER, OIL FILTER	1	
009	15427-ZJ1-000	SCREEN, OIL FILTER	1	
<u>Ref</u>	<u>Partnumber</u>	<u>Description</u>	<u>GX610</u>	<u>Serial Numbers</u>
010	15655-ZJ1-000	GAUGE COMP., OIL LEVEL	1	
011	16541-ZJ1-000	SHAFT, GOVERNOR ARM	1	
012	16542-ZJ1-000	FORK, GOVERNOR	1	
013	37240-ZG3-E01	SWITCH, OIL PRESSURE	1	
014	90002-ZG5-004	SCREW-WASHER, 4X8	1	
015	90007-ZG8-300	BOLT, SEALING, 12MM	1	
016	91201-ZJ1-003	OIL SEAL, 38X58X11	1	
017	91206-333-003	OIL SEAL, 10X16X4.5	1	
019	93500-050100A	SCREW, PAN, 5X10	2	
020	94301-08140	DOWEL PIN, 8X14	2	
021	95701-0602000	BOLT, FLANGE, 6X20	3	1010961
021	95701-0602000	BOLT, FLANGE, 6X20	3	
022	95701-0805000	BOLT, FLANGE, 8X50	9	
023	96211-12000	BALL, STEEL, #12 (3/8)	1	
024	96600-0601600	BOLT, SOCKET, 6X16	2	

GX610(QAFU)	E-7 CRANKSHAFT (1)
-------------	--------------------



Ref	Partnumber	Description	GX610	Serial Numbers
002	13310-ZJ1-600	CRANKSHAFT COMP. (L=142.5)	1	

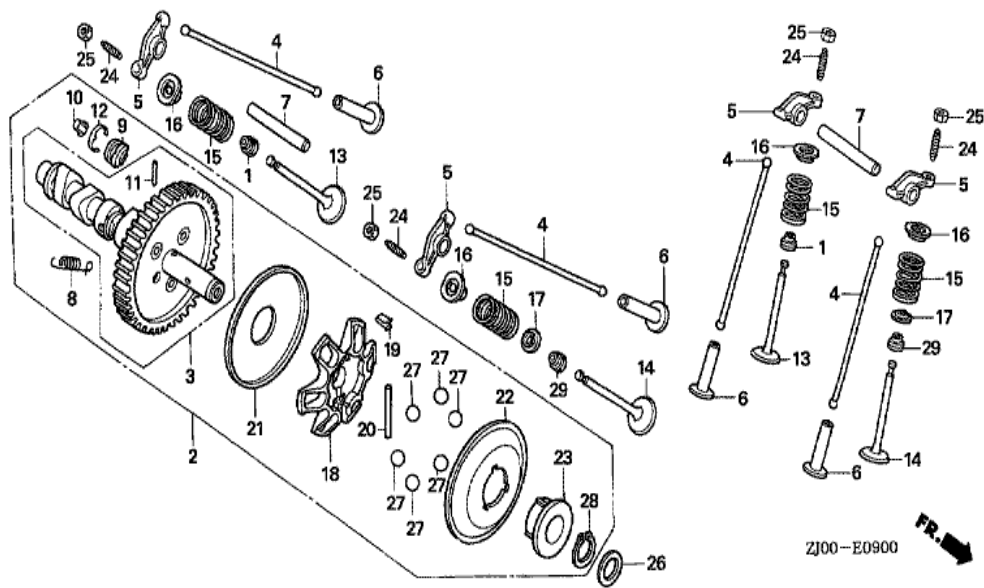
GX610(QAFU)	E-8 PISTON (1)
-------------	----------------



Ref	Partnumber	Description	GX610	Serial Numbers
001	13010-ZE8-601	RING SET, PISTON (STD.) (NIPPON)	2	
001	13010-ZE8-602	RING SET, PISTON (STD.) (TEIKOKU)	2	
001	13010-ZE8-602	RING SET, PISTON (STD.) (TEIKOKU)	2	
001	13011-ZE8-601	RING SET, PISTON (0.25) (NIPPON)	(2)	
001	13011-ZE8-601	RING SET, PISTON (0.25) (NIPPON)	(2)	
001	13011-ZE8-602	RING SET, PISTON (0.25) (TEIKOKU)	(2)	
001	13011-ZE8-602	RING SET, PISTON (0.25) (TEIKOKU)	(2)	
001	13012-ZE8-601	RING SET, PISTON (0.50) (NIPPON)	(2)	
001	13012-ZE8-601	RING SET, PISTON (0.50) (NIPPON)	(2)	
001	13012-ZE8-602	RING SET, PISTON (0.50) (TEIKOKU)	(2)	
001	13012-ZE8-602	RING SET, PISTON (0.50) (TEIKOKU)	(2)	
001	13013-ZE8-601	RING SET, PISTON (0.75) (NIPPON)	(2)	
001	13013-ZE8-601	RING SET, PISTON (0.75) (NIPPON)	(2)	

<u>Ref</u>	<u>Partnumber</u>	<u>Description</u>	<u>GX610</u>	<u>Serial Numbers</u>
001	13013-ZE8-602	RING SET, PISTON (0.75) (TEIKOKU)	(2)	
001	13013-ZE8-602	RING SET, PISTON (0.75) (TEIKOKU)	(2)	
002	13101-ZJ1-000	PISTON (STD.)	2	
002	13102-ZJ1-000	PISTON (0.25)	(2)	
002	13102-ZJ1-000	PISTON (0.25)	(2)	
002	13103-ZJ1-000	PISTON (0.50)	(2)	
002	13103-ZJ1-000	PISTON (0.50)	(2)	
002	13104-ZJ1-000	PISTON (0.75)	(2)	
002	13104-ZJ1-000	PISTON (0.75)	(2)	
003	13111-ZJ1-000	PIN, PISTON	2	
004	13210-ZJ1-000	ROD SET, CONNECTING	2	
005	13211-ZJ1-003	BEARING A, CONNECTING ROD (BLUE)	4	
005	13212-ZJ1-003	BEARING B, CONNECTING ROD (BLACK)	4	
005	13212-ZJ1-003	BEARING B, CONNECTING ROD (BLACK)	4	
005	13213-ZJ1-003	BEARING C, CONNECTING ROD (BROWN)	4	
005	13213-ZJ1-003	BEARING C, CONNECTING ROD (BROWN)	4	
005	13214-ZJ1-003	BEARING D, CONNECTING ROD (GREEN)	4	
005	13214-ZJ1-003	BEARING D, CONNECTING ROD (GREEN)	4	
005	13215-ZJ1-003	BEARING E, CONNECTING ROD (YELLOW)	4	
005	13215-ZJ1-003	BEARING E, CONNECTING ROD (YELLOW)	4	
005	13216-ZJ1-003	BEARING F, CONNECTING ROD (PINK)	4	
005	13216-ZJ1-003	BEARING F, CONNECTING ROD (PINK)	4	
005	13217-ZJ1-003	BEARING G, CONNECTING ROD (RED)	4	
005	13217-ZJ1-003	BEARING G, CONNECTING ROD (RED)	4	
006	13213-MLO-000	BOLT, CONNECTING ROD	4	
007	13215-KM3-000	NUT, CONNECTING ROD	4	
008	90551-ZE1-000	CLIP, PISTON PIN, 18MM	4	
008	90551-ZE1-000	CLIP, PISTON PIN, 18MM	4	1019583

GX610(QAFU)	E-9 CAMSHAFT (1)
-------------	------------------

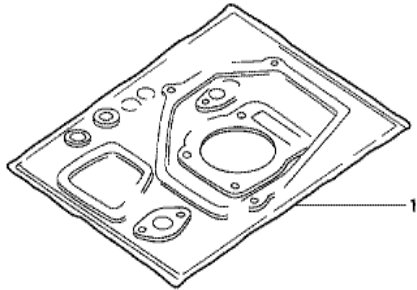


Ref	Partnumber	Description	GX610	Serial Numbers
001	12209-ZE8-003	SEAL, VALVE STEM	2	
002	14100-ZJ1-801	CAMSHAFT ASSY.	1	
003	14110-ZJ1-801	CAMSHAFT COMP.	1	
004	14410-ZJ1-000	ROD, PUSH	4	
005	14431-ZJ1-000	ARM, VALVE ROCKER	4	
006	14441-ZE2-000	LIFTER, VALVE	4	
007	14461-ZJ1-000	SHAFT, ROCKER ARM	2	
008	14568-ZJ1-800	SPRING, WEIGHT RETURN	1	
009	14569-ZJ1-801	HOLDER, DECOMPER PIN	2	
010	14576-ZJ1-801	PIN A, DECOMPER (7.85)	2	
010	14577-ZJ1-801	PIN B, DECOMPER (7.95)	2	
010	14577-ZJ1-801	PIN B, DECOMPER (7.95)	2	
010	14578-ZJ1-801	PIN C, DECOMPER (8.05)	2	

<u>Ref</u>	<u>Partnumber</u>	<u>Description</u>	<u>GX610</u>	<u>Serial Numbers</u>
010	14578-ZJ1-801	PIN C, DECOMPER (8.05)	2	
010	14579-ZJ1-801	PIN D, DECOMPER (8.15)	2	
010	14579-ZJ1-801	PIN D, DECOMPER (8.15)	2	
010	14580-ZJ1-801	PIN E, DECOMPER (8.25)	2	
010	14580-ZJ1-801	PIN E, DECOMPER (8.25)	2	
011	14581-ZJ1-801	ROD, DECOMPER	1	
012	14586-ZJ1-800	SPRING, DECOMPER PIN HOLDER	2	
013	14711-ZJ1-800	VALVE, IN.	2	
013	14711-ZJ1-800	VALVE, IN.	2	
014	14721-ZJ1-800	VALVE, EX. (STELLITE)	2	
014	14721-ZJ1-800	VALVE, EX. (STELLITE)	2	
015	14751-ZE2-003	SPRING, VALVE	4	
016	14771-ZE2-000	RETAINER, IN. VALVE SPRING	4	
017	14775-ZE2-010	SEAT, VALVE SPRING	2	
018	16512-ZJ1-000	HOLDER, GOVERNOR WEIGHT	1	
019	16522-ZJ1-000	PLATE, GOVERNOR WEIGHT HOLDER	1	
020	16523-ZJ1-000	PIN, GOVERNOR WEIGHT HOLDER	1	
021	16524-ZJ1-000	PLATE, GOVERNOR BOTTOM	1	
022	16529-ZJ1-000	PLATE, GOVERNOR SLIDER	1	
023	16531-ZJ1-003	SLIDER, GOVERNOR	1	
024	90012-415-000	SCREW, TAPPET ADJUSTING	4	
025	90206-250-000	NUT, TAPPET ADJUSTING	4	
026	90446-357-000	WASHER, THRUST, 17.2MM	1	
027	90901-ZJ1-003	BALL, STEEL, 18	6	
028	94510-17000	CIRCLIP, EXTERNAL, 17MM	1	

GX610(QAFU)

EOP-1 GASKET KIT



HENG-X0003

<u>Ref</u>	<u>Partnumber</u>	<u>Description</u>	<u>GX610</u>	<u>Serial Numbers</u>
001	061A1-ZJ1-000	GASKET KIT (###)	1	