

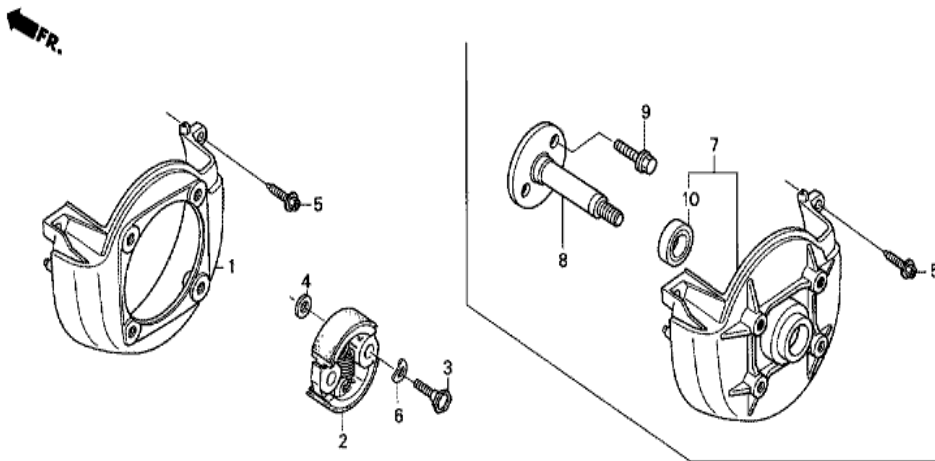
ZOHCE1000A



| Ref | Partnumber | Description | GX25 | Serial Numbers |
|-----|---------------|----------------------------|------|----------------|
| 001 | 12209-ZOH-003 | SEAL, VALVE STEM | 1 | |
| 002 | 14126-ZOH-003 | ROLLER, 4X29.8 | 1 | |
| 003 | 14320-ZOH-010 | PULLEY COMP., CAMSHAFT | 1 | 1073686 |
| 004 | 14400-ZOH-003 | BELT, TIMING (71ZU6 G-300) | 1 | |
| 005 | 14711-ZOH-000 | VALVE, IN. | 1 | |
| 006 | 14721-ZOH-000 | VALVE, EX. | 1 | |
| 007 | 14751-ZOH-000 | SPRING, VALVE | 2 | |
| 008 | 14771-ZOH-000 | RETAINER, VALVE SPRING | 2 | |

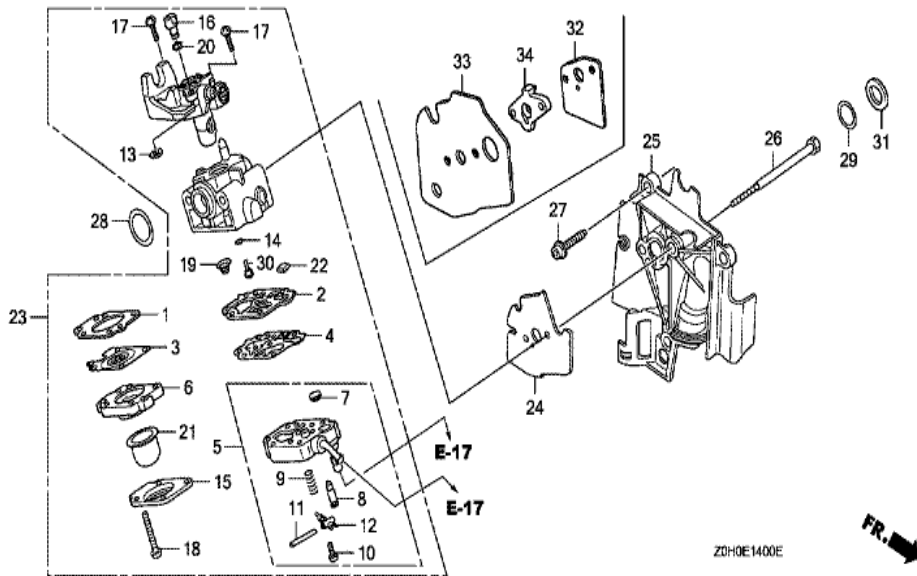


| Ref | Partnumber | Description | GX25 | Serial Numbers |
|-----|---------------|------------------------|------|----------------|
| 001 | 28400-ZOH-003 | STARTER ASSY., RECOIL | 1 | |
| 002 | 28414-ZOH-003 | CASE, RECOIL STARTER | 1 | |
| 003 | 28421-ZOH-003 | REEL, RECOIL STARTER | 1 | |
| 004 | 28433-ZM3-003 | GUIDE, ROPE | 1 | |
| 005 | 28442-ZOH-003 | SPRING, RECOIL STARTER | 1 | |
| 006 | 28451-ZOH-003 | PULLEY, RECOIL STARTER | 1 | |
| 007 | 28459-ZOH-003 | ARM, SWING | 1 | |
| 008 | 28461-ZM3-003 | KNOB, RECOIL STARTER | 1 | |
| 009 | 28462-ZM3-003 | ROPE, RECOIL STARTER | 1 | |
| 010 | 90012-ZM3-003 | SCREW, SETTING | 1 | |
| 011 | 90018-ZOH-003 | BOLT, SOCKET, 5X16 | 1 | |
| 012 | 91504-ZM3-003 | COLLAR | 1 | |
| 013 | 91506-ZM3-000 | COLLAR A, HEAD COVER | 3 | |



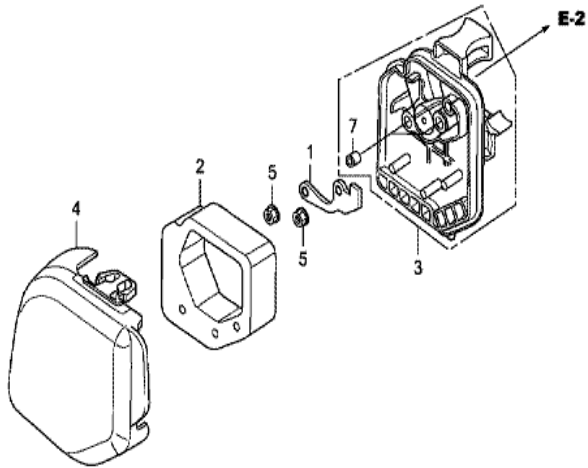
ZOH0-E12008

| Ref | Partnumber | Description | GX25 | Serial Numbers |
|-----|---------------|-----------------------|------|----------------|
| 001 | 19611-ZOH-000 | COVER, FAN | 1 | |
| 002 | 22000-ZM3-003 | CLUTCH ASSY. | 1 | |
| 003 | 22253-ZOH-003 | BOLT, CLUTCH (6MM) | 2 | |
| 004 | 22254-ZM3-003 | WASHER, CLUTCH (6X15) | 2 | |
| 005 | 90009-ZOH-003 | BOLT, SOCKET, 5X20 | 3 | |
| 006 | 22254-ZOH-003 | WASHER, WAVE (8MM) | 2 | |



| Ref | Partnumber | Description | GX25 | Serial Numbers |
|-----|---------------|----------------------------|------|----------------|
| 001 | 16010-ZM3-004 | GASKET, METERING DIAPHRAGM | 1 | |
| 002 | 16011-Z0H-003 | GASKET, PUMP | 1 | |
| 002 | 16011-Z0H-013 | GASKET, PUMP | 1 | |
| 003 | 16013-Z0H-003 | DIAPHRAGM ASSY., METERING | 1 | |
| 004 | 16014-ZM3-004 | DIAPHRAGM, PUMP | 1 | |
| 005 | 16015-Z0H-003 | BODY ASSY., PUMP | 1 | |
| 005 | 16015-Z0H-013 | BODY ASSY., PUMP | 1 | WYB 6D |
| 006 | 16017-ZM3-004 | BODY ASSY., AIR PURGE | 1 | |
| 007 | 16018-ZM3-802 | SCREEN, INLET | 1 | |
| 008 | 16019-ZM3-004 | VALVE, INLET NEEDLE | 1 | |
| 009 | 16020-ZM3-004 | SPRING, METERING LEVER | 1 | |
| 010 | 16021-ZM3-004 | SCREW, METERING LEVER PIN | 1 | |
| 011 | 16022-ZM3-014 | PIN, METERING LEVER | 1 | |

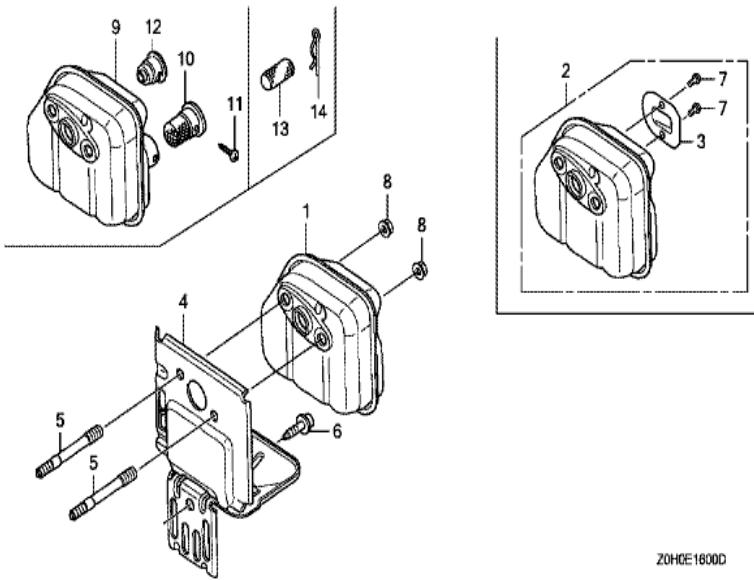
| <u>Ref</u> | <u>Partnumber</u> | <u>Description</u> | <u>GX25</u> | <u>Serial Numbers</u> |
|------------|-------------------|---------------------------|-------------|-----------------------|
| 012 | 16023-ZM3-004 | LEVER, METERING | 1 | |
| 013 | 16024-ZOH-003 | RING, RETAINING | 1 | |
| 014 | 16025-ZM3-004 | O-RING | 1 | |
| 015 | 16026-ZM3-004 | COVER, PRIMER PUMP | 1 | |
| 016 | 16027-ZM3-004 | SWIVEL | 1 | |
| 017 | 16028-ZM3-004 | SCREW, THROTTLE COLLAR | 2 | |
| 018 | 16029-ZM3-004 | SCREW, PUMP COVER | 4 | |
| 019 | 16030-ZM3-004 | SPRING, PUMP | 1 | |
| 020 | 16031-ZM3-004 | WASHER | 1 | |
| 021 | 16032-ZM3-004 | PUMP, PRIMER | 1 | |
| 022 | 16035-ZM3-802 | FILTER, FUEL INLET | 1 | |
| 023 | 16100-ZOH-812 | CARBURETOR ASSY. (WYB 8) | 1 | 1000491 |
| 023 | 16100-ZOH-813 | CARBURETOR ASSY. (WYB 8) | 1 | 1220678 1381296 |
| 023 | 16100-ZOH-814 | CARBURETOR ASSY. (WYB 8A) | 1 | 1381297 |
| 024 | 16221-ZOH-000 | PACKING, CARBURETOR | 1 | |
| 025 | 19631-ZOH-000 | SHROUD | 1 | |
| 026 | 90014-ZOH-003 | BOLT, 5X53 | 2 | |
| 027 | 90018-ZOH-003 | BOLT, SOCKET, 5X16 | 3 | |
| 028 | 91301-ZM3-000 | O-RING, 14.8X2.4 | 1 | |
| 029 | 91308-ZOH-003 | O-RING, 12.3X2.4 | 1 | |
| 030 | 99101-ZOH0320 | JET (#32) | (1) | |
| 030 | 99101-ZM50330 | JET (#33) | (1) | |
| 030 | 99101-ZM50340 | JET (#34) | (1) | |
| 031 | 90401-ZOH-000 | WASHER | 1 | 1208427 |



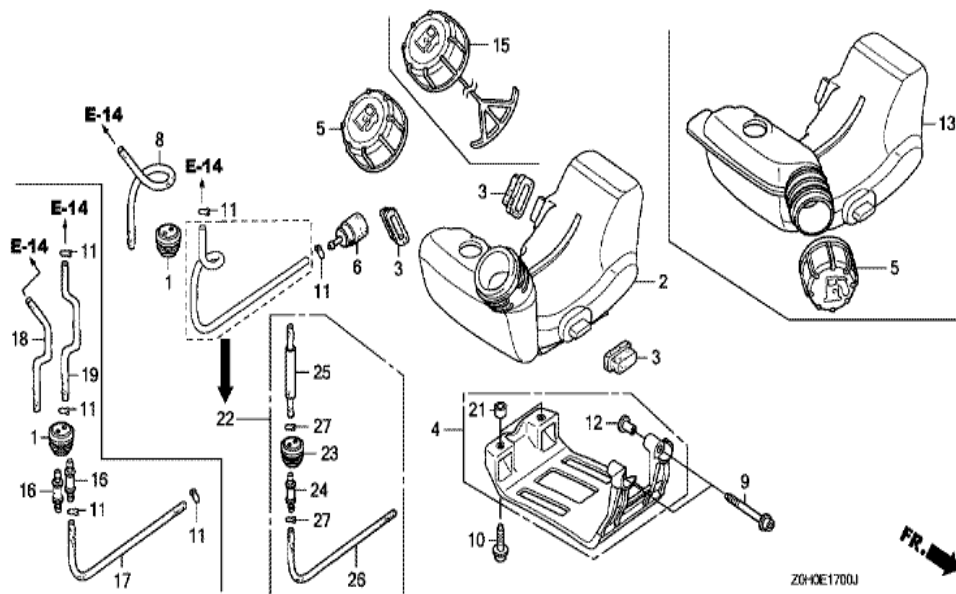
ZOHCE1500D



| <u>Ref</u> | <u>Partnumber</u> | <u>Description</u> | <u>GX25</u> | <u>Serial Numbers</u> |
|------------|-------------------|-------------------------|-------------|-----------------------|
| 001 | 17204-ZOH-000 | PLATE, OIL TRAP | 1 | |
| 002 | 17211-ZOH-000 | ELEMENT, AIR CLEANER | 1 | |
| 003 | 17220-ZOH-000 | CASE COMP., AIR CLEANER | 1 | |
| 004 | 17231-ZOH-000 | COVER, AIR CLEANER | 1 | |
| 005 | 94050-05000 | NUT, FLANGE, 5MM | 2 | |
| 007 | 91503-ZM3-000 | COLLAR, AIR CLEANER | 2 | |



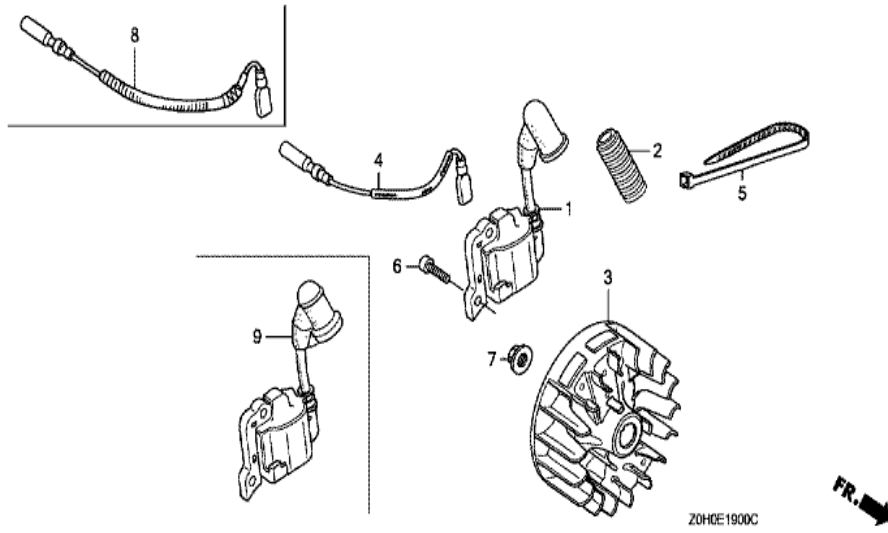
| Ref | Partnumber | Description | GX25 | Serial Numbers |
|-----|---------------|-------------------------|------|----------------|
| 001 | 18310-ZOH-000 | MUFFLER COMP. | 1 | |
| 004 | 18515-ZOH-000 | GUIDE, AIR EX. | 1 | |
| 005 | 90001-ZOH-003 | BOLT, STUD, 5X52 | 2 | |
| 006 | 90011-ZOH-003 | BOLT, SOCKET, 5X10 (CT) | 1 | |
| 008 | 90136-SM4-901 | NUT, SELF-LOCK, 5MM | 2 | |



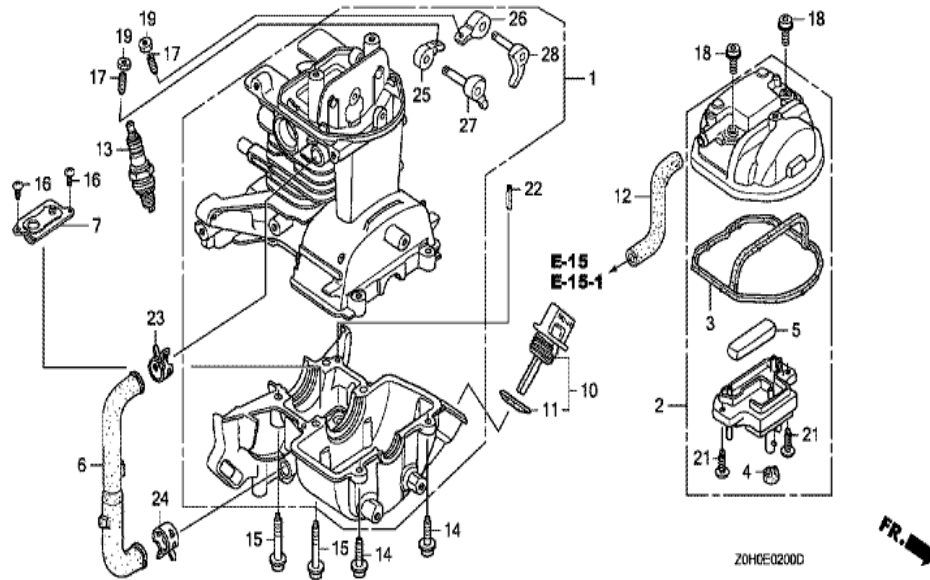
ZOH0E1700J

FR. →

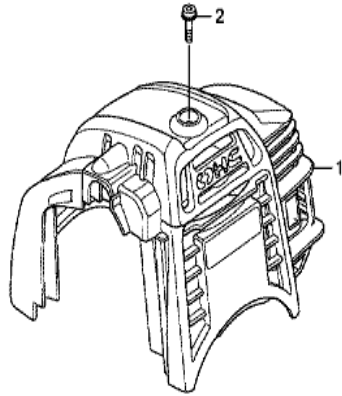
| Ref | Partnumber | Description | GX25 | Serial Numbers |
|------------|-------------------|--------------------------|-------------|-----------------------|
| 001 | 17504-ZM3-003 | GROMMET, FUEL TUBE | 1 | |
| 002 | 17511-ZOH-013 | TANK, FUEL | 1 | 1272524 |
| 002 | 17511-ZOH-023 | TANK, FUEL | 1 | 1272525 |
| 003 | 17533-ZOH-000 | RUBBER, TANK MOUNTING | 3 | |
| 005 | 17620-ZM3-053 | CAP ASSY., FUEL TANK | 1 | |
| 006 | 17672-ZOH-003 | FILTER, FUEL | 1 | 1272525 |
| 006 | 17672-ZM3-003 | FILTER, FUEL | 1 | 1272524 |
| 008 | 17702-ZOH-003 | TUBE, FUEL RETURN | 1 | |
| 011 | 91401-ZM3-003 | CLIP, TUBE | 2 | |
| 022 | 17700-ZOH-305 | GROMMET ASSY., FUEL TANK | 1 | 1258242 |
| 023 | 17504-ZM3-003 | GROMMET, FUEL TUBE | (1) | 1258242 |
| 024 | 17519-ZM5-003 | FITTING | (1) | |
| 025 | 17701-ZOH-800 | TUBE COMP., FUEL FEED | (1) | 1258242 |
| <u>Ref</u> | <u>Partnumber</u> | <u>Description</u> | <u>GX25</u> | <u>Serial Numbers</u> |
| 026 | 17703-ZOH-J71 | TUBE A, FUEL | (1) | 1258242 |
| 027 | 91401-ZM3-003 | CLIP, TUBE | (2) | 1258242 |



| Ref | Partnumber | Description | GX25 | Serial Numbers |
|-----|---------------|----------------------|------|----------------|
| 003 | 31110-Z0H-003 | FLYWHEEL COMP. | 1 | |
| 004 | 32195-Z0H-000 | CORD, STOP SWITCH | 1 | |
| 006 | 90012-Z0H-005 | BOLT, SOCKET, 4X14 | 2 | |
| 007 | 90355-427-770 | NUT, FLANGE, 7MM | 1 | |
| 009 | 30500-Z0H-013 | COIL ASSY., IGNITION | 1 | 1073686 |
| 009 | 30500-Z0H-023 | COIL ASSY., IGNITION | 1 | 1356416 |



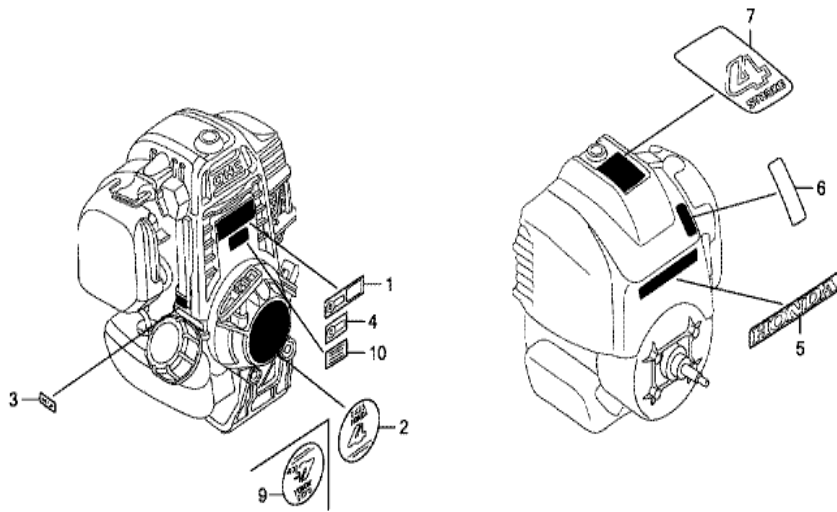
| <u>Ref</u> | <u>Partnumber</u> | <u>Description</u> | <u>GX25</u> | <u>Serial Numbers</u> |
|------------|-------------------|-------------------------------|-------------|-----------------------|
| 001 | 10100-Z0H-415 | CRANKCASE SET | 1 | 1208427 |
| 001 | 10100-Z0H-425 | CRANKCASE SET | 1 | 1208428 |
| 002 | 12310-Z0H-010 | COVER, CYLINDER HEAD | 1 | |
| 003 | 12312-Z0H-300 | SEAL, HEAD COVER | 1 | |
| 004 | 12314-Z0H-300 | GROMMET, HEAD COVER | 1 | |
| 005 | 12367-Z0H-000 | FILTER, BREATHER | 1 | |
| 006 | 15422-Z0H-000 | TUBE, OIL | 1 | |
| 007 | 15510-Z0H-000 | PLATE ASSY., OIL OUTLET VALVE | 1 | |
| 010 | 15600-ZF0-003 | CAP ASSY., OIL FILLER | 1 | |
| 011 | 15625-ZE1-003 | PACKING, OIL FILLER CAP | 1 | |
| 012 | 15721-Z0H-000 | TUBE, BREATHER | 1 | |
| 013 | 31914-Z0H-801 | PLUG, SPARK (CM4H) (NGK) | (1) | |
| 013 | 31915-Z0H-801 | PLUG, SPARK (CM5H) (NGK) | 1 | |
| <u>Ref</u> | <u>Partnumber</u> | <u>Description</u> | <u>GX25</u> | <u>Serial Numbers</u> |
| 013 | 31916-Z0H-801 | PLUG, SPARK (CM6H) (NGK) | (1) | |
| 014 | 90009-Z0H-003 | BOLT, SOCKET, 5X20 | 2 | |
| 015 | 90010-Z0H-003 | BOLT, SOCKET, 5X30 | 4 | |
| 016 | 90013-Z0H-004 | SCREW, PAN, 4X8 | 2 | |
| 017 | 90017-Z0H-000 | SCREW, TAPPET ADJUSTING | 2 | |
| 018 | 90019-Z0H-003 | BOLT, SOCKET, 5X12 | 2 | |
| 019 | 90206-ZM3-000 | NUT, TAPPET ADJUSTING | 2 | |
| 021 | 93901-34320 | SCREW, TAPPING, 4X12 | 2 | |
| 022 | 94305-40102 | PIN, SPRING, 4X10 | 1 | |
| 023 | 95002-4120008 | CLAMP, TUBE (D12) | 1 | |
| 024 | 95002-4130004 | CLAMP, TUBE (D13) | 1 | |
| 025 | 14431-Z0H-003 | ARM, IN. VALVE ROCKER | 1 | |
| 026 | 14441-Z0H-003 | ARM, EX. VALVE ROCKER | 1 | |
| 027 | 14730-Z0H-000 | LIFTER COMP., IN. VALVE | 1 | |
| 028 | 14740-Z0H-000 | LIFTER COMP., EX. VALVE | 1 | |



Z0HCE2700D

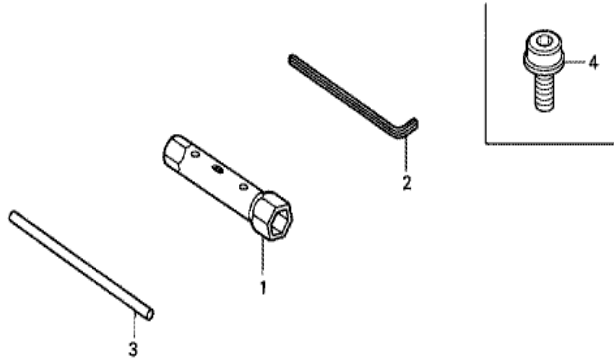


| Ref | Partnumber | Description | GX25 | Serial Numbers |
|-----|-----------------|--------------------------|------|----------------|
| 001 | 19720-Z0H-000ZB | COVER COMP., TOP *R280 * | 1 | |
| 002 | 90015-Z0H-003 | BOLT, TOP COVER | 1 | |



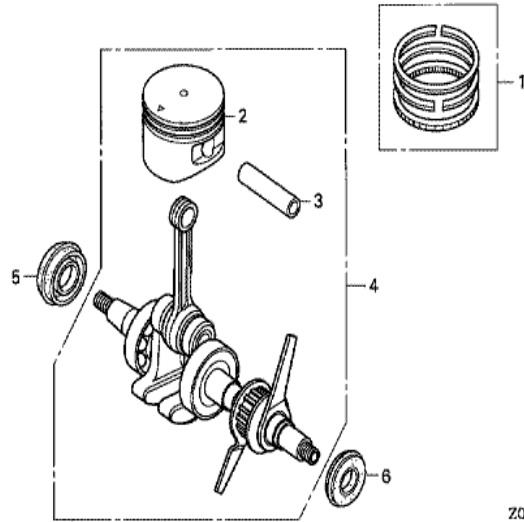
ZOH0E2800H

| Ref | Partnumber | Description | GX25 | Serial Numbers |
|-----|---------------|---|------|-----------------|
| 002 | 87521-ZOH-000 | MARK, EMBLEM | 1 | |
| 003 | 87601-ZOH-800 | MARK, TYPE (SJ) | 1 | |
| 004 | 87135-ZE2-020 | LABEL, E-SPEC (15.5X27.5) | 1 | |
| 005 | 87531-ZOH-000 | MARK, HONDA | 1 | |
| 007 | 87660-ZOH-000 | MARK (4-STROKE) | 1 | |
| 010 | 87114-ZH7-000 | LABEL, WARNING (NOT CERTIFIED FOR SALE) | 1 | 1289125 1399372 |
| 010 | 87114-ZH7-810 | LABEL, WARNING (NOT CERTIFIED FOR SALE) | 1 | 1470053 |



ZOH0-E2900 A

| Ref | Partnumber | Description | GX25 | Serial Numbers |
|-----|---------------|--------------------|------|----------------|
| 001 | 89216-045-010 | WRENCH, SPARK PLUG | (1) | |
| 002 | 89221-KW3-000 | WRENCH, HEX., 4MM | (1) | |
| 003 | 99005-01000 | BAR A, HANDLE | (1) | |
| 004 | 90011-ZOH-811 | BOLT, SOCKET, 5X9 | (1) | |



ZOH0-E0700



| Ref | Partnumber | Description | GX25 | Serial Numbers |
|-----|---------------|-------------------|------|----------------|
| 001 | 13010-ZOH-000 | RING SET, PISTON | 1 | |
| 002 | 13101-ZOH-000 | PISTON | 1 | |
| 003 | 13111-ZOH-000 | PIN, PISTON | 1 | |
| 004 | 13310-ZOH-010 | CRANKSHAFT COMP. | 1 | 1208427 |
| 004 | 13310-ZOH-020 | CRANKSHAFT COMP. | 1 | 1208428 |
| 005 | 91211-ZOH-003 | OIL SEAL, 12X24X5 | 1 | |
| 006 | 91212-ZOH-003 | OIL SEAL, 10X20X5 | 1 | |