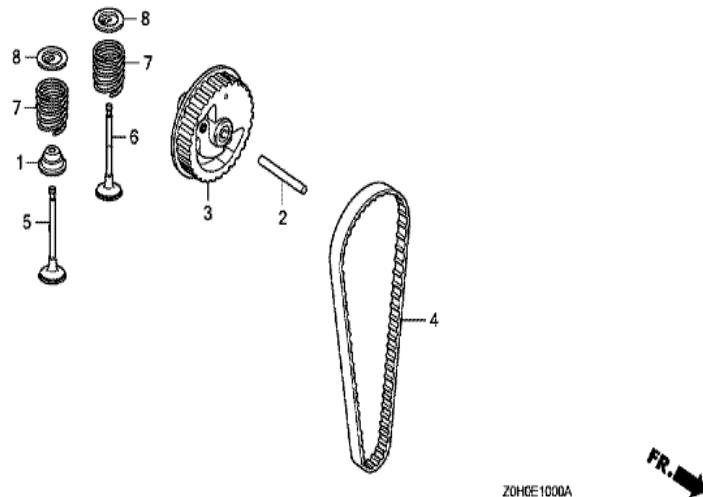


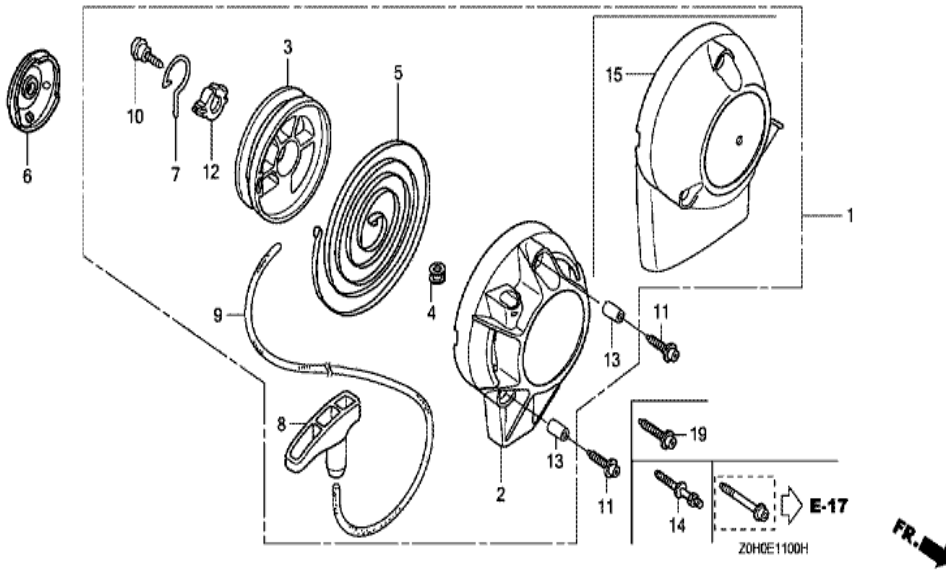
|           |                 |
|-----------|-----------------|
| GX25(SC2) | E-10 CAM PULLEY |
|-----------|-----------------|



| Ref | Partnumber    | Description                | GX25 | Serial Numbers |
|-----|---------------|----------------------------|------|----------------|
| 001 | 12209-Z0H-003 | SEAL, VALVE STEM           | 1    |                |
| 002 | 14126-Z0H-003 | ROLLER, 4X29.8             | 1    |                |
| 003 | 14320-Z0H-000 | PULLEY COMP., CAMSHAFT     | 1    | 1073685        |
| 003 | 14320-Z0H-010 | PULLEY COMP., CAMSHAFT     | 1    | 1073686        |
| 004 | 14400-Z0H-003 | BELT, TIMING (71ZU6 G-300) | 1    |                |
| 005 | 14711-Z0H-000 | VALVE, IN.                 | 1    |                |
| 006 | 14721-Z0H-000 | VALVE, EX.                 | 1    |                |
| 007 | 14751-Z0H-000 | SPRING, VALVE              | 2    |                |
| 008 | 14771-Z0H-000 | RETAINER, VALVE SPRING     | 2    |                |

GX25(SC2)

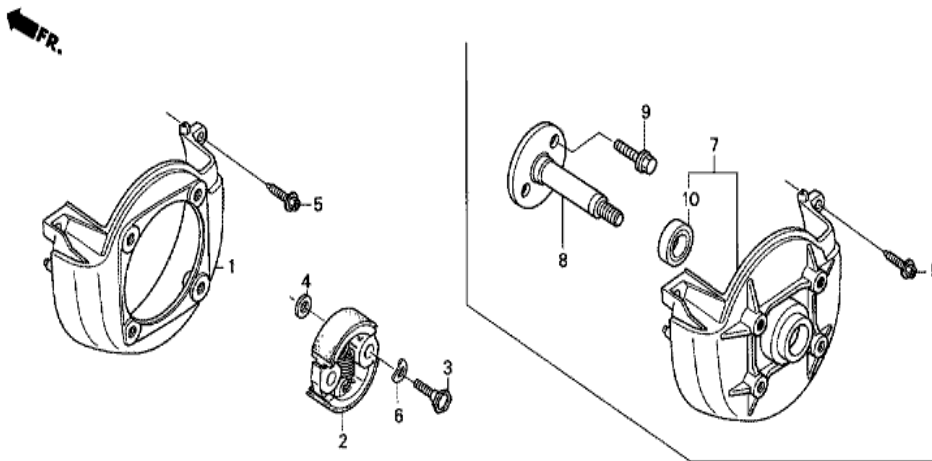
E-11 RECOIL STARTER



| Ref | Partnumber    | Description            | GX25 | Serial Numbers |
|-----|---------------|------------------------|------|----------------|
| 001 | 28400-ZOH-003 | STARTER ASSY., RECOIL  | 1    |                |
| 002 | 28414-ZOH-003 | CASE, RECOIL STARTER   | 1    |                |
| 003 | 28421-ZOH-003 | REEL, RECOIL STARTER   | 1    |                |
| 004 | 28433-ZM3-003 | GUIDE, ROPE            | 1    |                |
| 005 | 28442-ZOH-003 | SPRING, RECOIL STARTER | 1    |                |
| 006 | 28451-ZOH-003 | PULLEY, RECOIL STARTER | 1    |                |
| 007 | 28459-ZOH-003 | ARM, SWING             | 1    |                |
| 008 | 28461-ZM3-003 | KNOB, RECOIL STARTER   | 1    |                |
| 009 | 28462-ZM3-003 | ROPE, RECOIL STARTER   | 1    |                |
| 010 | 90012-ZM3-003 | SCREW, SETTING         | 1    |                |
| 011 | 90018-ZOH-003 | BOLT, SOCKET, 5X16     | 1    |                |
| 012 | 91504-ZM3-003 | COLLAR                 | 1    |                |
| 013 | 91506-ZM3-000 | COLLAR A, HEAD COVER   | 3    |                |

GX25(SC2)

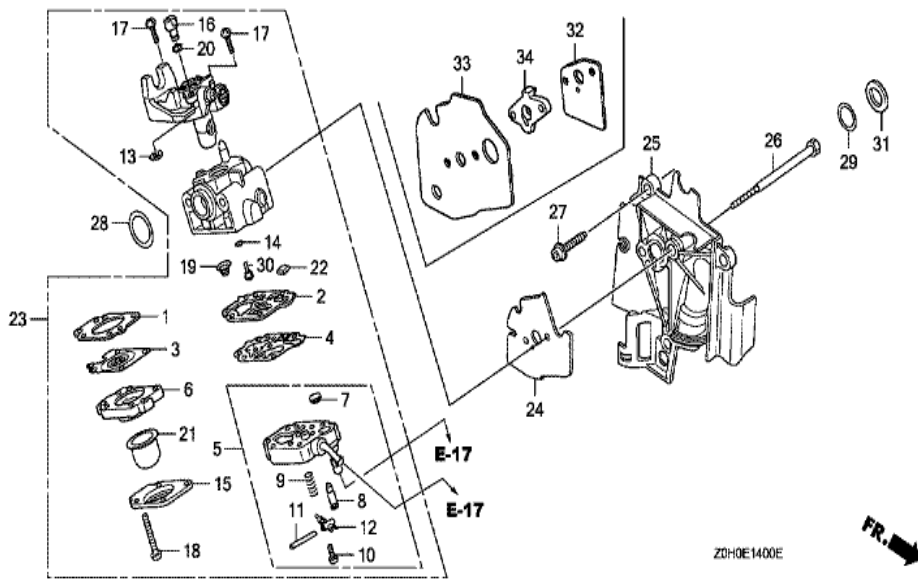
E-12 FAN COVER/CLUTCH



ZOH0-E12008

| Ref | Partnumber    | Description           | GX25 | Serial Numbers |
|-----|---------------|-----------------------|------|----------------|
| 001 | 19611-ZOH-000 | COVER, FAN            | 1    |                |
| 002 | 22000-ZOH-003 | CLUTCH ASSY.          | 1    | 1017820        |
| 002 | 22000-ZM3-003 | CLUTCH ASSY.          | 1    |                |
| 003 | 22253-ZOH-003 | BOLT, CLUTCH (6MM)    | 2    |                |
| 003 | 22253-ZM3-003 | BOLT, CLUTCH (6MM)    | 2    | 1017820        |
| 004 | 22254-ZM3-003 | WASHER, CLUTCH (6X15) | 2    |                |
| 005 | 90009-ZOH-003 | BOLT, SOCKET, 5X20    | 3    |                |
| 006 | 22254-ZOH-003 | WASHER, WAVE (8MM)    | 2    |                |

|           |                 |
|-----------|-----------------|
| GX25(SC2) | E-14 CARBURETOR |
|-----------|-----------------|

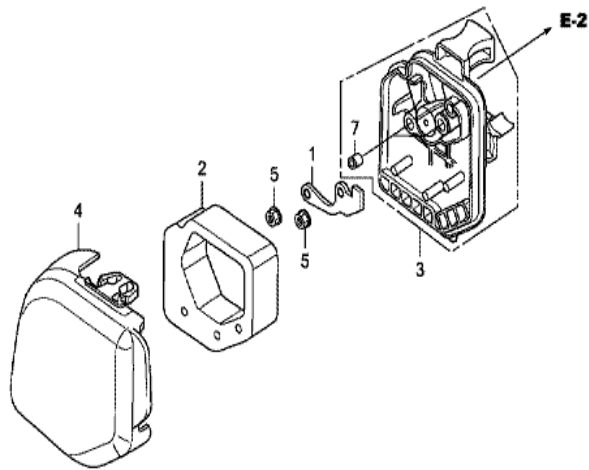


| Ref | Partnumber    | Description                | GX25 | Serial Numbers |
|-----|---------------|----------------------------|------|----------------|
| 001 | 16010-ZM3-004 | GASKET, METERING DIAPHRAGM | 1    |                |
| 002 | 16011-Z0H-003 | GASKET, PUMP               | 1    |                |
| 003 | 16013-Z0H-003 | DIAPHRAGM ASSY., METERING  | 1    |                |
| 004 | 16014-ZM3-004 | DIAPHRAGM, PUMP            | 1    |                |
| 005 | 16015-Z0H-003 | BODY ASSY., PUMP           | 1    |                |
| 006 | 16017-ZM3-004 | BODY ASSY., AIR PURGE      | 1    |                |
| 007 | 16018-ZM3-802 | SCREEN, INLET              | 1    |                |
| 008 | 16019-ZM3-004 | VALVE, INLET NEEDLE        | 1    |                |
| 009 | 16020-ZM3-004 | SPRING, METERING LEVER     | 1    |                |
| 010 | 16021-ZM3-004 | SCREW, METERING LEVER PIN  | 1    |                |
| 011 | 16022-ZM3-004 | PIN, METERING LEVER        | 1    |                |
| 012 | 16023-ZM3-004 | LEVER, METERING            | 1    |                |
| 013 | 16024-Z0H-003 | RING, RETAINING            | 1    |                |

| <u>Ref</u> | <u>Partnumber</u> | <u>Description</u>        | <u>GX25</u> | <u>Serial Numbers</u> |         |
|------------|-------------------|---------------------------|-------------|-----------------------|---------|
| 014        | 16025-ZM3-004     | O-RING                    | 1           |                       |         |
| 015        | 16026-ZM3-004     | COVER, PRIMER PUMP        | 1           |                       |         |
| 016        | 16027-ZM3-004     | SWIVEL                    | 1           |                       |         |
| 017        | 16028-ZM3-004     | SCREW, THROTTLE COLLAR    | 2           |                       |         |
| 018        | 16029-ZM3-004     | SCREW, PUMP COVER         | 4           |                       |         |
| 019        | 16030-ZM3-004     | SPRING, PUMP              | 1           |                       |         |
| 020        | 16031-ZM3-004     | WASHER                    | 1           |                       |         |
| 021        | 16032-ZM3-004     | PUMP, PRIMER              | 1           |                       |         |
| 022        | 16035-ZM3-802     | FILTER, FUEL INLET        | 1           |                       |         |
| 023        | 16100-Z0H-013     | CARBURETOR ASSY. (WYB 6B) | 1           | 1200243               | 1218054 |
| 024        | 16221-Z0H-000     | PACKING, CARBURETOR       | 1           |                       |         |
| 025        | 19631-Z0H-000     | SHROUD                    | 1           |                       |         |
| 026        | 90014-Z0H-003     | BOLT, 5X53                | 2           |                       |         |
| 027        | 90018-Z0H-003     | BOLT, SOCKET, 5X16        | 3           |                       |         |
| 028        | 91301-ZM3-000     | O-RING, 14.8X2.4          | 1           |                       |         |
| 029        | 91308-Z0H-003     | O-RING, 12.3X2.4          | 1           |                       |         |
| 030        | 99101-Z0H0320     | JET (#32)                 | (1)         |                       |         |
| 030        | 99101-ZM50330     | JET (#33)                 | (1)         |                       |         |
| 030        | 99101-ZM50340     | JET (#34)                 | (1)         |                       |         |
| 031        | 90401-Z0H-000     | WASHER                    | 1           |                       | 1208427 |

GX25(SC2)

E-15 AIR CLEANER (1)



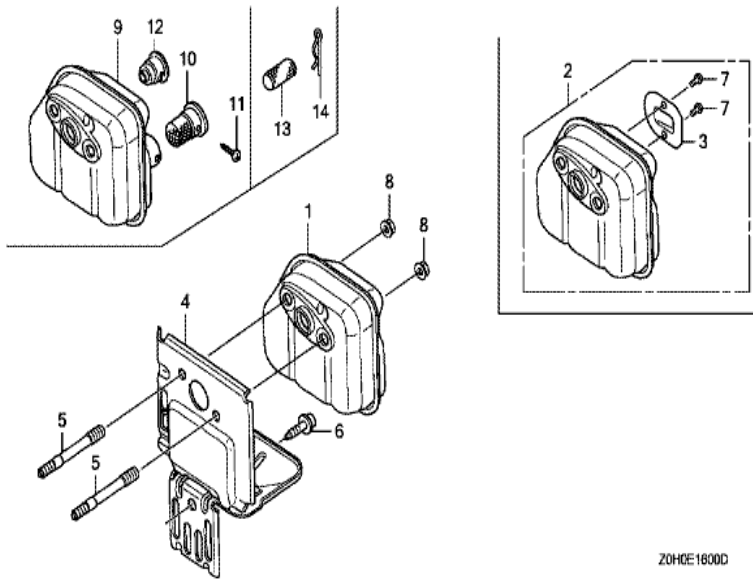
ZOHCE1500D

FR. →

| Ref | Partnumber    | Description             | GX25 | Serial Numbers |
|-----|---------------|-------------------------|------|----------------|
| 001 | 17204-ZOH-000 | PLATE, OIL TRAP         | 1    |                |
| 002 | 17211-ZOH-000 | ELEMENT, AIR CLEANER    | 1    |                |
| 003 | 17220-ZOH-000 | CASE COMP., AIR CLEANER | 1    |                |
| 004 | 17231-ZOH-000 | COVER, AIR CLEANER      | 1    |                |
| 005 | 94050-05000   | NUT, FLANGE, 5MM        | 2    |                |
| 007 | 91503-ZM3-000 | COLLAR, AIR CLEANER     | 2    |                |

GX25(SC2)

E-16 MUFFLER



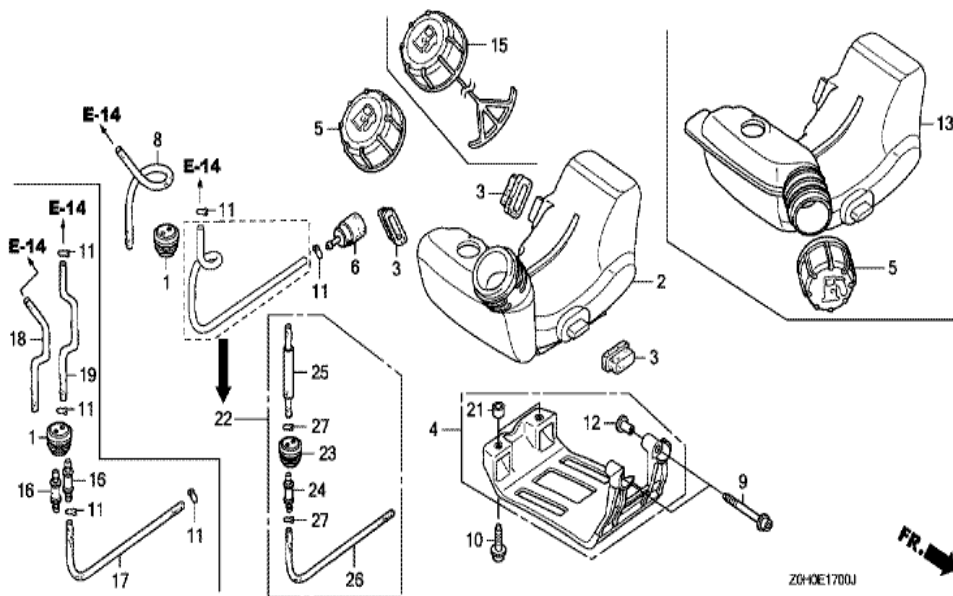
Z0HCE1600D

FR. →

| Ref | Partnumber    | Description             | GX25 | Serial Numbers |
|-----|---------------|-------------------------|------|----------------|
| 002 | 18310-ZOH-800 | MUFFLER COMP.           | (1)  |                |
| 003 | 18350-ZOH-800 | ARRESTER COMP., SPARK   | (1)  |                |
| 004 | 18515-ZOH-000 | GUIDE, AIR EX.          | 1    |                |
| 005 | 90001-ZOH-003 | BOLT, STUD, 5X52        | 2    |                |
| 006 | 90011-ZOH-003 | BOLT, SOCKET, 5X10 (CT) | 1    |                |
| 007 | 90055-ZE1-000 | SCREW, TAPPING, 4X6     | (2)  |                |
| 008 | 90136-SM4-901 | NUT, SELF-LOCK, 5MM     | 2    |                |

GX25(SC2)

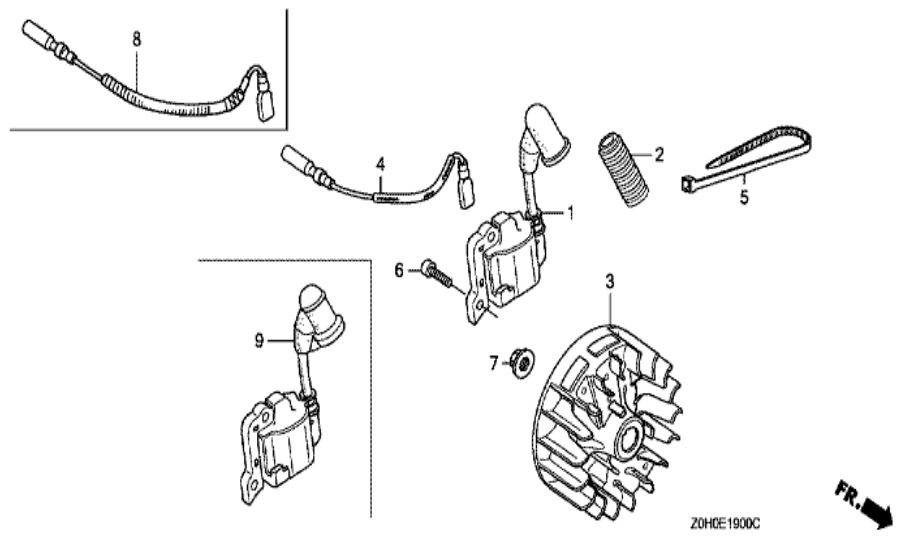
E-17 FUEL TANK



| Ref | Partnumber    | Description              | GX25 | Serial Numbers |
|-----|---------------|--------------------------|------|----------------|
| 001 | 17504-ZM3-003 | GROMMET, FUEL TUBE       | 1    |                |
| 002 | 17511-ZOH-003 | TANK, FUEL               | 1    |                |
| 003 | 17533-ZOH-000 | RUBBER, TANK MOUNTING    | 3    |                |
| 005 | 17620-ZM3-043 | CAP ASSY., FUEL TANK     | 1    |                |
| 006 | 17672-ZM3-003 | FILTER, FUEL             | 1    | 1272524        |
| 008 | 17702-ZOH-003 | TUBE, FUEL RETURN        | 1    |                |
| 011 | 91401-ZM3-003 | CLIP, TUBE               | 2    |                |
| 022 | 17700-ZOH-305 | GROMMET ASSY., FUEL TANK | 1    | 1258242        |
| 023 | 17504-ZM3-003 | GROMMET, FUEL TUBE       | (1)  | 1258242        |
| 024 | 17519-ZM5-003 | FITTING                  | (1)  |                |
| 025 | 17701-ZOH-800 | TUBE COMP., FUEL FEED    | (1)  | 1258242        |
| 026 | 17703-ZOH-J71 | TUBE A, FUEL             | (1)  | 1258242        |
| 027 | 91401-ZM3-003 | CLIP, TUBE               | (2)  | 1258242        |



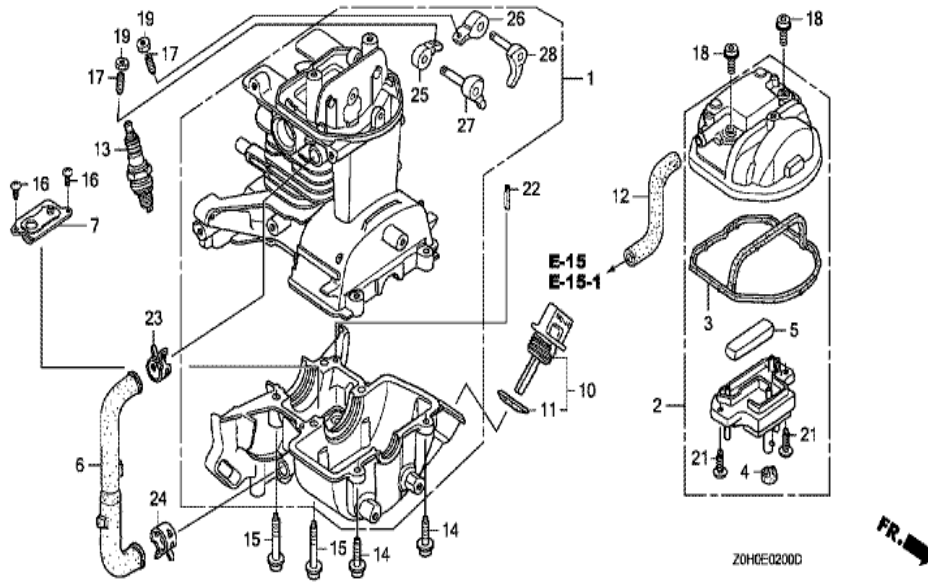
|           |               |
|-----------|---------------|
| GX25(SC2) | E-19 FLYWHEEL |
|-----------|---------------|



| Ref | Partnumber    | Description          | GX25 | Serial Numbers |
|-----|---------------|----------------------|------|----------------|
| 001 | 30500-ZOH-003 | COIL ASSY., IGNITION | 1    | 1073685        |
| 002 | 30519-ZOH-000 | TUBE, CORRUGATE      | 1    | 1073685        |
| 003 | 31110-ZOH-003 | FLYWHEEL COMP.       | 1    |                |
| 004 | 32195-ZOH-000 | CORD, STOP SWITCH    | 1    |                |
| 005 | 32901-ZOH-000 | TIE, CABLE           | 1    | 1073685        |
| 006 | 90012-ZOH-005 | BOLT, SOCKET, 4X14   | 2    |                |
| 007 | 90355-427-770 | NUT, FLANGE, 7MM     | 1    |                |
| 009 | 30500-ZOH-013 | COIL ASSY., IGNITION | 1    | 1073686        |

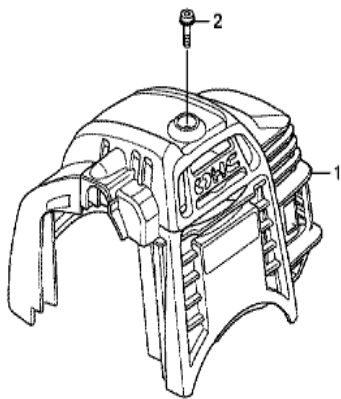
GX25(SC2)

E-2 CRANKCASE SET



| <u>Ref</u> | <u>Partnumber</u> | <u>Description</u>            | <u>GX25</u> | <u>Serial Numbers</u> |
|------------|-------------------|-------------------------------|-------------|-----------------------|
| 001        | 10100-Z0H-415     | CRANKCASE SET                 | 1           | 1208427               |
| 002        | 12310-Z0H-010     | COVER, CYLINDER HEAD          | 1           |                       |
| 003        | 12312-Z0H-300     | SEAL, HEAD COVER              | 1           |                       |
| 004        | 12314-Z0H-300     | GROMMET, HEAD COVER           | 1           |                       |
| 005        | 12367-Z0H-000     | FILTER, BREATHER              | 1           |                       |
| 006        | 15422-Z0H-000     | TUBE, OIL                     | 1           |                       |
| 007        | 15510-Z0H-000     | PLATE ASSY., OIL OUTLET VALVE | 1           |                       |
| 010        | 15600-ZF0-003     | CAP ASSY., OIL FILLER         | 1           |                       |
| 011        | 15625-ZE1-003     | PACKING, OIL FILLER CAP       | 1           |                       |
| 012        | 15721-Z0H-000     | TUBE, BREATHER                | 1           |                       |
| 013        | 31914-Z0H-003     | PLUG, SPARK (CMR4H) (NGK)     | (1)         |                       |
| 013        | 31915-Z0H-003     | PLUG, SPARK (CMR5H) (NGK)     | 1           |                       |
| 013        | 31916-Z0H-003     | PLUG, SPARK (CMR6H) (NGK)     | (1)         |                       |
| <u>Ref</u> | <u>Partnumber</u> | <u>Description</u>            | <u>GX25</u> | <u>Serial Numbers</u> |
| 014        | 90009-Z0H-003     | BOLT, SOCKET, 5X20            | 2           |                       |
| 015        | 90010-Z0H-003     | BOLT, SOCKET, 5X30            | 4           |                       |
| 016        | 90013-Z0H-004     | SCREW, PAN, 4X8               | 2           |                       |
| 017        | 90017-Z0H-000     | SCREW, TAPPET ADJUSTING       | 2           |                       |
| 018        | 90019-Z0H-003     | BOLT, SOCKET, 5X12            | 2           |                       |
| 019        | 90206-ZM3-000     | NUT, TAPPET ADJUSTING         | 2           |                       |
| 021        | 93901-34320       | SCREW, TAPPING, 4X12          | 2           |                       |
| 022        | 94305-40102       | PIN, SPRING, 4X10             | 1           |                       |
| 023        | 95002-4120008     | CLAMP, TUBE (D12)             | 1           |                       |
| 024        | 95002-4130004     | CLAMP, TUBE (D13)             | 1           |                       |
| 025        | 14431-Z0H-003     | ARM, IN. VALVE ROCKER         | 1           |                       |
| 026        | 14441-Z0H-003     | ARM, EX. VALVE ROCKER         | 1           |                       |
| 027        | 14730-Z0H-000     | LIFTER COMP., IN. VALVE       | 1           |                       |
| 028        | 14740-Z0H-000     | LIFTER COMP., EX. VALVE       | 1           |                       |

|           |                |
|-----------|----------------|
| GX25(SC2) | E-27 TOP COVER |
|-----------|----------------|

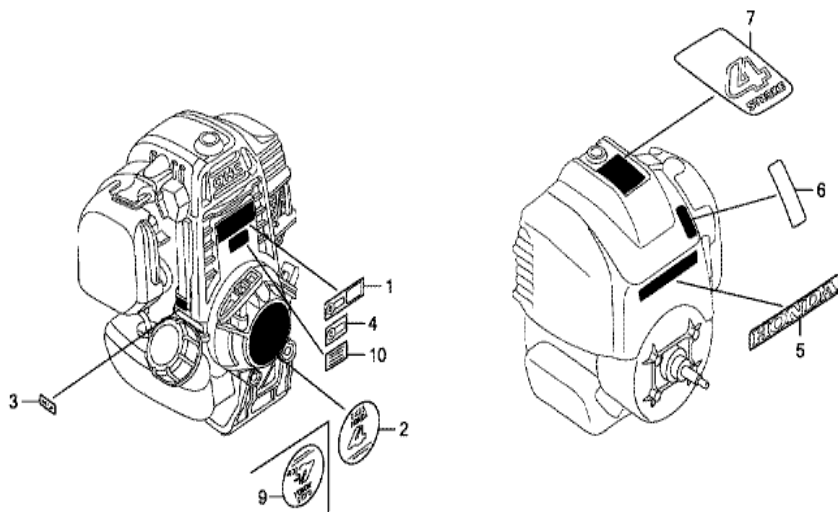


Z0HCE2700D



| Ref | Partnumber      | Description              | GX25 | Serial Numbers |
|-----|-----------------|--------------------------|------|----------------|
| 001 | 19720-Z0H-000ZB | COVER COMP., TOP *R280 * | 1    |                |
| 002 | 90015-Z0H-003   | BOLT, TOP COVER          | 1    |                |

|           |            |
|-----------|------------|
| GX25(SC2) | E-28 LABEL |
|-----------|------------|

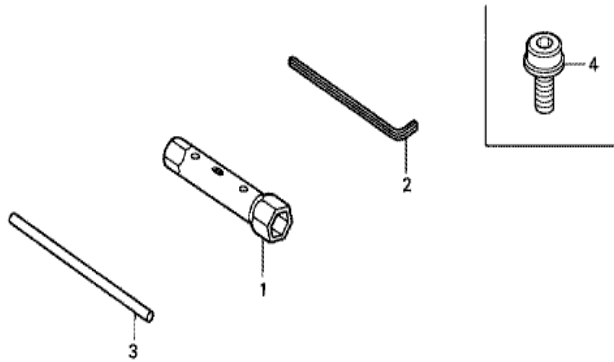


ZOH0E2800H

| <u>Ref</u> | <u>Partnumber</u> | <u>Description</u> | <u>GX25</u> | <u>Serial Numbers</u> |
|------------|-------------------|--------------------|-------------|-----------------------|
| 002        | 87521-ZOH-000     | MARK, EMBLEM       | 1           |                       |
| 003        | 87601-ZOH-820     | MARK, TYPE (SC2)   | 1           |                       |
| 005        | 87531-ZOH-000     | MARK, HONDA        | 1           |                       |
| 007        | 87660-ZOH-000     | MARK (4-STROKE)    | 1           |                       |

GX25(SC2)

E-29 TOOL

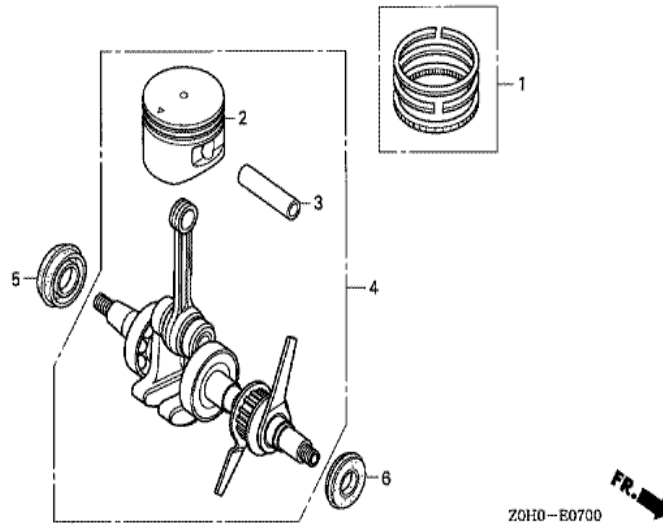


Z0HC-E2900 A

| Ref | Partnumber    | Description        | GX25 | Serial Numbers |
|-----|---------------|--------------------|------|----------------|
| 001 | 89216-045-010 | WRENCH, SPARK PLUG | (1)  |                |
| 002 | 89221-KW3-000 | WRENCH, HEX., 4MM  | (1)  |                |
| 003 | 99005-01000   | BAR A, HANDLE      | (1)  |                |

GX25(SC2)

E-7 CRANKSHAFT/PISTON



ZOH0-E0700



| Ref | Partnumber    | Description       | GX25 | Serial Numbers |
|-----|---------------|-------------------|------|----------------|
| 001 | 13010-ZOH-000 | RING SET, PISTON  | 1    |                |
| 002 | 13101-ZOH-000 | PISTON            | 1    |                |
| 003 | 13111-ZOH-000 | PIN, PISTON       | 1    |                |
| 004 | 13310-ZOH-010 | CRANKSHAFT COMP.  | 1    | 1208427        |
| 005 | 91211-ZOH-003 | OIL SEAL, 12X24X5 | 1    |                |
| 006 | 91212-ZOH-003 | OIL SEAL, 10X20X5 | 1    |                |