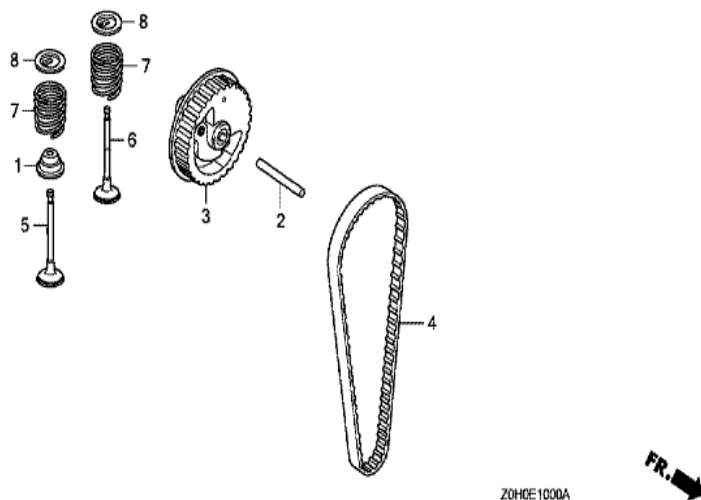


GX25(SAUT/A)

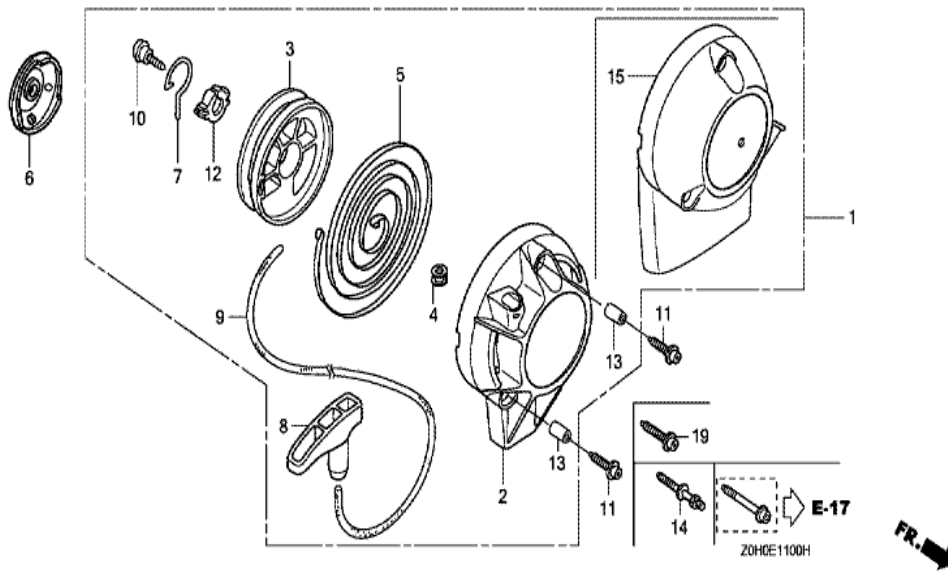
E-10 CAM PULLEY



| Ref | Partnumber    | Description                | GX25 | Serial Numbers |
|-----|---------------|----------------------------|------|----------------|
| 001 | 12209-ZOH-003 | SEAL, VALVE STEM           | 1    |                |
| 002 | 14126-ZOH-003 | ROLLER, 4X29.8             | 1    |                |
| 003 | 14320-ZOH-010 | PULLEY COMP., CAMSHAFT     | 1    | 1073686        |
| 004 | 14400-ZOH-003 | BELT, TIMING (71ZU6 G-300) | 1    |                |
| 005 | 14711-ZOH-000 | VALVE, IN.                 | 1    |                |
| 006 | 14721-ZOH-000 | VALVE, EX.                 | 1    |                |
| 007 | 14751-ZOH-000 | SPRING, VALVE              | 2    |                |
| 008 | 14771-ZOH-000 | RETAINER, VALVE SPRING     | 2    |                |

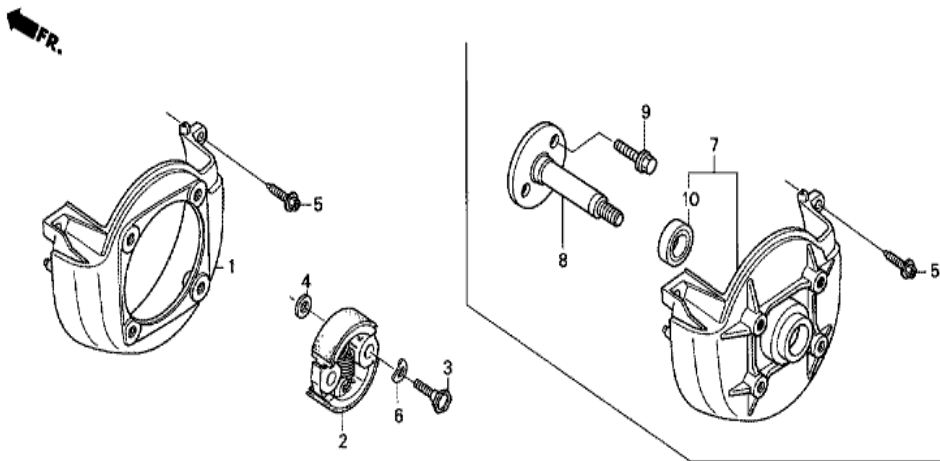
GX25(SAUT/A)

E-11 RECOIL STARTER



| Ref | Partnumber    | Description            | GX25 | Serial Numbers |
|-----|---------------|------------------------|------|----------------|
| 001 | 28400-ZOH-003 | STARTER ASSY., RECOIL  | 1    |                |
| 002 | 28414-ZOH-003 | CASE, RECOIL STARTER   | 1    |                |
| 003 | 28421-ZOH-003 | REEL, RECOIL STARTER   | 1    |                |
| 004 | 28433-ZM3-003 | GUIDE, ROPE            | 1    |                |
| 005 | 28442-ZOH-003 | SPRING, RECOIL STARTER | 1    |                |
| 006 | 28451-ZOH-003 | PULLEY, RECOIL STARTER | 1    |                |
| 007 | 28459-ZOH-003 | ARM, SWING             | 1    |                |
| 008 | 28461-ZM3-003 | KNOB, RECOIL STARTER   | 1    |                |
| 009 | 28462-ZM3-003 | ROPE, RECOIL STARTER   | 1    |                |
| 010 | 90012-ZM3-003 | SCREW, SETTING         | 1    |                |
| 011 | 90018-ZOH-003 | BOLT, SOCKET, 5X16     | 1    |                |
| 012 | 91504-ZM3-003 | COLLAR                 | 1    |                |
| 013 | 91506-ZM3-000 | COLLAR A, HEAD COVER   | 3    |                |

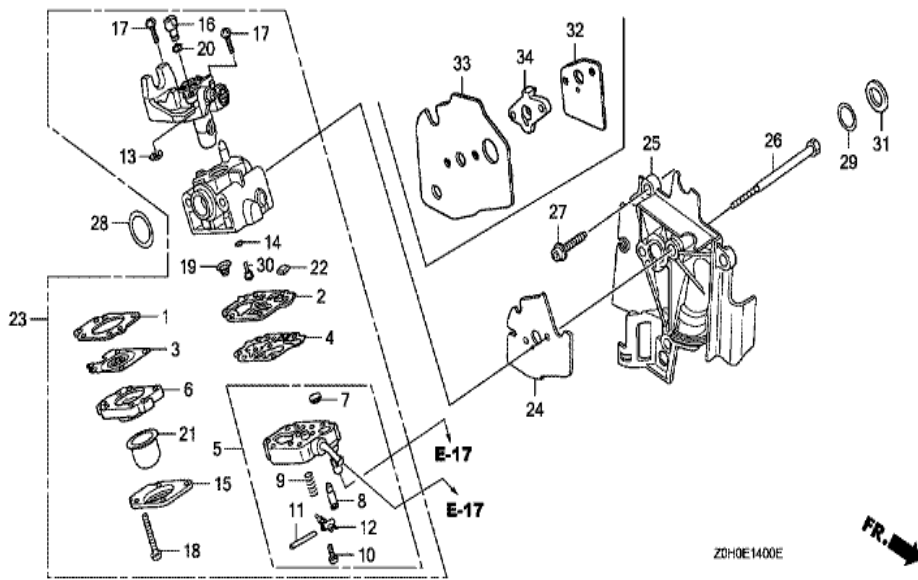
|              |                       |
|--------------|-----------------------|
| GX25(SAUT/A) | E-12 FAN COVER/CLUTCH |
|--------------|-----------------------|



ZOH0-E12008

| Ref | Partnumber    | Description           | GX25 | Serial Numbers |
|-----|---------------|-----------------------|------|----------------|
| 001 | 19611-ZOH-000 | COVER, FAN            | 1    |                |
| 002 | 22000-ZM3-003 | CLUTCH ASSY.          | 1    |                |
| 003 | 22253-ZOH-003 | BOLT, CLUTCH (6MM)    | 2    |                |
| 004 | 22254-ZM3-003 | WASHER, CLUTCH (6X15) | 2    |                |
| 005 | 90009-ZOH-003 | BOLT, SOCKET, 5X20    | 3    |                |
| 006 | 22254-ZOH-003 | WASHER, WAVE (8MM)    | 2    |                |

|              |                 |
|--------------|-----------------|
| GX25(SAUT/A) | E-14 CARBURETOR |
|--------------|-----------------|

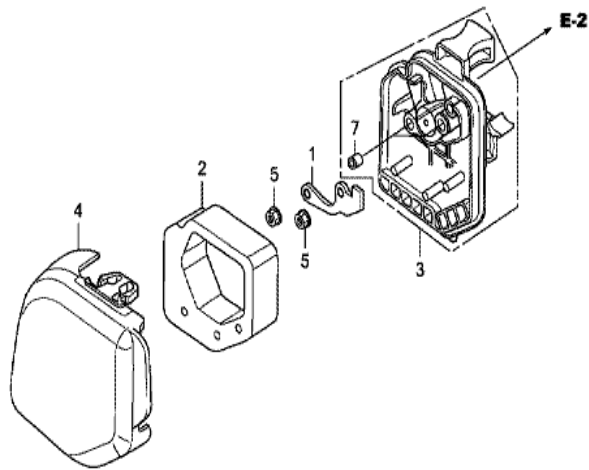


| Ref | Partnumber    | Description                | GX25 | Serial Numbers |
|-----|---------------|----------------------------|------|----------------|
| 001 | 16010-ZM3-004 | GASKET, METERING DIAPHRAGM | 1    |                |
| 002 | 16011-Z0H-003 | GASKET, PUMP               | 1    |                |
| 002 | 16011-Z0H-013 | GASKET, PUMP               | 1    |                |
| 003 | 16013-Z0H-003 | DIAPHRAGM ASSY., METERING  | 1    |                |
| 004 | 16014-ZM3-004 | DIAPHRAGM, PUMP            | 1    |                |
| 005 | 16015-Z0H-003 | BODY ASSY., PUMP           | 1    |                |
| 005 | 16015-Z0H-013 | BODY ASSY., PUMP           | 1    | WYB 6D         |
| 006 | 16017-ZM3-004 | BODY ASSY., AIR PURGE      | 1    |                |
| 007 | 16018-ZM3-802 | SCREEN, INLET              | 1    |                |
| 008 | 16019-ZM3-004 | VALVE, INLET NEEDLE        | 1    |                |
| 009 | 16020-ZM3-004 | SPRING, METERING LEVER     | 1    |                |
| 010 | 16021-ZM3-004 | SCREW, METERING LEVER PIN  | 1    |                |
| 011 | 16022-ZM3-014 | PIN, METERING LEVER        | 1    |                |

| <u>Ref</u> | <u>Partnumber</u> | <u>Description</u>        | <u>GX25</u> | <u>Serial Numbers</u> |
|------------|-------------------|---------------------------|-------------|-----------------------|
| 012        | 16023-ZM3-004     | LEVER, METERING           | 1           |                       |
| 013        | 16024-Z0H-003     | RING, RETAINING           | 1           |                       |
| 014        | 16025-ZM3-004     | O-RING                    | 1           |                       |
| 015        | 16026-ZM3-004     | COVER, PRIMER PUMP        | 1           |                       |
| 016        | 16027-ZM3-004     | SWIVEL                    | 1           |                       |
| 017        | 16028-ZM3-004     | SCREW, THROTTLE COLLAR    | 2           |                       |
| 018        | 16029-ZM3-004     | SCREW, PUMP COVER         | 4           |                       |
| 019        | 16030-ZM3-004     | SPRING, PUMP              | 1           |                       |
| 020        | 16031-ZM3-004     | WASHER                    | 1           |                       |
| 021        | 16032-ZM3-004     | PUMP, PRIMER              | 1           |                       |
| 022        | 16035-ZM3-802     | FILTER, FUEL INLET        | 1           |                       |
| 023        | 16100-Z0H-802     | CARBURETOR ASSY. (WYB 7B) | 1           | 1218410               |
| 023        | 16100-Z0H-803     | CARBURETOR ASSY. (WYB 7B) | 1           | 1218411 1383367       |
| 023        | 16100-Z0H-804     | CARBURETOR ASSY. (WYB 7C) | 1           | 1383368               |
| 024        | 16221-Z0H-000     | PACKING, CARBURETOR       | 1           |                       |
| 025        | 19631-Z0H-000     | SHROUD                    | 1           |                       |
| 026        | 90014-Z0H-003     | BOLT, 5X53                | 2           |                       |
| 027        | 90018-Z0H-003     | BOLT, SOCKET, 5X16        | 3           |                       |
| 028        | 91301-ZM3-000     | O-RING, 14.8X2.4          | 1           |                       |
| 029        | 91308-Z0H-003     | O-RING, 12.3X2.4          | 1           |                       |
| 030        | 99101-ZM50330     | JET (#33)                 | (1)         | WYB 7B                |
| 030        | 99101-ZM50340     | JET (#34)                 | 1           |                       |
| 030        | 99101-ZM50350     | JET (#35)                 | 1           | WYB 7B                |
| 031        | 90401-Z0H-000     | WASHER                    | 1           | 1208427               |

GX25(SAUT/A)

E-15 AIR CLEANER (1)

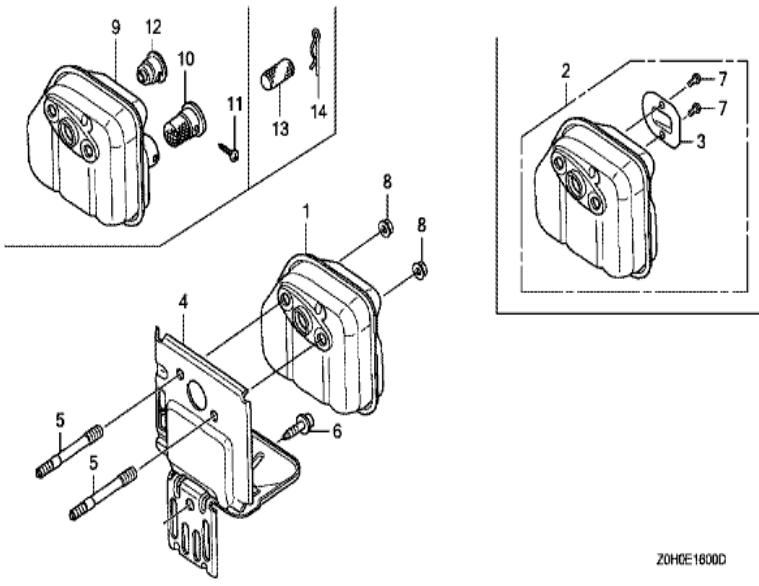


ZOHCE1500D

FR. →

| Ref | Partnumber    | Description             | GX25 | Serial Numbers |
|-----|---------------|-------------------------|------|----------------|
| 001 | 17204-ZOH-000 | PLATE, OIL TRAP         | 1    |                |
| 002 | 17211-ZOH-000 | ELEMENT, AIR CLEANER    | 1    |                |
| 003 | 17220-ZOH-000 | CASE COMP., AIR CLEANER | 1    |                |
| 004 | 17231-ZOH-000 | COVER, AIR CLEANER      | 1    |                |
| 005 | 94050-05000   | NUT, FLANGE, 5MM        | 2    |                |
| 007 | 91503-ZM3-000 | COLLAR, AIR CLEANER     | 2    |                |

|              |              |
|--------------|--------------|
| GX25(SAUT/A) | E-16 MUFFLER |
|--------------|--------------|

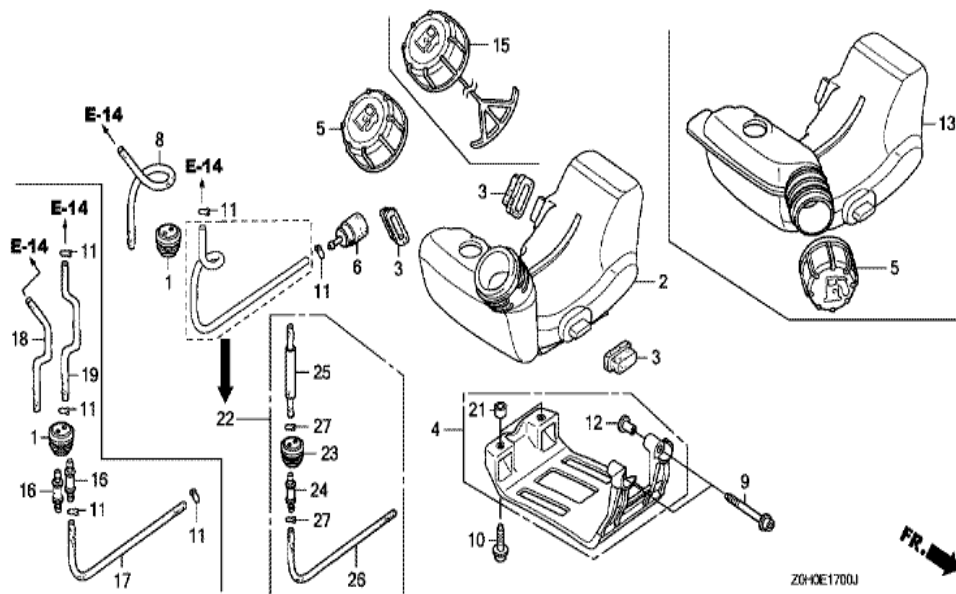


ZOHCE1600D



| Ref | Partnumber    | Description             | GX25 | Serial Numbers |
|-----|---------------|-------------------------|------|----------------|
| 002 | 18310-ZOH-800 | MUFFLER COMP.           | (1)  |                |
| 003 | 18350-ZOH-800 | ARRESTER COMP., SPARK   | (1)  |                |
| 004 | 18515-ZOH-000 | GUIDE, AIR EX.          | 1    |                |
| 005 | 90001-ZOH-003 | BOLT, STUD, 5X52        | 2    |                |
| 006 | 90011-ZOH-003 | BOLT, SOCKET, 5X10 (CT) | 1    |                |
| 007 | 90055-ZE1-000 | SCREW, TAPPING, 4X6     | (2)  |                |
| 008 | 90136-SM4-901 | NUT, SELF-LOCK, 5MM     | 2    |                |

|              |                |
|--------------|----------------|
| GX25(SAUT/A) | E-17 FUEL TANK |
|--------------|----------------|

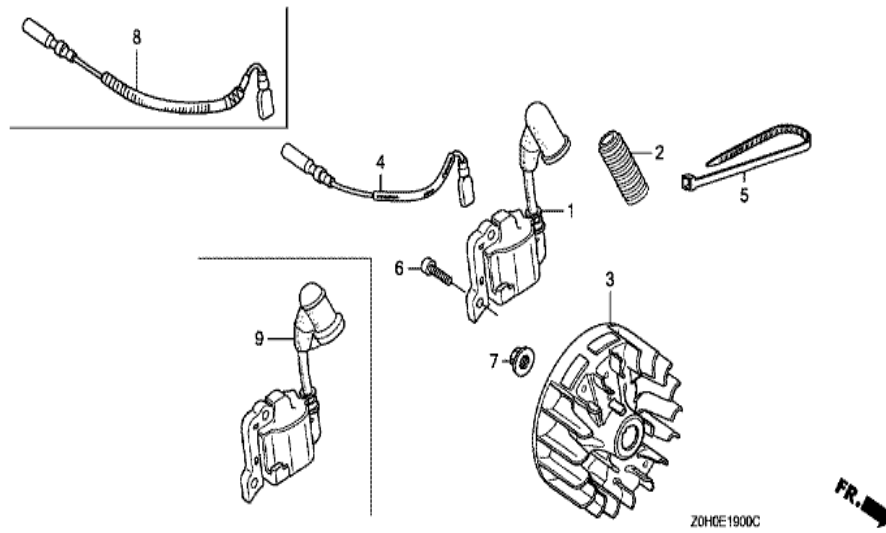


| <u>Ref</u> | <u>Partnumber</u> | <u>Description</u>       | <u>GX25</u> | <u>Serial Numbers</u> |
|------------|-------------------|--------------------------|-------------|-----------------------|
| 001        | 17504-ZM3-003     | GROMMET, FUEL TUBE       | 1           |                       |
| 002        | 17511-ZOH-013     | TANK, FUEL               | 1           | 1272524               |
| 002        | 17511-ZOH-023     | TANK, FUEL               | 1           | 1272525               |
| 003        | 17533-ZOH-000     | RUBBER, TANK MOUNTING    | 3           |                       |
| 004        | 17555-ZOH-010     | GUARD, TANK              | 1           |                       |
| 005        | 17620-ZM3-053     | CAP ASSY., FUEL TANK     | 1           |                       |
| 006        | 17672-ZOH-003     | FILTER, FUEL             | 1           | 1272525               |
| 006        | 17672-ZM3-003     | FILTER, FUEL             | 1           | 1272524               |
| 008        | 17702-ZOH-003     | TUBE, FUEL RETURN        | 1           |                       |
| 009        | 90010-ZOH-003     | BOLT, SOCKET, 5X30       | 2           |                       |
| 010        | 90018-ZOH-003     | BOLT, SOCKET, 5X16       | 2           |                       |
| 011        | 91401-ZM3-003     | CLIP, TUBE               | 2           |                       |
| 012        | 91501-ZOH-000     | COLLAR, TANK GUARD       | 2           |                       |
| <u>Ref</u> | <u>Partnumber</u> | <u>Description</u>       | <u>GX25</u> | <u>Serial Numbers</u> |
| 021        | 91506-ZM3-000     | COLLAR A, HEAD COVER     | 2           |                       |
| 022        | 17700-ZOH-305     | GROMMET ASSY., FUEL TANK | 1           | 1258242               |
| 023        | 17504-ZM3-003     | GROMMET, FUEL TUBE       | (1)         | 1258242               |
| 024        | 17519-ZM5-003     | FITTING                  | (1)         |                       |
| 025        | 17701-ZOH-800     | TUBE COMP., FUEL FEED    | (1)         | 1258242               |
| 026        | 17703-ZOH-J71     | TUBE A, FUEL             | (1)         | 1258242               |
| 027        | 91401-ZM3-003     | CLIP, TUBE               | (2)         | 1258242               |



GX25(SAUT/A)

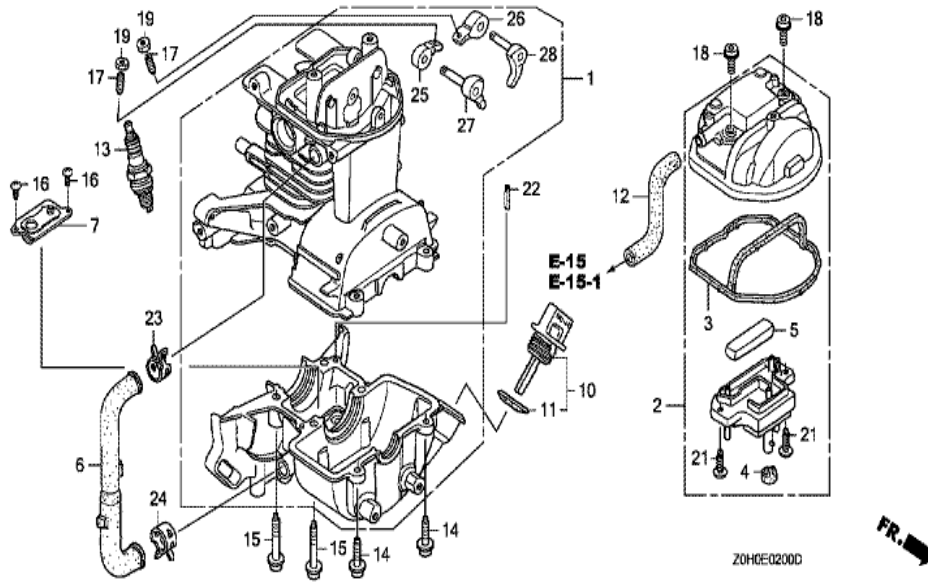
E-19 FLYWHEEL



| Ref | Partnumber    | Description          | GX25 | Serial Numbers |
|-----|---------------|----------------------|------|----------------|
| 003 | 31110-Z0H-003 | FLYWHEEL COMP.       | 1    |                |
| 004 | 32195-Z0H-000 | CORD, STOP SWITCH    | 1    |                |
| 006 | 90012-Z0H-005 | BOLT, SOCKET, 4X14   | 2    |                |
| 007 | 90355-427-770 | NUT, FLANGE, 7MM     | 1    |                |
| 009 | 30500-Z0H-013 | COIL ASSY., IGNITION | 1    | 1073686        |
| 009 | 30500-Z0H-023 | COIL ASSY., IGNITION | 1    | 1356416        |

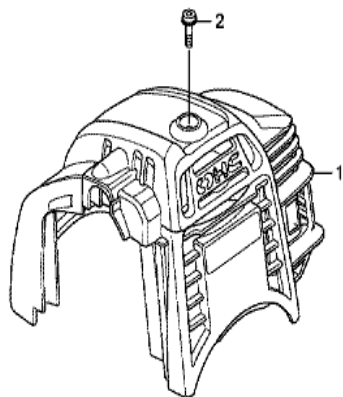
GX25(SAUT/A)

E-2 CRANKCASE SET



| Ref | Partnumber    | Description                   | GX25 | Serial Numbers |
|-----|---------------|-------------------------------|------|----------------|
| 001 | 10100-Z0H-415 | CRANKCASE SET                 | 1    | 1208427        |
| 001 | 10100-Z0H-425 | CRANKCASE SET                 | 1    | 1208428        |
| 002 | 12310-Z0H-010 | COVER, CYLINDER HEAD          | 1    |                |
| 003 | 12312-Z0H-300 | SEAL, HEAD COVER              | 1    |                |
| 004 | 12314-Z0H-300 | GROMMET, HEAD COVER           | 1    |                |
| 005 | 12367-Z0H-000 | FILTER, BREATHER              | 1    |                |
| 006 | 15422-Z0H-000 | TUBE, OIL                     | 1    |                |
| 007 | 15510-Z0H-000 | PLATE ASSY., OIL OUTLET VALVE | 1    |                |
| 010 | 15600-ZF0-003 | CAP ASSY., OIL FILLER         | 1    |                |
| 011 | 15625-ZE1-003 | PACKING, OIL FILLER CAP       | 1    |                |
| 012 | 15721-Z0H-000 | TUBE, BREATHER                | 1    |                |
| 013 | 31914-Z0H-003 | PLUG, SPARK (CMR4H) (NGK)     | (1)  |                |
| 013 | 31915-Z0H-003 | PLUG, SPARK (CMR5H) (NGK)     | 1    |                |
| Ref | Partnumber    | Description                   | GX25 | Serial Numbers |
| 013 | 31916-Z0H-003 | PLUG, SPARK (CMR6H) (NGK)     | (1)  |                |
| 014 | 90009-Z0H-003 | BOLT, SOCKET, 5X20            | 2    |                |
| 015 | 90010-Z0H-003 | BOLT, SOCKET, 5X30            | 4    |                |
| 016 | 90013-Z0H-004 | SCREW, PAN, 4X8               | 2    |                |
| 017 | 90017-Z0H-000 | SCREW, TAPPET ADJUSTING       | 2    |                |
| 018 | 90019-Z0H-003 | BOLT, SOCKET, 5X12            | 2    |                |
| 019 | 90206-ZM3-000 | NUT, TAPPET ADJUSTING         | 2    |                |
| 021 | 93901-34320   | SCREW, TAPPING, 4X12          | 2    |                |
| 022 | 94305-40102   | PIN, SPRING, 4X10             | 1    |                |
| 023 | 95002-4120008 | CLAMP, TUBE (D12)             | 1    |                |
| 024 | 95002-4130004 | CLAMP, TUBE (D13)             | 1    |                |
| 025 | 14431-Z0H-003 | ARM, IN. VALVE ROCKER         | 1    |                |
| 026 | 14441-Z0H-003 | ARM, EX. VALVE ROCKER         | 1    |                |
| 027 | 14730-Z0H-000 | LIFTER COMP., IN. VALVE       | 1    |                |
| 028 | 14740-Z0H-000 | LIFTER COMP., EX. VALVE       | 1    |                |

|              |                |
|--------------|----------------|
| GX25(SAUT/A) | E-27 TOP COVER |
|--------------|----------------|

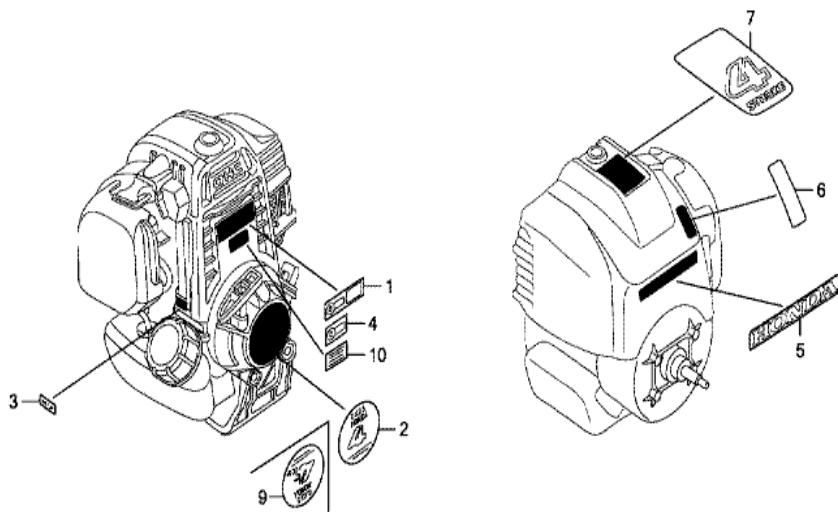


Z0HCE2700D



| Ref | Partnumber      | Description              | GX25 | Serial Numbers |
|-----|-----------------|--------------------------|------|----------------|
| 001 | 19720-Z0H-000ZB | COVER COMP., TOP *R280 * | 1    |                |
| 002 | 90015-Z0H-003   | BOLT, TOP COVER          | 1    |                |

|              |            |
|--------------|------------|
| GX25(SAUT/A) | E-28 LABEL |
|--------------|------------|

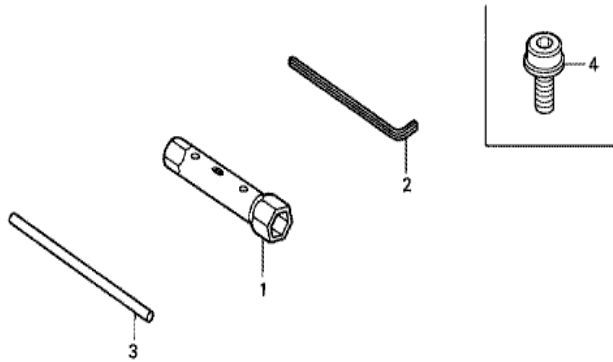


ZOH0E2800H

| Ref | Partnumber    | Description                             | GX25 | Serial Numbers |
|-----|---------------|---|------|----------------|
| 002 | 87521-ZOH-000 | MARK, EMBLEM                            | 1    |                |
| 003 | 87601-ZOH-880 | MARK, TYPE (SAUT)                       | 1    |                |
| 004 | 87135-ZE2-020 | LABEL, E-SPEC (15.5X27.5)               | 1    |                |
| 005 | 87531-ZOH-000 | MARK, HONDA                             | 1    |                |
| 007 | 87660-ZOH-000 | MARK (4-STROKE)                         | 1    |                |
| 010 | 87114-ZH7-810 | LABEL, WARNING (NOT CERTIFIED FOR SALE) | 1    | 1470053        |

GX25(SAUT/A)

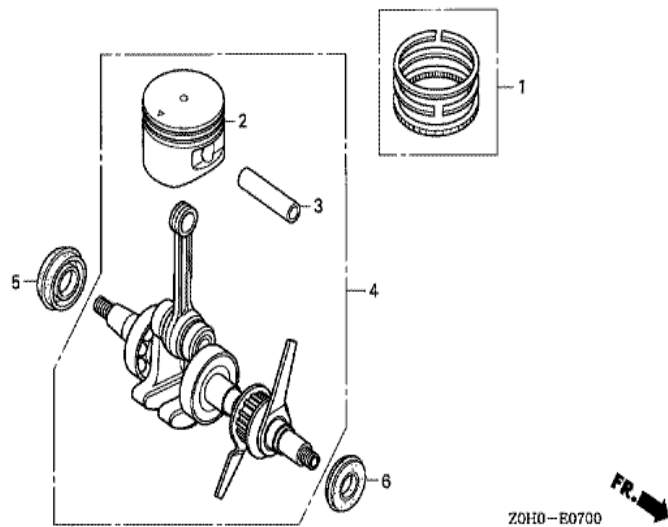
E-29 TOOL



Z0HC-E2900 A

| Ref | Partnumber    | Description        | GX25 | Serial Numbers |
|-----|---------------|--------------------|------|----------------|
| 001 | 89216-045-010 | WRENCH, SPARK PLUG | (1)  |                |
| 002 | 89221-KW3-000 | WRENCH, HEX., 4MM  | (1)  |                |
| 003 | 99005-01000   | BAR A, HANDLE      | (1)  |                |
| 004 | 90011-Z0H-811 | BOLT, SOCKET, 5X9  | (1)  |                |

|              |                       |
|--------------|-----------------------|
| GX25(SAUT/A) | E-7 CRANKSHAFT/PISTON |
|--------------|-----------------------|



| Ref | Partnumber    | Description       | GX25 | Serial Numbers |
|-----|---------------|-------------------|------|----------------|
| 001 | 13010-ZOH-000 | RING SET, PISTON  | 1    |                |
| 002 | 13101-ZOH-000 | PISTON            | 1    |                |
| 003 | 13111-ZOH-000 | PIN, PISTON       | 1    |                |
| 004 | 13310-ZOH-010 | CRANKSHAFT COMP.  | 1    | 1208427        |
| 004 | 13310-ZOH-020 | CRANKSHAFT COMP.  | 1    | 1208428        |
| 005 | 91211-ZOH-003 | OIL SEAL, 12X24X5 | 1    |                |
| 006 | 91212-ZOH-003 | OIL SEAL, 10X20X5 | 1    |                |