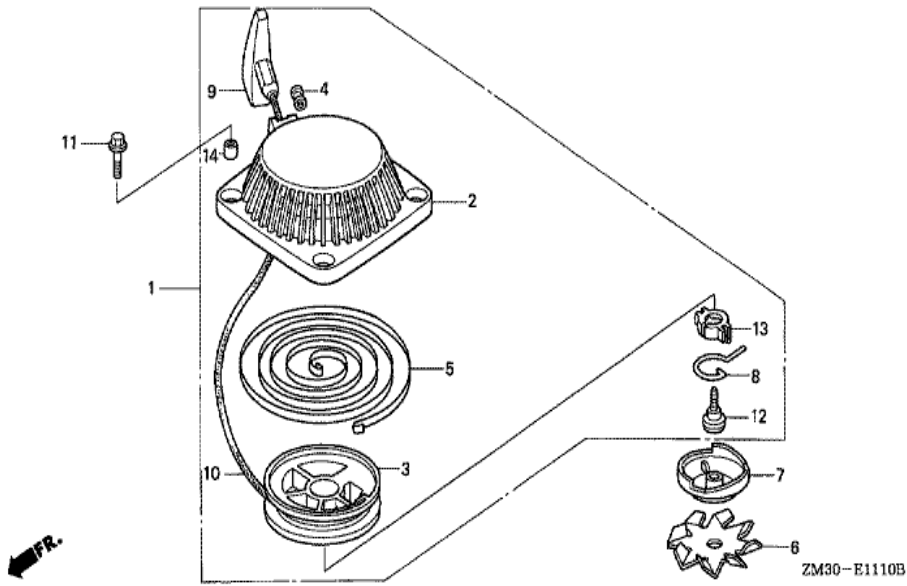


GX22(TJ5)

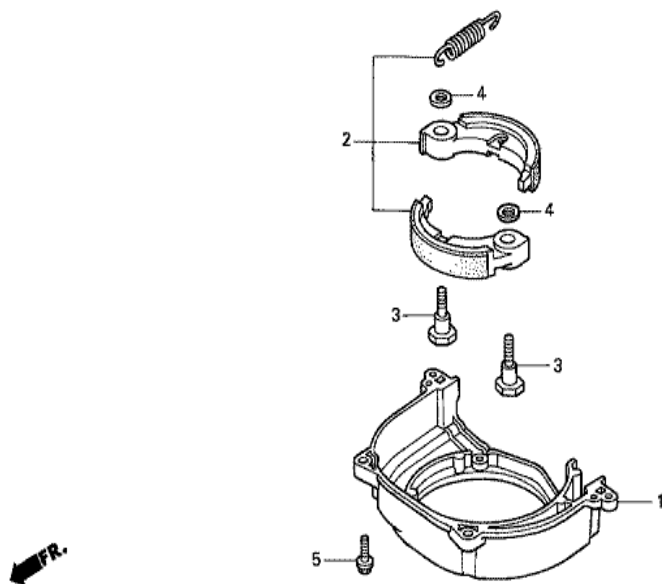
E-11-10 RECOIL STARTER (VERTICAL TYPE)



<u>Ref</u>	<u>Partnumber</u>	<u>Description</u>	<u>GX22</u>	<u>Serial Numbers</u>
001	28400-ZM3-003ZA	STARTER ASSY., RECOIL *NH1 *	1	
002	28414-ZM3-003	CASE, RECOIL STARTER	1	
003	28421-ZM3-003	REEL, RECOIL STARTER	1	
004	28433-ZM3-003	GUIDE, ROPE	1	
005	28442-ZM3-003	SPRING, RECOIL STARTER	1	
006	28447-ZM3-000	FAN, RATCHET	1	
007	28451-ZM3-003	PULLEY, RECOIL STARTER	1	
008	28459-ZM3-003	ARM, SWING	1	
009	28461-ZM3-003	KNOB, RECOIL STARTER	1	
010	28462-ZM3-003	ROPE, RECOIL STARTER	1	
011	90005-ZM3-000	BOLT, FLANGE, 5X18	4	
012	90012-ZM3-003	SCREW, SETTING	1	
013	91504-ZM3-003	COLLAR	1	
<u>Ref</u>	<u>Partnumber</u>	<u>Description</u>	<u>GX22</u>	<u>Serial Numbers</u>
014	91505-ZM3-003	COLLAR	4	

GX22(TJ5)

E-12-10 CLUTCH/FAN COVER (VERTICAL TYPE)

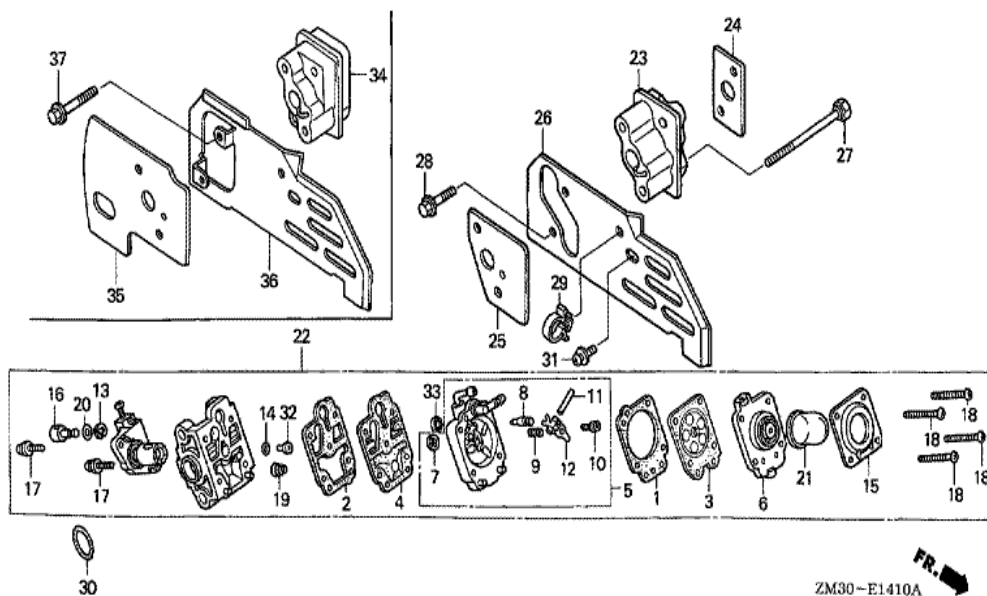


ZM30-B1210

Ref	Partnumber	Description	GX22	Serial Numbers
001	19611-ZM3-000	COVER, FAN	1	
002	22000-ZM3-003	CLUTCH ASSY.	1	
003	22253-ZM3-003	BOLT, CLUTCH (6MM)	2	
004	22254-ZM3-003	WASHER, CLUTCH (6X15)	2	
005	90005-ZM3-000	BOLT, FLANGE, 5X18	2	

GX22(TJ5)

E-14-10 CARBURETOR (VERTICAL TYPE)

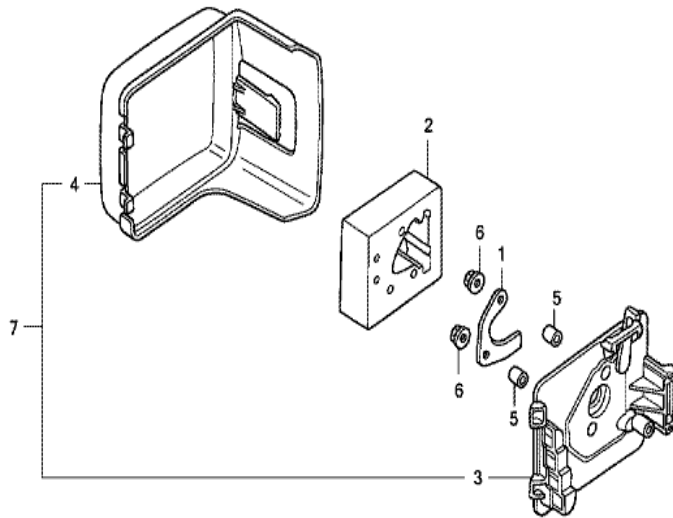


Ref	Partnumber	Description	GX22	Serial Numbers
001	16010-ZM3-004	GASKET, METERING DIAPHRAGM	1	
002	16011-ZM3-014	GASKET, PUMP	1	
003	16013-ZM3-004	DIAPHRAGM ASSY., METERING	1	
004	16014-ZM3-004	DIAPHRAGM, PUMP	1	
005	16015-ZM3-004	BODY ASSY., PUMP	1	WYL 98
005	16015-ZM3-602	BODY ASSY., PUMP	1	
006	16017-ZM3-004	BODY ASSY., AIR PURGE	1	
007	16018-ZM3-004	SCREEN, INLET	1	WYL 98
008	16019-ZM3-004	VALVE, INLET NEEDLE	1	
009	16020-ZM3-004	SPRING, METERING LEVER	1	
010	16021-ZM3-004	SCREW, METERING LEVER PIN	1	
011	16022-ZM3-004	PIN, METERING LEVER	1	
012	16023-ZM3-004	LEVER, METERING	1	

<u>Ref</u>	<u>Partnumber</u>	<u>Description</u>	<u>GX22</u>	<u>Serial Numbers</u>	
013	16024-ZM3-004	RING, SPRING RETAINING	1		
014	16025-ZM3-004	O-RING	1		
015	16026-ZM3-004	COVER, PRIMER PUMP	1		
016	16027-ZM3-004	SWIVEL	1		
017	16028-ZM3-004	SCREW, THROTTLE COLLAR	2		
018	16029-ZM3-004	SCREW, PUMP COVER	4		
019	16030-ZM3-004	SPRING, PUMP	1		
020	16031-ZM3-004	WASHER	1		
021	16032-ZM3-004	PUMP, PRIMER	1		
022	16100-ZM3-833	CARBURETOR ASSY. (WYL 82A)	1	1129973	1179746
022	16100-ZM3-834	CARBURETOR ASSY. (WYL 82B)	1	1179747	1205100
022	16100-ZM3-835	CARBURETOR ASSY. (WYL 128/128A)	1	1205101	
023	16211-ZM3-000	INSULATOR, CARBURETOR	1		1205100
024	16212-ZM3-000	PACKING, INSULATOR	1		
025	16221-ZM3-000	PACKING, CARBURETOR	1		1200403
026	19651-ZM3-000	GUIDE, AIR INLET	1		1412244
027	90010-ZM3-000	BOLT, HEX., 5X75	2		
028	90112-GK8-010	BOLT, FLANGE, 5X22	4		1412244
029	90659-680-013	CLIP, WIRE HARNESS	1		
030	91301-ZM3-000	O-RING, 14.8X2.4	1		
031	93894-0501000	SCREW-WASHER, 5X10	1		
032	99101-ZM30310	JET (#31.5)	(1)	WYL 132	
032	99101-ZM30320	JET (#32.5)	1		
032	99101-ZM30330	JET (#33.5)	(1)	WYL 134	
032	99101-ZM30360	JET (#36)	(1)	WYL 83A	WYL 98A
032	99101-ZM30370	JET (#37)	(1)	WYL 83A	WYL 98A
032	99101-ZM30380	JET (#38)	1		WYL 82B
034	16211-ZM3-700	INSULATOR, CARBURETOR	1	1205101	
036	19651-ZM3-U30	GUIDE, AIR INLET	1	1412245	
037	90112-ZM3-U30	BOLT, FLANGE, 5X32	2	1412245	

GX22(TJ5)

E-15-10 AIR CLEANER (VERTICAL TYPE)

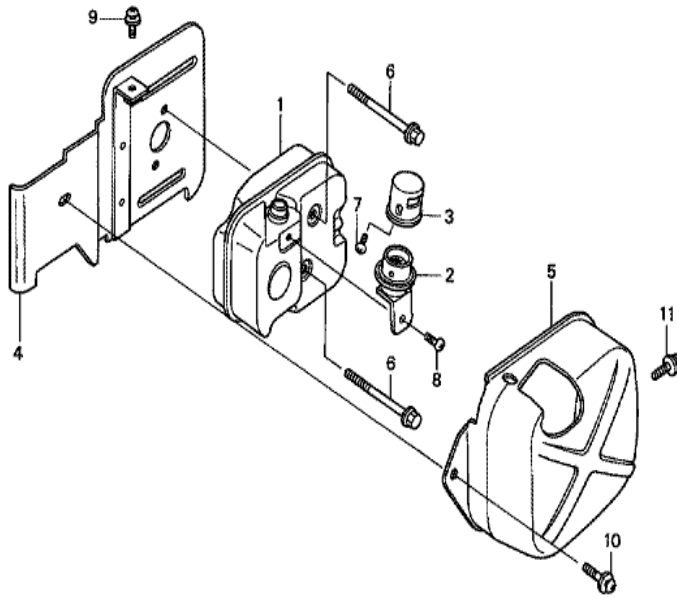


ZM30E1510A

Ref	Partnumber	Description	GX22	Serial Numbers	
001	17204-ZM3-000	PLATE, OIL TRAP	1		
002	17211-ZM3-800	ELEMENT, AIR CLEANER (SEMI-DRY)	1		
003	17220-ZM3-010ZA	CASE COMP., AIR CLEANER *R8 *	1	1207879	1272858
003	17220-ZM3-010ZD	CASE COMP., AIR CLEANER *R291R *	1	1795196	1913729
004	17231-ZM3-010ZA	COVER, AIR CLEANER *R8 *	1		1271697
004	17231-ZM3-010ZD	COVER, AIR CLEANER *R291R *	1	1795280	1913729
005	91503-ZM3-000	COLLAR, AIR CLEANER	2		
006	94050-05000	NUT, FLANGE, 5MM	2		
007	04105-ZM3-G00ZC	CASE SET, AIR CLEANER *R280*	1		1465505

GX22(TJ5)

E-16-10 MUFFLER (VERTICAL TYPE)

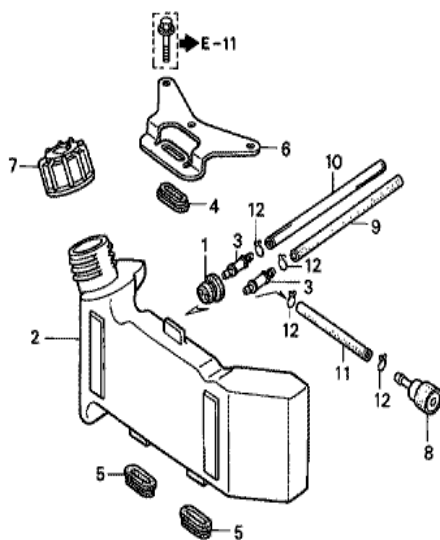


ZM30-E1610

Ref	Partnumber	Description	GX22	Serial Numbers
001	18310-ZM3-810	MUFFLER COMP.	1	
002	18355-ZM3-810	ARRESTER, SPARK	1	
003	18431-ZM3-000	DEFLECTOR	1	
004	18515-ZM3-000	GUIDE, AIR EX.	1	
005	19722-ZM3-820	INNER COVER, TOP	1	
006	90004-ZM3-000	BOLT, FLANGE, 5X50	2	
007	90055-ZE1-000	SCREW, TAPPING, 4X6	1	
008	93891-0400600	SCREW-WASHER, 4X6	1	
009	93891-0500800	SCREW-WASHER, 5X8	1	
010	93894-0501000	SCREW-WASHER, 5X10	1	
011	93894-0501600	SCREW-WASHER, 5X16	1	

GX22(TJ5)

E-17-10 FUEL TANK (VERTICAL TYPE)



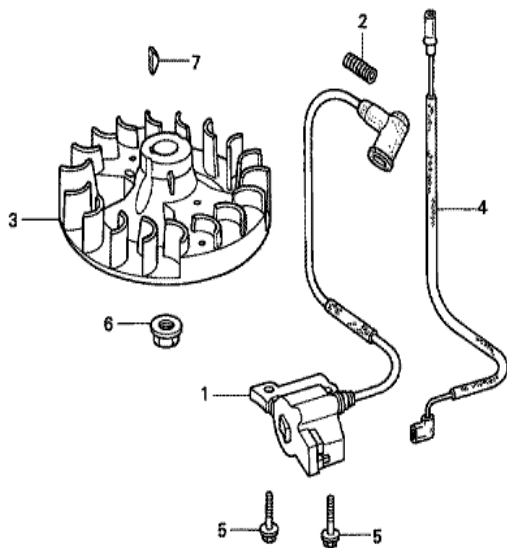
FR.

ZM30-E1710

Ref	Partnumber	Description	GX22	Serial Numbers
001	17504-ZM3-003	GROMMET, FUEL TUBE	1	
002	17511-ZM5-821	TANK, FUEL	1	
003	17519-ZM5-003	FITTING	2	
004	17532-ZM3-010	RUBBER A, TANK MOUNTING	1	
005	17533-ZM3-000	RUBBER B, TANK MOUNTING	2	
006	17561-ZM3-010	STAY, FUEL TANK	1	
007	17620-ZM3-043	CAP ASSY., FUEL TANK	1	
008	17672-ZM3-003	FILTER, FUEL	1	2168923
009	17701-ZM5-003	TUBE, FUEL	1	
010	17702-ZM5-003	TUBE, FUEL RETURN	1	
011	17703-ZM5-003	TUBE, FUEL	1	
012	91401-ZM3-003	CLIP, TUBE	4	

GX22(TJ5)

E-19-10 FLYWHEEL/IGNITION COIL (VERTICAL TYPE)

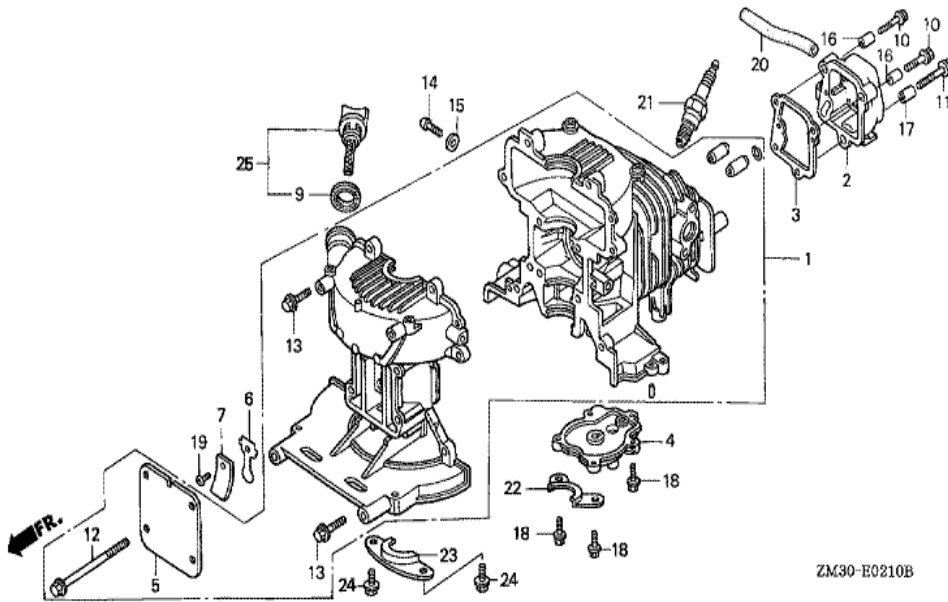


ZM30-E1910

Ref	Partnumber	Description	GX22	Serial Numbers
001	30500-ZM3-003	COIL ASSY., IGNITION	1	
002	30519-ZM3-000	TUBE A, CORRUGATED (7X18)	1	
003	31110-ZM3-013	FLYWHEEL COMP.	1	
004	32195-ZM3-000	CORD, STOP SWITCH	1	
005	93401-0501600	BOLT-WASHER, 5X16	2	
006	94050-10000	NUT, FLANGE, 10MM	1	
007	94401-16120	KEY, WOODRUFF, 16X12	1	

GX22(TJ5)

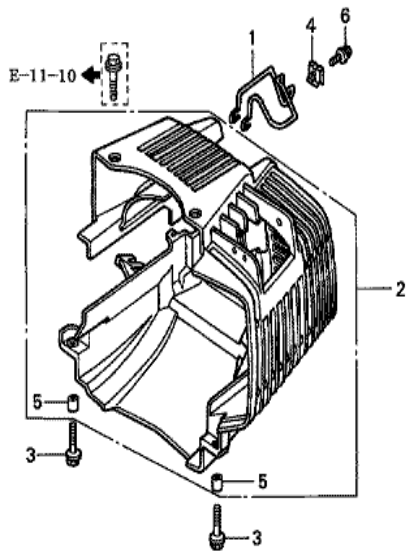
E-2-10 CYLINDER HEAD COVER/ CRANKCASE SET (2)



ZM30-E0210B

Ref	Partnumber	Description	GX22	Serial Numbers
001	11010-ZM3-020	CRANKCASE SET	1	1205100
001	11010-ZM3-030	CRANKCASE SET	1	1205101 1224524
001	11010-ZM3-040	CRANKCASE SET	1	1224525 1227310
002	12310-ZM3-003	COVER COMP., HEAD	1	
003	12312-ZM3-020	PACKING, HEAD COVER	1	
004	14121-ZM3-010	COVER, CAMSHAFT	1	1138647
005	15511-ZM3-000	COVER, OIL OUTLET VALVE	1	
006	15571-ZM3-003	VALVE, OIL OUTLET	1	
007	15572-ZM3-000	PLATE, STOPPER	1	
009	15625-ZE1-003	PACKING, OIL FILLER CAP	1	
010	90001-ZM3-000	BOLT, FLANGE, 5X22	2	
011	90002-ZM3-000	BOLT, FLANGE, 5X14	1	
012	90003-ZM3-000	BOLT, FLANGE, 5X55	4	
<u>Ref</u>	<u>Partnumber</u>	<u>Description</u>	<u>GX22</u>	<u>Serial Numbers</u>
013	90005-ZM3-000	BOLT, FLANGE, 5X18	6	
014	90011-ZM3-000	SCREW, PAN, 6X8	1	
015	90481-GW3-000	WASHER, SEALING, 6.5MM	1	
016	91501-ZM3-010	COLLAR, HEAD COVER	2	
017	91506-ZM3-000	COLLAR A, HEAD COVER	1	
018	93401-0401600	BOLT-WASHER, 4X16	5	
019	93500-030050A	SCREW, PAN, 3X5	1	
020	95005-7006830	TUBE, 7X68 (95005-70001-30M)	1	
021	98056-55750	PLUG, SPARK (U16FS-UB) (DENSO)	1	1337964
021	98056-55757	PLUG, SPARK (U16FSR-UB)	1	1337965
021	98056-55770	PLUG, SPARK (C5HSB) (NGK)	1	1337964
021	98056-55777	PLUG, SPARK (CR5HSB)	1	1337965
022	11113-ZM3-000	GUARD A, GRASS	1	1193156
023	11114-ZM3-000	GUARD B, GRASS	1	
024	93401-0401000	BOLT-WASHER, 4X10	2	1193156
025	15600-ZM3-003	CAP ASSY., OIL FILLER	1	

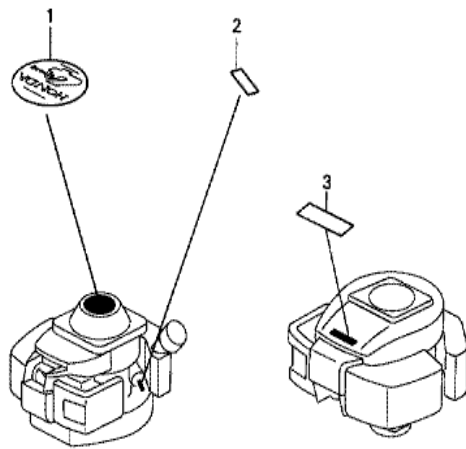
GX22(TJ5)	E-27-10 COVER (VERTICAL TYPE)
-----------	-------------------------------



ZM30-E2710

Ref	Partnumber	Description	GX22	Serial Numbers	
001	18388-ZM5-A00	GUARD, DEFLECTOR	1		
002	19720-ZM3-810	COVER COMP., TOP	1		
002	19720-ZM3-810ZA	COVER COMP., TOP *R280 *	1	1827622	1913729
003	90112-GK8-010	BOLT, FLANGE, 5X22	2		
004	90201-ZM3-000	NUT, PLATE	1		
005	91502-ZM3-000	COLLAR, TOP COVER	2		
006	93891-0401000	SCREW-WASHER, 4X10	1		

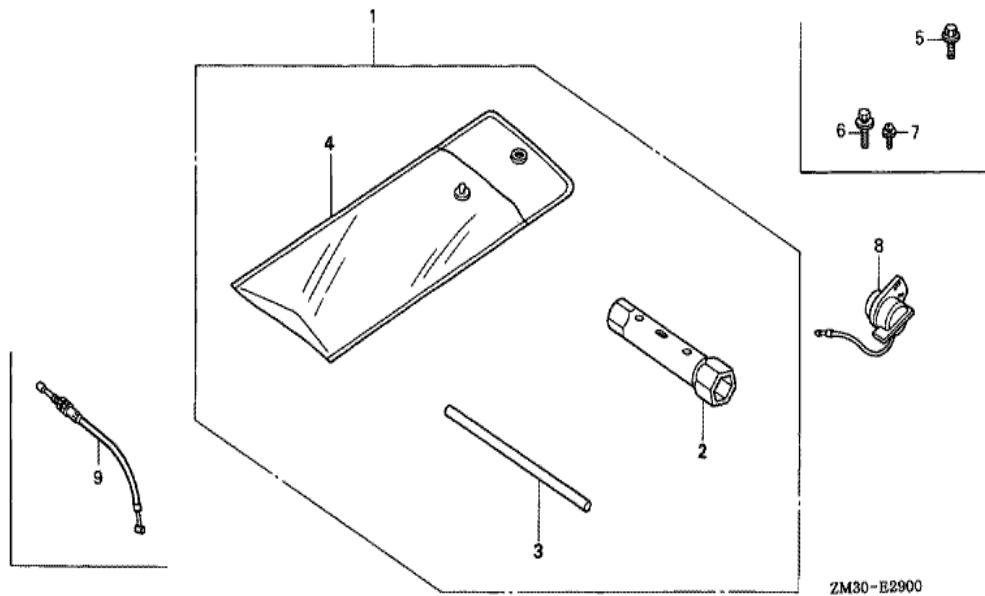
GX22(TJ5)	E-28-10 LABEL (VERTICAL TYPE)
-----------	-------------------------------



ZM30-E2810

Ref	Partnumber	Description	GX22	Serial Numbers
001	87521-ZM3-000	EMBLEM (GX22)	1	1271458
002	87601-ZM3-W90	MARK, TYPE (TJ5)	1	
003	87135-ZE2-000	LABEL, E-SPEC (HONDA) (EPA STANDARD) (15	1	1503215

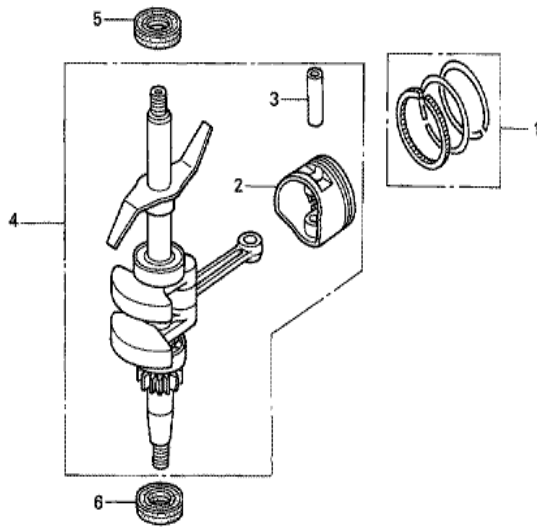
GX22(TJ5)	E-29 TOOL
-----------	-----------



Ref	Partnumber	Description	GX22	Serial Numbers
001	89000-ZM3-000	TOOL KIT	(1)	
002	89216-045-010	WRENCH, SPARK PLUG	(1)	
003	99005-01000	BAR A, HANDLE	(1)	
004	99008-01600	BAG, TOOL, 160MM	(1)	

GX22(TJ5)

E-7-10 PISTON/CRANKSHAFT (VERTICAL TYPE)

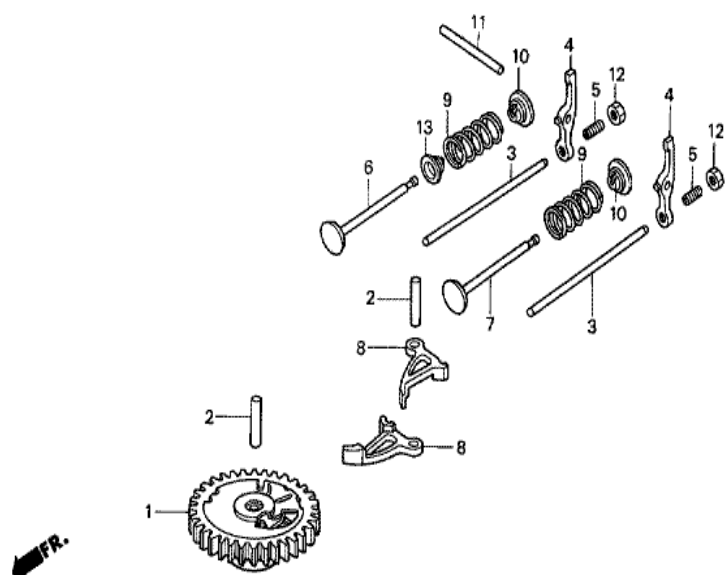


ZM30-E0710

Ref	Partnumber	Description	GX22	Serial Numbers
001	13010-ZM3-000	RING SET, PISTON	1	
002	13101-ZM3-030	PISTON	1	
003	13111-ZM3-000	PIN, PISTON	1	
004	13310-ZM3-040	CRANKSHAFT COMP.	1	
005	91213-ZM3-003	OIL SEAL, 12X25X6	1	
006	91214-ZM3-003	OIL SEAL, 15X25X6	1	

GX22(TJ5)

E-9-10 CAMSHAFT (VERTICAL TYPE)



ZM30-E0910A

Ref	Partnumber	Description	GX22	Serial Numbers
001	14100-ZM3-010	CAMSHAFT ASSY.	1	
002	14126-ZM3-000	ROLLER (5X23.8)	2	
003	14410-ZM3-000	ROD, PUSH	2	
004	14431-ZM3-000	ARM, VALVE ROCKER	2	
005	14451-ZM3-000	PIVOT, ROCKER ARM	2	
006	14711-ZM3-000	VALVE, IN.	1	
007	14721-ZM3-000	VALVE, EX.	1	
008	14731-ZM3-003	LIFTER, VALVE	2	
009	14751-ZM3-000	SPRING, VALVE	2	
010	14771-ZM3-010	RETAINER, VALVE SPRING	2	
011	41313-PL3-000	ROLLER, 4X28	1	
012	90206-ZM3-000	NUT, TAPPET ADJUSTING	2	
013	12209-ZM3-003	SEAL, VALVE STEM	1	1224445