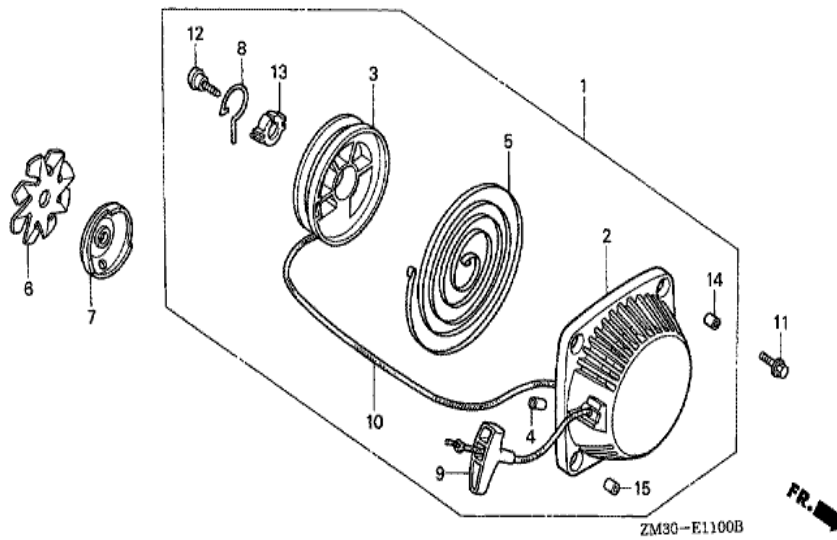


GX22(SAT)

E-11 RECOIL STARTER (HORIZONTAL TYPE)



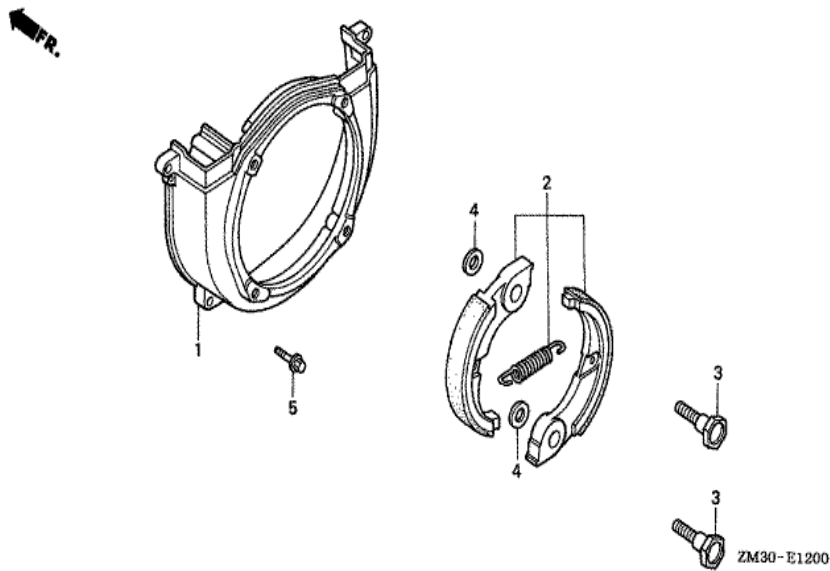
ZM30-E1100B

FR. →

<u>Ref</u>	<u>Partnumber</u>	<u>Description</u>	<u>GX22</u>	<u>Serial Numbers</u>
001	28400-ZM3-003ZA	STARTER ASSY., RECOIL *NH1 *	1	
002	28414-ZM3-003	CASE, RECOIL STARTER	1	
003	28421-ZM3-003	REEL, RECOIL STARTER	1	
004	28433-ZM3-003	GUIDE, ROPE	1	
005	28442-ZM3-003	SPRING, RECOIL STARTER	1	
006	28447-ZM3-000	FAN, RATCHET	1	
007	28451-ZM3-003	PULLEY, RECOIL STARTER	1	
008	28459-ZM3-003	ARM, SWING	1	
009	28461-ZM3-003	KNOB, RECOIL STARTER	1	
010	28462-ZM3-003	ROPE, RECOIL STARTER	1	
011	90005-ZM3-000	BOLT, FLANGE, 5X18	4	
012	90012-ZM3-003	SCREW, SETTING	1	
013	91504-ZM3-003	COLLAR	1	
<u>Ref</u>	<u>Partnumber</u>	<u>Description</u>	<u>GX22</u>	<u>Serial Numbers</u>
014	91505-ZM3-003	COLLAR	2	
015	91505-ZM3-003	COLLAR	2	

GX22(SAT)

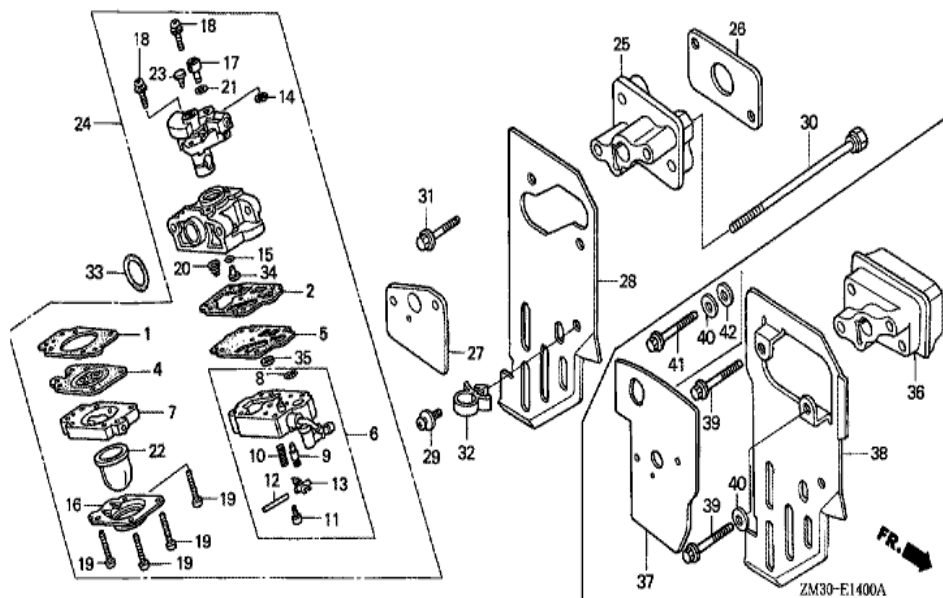
E-12 CLUTCH/FAN COVER (HORIZONTAL TYPE)



Ref	Partnumber	Description	GX22	Serial Numbers
001	19611-ZM3-000	COVER, FAN	1	
002	22000-ZM3-003	CLUTCH ASSY.	1	
003	22253-ZM3-003	BOLT, CLUTCH (6MM)	2	
004	22254-ZM3-003	WASHER, CLUTCH (6X15)	2	
005	90005-ZM3-000	BOLT, FLANGE, 5X18	2	

GX22(SAT)

E-14 CARBURETOR (HORIZONTAL TYPE)

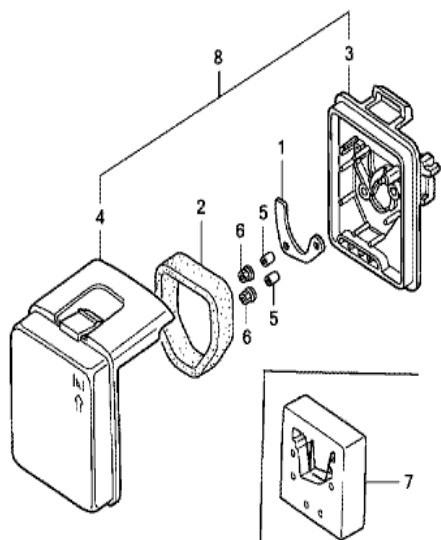


Ref	Partnumber	Description	GX22	Serial Numbers
001	16010-ZM3-004	GASKET, METERING DIAPHRAGM	1	
002	16011-ZM3-004	GASKET, PUMP	1	WYL 68
002	16011-ZM3-014	GASKET, PUMP	1	WYL 74A
004	16013-ZM3-004	DIAPHRAGM ASSY., METERING	1	
005	16014-ZM3-004	DIAPHRAGM, PUMP	1	
006	16015-ZM3-004	BODY ASSY., PUMP	1	WYL 135
006	16015-ZM3-802	BODY ASSY., PUMP	1	WYL 97
007	16017-ZM3-004	BODY ASSY., AIR PURGE	1	
008	16018-ZM3-004	SCREEN, INLET	1	WYL 68A
008	16018-ZM3-802	SCREEN, INLET	1	WYL 97
009	16019-ZM3-004	VALVE, INLET NEEDLE	1	
010	16020-ZM3-004	SPRING, METERING LEVER	1	
011	16021-ZM3-004	SCREW, METERING LEVER PIN	1	

<u>Ref</u>	<u>Partnumber</u>	<u>Description</u>	<u>GX22</u>	<u>Serial Numbers</u>	
012	16022-ZM3-004	PIN, METERING LEVER	1		
013	16023-ZM3-004	LEVER, METERING	1		
014	16024-ZM3-004	RING, SPRING RETAINING	1		
015	16025-ZM3-004	O-RING	1		
016	16026-ZM3-004	COVER, PRIMER PUMP	1		
017	16027-ZM3-004	SWIVEL	1		
018	16028-ZM3-004	SCREW, THROTTLE COLLAR	2		
019	16029-ZM3-004	SCREW, PUMP COVER	4		
020	16030-ZM3-004	SPRING, PUMP	1		
021	16031-ZM3-004	WASHER	1		
022	16032-ZM3-004	PUMP, PRIMER	1		
024	16100-ZM3-803	CARBURETOR ASSY. (WYL 67)	1	1057792	1129972
024	16100-ZM3-804	CARBURETOR ASSY. (WYL 67A)	1	1129973	1143666
024	16100-ZM3-805	CARBURETOR ASSY. (WYL 96)	1	1143667	1205100
024	16100-ZM3-806	CARBURETOR ASSY. (WYL 126)	1		
025	16211-ZM3-000	INSULATOR, CARBURETOR	1		1412244
026	16212-ZM3-000	PACKING, INSULATOR	1		
027	16221-ZM3-000	PACKING, CARBURETOR	1		1143666
028	19651-ZM3-000	GUIDE, AIR INLET	1		1412244
029	93894-0501000	SCREW-WASHER, 5X10	1		
030	90010-ZM3-000	BOLT, HEX., 5X75	2		
031	90112-GK8-010	BOLT, FLANGE, 5X22	2		1432054
032	90659-680-013	CLIP, WIRE HARNESS	1		
033	91301-ZM3-000	O-RING, 14.8X2.4	1		
034	99101-ZM30310	JET (#31.5)	(1)	WYL 131	
034	99101-ZM30320	JET (#32.5)	(1)	WYL 128	
034	99101-ZM30330	JET (#33.5)	(1)	WYL 135	
034	99101-ZM30350	JET (#35.5)	(1)		WYL 62A
034	99101-ZM30360	JET (#36)	1		WYL 67
034	99101-ZM30360	JET (#36)	1		
034	99101-ZM30370	JET (#37)	(1)	WYL 67A	WYL 96
034	99101-ZM30380	JET (#38)	1	WYL 67A	WYL 96
035	16035-ZM3-802	FILTER, FUEL INLET	1	WYL 97	
<u>Ref</u>	<u>Partnumber</u>	<u>Description</u>	<u>GX22</u>	<u>Serial Numbers</u>	
036	16211-ZM3-700	INSULATOR, CARBURETOR	1	1205101	
037	16221-ZM3-G10	PACKING, CARBURETOR	1	1196965	
038	19651-ZM3-U30	GUIDE, AIR INLET	1	1432055	
039	90112-ZM3-U30	BOLT, FLANGE, 5X32	2	1432055	

GX22(SAT)

E-15 AIR CLEANER (HORIZONTAL TYPE)

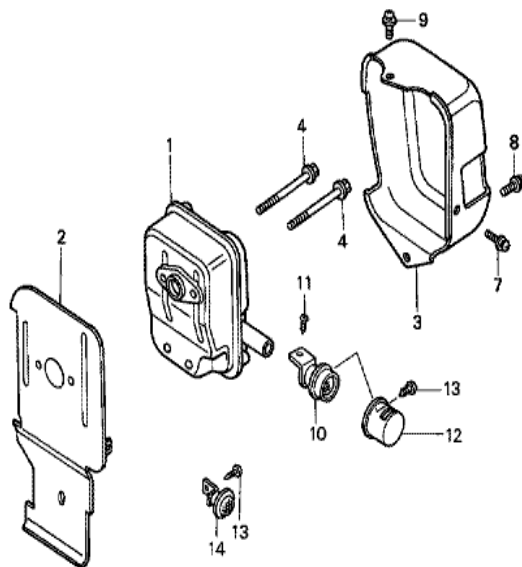


ZM30E1600A

Ref	Partnumber	Description	GX22	Serial Numbers
001	17204-ZM3-000	PLATE, OIL TRAP	1	
002	17211-ZM3-000	ELEMENT, AIR CLEANER	1	
003	17220-ZM3-010ZA	CASE COMP., AIR CLEANER *R8 *	1	1207879 1272858
003	17220-ZM3-010ZD	CASE COMP., AIR CLEANER *R291R *	1	1272859
004	17231-ZM3-010ZA	COVER, AIR CLEANER *R8 *	1	1465506 1795279
004	17231-ZM3-010ZD	COVER, AIR CLEANER *R291R *	1	1795280
005	91503-ZM3-000	COLLAR, AIR CLEANER	2	
006	94050-05000	NUT, FLANGE, 5MM	2	
008	04105-ZM3-G00ZC	CASE SET, AIR CLEANER *R280*	1	1207878

GX22(SAT)

E-16 MUFFLER (HORIZONTAL TYPE)

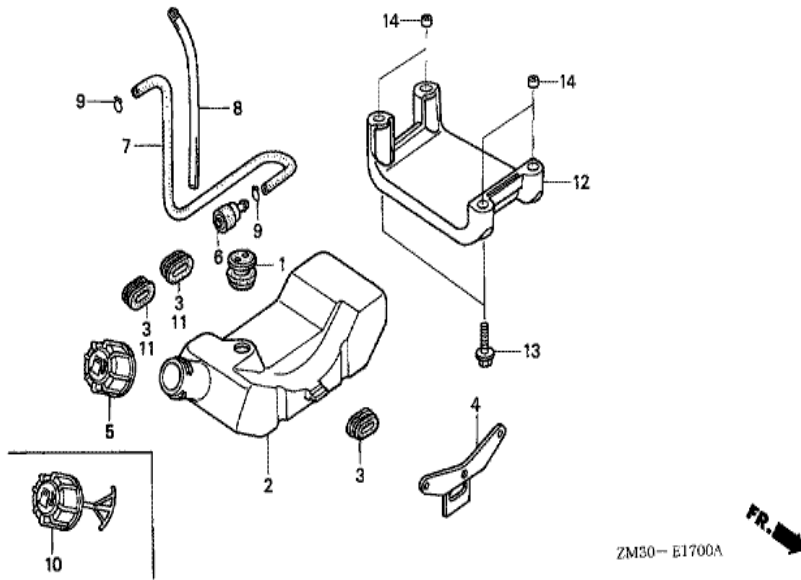


ZM30-E1600A



Ref	Partnumber	Description	GX22	Serial Numbers
001	18310-ZM3-800	MUFFLER COMP.	1	1057792
003	19722-ZM3-810	INNER COVER, TOP	1	
004	90004-ZM3-000	BOLT, FLANGE, 5X50	2	
007	93891-0500800	SCREW-WASHER, 5X8	1	
008	93894-0501000	SCREW-WASHER, 5X10	1	
009	93894-0501600	SCREW-WASHER, 5X16	1	
013	90055-ZE1-000	SCREW, TAPPING, 4X6	1	1057792
014	18355-ZM3-801	ARRESTER, SPARK	1	1057792

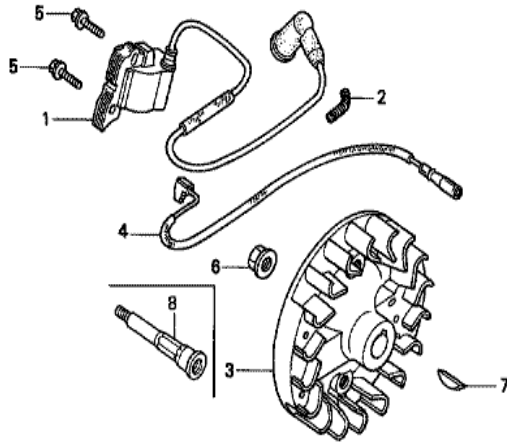
GX22(SAT)	E-17 FUEL TANK (HORIZONTAL TYPE)
-----------	----------------------------------



Ref	Partnumber	Description	GX22	Serial Numbers
001	17504-ZM3-003	GROMMET, FUEL TUBE	1	
002	17511-ZM3-003	TANK, FUEL	1	
003	17532-ZM3-000	RUBBER A, TANK MOUNTING	1	1057791
003	17532-ZM3-010	RUBBER A, TANK MOUNTING	1	1057792
004	17561-ZM3-000	STAY, FUEL TANK	1	
004	17561-ZM3-010	STAY, FUEL TANK	1	1057792
005	17620-ZM3-043	CAP ASSY., FUEL TANK	1	
006	17672-ZM3-003	FILTER, FUEL	1	2168923
007	17701-ZM3-003	TUBE, FUEL	1	
008	17702-ZM3-003	TUBE, FUEL RETURN	1	
009	91401-ZM3-003	CLIP, TUBE	2	
011	17532-ZM3-000	RUBBER A, TANK MOUNTING	2	1057791
011	17533-ZM3-000	RUBBER B, TANK MOUNTING	2	1057792

GX22(SAT)

E-19 FLYWHEEL/IGNITION COIL (HORIZONTAL TYPE)



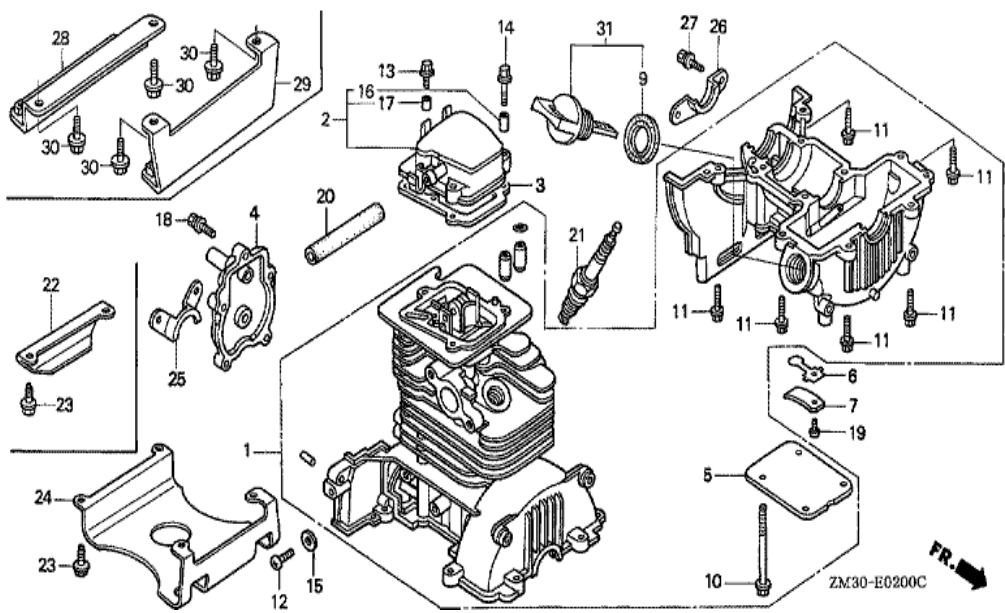
ZM30-E1900A



Ref	Partnumber	Description	GX22	Serial Numbers
001	30500-ZM3-003	COIL ASSY., IGNITION	1	
002	30519-ZM3-000	TUBE A, CORRUGATED (7X18)	1	
003	31110-ZM3-003	FLYWHEEL COMP.	1	1057791
003	31110-ZM3-013	FLYWHEEL COMP.	1	
004	32195-ZM3-000	CORD, STOP SWITCH	1	
005	93401-0501600	BOLT-WASHER, 5X16	2	
006	94050-08000	NUT, FLANGE, 8MM	1	1057791
006	94050-10000	NUT, FLANGE, 10MM	1	1057792
007	94401-16120	KEY, WOODRUFF, 16X12	1	

GX22(SAT)

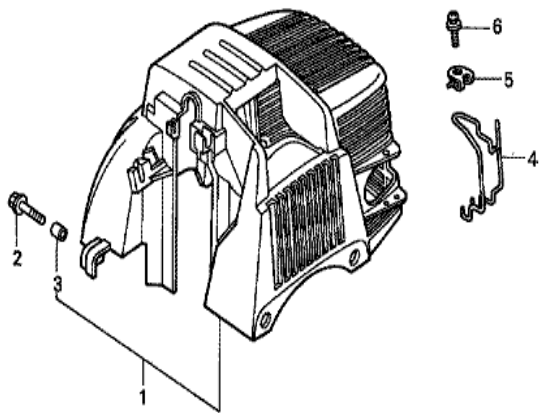
E-2 CYLINDER HEAD COVER/ CRANKCASE SET (1)



Ref	Partnumber	Description	GX22	Serial Numbers
001	11010-ZM3-020	CRANKCASE SET	1	1205100
001	11010-ZM3-030	CRANKCASE SET	1	1205101 1224524
001	11010-ZM3-040	CRANKCASE SET	1	1224525 1227310
001	11010-ZM3-050	CRANKCASE SET	1	1227311
002	12310-ZM3-000	COVER COMP., HEAD	1	1057791
002	12310-ZM3-003	COVER COMP., HEAD	1	1140428
002	12310-ZM3-010	COVER COMP., HEAD	1	1140427
003	12312-ZM3-020	PACKING, HEAD COVER	1	
004	14121-ZM3-000	COVER, CAMSHAFT	1	1138646
004	14121-ZM3-010	COVER, CAMSHAFT	1	1138647
005	15511-ZM3-000	COVER, OIL OUTLET VALVE	1	
006	15571-ZM3-003	VALVE, OIL OUTLET	1	
007	15572-ZM3-000	PLATE, STOPPER	1	

<u>Ref</u>	<u>Partnumber</u>	<u>Description</u>	<u>GX22</u>	<u>Serial Numbers</u>
009	15625-ZE1-003	PACKING, OIL FILLER CAP	1	
010	90003-ZM3-000	BOLT, FLANGE, 5X55	4	
011	90005-ZM3-000	BOLT, FLANGE, 5X18	6	
012	90011-ZM3-000	SCREW, PAN, 6X8	1	
013	90002-ZM3-000	BOLT, FLANGE, 5X14	1	1057792
013	90101-P4V-000	BOLT, FLANGE, 5X12	1	1040026
014	90001-ZM3-000	BOLT, FLANGE, 5X22	2	1057792
014	90112-GK8-010	BOLT, FLANGE, 5X22	2	1040026
015	90481-GW3-000	WASHER, SEALING, 6.5MM	1	
016	91501-ZM3-000	COLLAR, HEAD COVER	2	1057791
016	91501-ZM3-010	COLLAR, HEAD COVER	2	
017	91502-ZM3-000	COLLAR, TOP COVER	1	1057791
017	91506-ZM3-000	COLLAR A, HEAD COVER	1	
018	93401-0401600	BOLT-WASHER, 4X16	5	
019	93500-030050A	SCREW, PAN, 3X5	1	
020	95005-7006830	TUBE, 7X68 (95005-70001-30M)	1	
021	98056-55757	PLUG, SPARK (U16FSR-UB)	1	
021	98056-55777	PLUG, SPARK (CR5HSB)	1	1179747
022	51511-VF9-000	STAND	1	1064691
023	90003-892-000	BOLT, FLANGE, 5X12	2	1064691
023	90003-892-000	BOLT, FLANGE, 5X12	4	1064692
024	17557-VF9-A00	GUARD, TANK	1	1064692
025	11113-ZM3-000	GUARD A, GRASS	1	1193156
026	11114-ZM3-000	GUARD B, GRASS	1	
027	93401-0401000	BOLT-WASHER, 4X10	2	1193156
031	15600-ZM3-003	CAP ASSY., OIL FILLER	1	

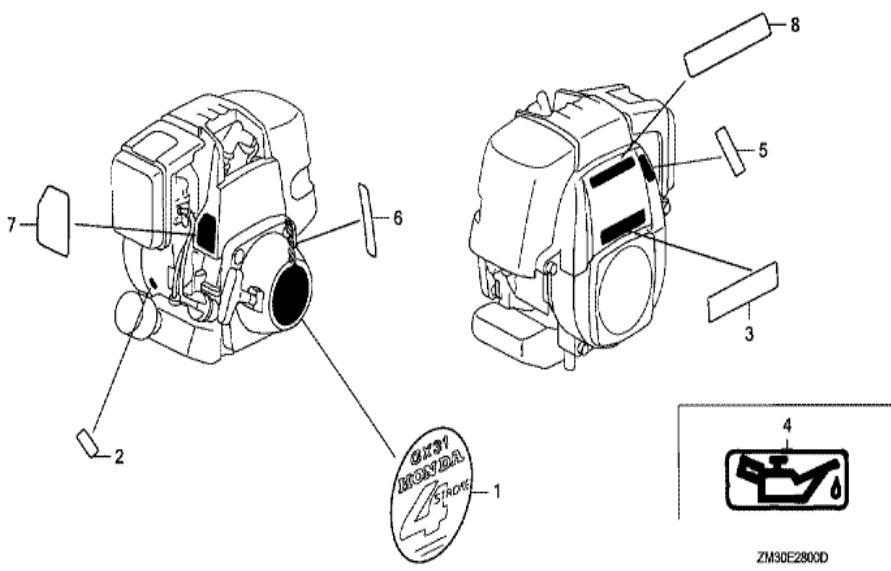
GX22(SAT)	E-27 COVER (HORIZONTAL TYPE)
-----------	------------------------------



ZM30-E2700 **FR.** →

Ref	Partnumber	Description	GX22	Serial Numbers
001	19720-ZM3-000ZA	COVER COMP., TOP *R8 *	1	1271458
001	19720-ZM3-000ZB	COVER COMP., TOP *R280 *	1	1795280
002	90112-GK8-010	BOLT, FLANGE, 5X22	2	
003	91502-ZM3-000	COLLAR, TOP COVER	2	

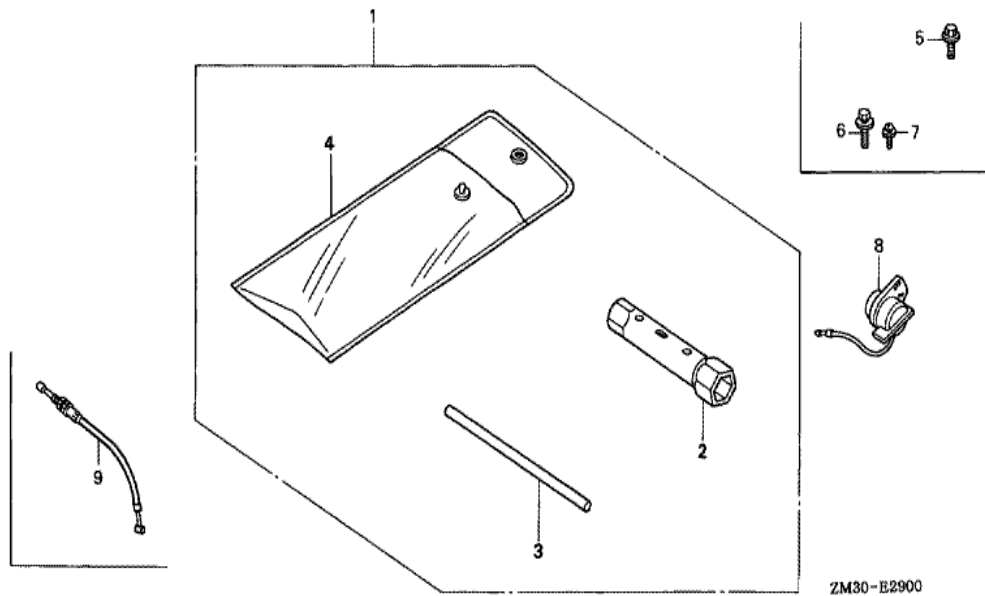
GX22(SAT)	E-28 LABEL (HORIZONTAL TYPE)
-----------	------------------------------



ZM30E2800D

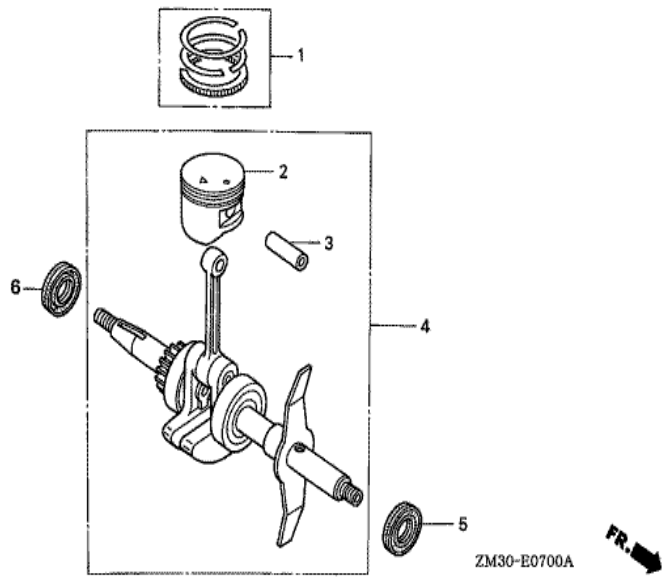
Ref	Partnumber	Description	GX22	Serial Numbers
001	87521-ZM3-000	EMBLEM (GX22)	1	1271458
001	87521-ZM3-K41	EMBLEM (GX22)	1	1271459
002	87601-ZM3-780	MARK, TYPE (SAT)	1	
002	87601-ZM3-800	MARK, TYPE (SA)	1	1057791

GX22(SAT)	E-29 TOOL
-----------	-----------



Ref	Partnumber	Description	GX22	Serial Numbers
001	89000-ZM3-000	TOOL KIT	(1)	
002	89216-045-010	WRENCH, SPARK PLUG	(1)	
003	99005-01000	BAR A, HANDLE	(1)	
004	99008-01600	BAG, TOOL, 160MM	(1)	

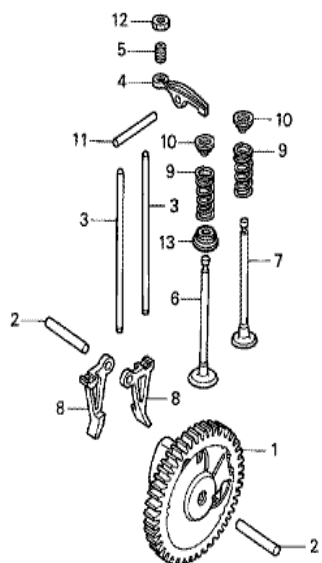
GX22(SAT)	E-7 PISTON/CRANKSHAFT (HORIZONTAL TYPE)
-----------	---



Ref	Partnumber	Description	GX22	Serial Numbers
001	13010-ZM3-000	RING SET, PISTON	1	
002	13101-ZM3-030	PISTON	1	
003	13111-ZM3-000	PIN, PISTON	1	
004	13310-ZM3-000	CRANKSHAFT COMP.	1	1057791
004	13310-ZM3-040	CRANKSHAFT COMP.	1	1057792
005	91213-ZM3-003	OIL SEAL, 12X25X6	1	
006	91213-ZM3-003	OIL SEAL, 12X25X6	1	1057791
006	91214-ZM3-003	OIL SEAL, 15X25X6	1	1057792

GX22(SAT)

E-9 CAMSHAFT (HORIZONTAL TYPE)



ZM30-B0900



<u>Ref</u>	<u>Partnumber</u>	<u>Description</u>	<u>GX22</u>	<u>Serial Numbers</u>
001	14100-ZM3-010	CAMSHAFT ASSY.	1	
002	14126-ZM3-000	ROLLER (5X23.8)	2	
003	14410-ZM3-000	ROD, PUSH	2	
004	14431-ZM3-000	ARM, VALVE ROCKER	2	
005	14451-ZM3-000	PIVOT, ROCKER ARM	2	
006	14711-ZM3-000	VALVE, IN.	1	
007	14721-ZM3-000	VALVE, EX.	1	
008	14731-ZM3-003	LIFTER, VALVE	2	
009	14751-ZM3-000	SPRING, VALVE	2	
010	14771-ZM3-010	RETAINER, VALVE SPRING	2	
011	41313-PL3-000	ROLLER, 4X28	1	
012	90206-ZM3-000	NUT, TAPPET ADJUSTING	2	
013	12209-ZM3-003	SEAL, VALVE STEM	1	1224445 1227310
<u>Ref</u>	<u>Partnumber</u>	<u>Description</u>	<u>GX22</u>	<u>Serial Numbers</u>
013	12209-ZM3-013	SEAL, VALVE STEM	1	1227311