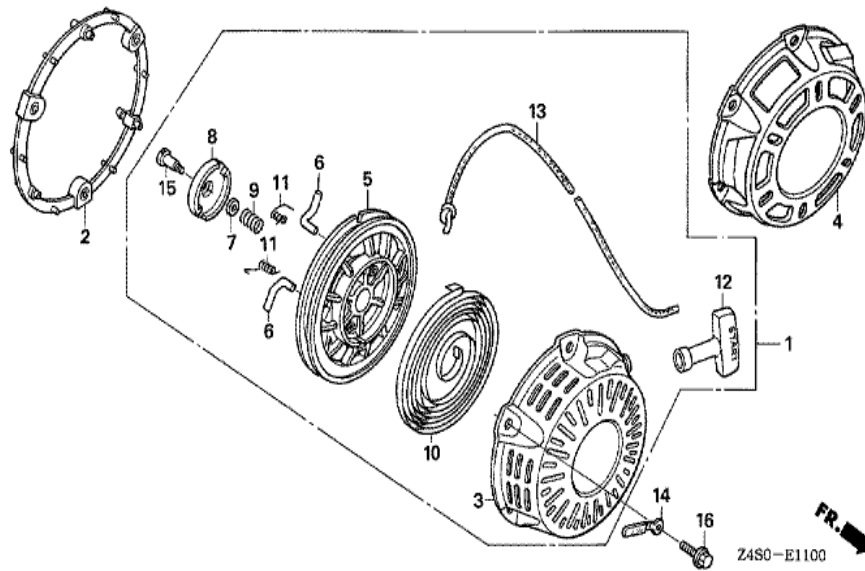


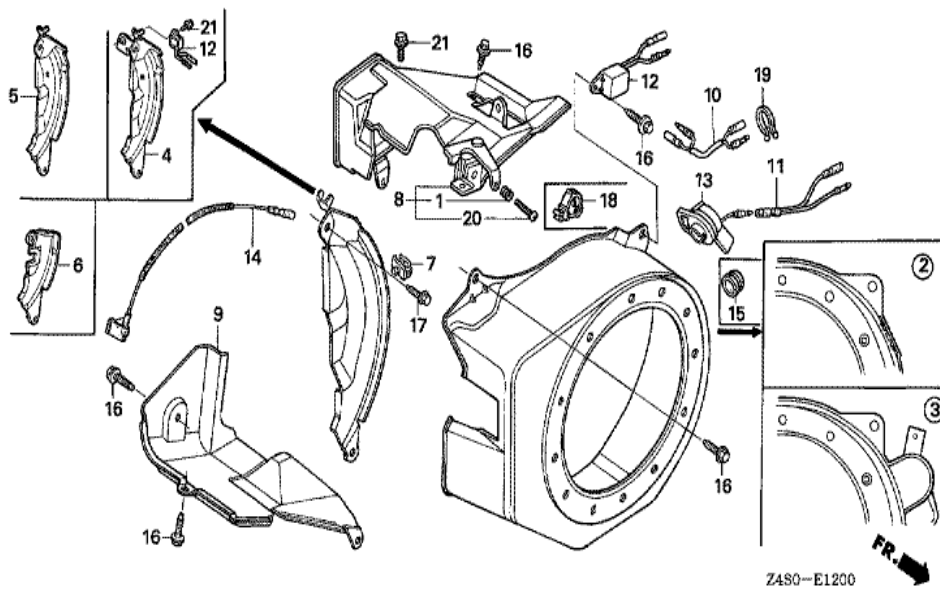
GX200U(HX2)

E-11 RECOIL STARTER



Ref	Partnumber	Description	GX200U	Serial Numbers
001	28400-ZH8-023YA	STARTER ASSY., RECOIL *R280 *	1	1052126
001	28400-ZH8-023ZB	STARTER ASSY., RECOIL *NH1 *	1	
001	28400-ZH8-023ZB	STARTER ASSY., RECOIL *NH1 *	1	1052126
001	28400-ZH8-033YA	STARTER ASSY., RECOIL *R280*	1	1052127
001	28400-ZH8-033ZB	STARTER ASSY., RECOIL *NH1*	1	1052127
002	28405-ZL0-000ZA	SPACER, RECOIL STARTER MOUNTING *	1	
002	28405-ZL0-000ZD	SPACER, RECOIL STARTER MOUNTING *	1	
002	28405-ZL0-000ZD	SPACER, RECOIL STARTER MOUNTING *	1	
003	28410-ZH8-003YA	CASE COMP., RECOIL STARTER *R280 *	1	
003	28410-ZH8-003ZB	CASE COMP., RECOIL STARTER *NH1 *	1	
003	28410-ZH8-003ZB	CASE COMP., RECOIL STARTER *NH1 *	1	
005	28421-ZH8-801	REEL, RECOIL STARTER (BLACK)	1	
006	28422-ZH8-801	RATCHET, STARTER	2	
Ref	Partnumber	Description	GX200U	Serial Numbers
007	28431-ZH8-801	PLATE, FRICTION	1	
008	28433-ZH8-801	GUIDE, RATCHET	1	
009	28441-ZH8-801	SPRING, FRICTION	1	
010	28442-ZH8-003	SPRING, RECOIL STARTER	1	
011	28443-ZH8-801	SPRING, RETURN	2	
012	28461-ZH8-003	GRIP, STARTER	1	1052126
012	28461-ZH8-013	KNOB, RECOIL STARTER	1	1052127
013	28462-ZH8-003	ROPE, RECOIL STARTER	1	
015	90003-ZH8-801	SCREW, SETTING	1	
016	95701-0601800	BOLT, FLANGE, 6X18	3	

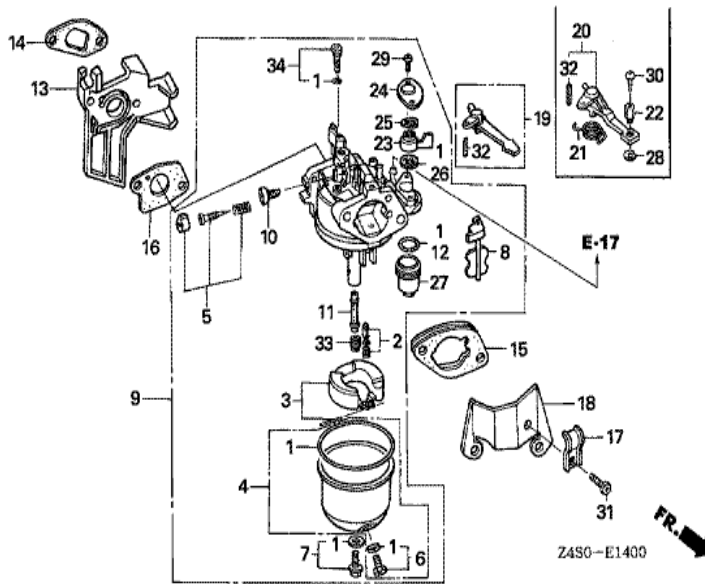
GX200U(HX2)	E-12 FAN COVER
-------------	----------------



<u>Ref</u>	<u>Partnumber</u>	<u>Description</u>	<u>GX200U</u>	<u>Serial Numbers</u>
002	19610-ZL0-000ZA	COVER COMP., FAN *NH246 *	1	
002	19610-ZL0-000ZJ	COVER COMP., FAN *R280 *	1	
002	19610-ZL0-000ZJ	COVER COMP., FAN *R280 *	1	
004	19611-ZH8-810	PLATE COMP., SIDE (OIL ALERT)	1	
009	19630-ZH8-000	SHROUD COMP.	1	
012	34150-ZH7-003	ALERT UNIT, OIL	1	1033114
012	34150-ZH7-013	ALERT UNIT, OIL	1	
012	34150-ZH7-013	ALERT UNIT, OIL	1	1033115
013	36100-ZF6-P81	SWITCH ASSY., ENGINE STOP	1	1031487
013	36100-ZF6-P81	SWITCH ASSY., ENGINE STOP	1	1031487
013	36100-ZF6-P82	SWITCH ASSY., ENGINE STOP	1	
013	36100-ZF6-P82	SWITCH ASSY., ENGINE STOP	1	1031488
014	36101-ZE1-010	CORD, STOP SWITCH (370MM)	1	
<u>Ref</u>	<u>Partnumber</u>	<u>Description</u>	<u>GX200U</u>	<u>Serial Numbers</u>
014	36101-ZE1-010	CORD, STOP SWITCH (370MM)	1	
016	90013-883-000	BOLT, FLANGE, 6X12 (CT200)	6	
017	90022-888-010	BOLT, FLANGE, 6X20 (CT200)	1	
018	90601-ZH7-013	CLIP, HARNESS	1	
021	95701-0600800	BOLT, FLANGE, 6X8	1	

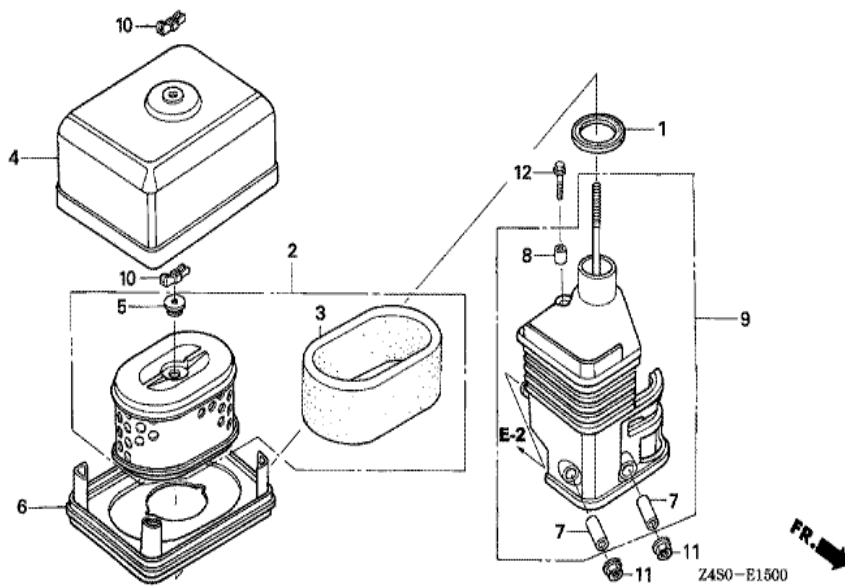
GX200U(HX2)

E-14 CARBURETOR (1)



Ref	Partnumber	Description	GX200U	Serial Numbers
001	16010-ZE1-812	GASKET SET	1	
002	16011-ZE0-005	VALVE SET, FLOAT	1	
003	16013-ZE0-005	FLOAT SET	1	
004	16015-ZE0-831	CHAMBER SET, FLOAT	1	
005	16016-ZH7-W01	SCREW SET, PILOT	1	
006	16024-ZE1-811	SCREW SET, DRAIN	1	
007	16028-ZE0-005	SCREW SET	1	
008	16044-ZE0-005	CHOKE SET	1	
009	16100-ZL0-W51	CARBURETOR ASSY. (BE64B B/C)	1	
009	16100-ZL0-W51	CARBURETOR ASSY. (BE64B B/C)	1	
010	16124-ZE0-005	SCREW, THROTTLE STOP	1	
011	16166-ZL0-000	NOZZLE, MAIN	1	
012	16173-001-004	PACKING, FUEL STRAINER CUP	1	
Ref	Partnumber	Description	GX200U	Serial Numbers
013	16211-ZL0-000	INSULATOR, CARBURETOR	1	
014	16212-ZH8-800	PACKING, INSULATOR	1	
015	16220-ZE1-020	SPACER COMP., CARBURETOR	1	
016	16221-ZH8-801	PACKING, CARBURETOR	1	
019	16610-ZE1-000	LEVER COMP., CHOKE (STD.)	1	
023	16953-ZE1-812	LEVER, COCK	1	
024	16954-ZE1-812	PLATE, LEVER SETTING	1	
025	16956-ZE1-811	SPRING, COCK LEVER	1	
026	16957-ZE1-812	PACKING, FUEL COCK	1	
027	16967-ZE0-811	CUP, FUEL STRAINER	1	
029	93500-030061H	SCREW, PAN, 3X6	2	
032	94305-20122	PIN, SPRING, 2X12	1	
033	99101-ZH80680	JET, MAIN, #68	(1)	
033	99101-ZH80700	JET, MAIN, #70	(1)	
033	99101-ZH80700	JET, MAIN, #70	(1)	
033	99101-ZH80720	JET, MAIN, #72	(1)	
033	99101-ZH80720	JET, MAIN, #72	1	
034	99204-ZA00450	JET SET, PILOT, #45	1	

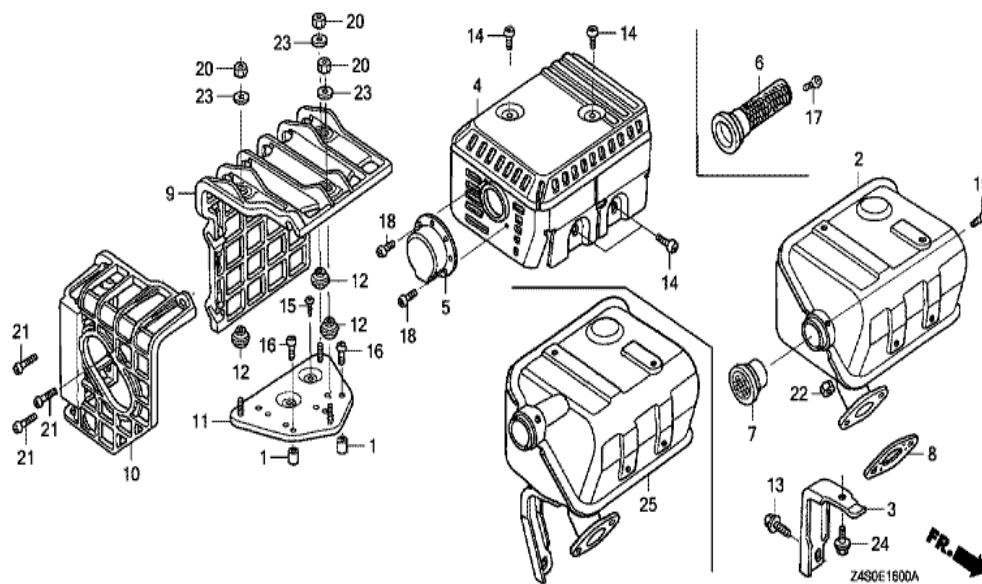
GX200U(HX2)	E-15 AIR CLEANER (DUAL)
-------------	-------------------------



Ref	Partnumber	Description	GX200U	Serial Numbers
001	16271-ZE1-000	PACKING, ELBOW	1	
002	17210-ZE1-822	ELEMENT, AIR CLEANER (DUAL)	1	
003	17218-ZE1-821	FILTER, OUTER	1	
004	17230-ZE1-820	COVER, AIR CLEANER (DUAL)	1	
005	17232-891-000	GROMMET, AIR CLEANER	1	
006	17235-ZE1-831	NOSE, SILENCER	1	
007	17238-ZE7-010	COLLAR, AIR CLEANER	2	
008	17239-ZE1-000	COLLAR B, AIR CLEANER	1	
009	17410-ZE1-020	ELBOW COMP., AIR CLEANER	1	
010	90325-044-000	NUT, TOOL BOX SETTING	2	
011	94050-06000	NUT, FLANGE, 6MM	2	
012	95701-0602000	BOLT, FLANGE, 6X20	1	

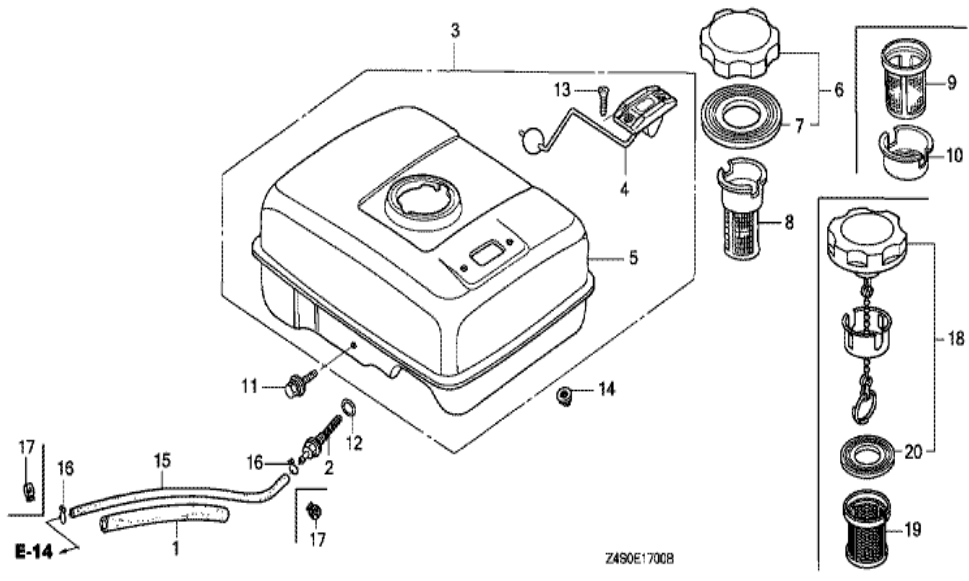
GX200U(HX2)

E-16 MUFFLER



Ref	Partnumber	Description	GX200U	Serial Numbers
002	18310-ZL0-000	MUFFLER COMP.	(1)	
002	18310-ZL0-000	MUFFLER COMP.	1	
003	18315-ZE1-000	STAY, MUFFLER	1	
004	18320-ZF1-H51	PROTECTOR, MUFFLER (SILENT)	1	
004	18320-ZF1-H51	PROTECTOR, MUFFLER (SILENT)	1	
006	18355-ZL0-000	ARRESTER, SPARK	1	
006	18355-ZL0-000	ARRESTER, SPARK	(1)	
007	18361-ZL0-000	NETTING, WIRE FLANGE	1	
008	18381-ZH8-800	GASKET, MUFFLER	1	
013	90016-ZE1-000	BOLT, FLANGE, 6X13 (CT200)	1	
014	90050-ZE1-000	SCREW, TAPPING, 5X8	4	
017	90055-ZE1-000	SCREW, TAPPING, 4X6	1	
017	90055-ZE1-000	SCREW, TAPPING, 4X6	(1)	
Ref	Partnumber	Description	GX200U	Serial Numbers
019	90056-ZL0-000	SCREW, TAPPING, 4X6	1	
022	94001-080000S	NUT, HEX., 8MM	2	
024	95701-0601200	BOLT, FLANGE, 6X12	1	

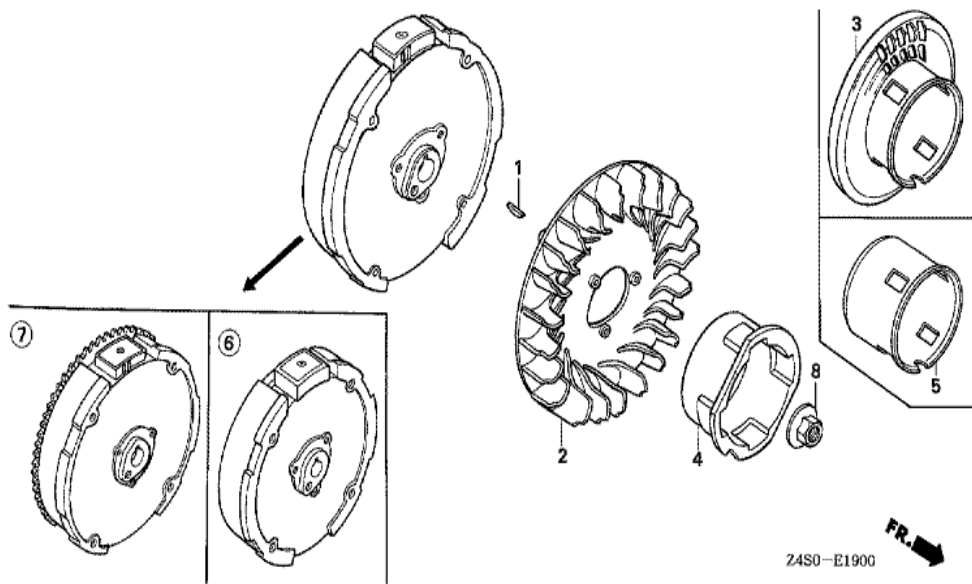
GX200U(HX2)	E-17 FUEL TANK (1)
-------------	--------------------



Ref	Partnumber	Description	GX200U	Serial Numbers
001	16854-ZH8-000	RUBBER, SUPPORTER (107MM)	1	
002	16955-ZE1-000	JOINT, FUEL TANK	1	
005	17510-ZE1-020ZA	TANK COMP., FUEL *NH31 *	1	
005	17510-ZE1-020ZA	TANK COMP., FUEL *NH31 *	1	1030772
005	17510-ZE1-020ZF	TANK COMP., FUEL *NH1 *	1	1030772
005	17510-ZE1-020ZF	TANK COMP., FUEL *NH1 *	1	1030772
005	17510-ZE1-030ZA	TANK COMP., FUEL *NH31 *	1	1030773
005	17510-ZE1-030ZA	TANK COMP., FUEL *NH31 *	1	1030773
005	17510-ZE1-030ZF	TANK COMP., FUEL *NH1 *	1	1030773
005	17510-ZE1-030ZF	TANK COMP., FUEL *NH1 *	1	1030773
006	17620-Z0T-305	CAP COMP., FUEL FILLER (CHROME PLATED)	1	1026116
007	17631-Z0T-812	PACKING, FUEL FILLER CAP (39X62X3) (TOUY	1	1026116
011	90004-ZL0-003	BOLT, FLANGE, 6X34	1	

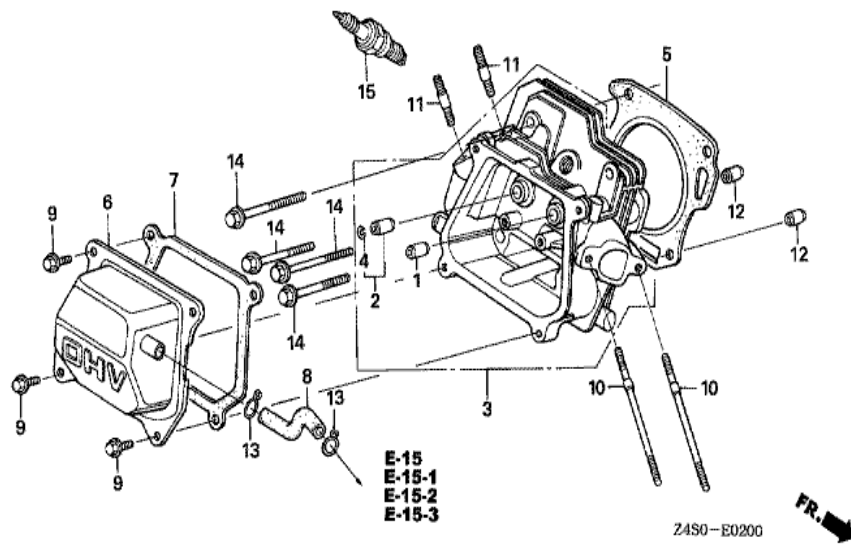
<u>Ref</u>	<u>Partnumber</u>	<u>Description</u>	<u>GX200U</u>	<u>Serial Numbers</u>
012	91353-671-004	O-RING, 14MM (NOK)	1	
014	94050-06000	NUT, FLANGE, 6MM	2	
015	91424-Z4F-801	TUBE, FUEL, 4.5X140 (FKM)	1	1007384
015	91424-Z4F-801	TUBE, FUEL, 4.5X140 (FKM)	1	1007384 1046268
015	91424-Z4F-802	TUBE, FUEL, 4.5X140 (FKM)	1	1046269
015	91424-Z4F-802	TUBE, FUEL, 4.5X140 (FKM)	1	1046269
015	95001-4514040	TUBE, FUEL, 4.5X140 (95001-45001-60M)	1	1007383
015	95001-4514040	TUBE, FUEL, 4.5X140 (95001-45001-60M)	1	1007383
016	95002-02080	CLIP, TUBE (B8)	2	1007060
016	95002-02080	CLIP, TUBE (B8)	2	1007383
017	95002-4080008	CLAMP, TUBE (D8)	2	
017	95002-4080008	CLAMP, TUBE (D8)	2	1007384
018	17620-Z4H-000	CAP COMP., FUEL FILLER (CHROME PLATED)	1	1026117
018	17620-Z4H-000	CAP COMP., FUEL FILLER (CHROME PLATED)	1	1026117 1038715
018	17620-Z4H-010	CAP COMP., FUEL FILLER (CHROME PLATED)	1	1038716 1040869
018	17620-Z4H-010	CAP COMP., FUEL FILLER (CHROME PLATED)	1	1038716 1040869
018	17620-Z4H-020	CAP COMP., FUEL FILLER	1	
018	17620-Z4H-020	CAP COMP., FUEL FILLER	1	1040870
020	17631-Z0T-801	PACKING, FUEL FILLER CAP (39X62X3) (RADI	1	
020	17631-Z0T-801	PACKING, FUEL FILLER CAP (39X62X3) (RADI	1	1026117 1038715
020	17631-Z0T-801	PACKING, FUEL FILLER CAP (39X62X3) (RADI	1	1040870
020	17631-Z4H-800	PACKING, FUEL FILLER CAP (39X62X3)	1	1038716 1040869
020	17631-Z4H-800	PACKING, FUEL FILLER CAP (39X62X3)	1	1038716 1040869

GX200U(HX2)	E-19 FLYWHEEL
-------------	---------------



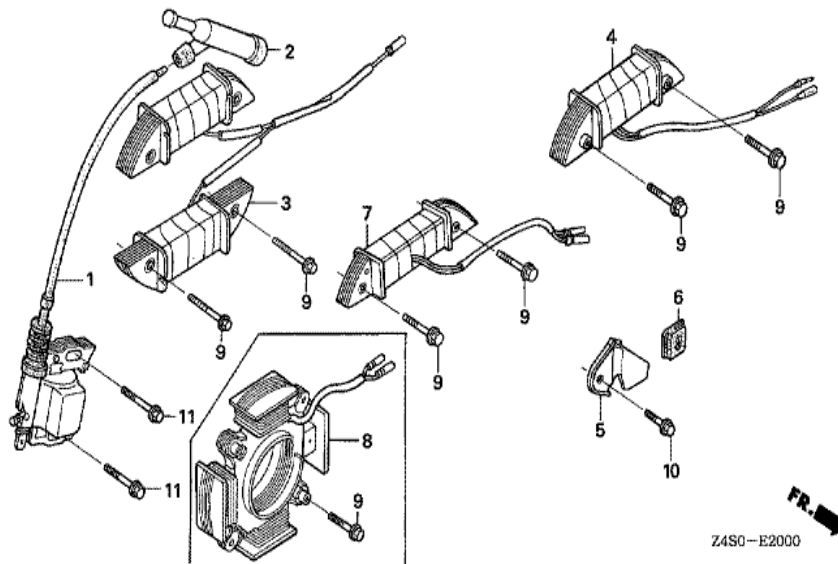
Ref	Partnumber	Description	GX200U	Serial Numbers
001	13331-357-000	KEY, SPECIAL WOODRUFF, 25X18	1	
002	19511-ZE1-000	FAN, COOLING	1	
005	28451-ZL0-801	PULLEY, STARTER	1	
006	31100-ZE7-010	FLYWHEEL COMP. (STD.)	1	
008	90201-878-003	NUT, SPECIAL, 14MM	1	

GX200U(HX2)	E-2 CYLINDER HEAD
-------------	-------------------



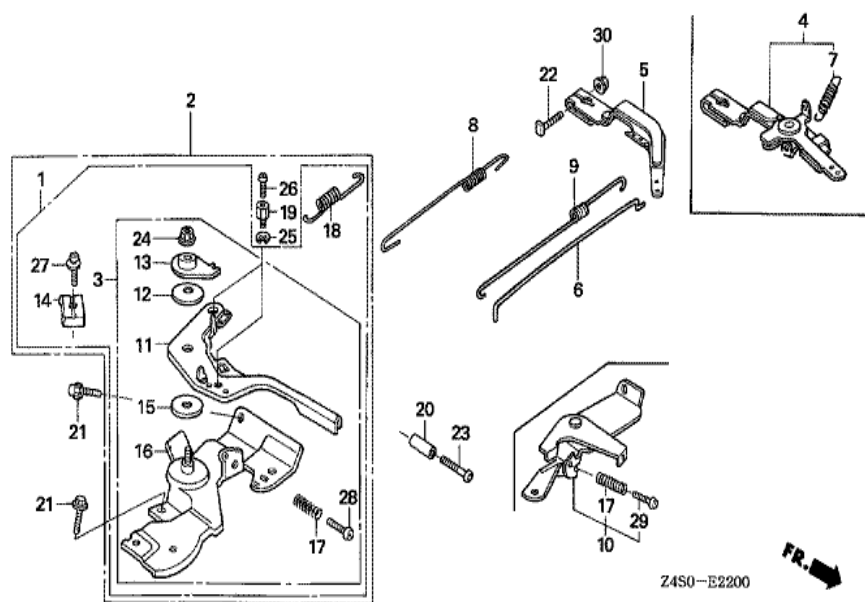
<u>Ref</u>	<u>Partnumber</u>	<u>Description</u>	<u>GX200U</u>	<u>Serial Numbers</u>
001	12204-ZE1-306	GUIDE, IN. VALVE (OS)	(1)	
002	12205-ZE1-315	GUIDE, EX. VALVE (OS)	(1)	
003	12210-ZL0-405	HEAD COMP., CYLINDER	1	
003	12210-ZL0-405	HEAD COMP., CYLINDER	1	1001673
003	12210-ZL0-415	HEAD COMP., CYLINDER	1	1001674
003	12210-ZL0-415	HEAD COMP., CYLINDER	1	1001674
004	12216-ZE5-300	CLIP, VALVE GUIDE	1	
005	12251-ZL0-003	GASKET, CYLINDER HEAD (NIPPON LEAKLESS)	1	
006	12310-ZE1-020	COVER COMP., HEAD	1	
007	12391-ZE1-000	PACKING, HEAD COVER	1	
008	15721-ZH8-000	TUBE, BREATHER	1	
008	15721-ZH8-000	TUBE, BREATHER	1	
009	90013-883-000	BOLT, FLANGE, 6X12 (CT200)	4	
<u>Ref</u>	<u>Partnumber</u>	<u>Description</u>	<u>GX200U</u>	<u>Serial Numbers</u>
010	90043-ZE1-020	BOLT, STUD, 6X112	2	
010	90043-ZE1-020	BOLT, STUD, 6X112	2	
011	90047-ZE1-000	BOLT, STUD, 8X32	2	
012	94301-10160	DOWEL PIN, 10X16	2	
014	95701-0806000	BOLT, FLANGE, 8X60	4	1030978
014	95723-0806000	BOLT, FLANGE, 8X60	4	1030977
014	95723-0806000	BOLT, FLANGE, 8X60	4	1030977
015	98079-55846	PLUG, SPARK (BPR5ES) (NGK)	(1)	
015	98079-55855	PLUG, SPARK (W16EPR-U) (DENSO)	(1)	
015	98079-55855	PLUG, SPARK (W16EPR-U) (DENSO)	(1)	
015	98079-56846	PLUG, SPARK (BPR6ES) (NGK)	1	
015	98079-56846	PLUG, SPARK (BPR6ES) (NGK)	1	
015	98079-56855	PLUG, SPARK (W20EPR-U) (DENSO)	1	
015	98079-56855	PLUG, SPARK (W20EPR-U) (DENSO)	1	

GX200U(HX2)	E-20 IGNITION COIL
-------------	--------------------



Ref	Partnumber	Description	GX200U	Serial Numbers
001	30500-ZE1-063	COIL ASSY., IGNITION	1	
001	30500-ZE1-063	COIL ASSY., IGNITION	1	1030230
001	30500-ZE1-073	COIL ASSY., IGNITION	1	1030231
001	30500-ZE1-073	COIL ASSY., IGNITION	1	1030231
002	30700-ZE1-013	CAP ASSY., NOISE SUPPRESSOR (NICHIIWA Y-E	1	
011	90121-952-000	BOLT, FLANGE, 6X25 (CT200)	2	

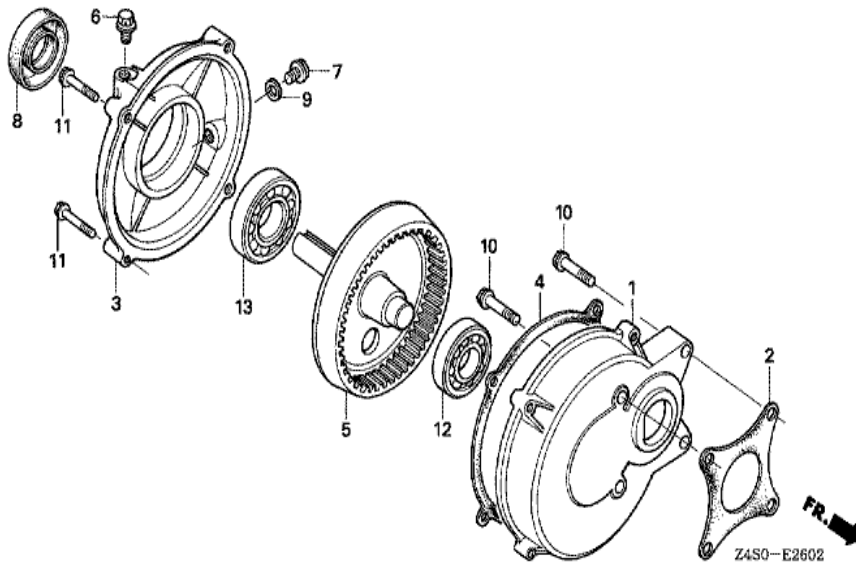
GX200U(HX2)	E-22 CONTROL
-------------	--------------



<u>Ref</u>	<u>Partnumber</u>	<u>Description</u>	<u>GX200U</u>	<u>Serial Numbers</u>
001	16500-ZH8-823	CONTROL ASSY. (REMOTE)	1	
005	16551-ZL0-000	ARM, GOVERNOR	1	
006	16555-ZE1-000	ROD, GOVERNOR	1	
008	16561-ZL0-000	SPRING, GOVERNOR	1	
009	16562-ZE1-020	SPRING, THROTTLE RETURN	1	
011	16571-ZH8-020	LEVER, CONTROL	1	
012	16574-ZE1-000	SPRING, LEVER	1	
013	16575-ZH8-000	WASHER, CONTROL LEVER	1	
014	16576-891-000	HOLDER, CABLE	1	
015	16578-ZE1-000	SPACER, CONTROL LEVER	1	
016	16580-ZH8-813	BASE COMP., CONTROL (REMOTE)	1	
016	16580-ZH8-813	BASE COMP., CONTROL (REMOTE)	1	
017	16584-883-300	SPRING, CONTROL ADJUSTING	1	
<u>Ref</u>	<u>Partnumber</u>	<u>Description</u>	<u>GX200U</u>	<u>Serial Numbers</u>
018	16592-ZE1-810	SPRING, CABLE RETURN	1	
021	90013-883-000	BOLT, FLANGE, 6X12 (CT200)	2	
022	90015-ZE5-010	BOLT, GOVERNOR ARM	1	
024	90114-SA0-000	NUT, SELF-LOCK, 6MM	1	
027	93500-050160A	SCREW, PAN, 5X16	1	
028	93500-050250H	SCREW, PAN, 5X25	1	
028	93500-050250H	SCREW, PAN, 5X25	1	
030	94050-06000	NUT, FLANGE, 6MM	1	

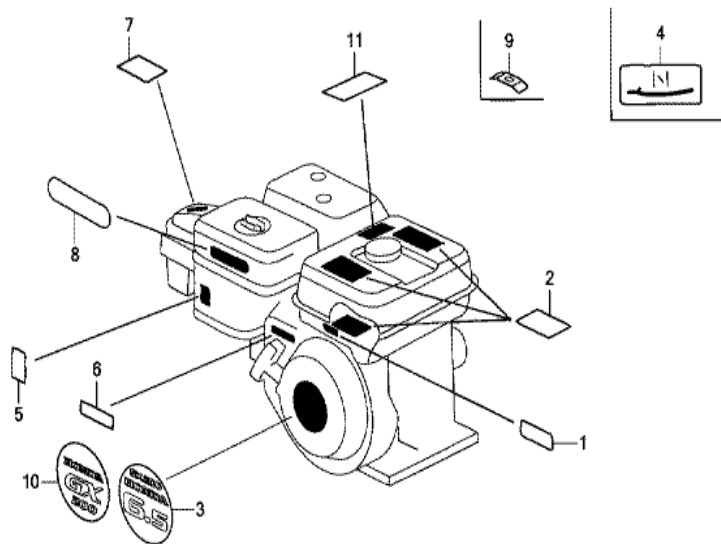
GX200U(HX2)

E-26-2 REDUCTION (3)



Ref	Partnumber	Description	GX200U	Serial Numbers
001	21521-883-741	CASE, REDUCTION	1	
002	21591-ZH8-740	PACKING, REDUCTION CASE	1	
003	21621-883-741	COVER, REDUCTION	1	
004	21692-ZH8-800	PACKING, REDUCTION COVER	1	
005	23710-883-740	SHAFT, P.T.O. (86T)	1	
006	90002-883-740	BOLT, BREATHING	1	
007	90131-883-000	BOLT, DRAIN PLUG, 12X15	1	
008	91201-Z0T-801	OIL SEAL, 25X41X6	1	
009	94109-12000	WASHER, DRAIN PLUG, 12MM	1	
010	95701-0803208	BOLT, FLANGE, 8X32	4	
011	95701-0803500	BOLT, FLANGE, 8X35	4	
012	96100-6204000	BEARING, RADIAL BALL, 6204	1	
013	96100-6305000	BEARING, RADIAL BALL, 6305	1	

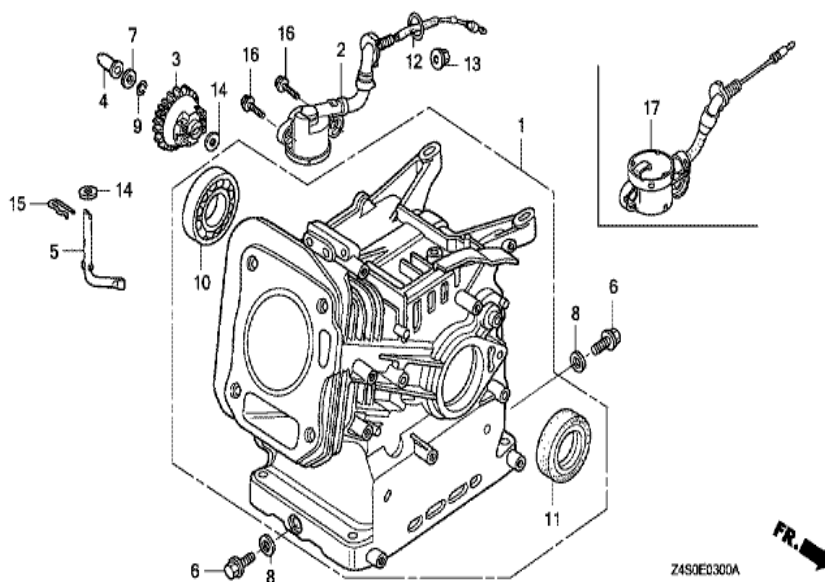
GX200U(HX2)	E-28 LABEL
-------------	------------



Z450E2800B

Ref	Partnumber	Description	GX200U	Serial Numbers
002	87516-ZH7-000	MARK, OPERATOR CAUTION (ENGLISH) (MADE I	1	1052336
002	87516-ZH7-010	MARK, OPERATOR CAUTION (ENGLISH) (MADE I	1	1052337
002	87516-ZH7-810	MARK, OPERATOR CAUTION (PICTOGRAPH) (MAD	(1)	
002	87516-ZH7-810	MARK, OPERATOR CAUTION (PICTOGRAPH) (MAD	(1)	1052336
003	87521-ZL0-020	EMBLEM (6.5)	1	1026116
005	87528-ZH7-000	MARK, CHOKE (GRAY)	1	
006	87532-ZH7-000	MARK, THROTTLE INDICATION	1	
010	87521-ZL0-030	EMBLEM (GX200)	1	
010	87521-ZL0-030	EMBLEM (GX200)	1	1026117

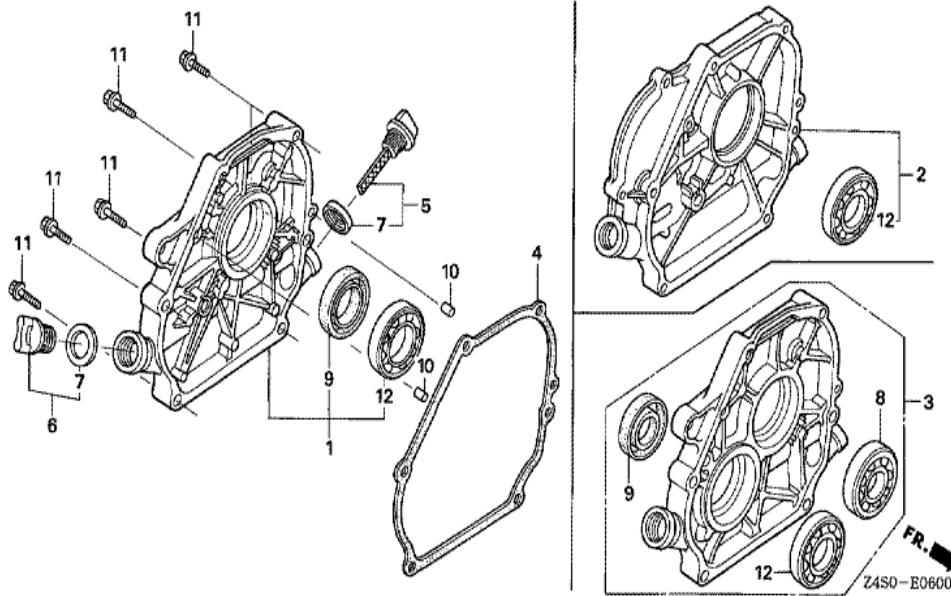
GX200U(HX2)	E-3 CYLINDER BARREL
-------------	---------------------



<u>Ref</u>	<u>Partnumber</u>	<u>Description</u>	<u>GX200U</u>	<u>Serial Numbers</u>
001	12000-ZL0-417	BARREL ASSY., CYLINDER	1	
001	12000-ZL0-417	BARREL ASSY., CYLINDER	1	
002	15510-ZE1-033	SWITCH ASSY., OIL LEVEL	1	
002	15510-ZE1-033	SWITCH ASSY., OIL LEVEL	1	1033404
002	15510-ZE1-043	SWITCH ASSY., OIL LEVEL	1	1033405 1045986
002	15510-ZE1-043	SWITCH ASSY., OIL LEVEL	1	1033405 1045986
003	16506-ZL0-000	GOVERNOR ASSY.	1	
004	16531-ZE1-000	SLIDER, GOVERNOR	1	
005	16541-ZE1-000	SHAFT, GOVERNOR ARM	1	
006	90131-ZE1-000	BOLT, DRAIN PLUG	2	
007	90451-ZE1-000	WASHER, THRUST, 6MM	1	
008	90601-ZE1-000	WASHER, DRAIN PLUG, 10.2MM	2	
009	90602-ZE1-000	CLIP, GOVERNOR HOLDER	1	
<u>Ref</u>	<u>Partnumber</u>	<u>Description</u>	<u>GX200U</u>	<u>Serial Numbers</u>
010	91001-ZF1-003	BEARING, RADIAL BALL (6205TMB) (NTN)	1	
010	91001-ZF1-004	BEARING, RADIAL BALL (6205SH) (KOYO)	1	
010	91001-ZF1-004	BEARING, RADIAL BALL (6205SH) (KOYO)	1	
011	91201-ZOT-801	OIL SEAL, 25X41X6	1	
012	91353-671-004	O-RING, 14MM (NOK)	1	
013	94050-10000	NUT, FLANGE, 10MM	1	
014	94101-06800	WASHER, PLAIN, 6MM	2	
015	94251-08000	PIN, LOCK, 8MM	1	
016	95701-0601200	BOLT, FLANGE, 6X12	2	
017	35480-ZOT-003	SWITCH ASSY., OIL LEVEL	1	1045987

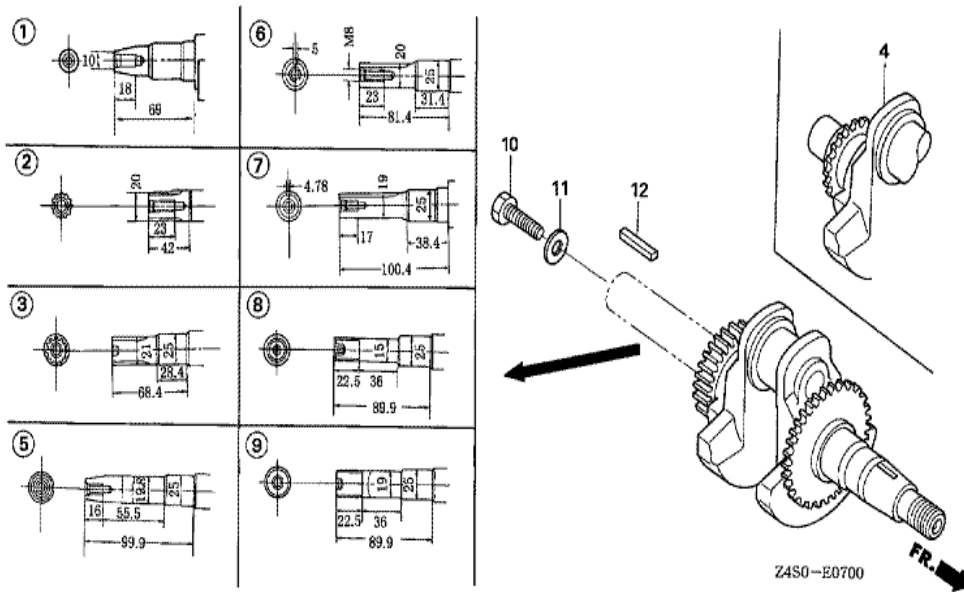
GX200U(HX2)

E-6 CRANKCASE COVER



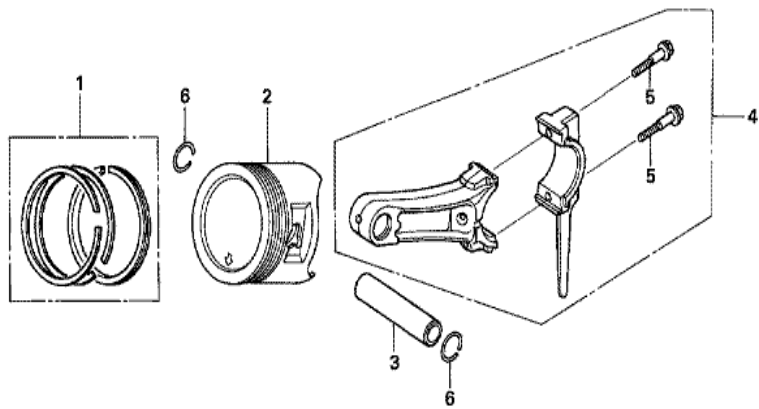
Ref	Partnumber	Description	GX200U	Serial Numbers
001	11300-ZE1-634	COVER ASSY., CRANKCASE	1	
001	11300-ZE1-634	COVER ASSY., CRANKCASE	1	
004	11381-ZL0-000	PACKING, CASE COVER	1	
005	15600-ZE1-003	CAP ASSY., OIL FILLER (GRAY)	1	
006	15600-ZG4-003	CAP ASSY., OIL FILLER	1	
007	15625-ZE1-003	PACKING, OIL FILLER CAP	2	
009	91201-Z0T-801	OIL SEAL, 25X41X6	1	
010	94301-08140	DOWEL PIN, 8X14	2	
011	95701-0803200	BOLT, FLANGE, 8X32	6	
012	96100-6205000	BEARING, RADIAL BALL, 6205	1	

GX200U(HX2)	E-7 CRANKSHAFT
-------------	----------------



Ref	Partnumber	Description	GX200U	Serial Numbers
003	13310-ZLO-622	CRANKSHAFT COMP.	1	
003	13310-ZLO-622	CRANKSHAFT COMP.	1	

GX200U(HX2)	E-8 PISTON
-------------	------------



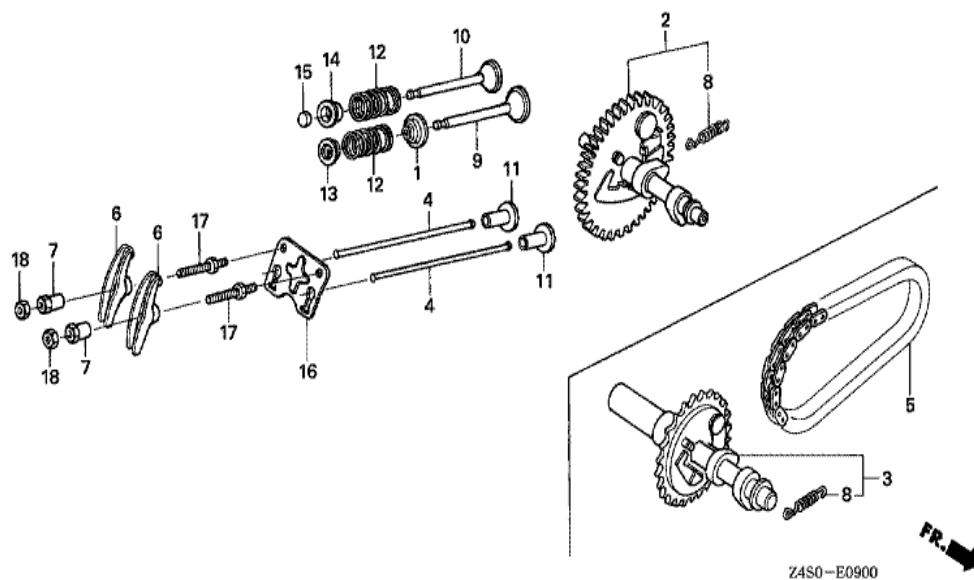
Z4S0-E0800



Ref	Partnumber	Description	GX200U	Serial Numbers
001	13010-Z4K-004	RING SET, PISTON (STD.) (TPR)	1	1026117
001	13010-ZL0-003	RING SET, PISTON (STD.) (TEIKOKU)	1	
001	13010-ZL0-003	RING SET, PISTON (STD.) (TEIKOKU)	1	1026116
001	13010-ZL0-004	RING SET, PISTON (STD.) (NIPPON)	1	1026116
001	13010-ZL0-004	RING SET, PISTON (STD.) (NIPPON)	1	1026116
001	13011-Z4K-004	RING SET, PISTON (0.25) (TPR)	(1)	
001	13011-Z4K-004	RING SET, PISTON (0.25) (TPR)	(1)	1026117
001	13011-ZL0-003	RING SET, PISTON (0.25) (TEIKOKU)	(1)	
001	13011-ZL0-003	RING SET, PISTON (0.25) (TEIKOKU)	(1)	1026116
001	13011-ZL0-004	RING SET, PISTON (0.25) (NIPPON)	(1)	1026116
001	13011-ZL0-004	RING SET, PISTON (0.25) (NIPPON)	(1)	1026116
001	13012-Z4K-004	RING SET, PISTON (0.50) (TPR)	(1)	
001	13012-Z4K-004	RING SET, PISTON (0.50) (TPR)	(1)	1026117

<u>Ref</u>	<u>Partnumber</u>	<u>Description</u>	<u>GX200U</u>	<u>Serial Numbers</u>
001	13012-ZL0-003	RING SET, PISTON (0.50) (TEIKOKU)	(1)	
001	13012-ZL0-003	RING SET, PISTON (0.50) (TEIKOKU)	(1)	1026116
001	13012-ZL0-004	RING SET, PISTON (0.50) (NIPPON)	(1)	
001	13012-ZL0-004	RING SET, PISTON (0.50) (NIPPON)	(1)	1026116
001	13013-Z4K-004	RING SET, PISTON (0.75) (TPR)	(1)	1026117
001	13013-Z4K-004	RING SET, PISTON (0.75) (TPR)	(1)	1026117
001	13013-ZL0-003	RING SET, PISTON (0.75) (TEIKOKU)	(1)	1026116
001	13013-ZL0-003	RING SET, PISTON (0.75) (TEIKOKU)	(1)	1026116
001	13013-ZL0-004	RING SET, PISTON (0.75) (NIPPON)	(1)	
001	13013-ZL0-004	RING SET, PISTON (0.75) (NIPPON)	(1)	1026116
002	13101-ZL0-010	PISTON (STD.)	1	
002	13101-ZL0-010	PISTON (STD.)	1	1026116
002	13101-ZL0-020	PISTON (STD.)	1	1026117
002	13101-ZL0-020	PISTON (STD.)	1	1026117
002	13102-ZL0-010	PISTON (0.25)	(1)	1026116
002	13102-ZL0-010	PISTON (0.25)	(1)	1026116
002	13102-ZL0-020	PISTON (0.25)	(1)	1026117
002	13102-ZL0-020	PISTON (0.25)	(1)	1026117
002	13103-ZL0-010	PISTON (0.50)	(1)	
002	13103-ZL0-010	PISTON (0.50)	(1)	1026116
002	13103-ZL0-020	PISTON (0.50)	(1)	1026117
002	13103-ZL0-020	PISTON (0.50)	(1)	1026117
002	13104-ZL0-010	PISTON (0.75)	(1)	1026116
002	13104-ZL0-010	PISTON (0.75)	(1)	1026116
002	13104-ZL0-020	PISTON (0.75)	(1)	
002	13104-ZL0-020	PISTON (0.75)	(1)	1026117
003	13111-ZE1-000	PIN, PISTON	1	
004	13200-ZE1-010	ROD ASSY., CONNECTING (STD.)	1	
005	90001-ZE1-000	BOLT, CONNECTING ROD	2	
006	90551-ZE1-000	CLIP, PISTON PIN, 18MM	2	

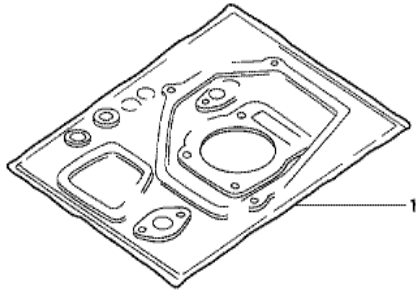
GX200U(HX2)	E-9 CAMSHAFT
-------------	--------------



<u>Ref</u>	<u>Partnumber</u>	<u>Description</u>	<u>GX200U</u>	<u>Serial Numbers</u>
001	12209-ZH8-003	SEAL, VALVE STEM	1	
002	14100-ZL0-000	CAMSHAFT ASSY.	1	
004	14410-ZE1-010	ROD, PUSH	2	
006	14431-ZE1-000	ARM, VALVE ROCKER	2	
007	14451-ZE1-013	PIVOT, ROCKER ARM	2	
008	14568-ZE1-000	SPRING, WEIGHT RETURN	1	
009	14711-ZF1-000	VALVE, IN.	1	
010	14721-ZF1-000	VALVE, EX.	1	
011	14731-ZL0-000	LIFTER, VALVE	2	
012	14751-ZF1-000	SPRING, VALVE	2	
013	14771-ZE1-000	RETAINER, IN. VALVE SPRING	1	
014	14773-ZE1-000	RETAINER, EX. VALVE SPRING	1	1052206
014	14773-ZE1-000	RETAINER, EX. VALVE SPRING	1	
<u>Ref</u>	<u>Partnumber</u>	<u>Description</u>	<u>GX200U</u>	<u>Serial Numbers</u>
015	14781-ZE1-000	ROTATOR, VALVE	1	
016	14791-ZE1-010	PLATE, PUSH ROD GUIDE	1	
017	90012-ZE0-010	BOLT, PIVOT, 8MM	2	
018	90206-ZE1-000	NUT, PIVOT ADJUSTING	2	

GX200U(HX2)

EOP-1 GASKET KIT



HENG-X0003

<u>Ref</u>	<u>Partnumber</u>	<u>Description</u>	<u>GX200U</u>	<u>Serial Numbers</u>
001	06111-ZL0-000	GASKET KIT	1	