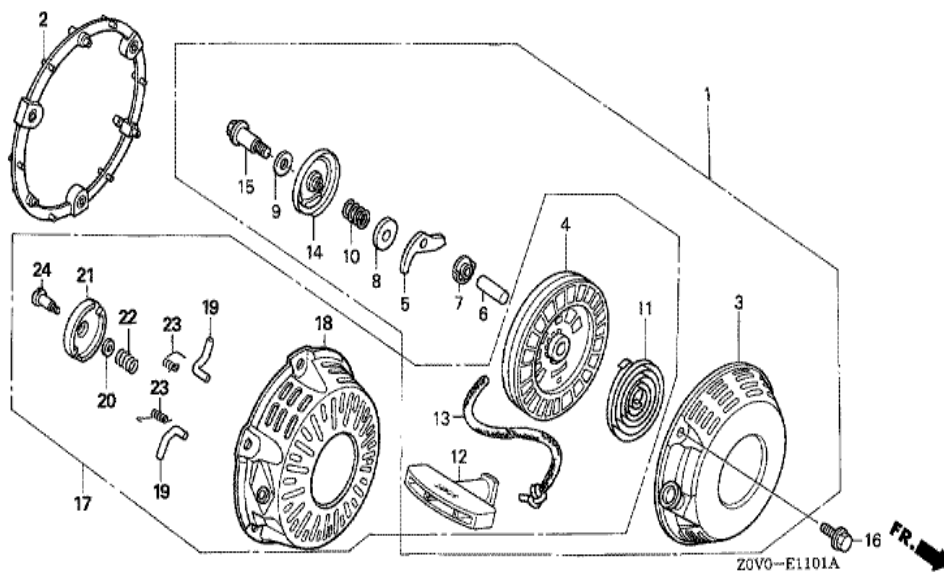


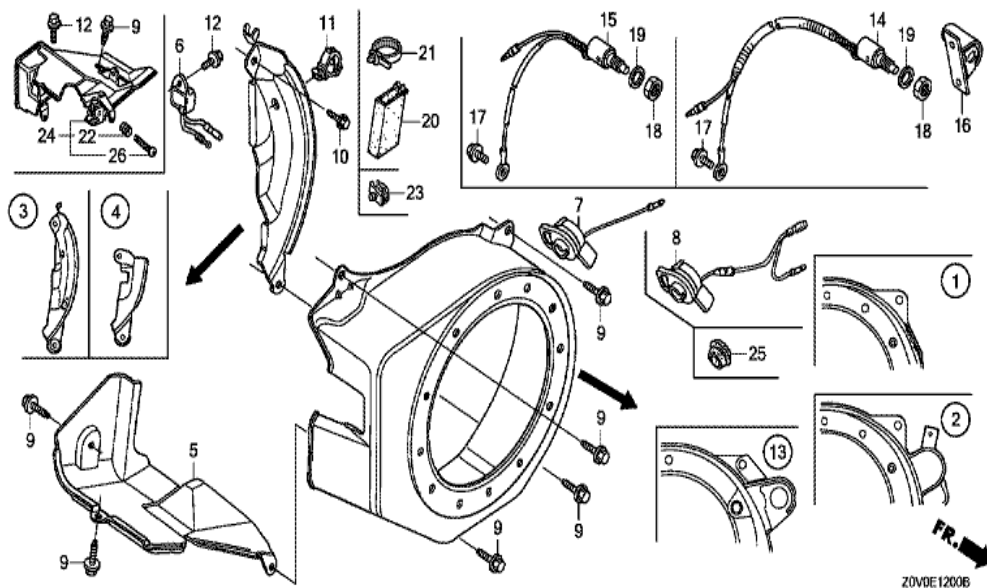
GX200T(LX2)	E-11-1 RECOIL STARTER (2)
-------------	---------------------------



<u>Ref</u>	<u>Partnumber</u>	<u>Description</u>	<u>GX200T</u>	<u>Serial Numbers</u>
002	28405-ZL0-000ZA	SPACER, RECOIL STARTER MOUNTING *	1	
002	28405-ZL0-000ZA	SPACER, RECOIL STARTER MOUNTING *	1	
002	28405-ZL0-000ZC	SPACER, RECOIL STARTER MOUNTING *	1	
002	28405-ZL0-000ZC	SPACER, RECOIL STARTER MOUNTING *	1	
004	28421-ZH8-801	REEL, RECOIL STARTER (BLACK)	1	
011	28442-ZH8-003	SPRING, RECOIL STARTER	1	
012	28461-ZH8-003	GRIP, STARTER	1	
013	28462-ZH8-003	ROPE, RECOIL STARTER	1	
016	95701-0601800	BOLT, FLANGE, 6X18	3	
017	28400-ZH8-023YA	STARTER ASSY., RECOIL *R280 *	1	
017	28400-ZH8-023ZB	STARTER ASSY., RECOIL *NH1 *	1	1129302
017	28400-ZH8-023ZB	STARTER ASSY., RECOIL *NH1 *	1	
017	28400-ZH8-023ZB	STARTER ASSY., RECOIL *NH1 *	1	
<u>Ref</u>	<u>Partnumber</u>	<u>Description</u>	<u>GX200T</u>	<u>Serial Numbers</u>
018	28410-ZH8-003YA	CASE COMP., RECOIL STARTER *R280 *	1	
018	28410-ZH8-003ZB	CASE COMP., RECOIL STARTER *NH1 *	1	1129302
018	28410-ZH8-003ZB	CASE COMP., RECOIL STARTER *NH1 *	1	
019	28422-ZH8-801	RATCHET, STARTER	2	
020	28431-ZH8-801	PLATE, FRICTION	1	
021	28433-ZH8-801	GUIDE, RATCHET	1	
022	28441-ZH8-801	SPRING, FRICTION	1	
023	28443-ZH8-801	SPRING, RETURN	2	
024	90003-ZH8-801	SCREW, SETTING	1	

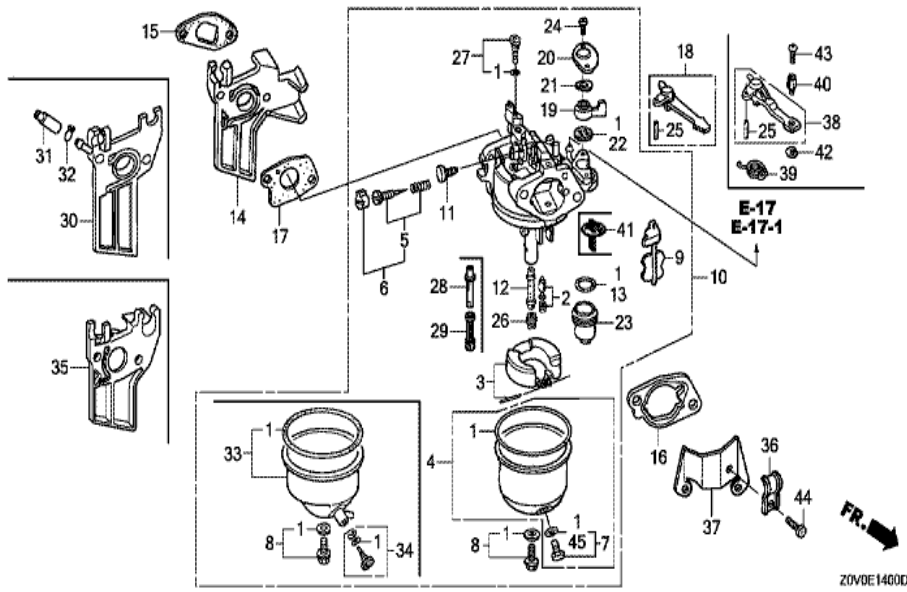
GX200T(LX2)

E-12 FAN COVER (1)



Ref	Partnumber	Description	GX200T	Serial Numbers
001	19610-ZL0-000ZA	COVER COMP., FAN *NH246 *	1	
001	19610-ZL0-000ZA	COVER COMP., FAN *NH246 *	1	
001	19610-ZL0-000ZA	COVER COMP., FAN *NH246 *	1	
001	19610-ZL0-000ZJ	COVER COMP., FAN *R280 *	1	
001	19610-ZL0-000ZJ	COVER COMP., FAN *R280 *	1	
001	19610-ZL0-000ZJ	COVER COMP., FAN *R280 *	1	
003	19611-ZH8-810	PLATE COMP., SIDE (OIL ALERT)	1	
005	19630-ZH8-000	SHROUD COMP.	1	
005	19630-ZH8-000	SHROUD COMP.	1	
006	34150-ZH7-003	ALERT UNIT, OIL	1	
008	35120-Z0T-851	SWITCH ASSY., ENGINE STOP	1	
009	90013-883-000	BOLT, FLANGE, 6X12 (CT200)	6	
010	90022-888-010	BOLT, FLANGE, 6X20 (CT200)	1	
Ref	Partnumber	Description	GX200T	Serial Numbers
011	90601-ZH7-013	CLIP, HARNESS	1	
012	95701-0600800	BOLT, FLANGE, 6X8	1	
012	95701-0600800	BOLT, FLANGE, 6X8	1	

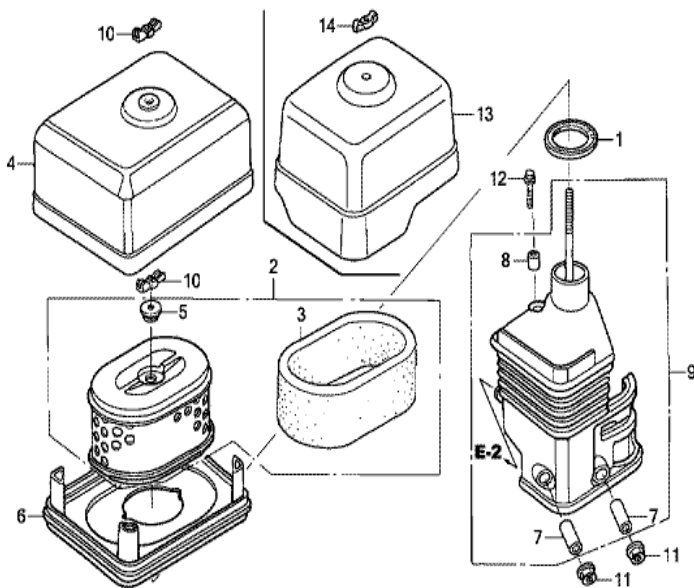
GX200T(LX2)	E-14 CARBURETOR (1)
-------------	---------------------



Ref	Partnumber	Description	GX200T	Serial Numbers
001	16010-ZE1-812	GASKET SET	1	
001	16010-ZE1-812	GASKET SET	1	
002	16011-ZE0-005	VALVE SET, FLOAT	1	
003	16013-Z0S-B01	FLOAT SET	1	
004	16015-ZE0-831	CHAMBER SET, FLOAT	1	
004	16015-ZE0-831	CHAMBER SET, FLOAT	1	
004	16015-ZE0-831	CHAMBER SET, FLOAT	1	
006	16016-ZH7-W01	SCREW SET, PILOT	1	
007	16024-ZE1-811	SCREW SET, DRAIN	1	
007	16024-ZE1-811	SCREW SET, DRAIN	1	
007	16024-ZE1-811	SCREW SET, DRAIN	1	
008	16028-ZE0-005	SCREW SET	1	
008	16028-ZE0-005	SCREW SET	1	

<u>Ref</u>	<u>Partnumber</u>	<u>Description</u>	<u>GX200T</u>	<u>Serial Numbers</u>
008	16028-ZE0-005	SCREW SET	1	
009	16044-ZE0-005	CHOKE SET	1	
009	16044-ZE0-005	CHOKE SET	1	
009	16044-ZE0-005	CHOKE SET	1	
010	16100-Z0V-921	CARBURETOR ASSY. (BE64Y A)	1	
010	16100-Z0V-921	CARBURETOR ASSY. (BE64Y A)	1	
010	16100-Z0V-921	CARBURETOR ASSY. (BE64Y A)	1	
011	16124-ZE0-005	SCREW, THROTTLE STOP	1	
012	16166-ZL0-000	NOZZLE, MAIN	1	
012	16166-ZL0-000	NOZZLE, MAIN	1	
013	16173-001-004	PACKING, FUEL STRAINER CUP	1	
014	16211-ZL0-000	INSULATOR, CARBURETOR	1	
014	16211-ZL0-000	INSULATOR, CARBURETOR	1	
015	16212-ZH8-800	PACKING, INSULATOR	1	
016	16220-ZE1-020	SPACER COMP., CARBURETOR	1	
016	16220-ZE1-020	SPACER COMP., CARBURETOR	1	
017	16221-ZH8-801	PACKING, CARBURETOR	1	
018	16610-ZE1-000	LEVER COMP., CHOKE (STD.)	1	
019	16953-ZE1-812	LEVER, COCK	1	
020	16954-ZE1-812	PLATE, LEVER SETTING	1	
021	16956-ZE1-811	SPRING, COCK LEVER	1	
022	16957-ZE1-812	PACKING, FUEL COCK	1	
023	16967-ZE0-811	CUP, FUEL STRAINER	1	
024	93500-030061H	SCREW, PAN, 3X6	2	
025	94305-20122	PIN, SPRING, 2X12	1	
026	99101-ZH80680	JET, MAIN, #68	1	
026	99101-ZH80680	JET, MAIN, #68	(1)	
026	99101-ZH80700	JET, MAIN, #70	(1)	
026	99101-ZH80700	JET, MAIN, #70	(1)	
026	99101-ZH80700	JET, MAIN, #70	(1)	
026	99101-ZH80720	JET, MAIN, #72	(1)	
026	99101-ZH80720	JET, MAIN, #72	1	
026	99101-ZH80720	JET, MAIN, #72	1	
<u>Ref</u>	<u>Partnumber</u>	<u>Description</u>	<u>GX200T</u>	<u>Serial Numbers</u>
027	99204-ZA00450	JET SET, PILOT, #45	1	

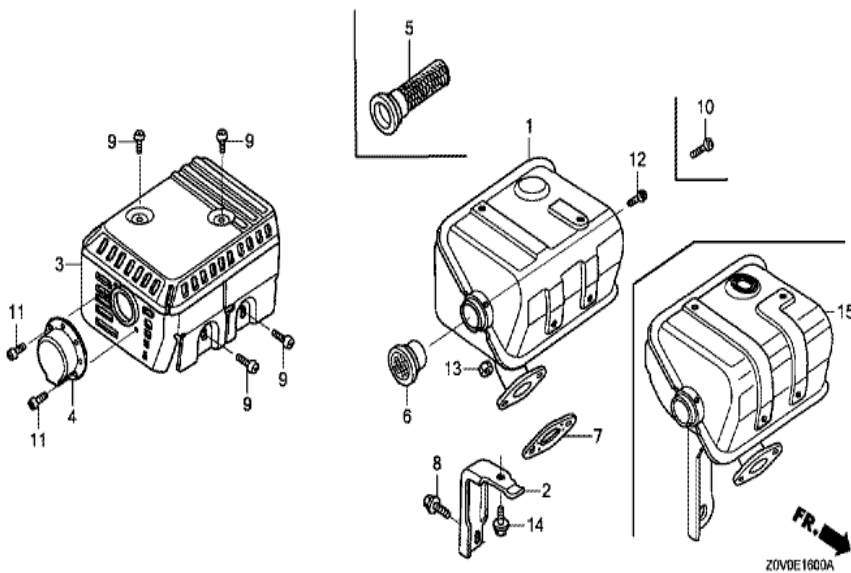
GX200T(LX2)	E-15 AIR CLEANER (DUAL)
-------------	-------------------------



FR.
Z0V0E1500A

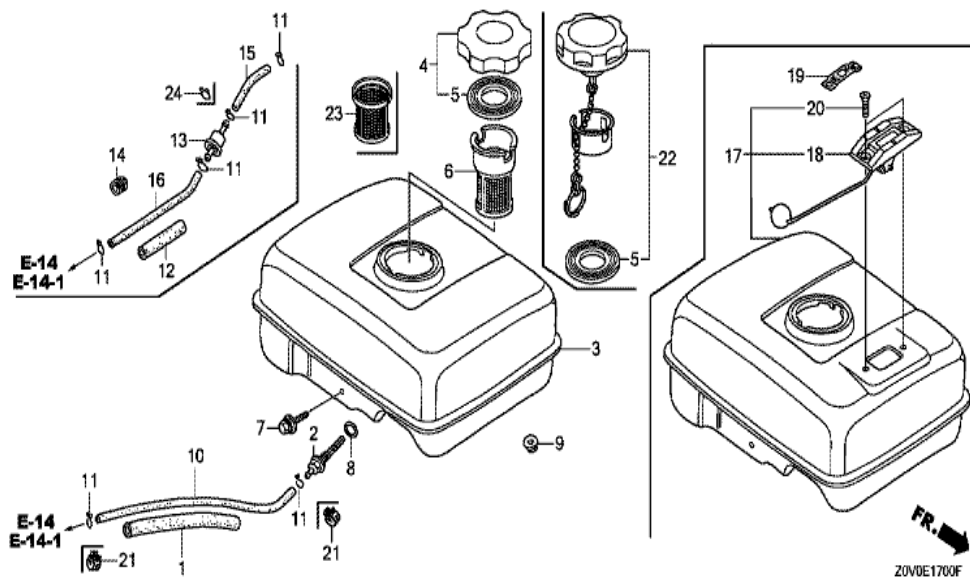
<u>Ref</u>	<u>Partnumber</u>	<u>Description</u>	<u>GX200T</u>	<u>Serial Numbers</u>
001	16271-ZE1-000	PACKING, ELBOW	1	
002	17210-ZE1-822	ELEMENT, AIR CLEANER (DUAL)	1	
002	17210-ZE1-822	ELEMENT, AIR CLEANER (DUAL)	1	
003	17218-ZE1-821	FILTER, OUTER	1	
004	17230-ZE1-820	COVER, AIR CLEANER (DUAL)	1	
005	17232-891-000	GROMMET, AIR CLEANER	1	
006	17235-ZE1-831	NOSE, SILENCER	1	
006	17235-ZE1-831	NOSE, SILENCER	1	
007	17238-ZE7-010	COLLAR, AIR CLEANER	2	
008	17239-ZE1-000	COLLAR B, AIR CLEANER	1	
009	17410-ZE1-020	ELBOW COMP., AIR CLEANER	1	
009	17410-ZE1-020	ELBOW COMP., AIR CLEANER	1	
009	17410-ZE1-020	ELBOW COMP., AIR CLEANER	1	
<u>Ref</u>	<u>Partnumber</u>	<u>Description</u>	<u>GX200T</u>	<u>Serial Numbers</u>
010	90325-044-000	NUT, TOOL BOX SETTING	1	
010	90325-044-000	NUT, TOOL BOX SETTING	2	
011	94050-06000	NUT, FLANGE, 6MM	2	
012	95701-0602000	BOLT, FLANGE, 6X20	1	

GX200T(LX2)	E-16 MUFFLER (1)
-------------	------------------



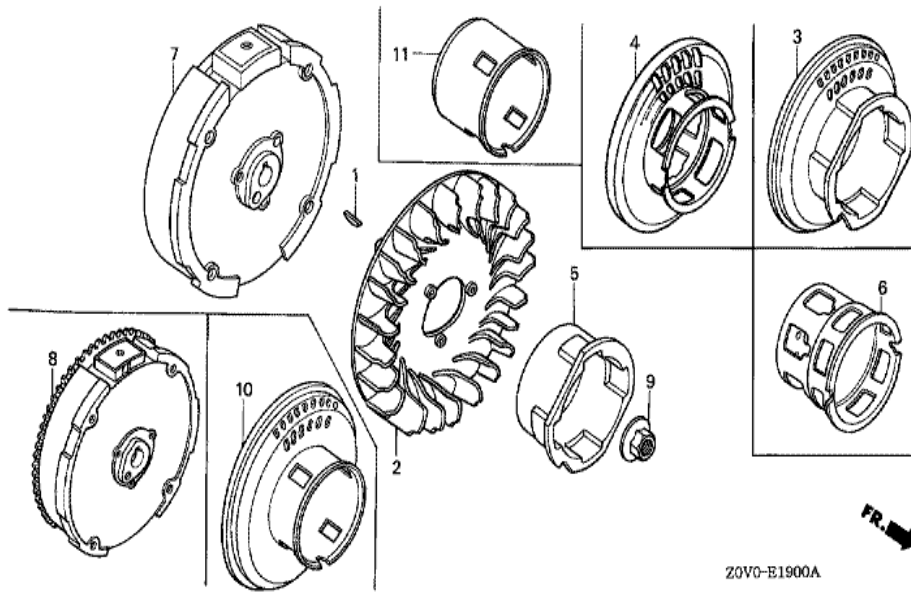
<u>Ref</u>	<u>Partnumber</u>	<u>Description</u>	<u>GX200T</u>	<u>Serial Numbers</u>
001	18310-ZL0-000	MUFFLER COMP.	(1)	
001	18310-ZL0-000	MUFFLER COMP.	1	
002	18315-ZE1-000	STAY, MUFFLER	1	
003	18320-ZF1-H51	PROTECTOR, MUFFLER (SILENT)	1	
003	18320-ZF1-H51	PROTECTOR, MUFFLER (SILENT)	1	
005	18355-ZL0-000	ARRESTER, SPARK	1	
005	18355-ZL0-000	ARRESTER, SPARK	(1)	
006	18361-ZL0-000	NETTING, WIRE FLANGE	1	
007	18381-ZH8-800	GASKET, MUFFLER	(1)	
007	18381-ZH8-800	GASKET, MUFFLER	1	
007	18381-ZH8-800	GASKET, MUFFLER	1	
008	90016-ZE1-000	BOLT, FLANGE, 6X13 (CT200)	1	
009	90050-ZE1-000	SCREW, TAPPING, 5X8	4	
<u>Ref</u>	<u>Partnumber</u>	<u>Description</u>	<u>GX200T</u>	<u>Serial Numbers</u>
010	90055-ZE1-000	SCREW, TAPPING, 4X6	(1)	
012	90056-ZL0-000	SCREW, TAPPING, 4X6	1	
013	94001-080000S	NUT, HEX., 8MM	2	
014	95701-0601200	BOLT, FLANGE, 6X12	1	

GX200T(LX2)	E-17 FUEL TANK (1)
-------------	--------------------



Ref	Partnumber	Description	GX200T	Serial Numbers
001	16854-ZH8-000	RUBBER, SUPPORTER (107MM)	1	
002	16955-ZE1-000	JOINT, FUEL TANK	1	
003	17510-Z0T-000ZA	TANK COMP., FUEL *NH1 *	1	
003	17510-Z0T-000ZC	TANK COMP., FUEL *NH31 *	1	
003	17510-Z0T-000ZC	TANK COMP., FUEL *NH31 *	1	
004	17620-Z0T-813	CAP COMP., FUEL FILLER (CHROME PLATED) (1	
005	17631-Z0T-801	PACKING, FUEL FILLER CAP (39X62X3) (RADI	1	
007	90004-ZL0-003	BOLT, FLANGE, 6X34	1	
008	91353-671-004	O-RING, 14MM (NOK)	1	
009	94050-06000	NUT, FLANGE, 6MM	2	
010	95001-4514040	TUBE, FUEL, 4.5X140 (95001-45001-60M)	1	
010	95001-4514040	TUBE, FUEL, 4.5X140 (95001-45001-60M)	1	
011	95002-02080	CLIP, TUBE (B8)	2	

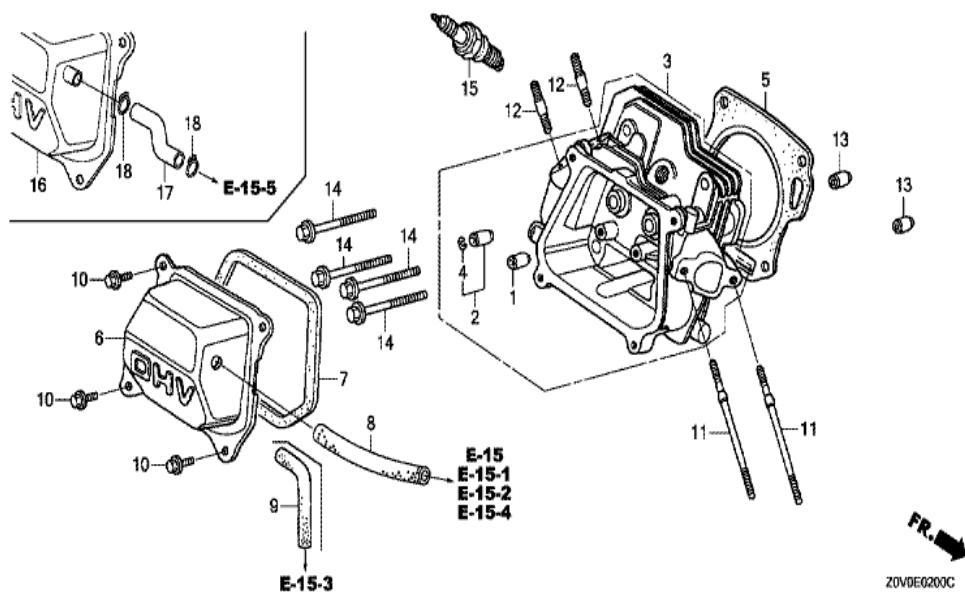
GX200T(LX2)	E-19 FLYWHEEL
-------------	---------------



Z0V0-E1900A

Ref	Partnumber	Description	GX200T	Serial Numbers
001	13331-357-000	KEY, SPECIAL WOODRUFF, 25X18	1	
002	19511-ZE1-000	FAN, COOLING	1	
002	19511-ZE1-000	FAN, COOLING	1	
007	31100-ZE7-010	FLYWHEEL COMP. (STD.)	1	
007	31100-ZE7-010	FLYWHEEL COMP. (STD.)	1	
007	31100-ZE7-010	FLYWHEEL COMP. (STD.)	1	
009	90201-Z0T-800	NUT, SPECIAL, 14MM	1	
011	28451-ZL0-801	PULLEY, STARTER	1	
011	28451-ZL0-801	PULLEY, STARTER	1	

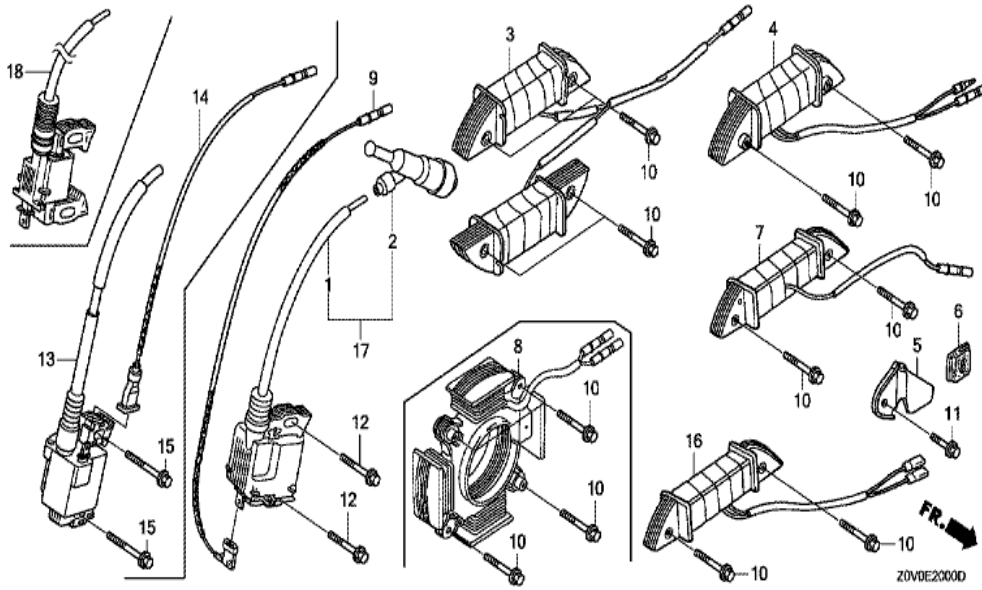
GX200T(LX2)	E-2 CYLINDER HEAD
-------------	-------------------



Ref	Partnumber	Description	GX200T	Serial Numbers
001	12204-ZE1-306	GUIDE, IN. VALVE (OS)	1	
002	12205-ZE1-315	GUIDE, EX. VALVE (OS)	1	
003	12210-ZL0-405	HEAD COMP., CYLINDER	1	
003	12210-ZL0-405	HEAD COMP., CYLINDER	1	
004	12216-ZE5-300	CLIP, VALVE GUIDE	1	
005	12251-ZL0-003	GASKET, CYLINDER HEAD (NIPPON LEAKLESS)	1	
006	12310-ZE1-020	COVER COMP., HEAD	1	
006	12310-ZE1-020	COVER COMP., HEAD	1	
006	12310-ZE1-020	COVER COMP., HEAD	1	
006	12310-ZE1-020	COVER COMP., HEAD	1	
007	12391-ZE1-000	PACKING, HEAD COVER	1	
008	15721-ZH8-000	TUBE, BREATHER	1	
010	90013-883-000	BOLT, FLANGE, 6X12 (CT200)	4	
Ref	Partnumber	Description	GX200T	Serial Numbers
011	90043-ZE1-020	BOLT, STUD, 6X112	2	
011	90043-ZE1-020	BOLT, STUD, 6X112	2	
012	90047-ZE1-000	BOLT, STUD, 8X32	2	
013	94301-10160	DOWEL PIN, 10X16	2	
014	95723-0806000	BOLT, FLANGE, 8X60	4	1391729
014	95723-0806000	BOLT, FLANGE, 8X60	4	
015	98079-55876	PLUG, SPARK (BPR5ES) (NGK)	(1)	
015	98079-55876	PLUG, SPARK (BPR5ES) (NGK)	(1)	
015	98079-55876	PLUG, SPARK (BPR5ES) (NGK)	(1)	
015	98079-56876	PLUG, SPARK (BPR6ES) (NGK)	1	
015	98079-56876	PLUG, SPARK (BPR6ES) (NGK)	1	
015	98079-56876	PLUG, SPARK (BPR6ES) (NGK)	1	

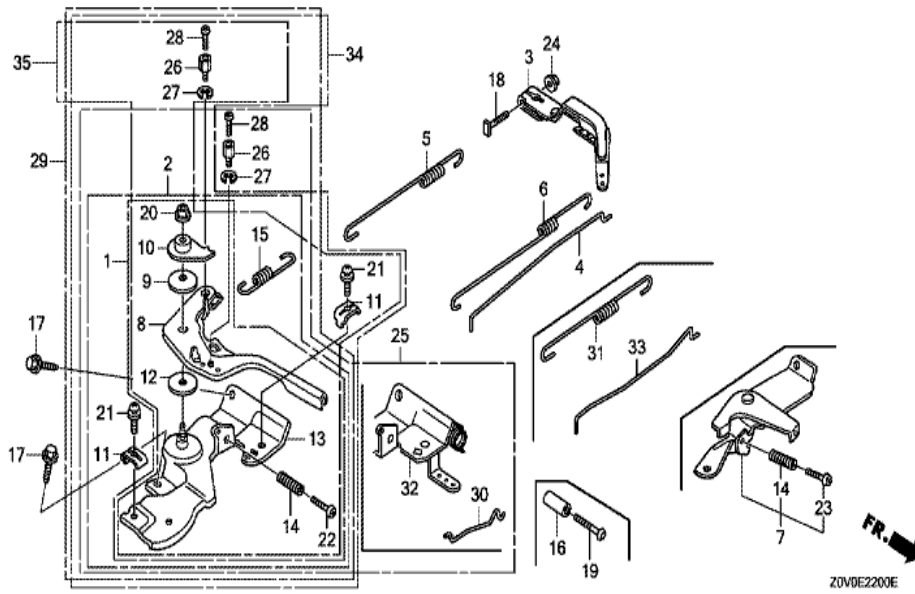
GX200T(LX2)

E-20 IGNITION COIL



Ref	Partnumber	Description	GX200T	Serial Numbers
001	30500-Z0T-801	COIL ASSY., IGNITION	1	
002	30700-Z0T-811	CAP ASSY., NOISE SUPPRESSOR (NGK)	1	
002	30700-Z0T-811	CAP ASSY., NOISE SUPPRESSOR (NGK)	1	
002	30700-Z0T-811	CAP ASSY., NOISE SUPPRESSOR (NGK)	1	
009	36101-ZE1-010	CORD, STOP SWITCH (370MM)	1	
009	36101-ZE1-010	CORD, STOP SWITCH (370MM)	1	
012	90121-952-000	BOLT, FLANGE, 6X25 (CT200)	2	

GX200T(LX2)	E-22 CONTROL (1)
-------------	------------------

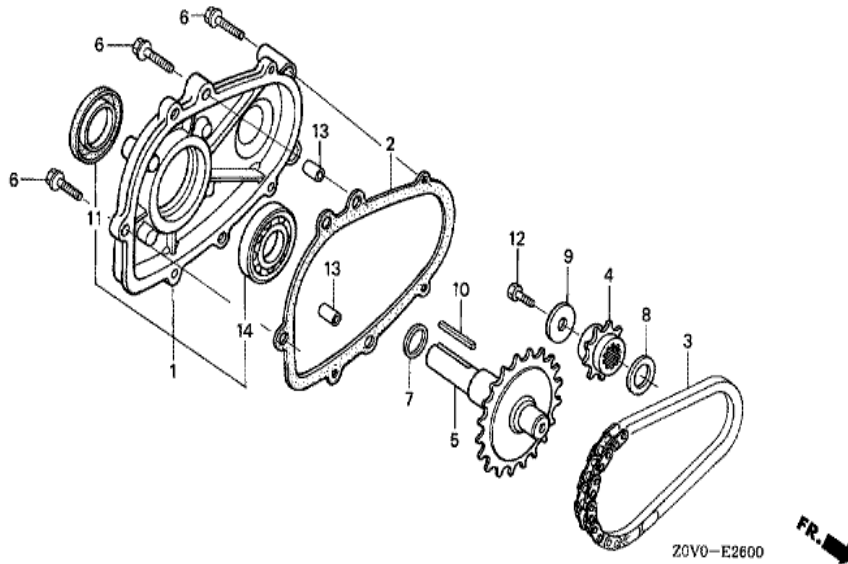


Ref	Partnumber	Description	GX200T	Serial Numbers
002	16500-ZH8-823	CONTROL ASSY. (REMOTE)	1	
002	16500-ZH8-823	CONTROL ASSY. (REMOTE)	1	
002	16500-ZH8-823	CONTROL ASSY. (REMOTE)	1	
003	16551-ZL0-000	ARM, GOVERNOR	1	
003	16551-ZL0-000	ARM, GOVERNOR	1	
004	16555-ZE1-000	ROD, GOVERNOR	1	
004	16555-ZE1-000	ROD, GOVERNOR	1	
005	16561-ZL0-000	SPRING, GOVERNOR	1	
005	16561-ZL0-000	SPRING, GOVERNOR	1	
006	16562-ZE1-020	SPRING, THROTTLE RETURN	1	
008	16571-ZH8-020	LEVER, CONTROL	1	
008	16571-ZH8-020	LEVER, CONTROL	1	
008	16571-ZH8-020	LEVER, CONTROL	1	

<u>Ref</u>	<u>Partnumber</u>	<u>Description</u>	<u>GX200T</u>	<u>Serial Numbers</u>
008	16571-ZH8-020	LEVER, CONTROL	1	
009	16574-ZE1-000	SPRING, LEVER	1	
010	16575-ZH8-000	WASHER, CONTROL LEVER	1	
010	16575-ZH8-000	WASHER, CONTROL LEVER	1	
011	16576-891-000	HOLDER, CABLE	1	
012	16578-ZE1-000	SPACER, CONTROL LEVER	1	
013	16580-ZH8-813	BASE COMP., CONTROL (REMOTE)	1	
013	16580-ZH8-813	BASE COMP., CONTROL (REMOTE)	1	
013	16580-ZH8-813	BASE COMP., CONTROL (REMOTE)	1	
013	16580-ZH8-813	BASE COMP., CONTROL (REMOTE)	1	
013	16580-ZH8-813	BASE COMP., CONTROL (REMOTE)	1	
014	16584-883-300	SPRING, CONTROL ADJUSTING	1	
015	16592-ZE1-810	SPRING, CABLE RETURN	1	
015	16592-ZE1-810	SPRING, CABLE RETURN	1	
017	90013-883-000	BOLT, FLANGE, 6X12 (CT200)	2	
018	90015-ZE5-010	BOLT, GOVERNOR ARM	1	
018	90015-ZE5-010	BOLT, GOVERNOR ARM	1	
020	90114-SA0-000	NUT, SELF-LOCK, 6MM	1	
021	93500-050160A	SCREW, PAN, 5X16	1	
022	93500-050250H	SCREW, PAN, 5X25	1	
022	93500-050250H	SCREW, PAN, 5X25	1	
024	94050-06000	NUT, FLANGE, 6MM	1	

GX200T(LX2)

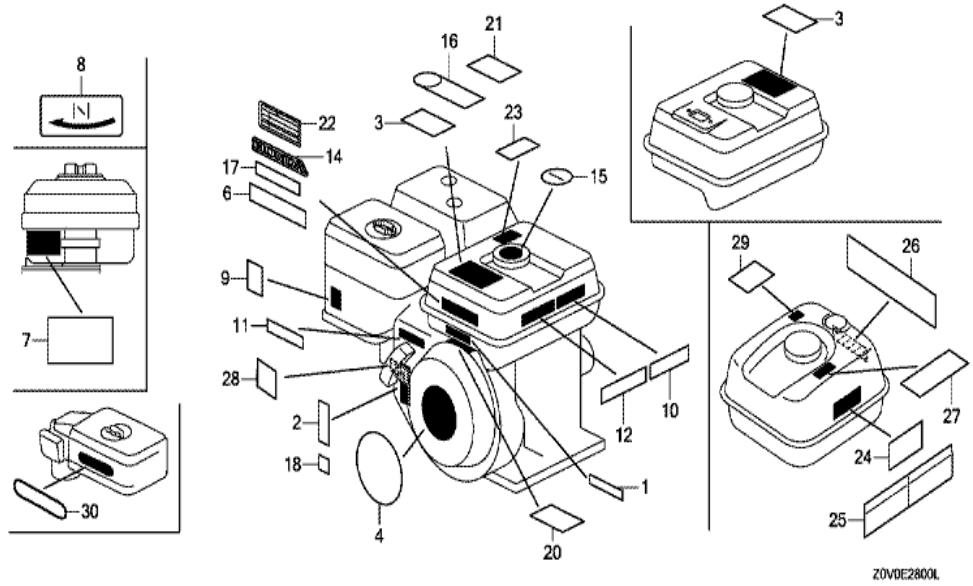
E-26 REDUCTION (1)



<u>Ref</u>	<u>Partnumber</u>	<u>Description</u>	<u>GX200T</u>	<u>Serial Numbers</u>
001	11500-ZE1-611	COVER ASSY., CHAIN CASE	1	
001	11500-ZE1-611	COVER ASSY., CHAIN CASE	1	
002	11521-ZH8-800	PACKING, CHAIN CASE COVER	1	
003	14411-ZE1-611	CHAIN, P.T.O. DRIVE (DID317FM2-34LE)	1	
004	23110-ZE1-610	SPROCKET, DRIVE (13T)	1	
005	23710-ZE1-613	SHAFT, P.T.O. (26T)	1	
006	90015-883-000	BOLT, FLANGE, 6X28 (CT200)	5	
007	90456-ZE1-000	SPRING, THRUST	1	
008	90470-ZE1-000	SPACER, 20MM	1	
009	90471-ZE1-610	WASHER, 8MM	1	
010	90741-883-810	KEY, 5X5X33 (YELLOW)	1	
011	91201-ZOT-801	OIL SEAL, 25X41X6	1	
011	91201-ZOT-801	OIL SEAL, 25X41X6	1	
<u>Ref</u>	<u>Partnumber</u>	<u>Description</u>	<u>GX200T</u>	<u>Serial Numbers</u>
012	92101-080250A	BOLT, HEX., 8X25	1	
013	94301-08140	DOWEL PIN, 8X14	2	
014	96100-6205000	BEARING, RADIAL BALL, 6205	1	

GX200T(LX2)

E-28 LABEL (1)

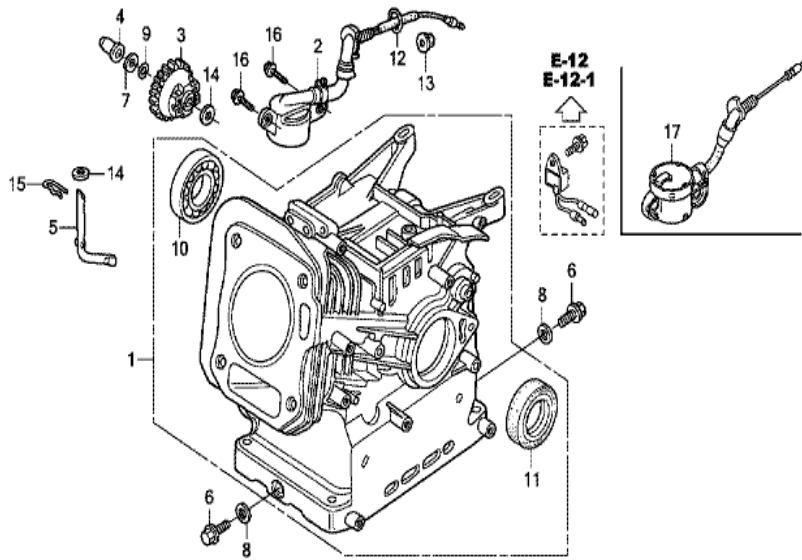


Z0VDE2800L

Ref	Partnumber	Description	GX200T	Serial Numbers
004	87521-ZL0-020	EMBLEM (6.5)	1	
004	87521-ZL0-020	EMBLEM (6.5)	1	
004	87521-ZL0-020	EMBLEM (6.5)	1	
006	87522-Z0T-800	LABEL, CAUTION	1	
009	87528-ZE1-810	MARK, CHOKE	1	
009	87528-ZE1-810	MARK, CHOKE	1	
009	87528-ZE1-810	MARK, CHOKE	1	
012	87532-ZH8-810	MARK, OIL ALERT (ENGLISH)	1	

GX200T(LX2)

E-3 CYLINDER BARREL



Z0V0E0300C

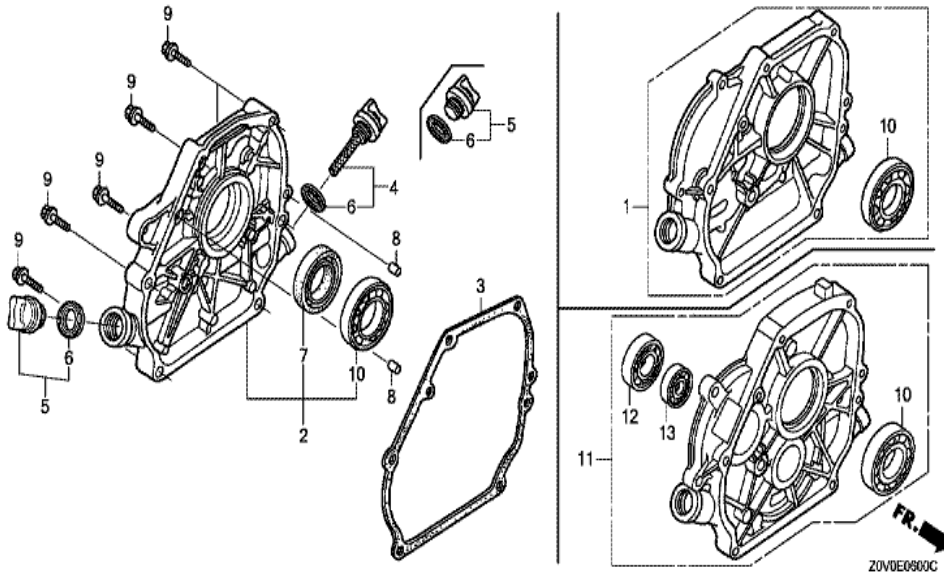


Z0V0E0300C

Ref	Partnumber	Description	GX200T	Serial Numbers
001	12000-Z0V-406	BARREL ASSY., CYLINDER	1	
001	12000-Z0V-406	BARREL ASSY., CYLINDER	1	
001	12000-Z0V-406	BARREL ASSY., CYLINDER	1	
002	15510-ZE1-033	SWITCH ASSY., OIL LEVEL	1	
003	16506-ZL0-000	GOVERNOR ASSY.	1	
004	16531-ZE1-000	SLIDER, GOVERNOR	1	
005	16541-ZE1-000	SHAFT, GOVERNOR ARM	1	
006	90131-ZE1-000	BOLT, DRAIN PLUG	2	
007	90451-ZE1-000	WASHER, THRUST, 6MM	1	
008	90601-ZE1-000	WASHER, DRAIN PLUG, 10.2MM	2	
009	90602-ZE1-000	CLIP, GOVERNOR HOLDER	1	
010	91001-ZF1-003	BEARING, RADIAL BALL (6205TMB) (NTN)	1	
010	91001-ZF1-003	BEARING, RADIAL BALL (6205TMB) (NTN)	1	
<u>Ref</u>	<u>Partnumber</u>	<u>Description</u>	<u>GX200T</u>	<u>Serial Numbers</u>
010	91001-ZF1-004	BEARING, RADIAL BALL (6205SH) (KOYO)	1	
010	91001-ZF1-004	BEARING, RADIAL BALL (6205SH) (KOYO)	1	
011	91201-Z0T-801	OIL SEAL, 25X41X6	1	
012	91353-671-004	O-RING, 14MM (NOK)	1	
013	94050-10000	NUT, FLANGE, 10MM	1	
014	94101-06800	WASHER, PLAIN, 6MM	2	
015	94251-08000	PIN, LOCK, 8MM	1	
016	95701-0601200	BOLT, FLANGE, 6X12	2	

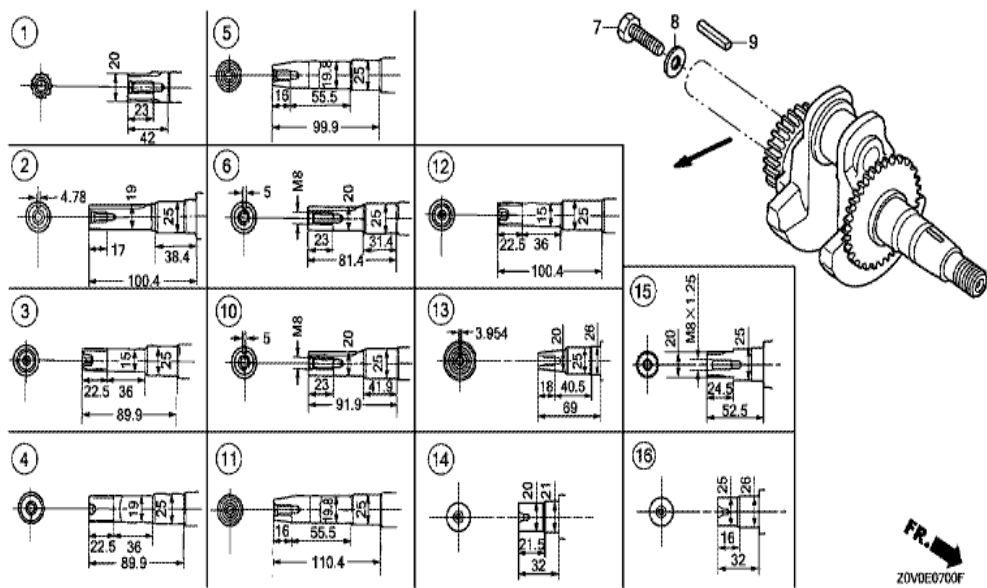
GX200T(LX2)

E-6 CRANKCASE COVER (1)



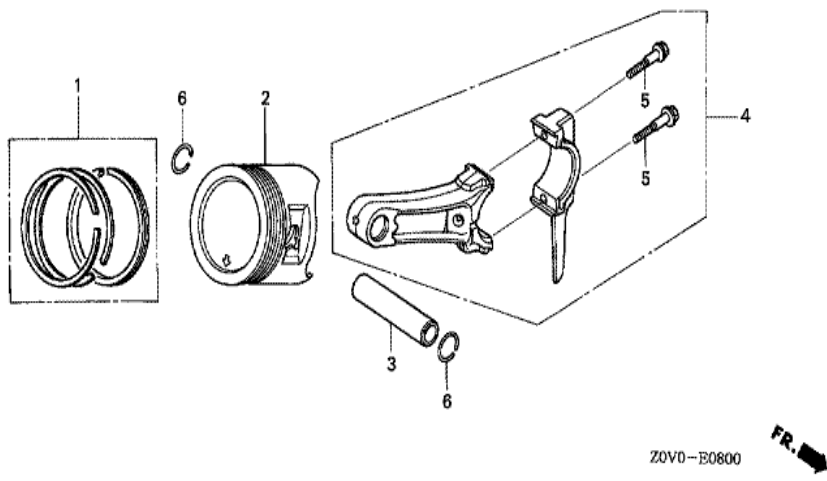
Ref	Partnumber	Description	GX200T	Serial Numbers
001	11300-ZE1-613	COVER ASSY., CRANKCASE	1	
003	11381-ZL0-000	PACKING, CASE COVER	1	
003	11381-ZL0-000	PACKING, CASE COVER	1	
004	15600-ZOT-810	CAP ASSY., OIL FILLER (GAUGE) (GRAY)	1	
005	15600-ZOT-820	CAP ASSY., OIL FILLER (BLACK)	1	
006	15625-ZOT-800	PACKING, OIL FILLER CAP	2	
006	15625-ZOT-800	PACKING, OIL FILLER CAP	2	
007	91201-ZOT-801	OIL SEAL, 25X41X6	1	
008	94301-08140	DOWEL PIN, 8X14	2	
009	95701-0803200	BOLT, FLANGE, 8X32	6	
010	96100-6205000	BEARING, RADIAL BALL, 6205	1	
010	96100-6205000	BEARING, RADIAL BALL, 6205	1	

GX200T(LX2)	E-7 CRANKSHAFT
-------------	----------------



Ref	Partnumber	Description	GX200T	Serial Numbers
001	13310-ZLO-611	CRANKSHAFT COMP.	1	

GX200T(LX2)	E-8 PISTON
-------------	------------

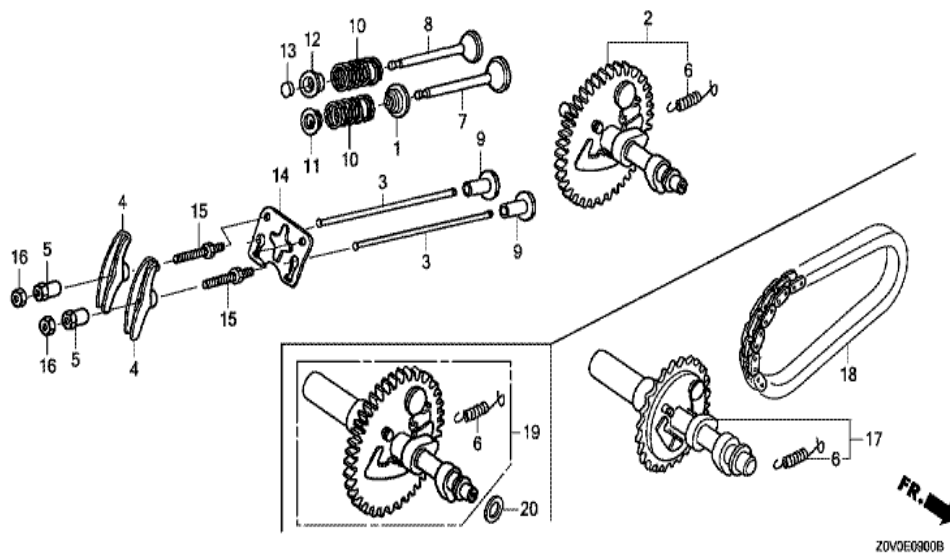


Ref	Partnumber	Description	GX200T	Serial Numbers
001	13010-ZOT-801	RING SET, PISTON (STD.) (RIKEN)	1	
001	13011-ZOT-801	RING SET, PISTON (0.25) (RIKEN)	(1)	1385828
001	13011-ZOT-801	RING SET, PISTON (0.25) (RIKEN)	(1)	
001	13012-ZOT-801	RING SET, PISTON (0.50) (RIKEN)	(1)	1385828
001	13012-ZOT-801	RING SET, PISTON (0.50) (RIKEN)	(1)	
001	13013-ZOT-801	RING SET, PISTON (0.75) (RIKEN)	(1)	1385828
001	13013-ZOT-801	RING SET, PISTON (0.75) (RIKEN)	(1)	
001	13013-ZLO-003	RING SET, PISTON (0.75) (TEIKOKU)	(1)	
001	13013-ZLO-003	RING SET, PISTON (0.75) (TEIKOKU)	(1)	
001	13013-ZLO-004	RING SET, PISTON (0.75) (NIPPON)	(1)	
001	13013-ZLO-004	RING SET, PISTON (0.75) (NIPPON)	(1)	
002	13101-ZOT-800	PISTON (STD.)	1	
002	13102-ZOT-800	PISTON (0.25)	(1)	

<u>Ref</u>	<u>Partnumber</u>	<u>Description</u>	<u>GX200T</u>	<u>Serial Numbers</u>
002	13102-Z0T-800	PISTON (0.25)	(1)	
002	13102-Z0T-800	PISTON (0.25)	(1)	
002	13102-Z0T-800	PISTON (0.25)	(1)	
002	13102-Z0T-800	PISTON (0.25)	(1)	
002	13103-Z0T-800	PISTON (0.50)	(1)	
002	13103-Z0T-800	PISTON (0.50)	(1)	
002	13103-Z0T-800	PISTON (0.50)	(1)	
002	13103-Z0T-800	PISTON (0.50)	(1)	
002	13103-Z0T-800	PISTON (0.50)	(1)	
002	13104-Z0T-800	PISTON (0.75)	(1)	
002	13104-Z0T-800	PISTON (0.75)	(1)	
002	13104-Z0T-800	PISTON (0.75)	(1)	
002	13104-Z0T-800	PISTON (0.75)	(1)	
002	13104-Z0T-800	PISTON (0.75)	(1)	
003	13111-ZE1-000	PIN, PISTON	1	
003	13111-ZE1-000	PIN, PISTON	1	
003	13111-ZE1-000	PIN, PISTON	1	
004	13200-Z0T-800	ROD ASSY., CONNECTING (TH)	1	
005	90001-ZE1-000	BOLT, CONNECTING ROD	2	
006	90551-ZE1-000	CLIP, PISTON PIN, 18MM	2	

GX200T(LX2)

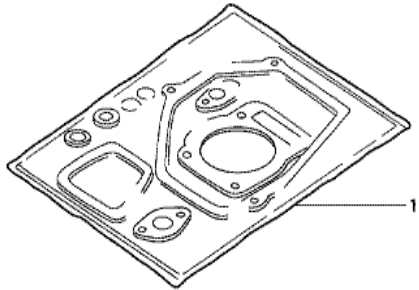
E-9 CAMSHAFT



Z0V0E9900B

<u>Ref</u>	<u>Partnumber</u>	<u>Description</u>	<u>GX200T</u>	<u>Serial Numbers</u>
001	12209-ZH8-003	SEAL, VALVE STEM	1	
001	12209-ZH8-003	SEAL, VALVE STEM	1	
002	14100-ZL0-000	CAMSHAFT ASSY.	1	
002	14100-ZL0-000	CAMSHAFT ASSY.	1	
003	14410-ZE1-010	ROD, PUSH	2	
003	14410-ZE1-010	ROD, PUSH	2	
004	14431-ZE1-000	ARM, VALVE ROCKER	2	
005	14451-ZE1-013	PIVOT, ROCKER ARM	2	
005	14451-ZE1-013	PIVOT, ROCKER ARM	2	
006	14568-ZE1-000	SPRING, WEIGHT RETURN	1	
006	14568-ZE1-000	SPRING, WEIGHT RETURN	1	
007	14711-ZF1-000	VALVE, IN.	1	
007	14711-ZF1-000	VALVE, IN.	1	
<u>Ref</u>	<u>Partnumber</u>	<u>Description</u>	<u>GX200T</u>	<u>Serial Numbers</u>
007	14711-ZF1-000	VALVE, IN.	1	
008	14721-ZF1-000	VALVE, EX.	1	
008	14721-ZF1-000	VALVE, EX.	1	
008	14721-ZF1-000	VALVE, EX.	1	
009	14731-ZL0-000	LIFTER, VALVE	2	
010	14751-ZF1-000	SPRING, VALVE	2	
011	14771-ZE1-000	RETAINER, IN. VALVE SPRING	1	
011	14771-ZE1-000	RETAINER, IN. VALVE SPRING	1	
012	14773-ZE1-000	RETAINER, EX. VALVE SPRING	1	
012	14773-ZE1-000	RETAINER, EX. VALVE SPRING	1	
012	14773-ZE1-000	RETAINER, EX. VALVE SPRING	1	
013	14781-ZE1-000	ROTATOR, VALVE	1	
014	14791-ZE1-010	PLATE, PUSH ROD GUIDE	1	
014	14791-ZE1-010	PLATE, PUSH ROD GUIDE	1	
015	90012-ZE0-010	BOLT, PIVOT, 8MM	2	
016	90206-ZE1-000	NUT, PIVOT ADJUSTING	2	

GX200T(LX2)	EOP-1 GASKET KIT
-------------	------------------



HENG-X0003

<u>Ref</u>	<u>Partnumber</u>	<u>Description</u>	<u>GX200T</u>	<u>Serial Numbers</u>
001	06111-ZL0-000	GASKET KIT	1	