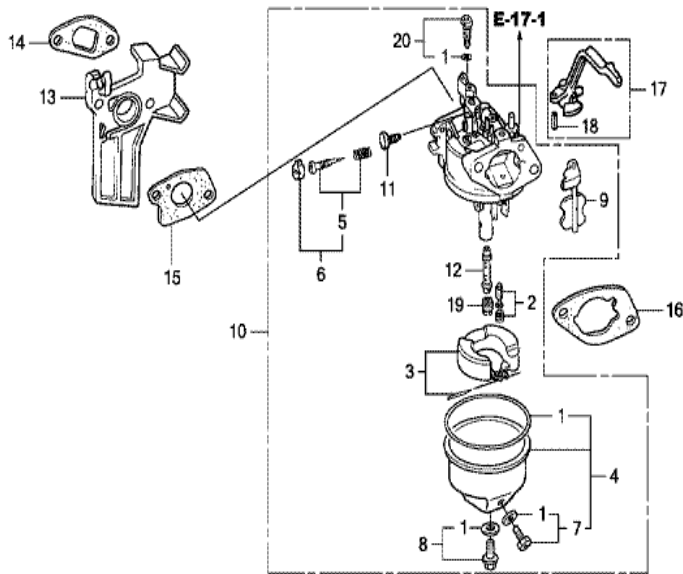


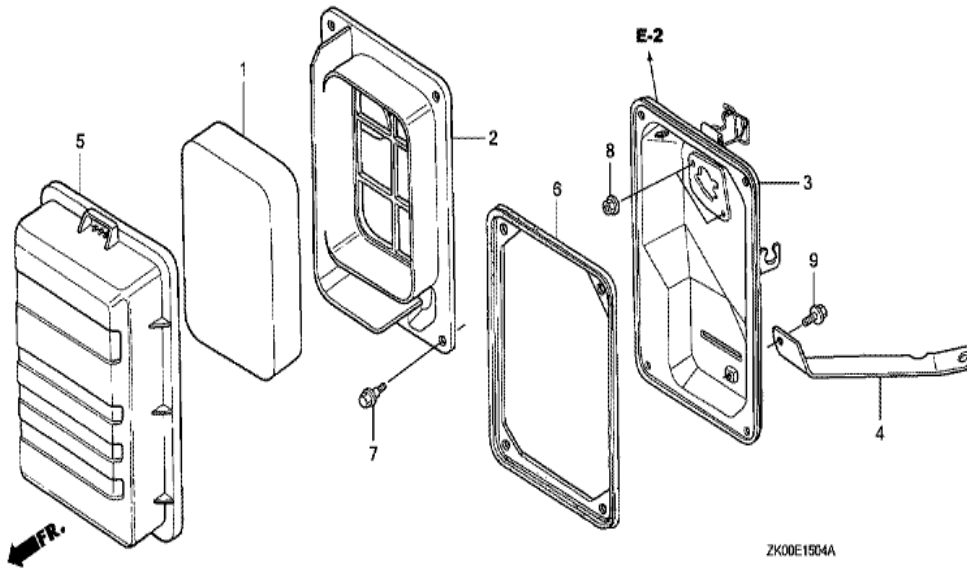
<u>Ref</u>	<u>Partnumber</u>	<u>Description</u>	<u>GX200</u>	<u>Serial Numbers</u>
001	16584-883-300	SPRING, CONTROL ADJUSTING	1	
002	19610-ZL0-000ZK	COVER COMP., FAN *NH105 *	1	
002	19610-ZL0-000ZK	COVER COMP., FAN *NH105 *	1	
006	19613-ZE1-020	CLAMP, CORD	1	
007	19620-ZL0-V30	SHROUD ASSY., UPPER	1	
011	34150-ZH7-003	ALERT UNIT, OIL	1	
011	34150-ZH7-003	ALERT UNIT, OIL	1	2222937
011	34150-ZH7-013	ALERT UNIT, OIL	1	2222938
011	34150-ZH7-013	ALERT UNIT, OIL	1	2222938
013	36101-ZB2-010	CORD, STOP SWITCH (395MM)	1	
014	81329-567-020	GROMMET, DRAIN HOLE	1	
015	90013-883-000	BOLT, FLANGE, 6X12 (CT200)	4	
015	90013-883-000	BOLT, FLANGE, 6X12 (CT200)	8	
<u>Ref</u>	<u>Partnumber</u>	<u>Description</u>	<u>GX200</u>	<u>Serial Numbers</u>
016	90022-888-010	BOLT, FLANGE, 6X20 (CT200)	1	
019	93500-050350A	SCREW, PAN, 5X35	1	
020	95701-0600800	BOLT, FLANGE, 6X8	1	
021	19611-ZH8-810	PLATE COMP., SIDE (OIL ALERT)	1	
023	95701-0600800	BOLT, FLANGE, 6X8	1	
024	19640-ZL0-V30	SHROUD COMP., LOWER	1	



ZK00E1402A

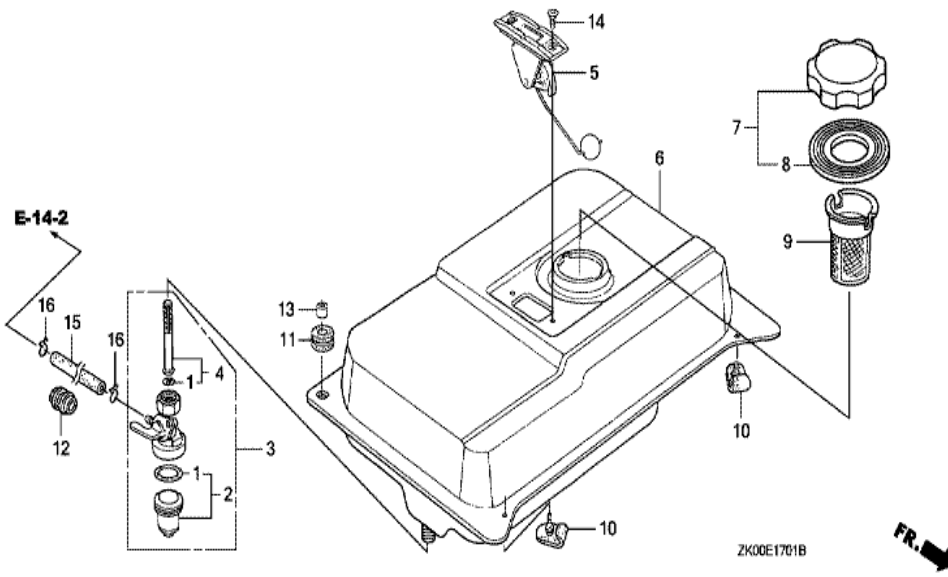


<u>Ref</u>	<u>Partnumber</u>	<u>Description</u>	<u>GX200</u>	<u>Serial Numbers</u>
001	16010-ZB1-015	GASKET SET	1	
002	16011-ZE0-005	VALVE SET, FLOAT	1	
003	16013-ZE0-005	FLOAT SET	1	
004	16015-ZE0-831	CHAMBER SET, FLOAT	1	
006	16016-ZH7-W01	SCREW SET, PILOT	1	
007	16024-ZE1-811	SCREW SET, DRAIN	1	
008	16028-ZE0-005	SCREW SET	1	
009	16044-ZE0-005	CHOKE SET	1	
010	16100-ZK0-V51	CARBURETOR ASSY. (BE74L A)	1	2075992
010	16100-ZL0-V32	CARBURETOR ASSY. (BE74A C)	1	1977200
010	16100-ZL0-V32	CARBURETOR ASSY. (BE74A C)	1	2075991
011	16124-ZE0-005	SCREW, THROTTLE STOP	1	
012	16166-ZL0-000	NOZZLE, MAIN	1	
<u>Ref</u>	<u>Partnumber</u>	<u>Description</u>	<u>GX200</u>	<u>Serial Numbers</u>
013	16211-ZL0-000	INSULATOR, CARBURETOR	1	
014	16212-ZH8-800	PACKING, INSULATOR	1	
015	16221-ZH8-801	PACKING, CARBURETOR	1	
016	16269-ZE1-800	PACKING, AIR CLEANER	1	
017	16610-ZB2-000	LEVER COMP., CHOKE	1	
018	94305-20122	PIN, SPRING, 2X12	1	
019	99101-ZH80720	JET, MAIN, #72	(1)	
019	99101-ZH80750	JET, MAIN, #75	(1)	
019	99101-ZH80750	JET, MAIN, #75	(1)	
019	99101-ZH80780	JET, MAIN, #78	1	
019	99101-ZH80780	JET, MAIN, #78	1	
020	99204-ZE20400	JET SET, PILOT, #40	1	

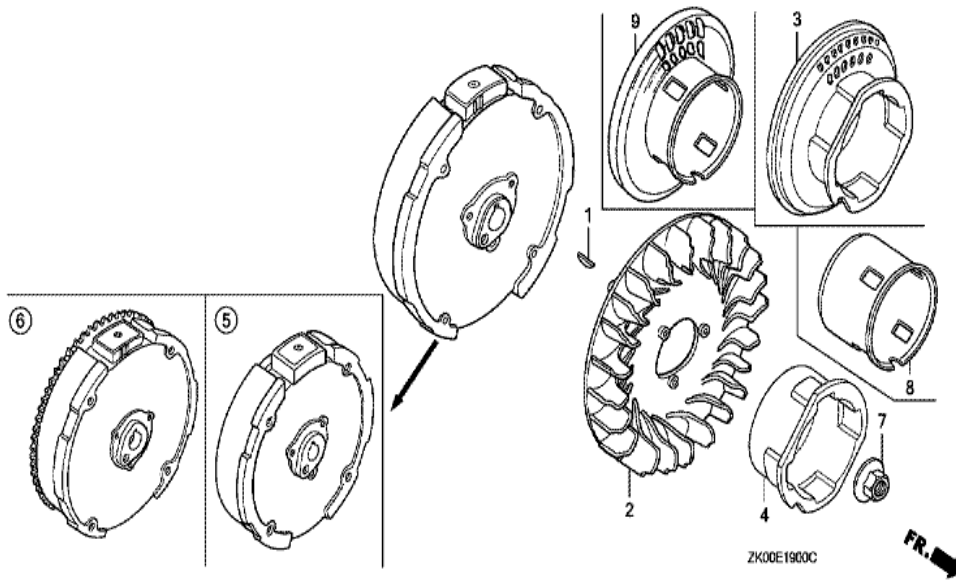


ZK00E1504A

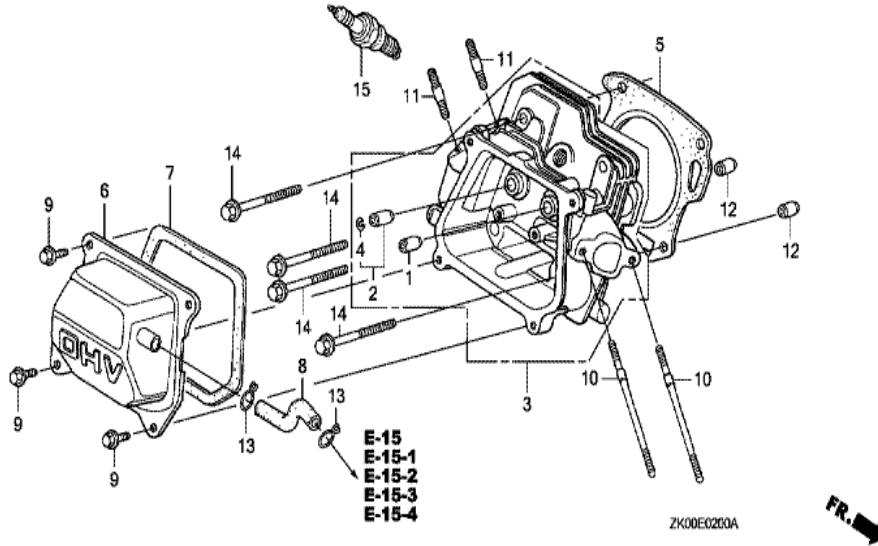
Ref	Partnumber	Description	GX200	Serial Numbers
001	17211-ZB2-000	ELEMENT, AIR CLEANER	1	
002	17212-ZB2-000	SEPARATOR, AIR CLEANER	1	
003	17220-ZB2-000	CASE COMP., AIR CLEANER	1	
004	17222-ZL0-V30	STAY, AIR CLEANER	1	
005	17231-ZB2-000	COVER, AIR CLEANER	1	
006	17252-ZB2-000	SEAL, AIR CLEANER	1	
007	90115-459-770	BOLT, WINKER SETTING	4	
008	94050-06080	NUT, FLANGE, 6MM	2	
009	95701-0601000	BOLT, FLANGE, 6X10	1	



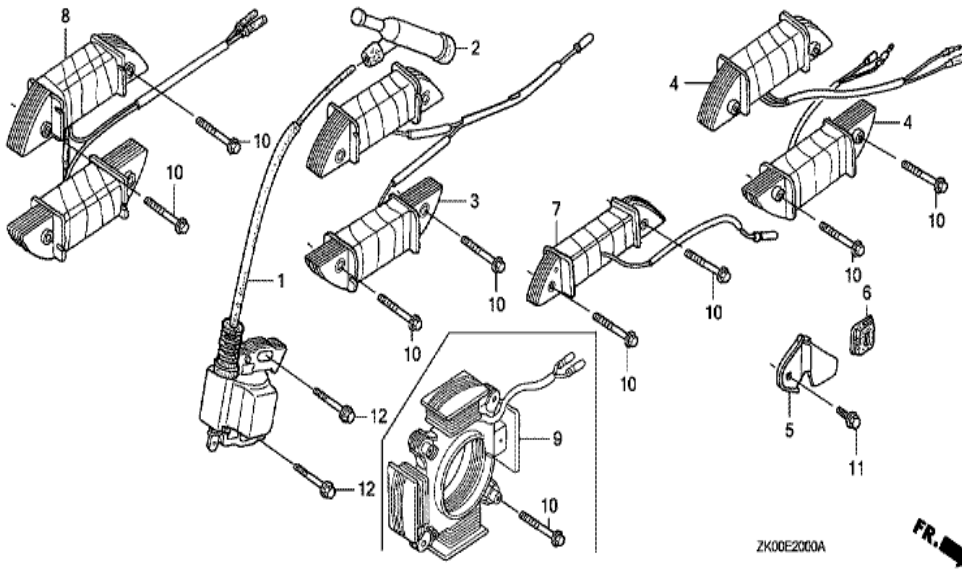
Ref	Partnumber	Description	GX200	Serial Numbers
012	90854-ZB3-000	RUBBER, FUEL (9X15X20)	1	
015	95001-4518040	TUBE, FUEL, 4.5X180 (95001-45001-60M)	1	
015	95001-4518040	TUBE, FUEL, 4.5X180 (95001-45001-60M)	1	
016	95002-02080	CLIP, TUBE (B8)	2	



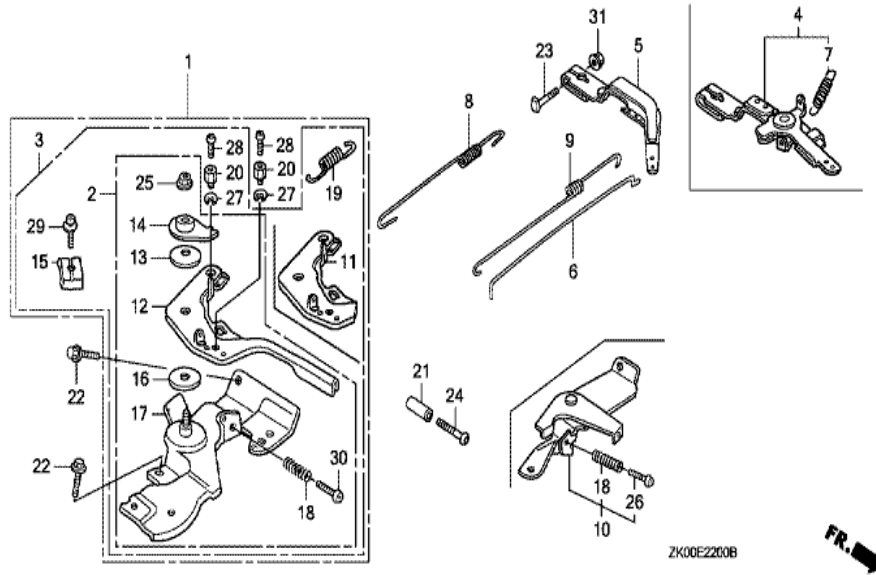
Ref	Partnumber	Description	GX200	Serial Numbers
001	13331-357-000	KEY, SPECIAL WOODRUFF, 25X18	1	
002	19511-ZE1-000	FAN, COOLING	1	
004	28451-ZL0-000	PULLEY, STARTER	1	1937022
004	28451-ZL0-000	PULLEY, STARTER	1	
005	31100-ZE7-010	FLYWHEEL COMP. (STD.)	1	
007	90201-878-003	NUT, SPECIAL, 14MM	1	



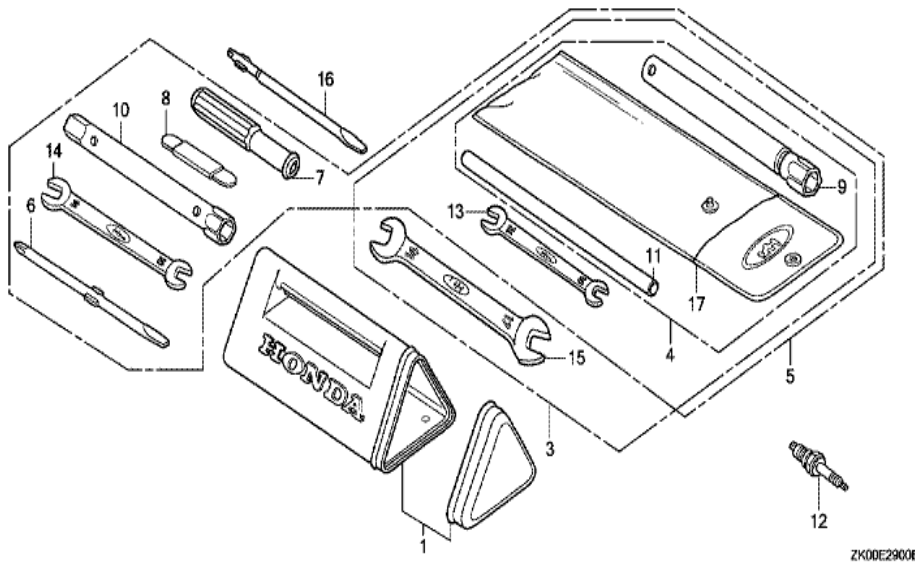
<u>Ref</u>	<u>Partnumber</u>	<u>Description</u>	<u>GX200</u>	<u>Serial Numbers</u>
001	12204-ZE1-306	GUIDE, IN. VALVE (OS)	1	
002	12205-ZE1-315	GUIDE, EX. VALVE (OS)	1	
003	12210-ZL0-405	HEAD COMP., CYLINDER	1	
003	12210-ZL0-405	HEAD COMP., CYLINDER	1	2060339
003	12210-ZL0-415	HEAD COMP., CYLINDER	1	2060340
003	12210-ZL0-415	HEAD COMP., CYLINDER	1	2060340
004	12216-ZE5-300	CLIP, VALVE GUIDE	1	
005	12251-ZL0-003	GASKET, CYLINDER HEAD (NIPPON LEAKLESS)	1	
006	12310-ZE1-020	COVER COMP., HEAD	1	
007	12391-ZE1-000	PACKING, HEAD COVER	1	
008	15721-883-030	TUBE, BREATHER	1	
009	90013-883-000	BOLT, FLANGE, 6X12 (CT200)	4	
010	90043-ZB2-003	BOLT, STUD, 6X94	2	
<u>Ref</u>	<u>Partnumber</u>	<u>Description</u>	<u>GX200</u>	<u>Serial Numbers</u>
011	90047-ZE1-000	BOLT, STUD, 8X32	2	
012	94301-10160	DOWEL PIN, 10X16	2	
014	95701-0806000	BOLT, FLANGE, 8X60	4	2218105
014	95723-0806000	BOLT, FLANGE, 8X60	4	
014	95723-0806000	BOLT, FLANGE, 8X60	4	2218104
015	98079-55846	PLUG, SPARK (BPR5ES) (NGK)	(1)	
015	98079-55855	PLUG, SPARK (W16EPR-U) (DENSO)	(1)	
015	98079-55855	PLUG, SPARK (W16EPR-U) (DENSO)	(1)	
015	98079-56846	PLUG, SPARK (BPR6ES) (NGK)	1	
015	98079-56846	PLUG, SPARK (BPR6ES) (NGK)	1	
015	98079-56855	PLUG, SPARK (W20EPR-U) (DENSO)	1	
015	98079-56855	PLUG, SPARK (W20EPR-U) (DENSO)	1	



Ref	Partnumber	Description	GX200	Serial Numbers
001	30500-ZE1-043	COIL ASSY., IGNITION	1	
001	30500-ZE1-043	COIL ASSY., IGNITION	1	2018936
001	30500-ZE1-053	COIL ASSY., IGNITION	1	2018937 2030952
001	30500-ZE1-053	COIL ASSY., IGNITION	1	2018937 2030952
001	30500-ZE1-063	COIL ASSY., IGNITION	1	2030953
001	30500-ZE1-063	COIL ASSY., IGNITION	1	2030953
002	30700-ZE1-013	CAP ASSY., NOISE SUPPRESSOR (NICHIWA Y-E	1	
002	30700-ZE1-013	CAP ASSY., NOISE SUPPRESSOR (NICHIWA Y-E	1	
012	90121-952-000	BOLT, FLANGE, 6X25 (CT200)	2	

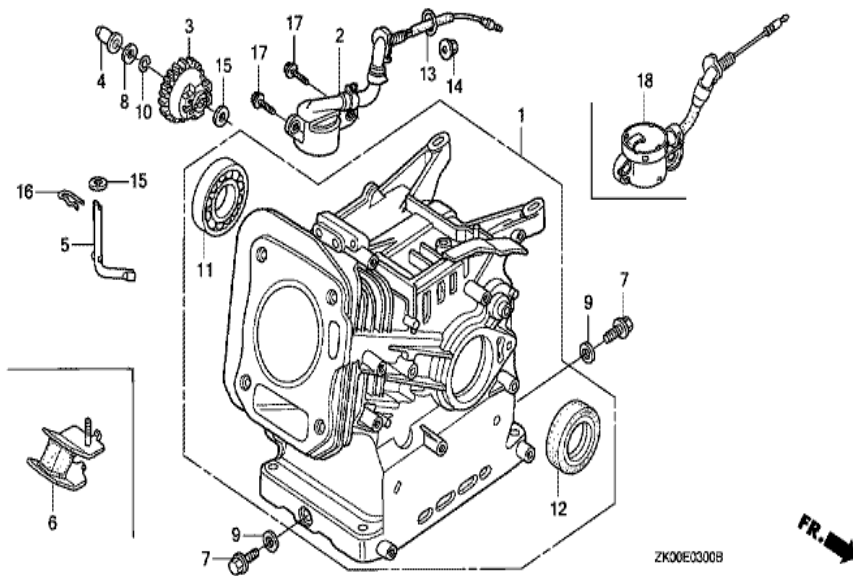


Ref	Partnumber	Description	GX200	Serial Numbers
005	16551-ZL0-000	ARM, GOVERNOR	1	
006	16555-ZE1-000	ROD, GOVERNOR	1	
008	16561-ZL0-V30	SPRING, GOVERNOR	1	
008	16561-ZL0-V30	SPRING, GOVERNOR	1	
009	16562-ZE1-020	SPRING, THROTTLE RETURN	1	
021	16599-ZG1-M10	COLLAR, STOPPER	(1)	
023	90015-ZE5-010	BOLT, GOVERNOR ARM	1	
024	90016-ZG9-N30	SCREW, RECESSED, 5X25	(1)	
026	93500-050350A	SCREW, PAN, 5X35	1	
026	93500-050350A	SCREW, PAN, 5X35	1	
031	94050-06000	NUT, FLANGE, 6MM	1	

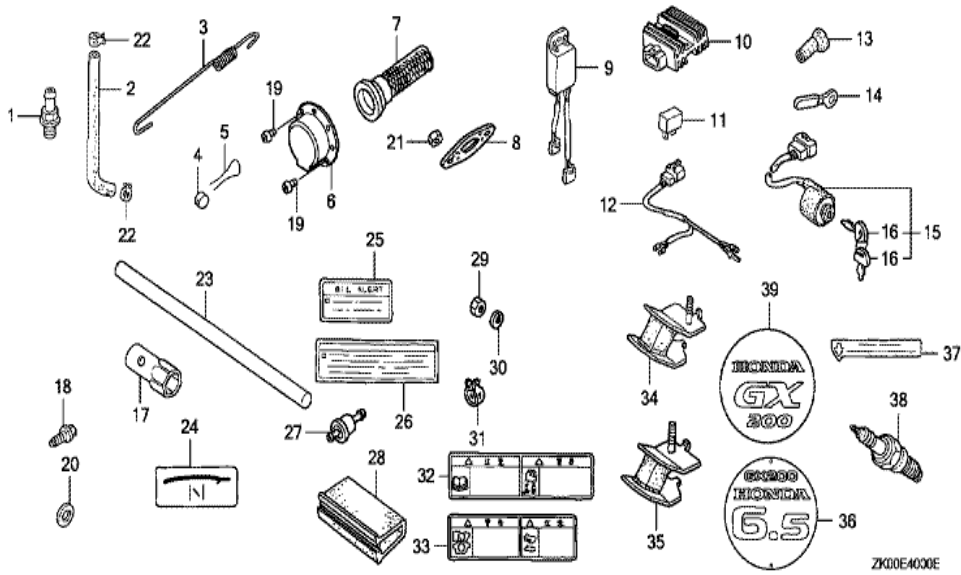


ZK00E2900B

Ref	Partnumber	Description	GX200	Serial Numbers
009	99004-21001	WRENCH, BOX (P21)	1	
009	99004-21001	WRENCH, BOX (P21)	1	

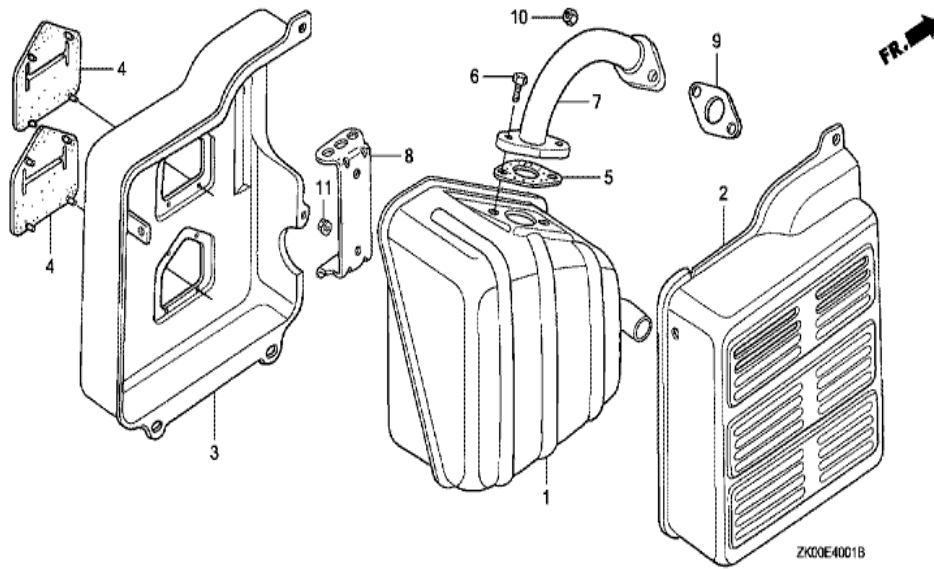


<u>Ref</u>	<u>Partnumber</u>	<u>Description</u>	<u>GX200</u>	<u>Serial Numbers</u>
001	12000-ZL0-417	BARREL ASSY., CYLINDER	1	
001	12000-ZL0-417	BARREL ASSY., CYLINDER	1	
002	15510-ZE1-033	SWITCH ASSY., OIL LEVEL	1	
002	15510-ZE1-033	SWITCH ASSY., OIL LEVEL	1	2222937
002	15510-ZE1-043	SWITCH ASSY., OIL LEVEL	1	2222938 2309655
002	15510-ZE1-043	SWITCH ASSY., OIL LEVEL	1	2222938 2309655
003	16506-ZL0-000	GOVERNOR ASSY.	1	
004	16531-ZE1-000	SLIDER, GOVERNOR	1	
005	16541-ZE1-000	SHAFT, GOVERNOR ARM	1	
007	90131-ZE1-000	BOLT, DRAIN PLUG	2	
008	90451-ZE1-000	WASHER, THRUST, 6MM	1	
009	90601-ZE1-000	WASHER, DRAIN PLUG, 10.2MM	2	
010	90602-ZE1-000	CLIP, GOVERNOR HOLDER	1	
<u>Ref</u>	<u>Partnumber</u>	<u>Description</u>	<u>GX200</u>	<u>Serial Numbers</u>
011	91001-ZF1-003	BEARING, RADIAL BALL (6205TMB) (NTN)	1	
011	91001-ZF1-004	BEARING, RADIAL BALL (6205SH) (KOYO)	1	
011	91001-ZF1-004	BEARING, RADIAL BALL (6205SH) (KOYO)	1	
012	91201-ZOT-801	OIL SEAL, 25X41X6 (NOK)	1	
013	91353-671-004	O-RING, 14MM (NOK)	1	
014	94050-10000	NUT, FLANGE, 10MM	1	
015	94101-06800	WASHER, PLAIN, 6MM	2	
016	94251-08000	PIN, LOCK, 8MM	1	
017	95701-0601200	BOLT, FLANGE, 6X12	2	
018	35480-ZOT-003	SWITCH ASSY., OIL LEVEL	1	
018	35480-ZOT-003	SWITCH ASSY., OIL LEVEL	1	2309656



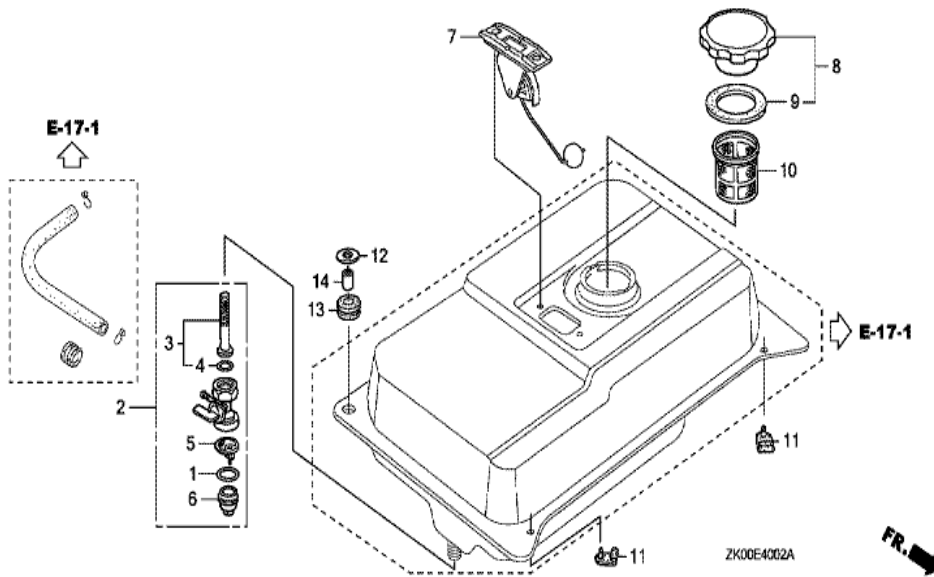
ZK00E4000E

Ref	Partnumber	Description	GX200	Serial Numbers
024	87528-ZB2-630	MARK, CHOKE	1	
026	87533-ZC0-630	MARK, AIR CLEANER (ENGLISH)	1	
034	68326-ZB2-000	RUBBER, FR. BOTTOM	1	
035	68327-ZB2-000	RUBBER, RR. BOTTOM	1	
036	87521-ZL0-020	EMBLEM (6.5)	1	2204292
037	87539-898-620	MARK, EX. CAUTION (ENGLISH/FRENCH)	1	
038	98079-56846	PLUG, SPARK (BPR6ES) (NGK)	1	
038	98079-56846	PLUG, SPARK (BPR6ES) (NGK)	1	
039	87521-ZL0-030	EMBLEM (GX200)	1	
039	87521-ZL0-030	EMBLEM (GX200)	1	2204293

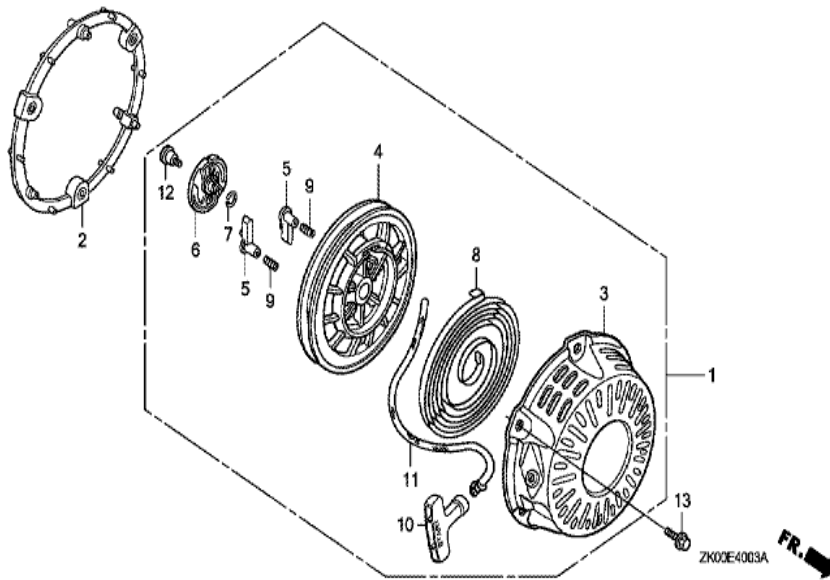


ZK00E4001B

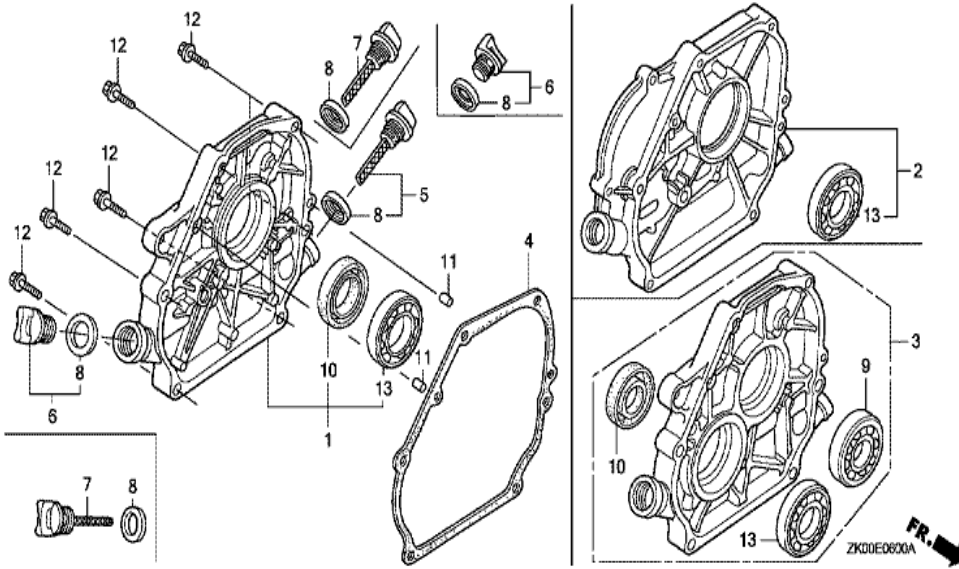
Ref	Partnumber	Description	GX200	Serial Numbers
001	18310-ZB3-C00	MUFFLER COMP.	1	
002	18320-ZB2-000	PROTECTOR, MUFFLER OUTER	1	
003	18325-ZH8-T90	PROTECTOR, MUFFLER INNER (DENYO)	1	
004	18329-ZB2-000	SEAL, MUFFLER PROTECTOR	2	
005	18381-ZE1-800	GASKET, MUFFLER	1	
007	18330-ZT0-000	PIPE COMP., EX.	1	
008	18338-ZB3-E30	STAY, MUFFLER	1	
009	18381-ZH8-800	GASKET, MUFFLER	1	
010	94001-080000S	NUT, HEX., 8MM	2	
011	94050-06000	NUT, FLANGE, 6MM	2	



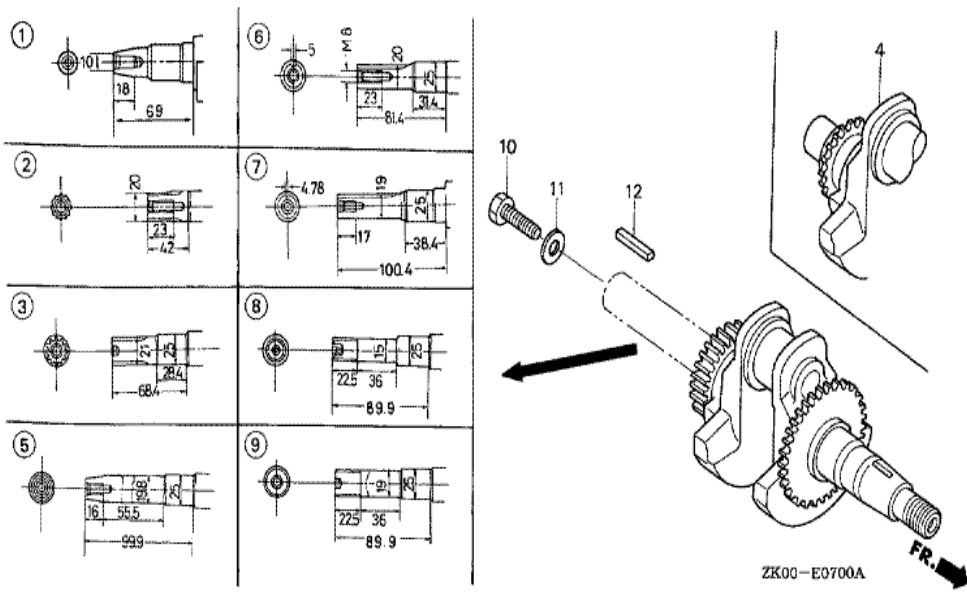
<u>Ref</u>	<u>Partnumber</u>	<u>Description</u>	<u>GX200</u>	<u>Serial Numbers</u>
001	16173-001-004	PACKING, FUEL STRAINER CUP	1	
002	16950-ZB4-015	COCK ASSY., FUEL	1	
003	16952-ZB4-005	SCREEN SET, FUEL STRAINER	1	
004	16958-397-771	O-RING, 9.0X1.3	1	
005	16959-471-831	FILTER, CUP	1	
006	16967-GA6-671	CUP, FUEL STRAINER	1	
007	17505-ZB2-003	METER ASSY., FUEL	1	
008	17620-899-013	CAP COMP., FUEL FILLER	1	
009	17631-899-000	PACKING, FUEL FILLER CAP	1	
010	17670-899-000	FILTER COMP., FUEL	1	
011	50319-ZB2-000	RUBBER, TANK MOUNTING	2	
012	90503-898-000	WASHER, TANK CUSHION	2	
013	90851-898-000	RUBBER, TANK CUSHION	2	
<u>Ref</u>	<u>Partnumber</u>	<u>Description</u>	<u>GX200</u>	<u>Serial Numbers</u>
014	91551-898-000	COLLAR, TANK CUSHION	2	



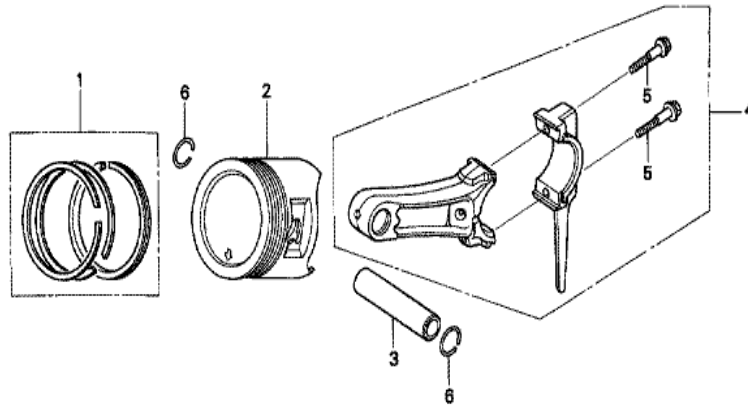
<u>Ref</u>	<u>Partnumber</u>	<u>Description</u>	<u>GX200</u>	<u>Serial Numbers</u>
001	28400-ZB2-C02ZF	STARTER ASSY., RECOIL *NH105 *	1	
001	28400-ZB2-C02ZF	STARTER ASSY., RECOIL *NH105 *	1	2363472
001	28400-ZB2-C03ZF	STARTER ASSY., RECOIL *NH105*	1	2374503
001	28400-ZB2-C03ZF	STARTER ASSY., RECOIL *NH105*	1	2363473
002	28405-ZL0-000ZA	SPACER, RECOIL STARTER MOUNTING *	1	
003	28410-ZB2-C02ZF	CASE COMP., RECOIL STARTER *NH105 *	1	
004	28420-ZH8-013	REEL, RECOIL STARTER (NATURAL)	1	
005	28422-ZH8-013	RATCHET, STARTER	2	
006	28433-ZH8-003	GUIDE, RATCHET	1	
007	28441-ZH8-003	SPRING, FRICTION	1	
008	28442-ZH8-003	SPRING, RECOIL STARTER	1	
009	28443-ZH8-003	SPRING, RETURN	2	
010	28461-ZE1-003	KNOB, RECOIL STARTER	1	2363472
<u>Ref</u>	<u>Partnumber</u>	<u>Description</u>	<u>GX200</u>	<u>Serial Numbers</u>
010	28461-ZE1-013	KNOB, RECOIL STARTER	1	2363473
011	28462-ZH8-003	ROPE, RECOIL STARTER	1	
012	90003-ZH8-003	SCREW, SETTING	1	
013	95701-0601800	BOLT, FLANGE, 6X18	3	



Ref	Partnumber	Description	GX200	Serial Numbers
001	11300-ZE1-634	COVER ASSY., CRANKCASE	1	
001	11300-ZE1-634	COVER ASSY., CRANKCASE	1	
004	11381-ZH8-801	PACKING, CASE COVER (NON ASBESTOS)	1	2416618
004	11381-ZL0-000	PACKING, CASE COVER	1	2416617
005	15600-ZE1-003	CAP ASSY., OIL FILLER (GRAY)	1	
006	15600-ZG4-003	CAP ASSY., OIL FILLER	1	
008	15625-ZE1-003	PACKING, OIL FILLER CAP	2	
010	91201-ZOT-801	OIL SEAL, 25X41X6 (NOK)	1	
011	94301-08140	DOWEL PIN, 8X14	2	
012	95701-0803200	BOLT, FLANGE, 8X32	6	
013	96100-6205000	BEARING, RADIAL BALL, 6205	1	



Ref	Partnumber	Description	GX200	Serial Numbers
005	13310-ZL0-672	CRANKSHAFT COMP.	1	2075992
005	13310-ZL0-672	CRANKSHAFT COMP.	1	

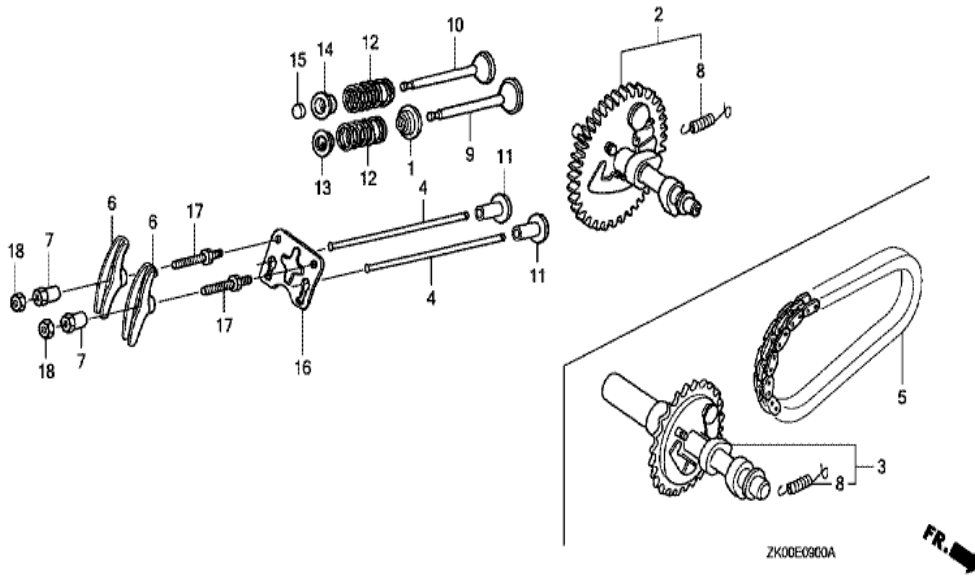


ZK00-E0900

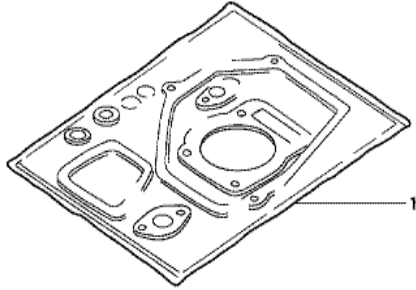


Ref	Partnumber	Description	GX200	Serial Numbers
001	13010-Z4K-004	RING SET, PISTON (STD.) (TPR)	1	2203881
001	13010-ZL0-003	RING SET, PISTON (STD.) (TEIKOKU)	1	2203880
001	13010-ZL0-003	RING SET, PISTON (STD.) (TEIKOKU)	1	2203880
001	13010-ZL0-004	RING SET, PISTON (STD.) (NIPPON)	1	
001	13010-ZL0-004	RING SET, PISTON (STD.) (NIPPON)	1	2203880
001	13011-Z4K-004	RING SET, PISTON (0.25) (TPR)	(1)	2203881
001	13011-Z4K-004	RING SET, PISTON (0.25) (TPR)	(1)	2203881
001	13011-ZL0-003	RING SET, PISTON (0.25) (TEIKOKU)	(1)	2203880
001	13011-ZL0-003	RING SET, PISTON (0.25) (TEIKOKU)	(1)	2203880
001	13011-ZL0-004	RING SET, PISTON (0.25) (NIPPON)	(1)	2203880
001	13011-ZL0-004	RING SET, PISTON (0.25) (NIPPON)	(1)	2203880
001	13012-Z4K-004	RING SET, PISTON (0.50) (TPR)	(1)	2203881
001	13012-Z4K-004	RING SET, PISTON (0.50) (TPR)	(1)	2203881

<u>Ref</u>	<u>Partnumber</u>	<u>Description</u>	<u>GX200</u>	<u>Serial Numbers</u>
001	13012-ZL0-003	RING SET, PISTON (0.50) (TEIKOKU)	(1)	
001	13012-ZL0-003	RING SET, PISTON (0.50) (TEIKOKU)	(1)	2203880
001	13012-ZL0-004	RING SET, PISTON (0.50) (NIPPON)	(1)	2203880
001	13012-ZL0-004	RING SET, PISTON (0.50) (NIPPON)	(1)	2203880
001	13013-Z4K-004	RING SET, PISTON (0.75) (TPR)	(1)	2203881
001	13013-Z4K-004	RING SET, PISTON (0.75) (TPR)	(1)	2203881
001	13013-ZL0-003	RING SET, PISTON (0.75) (TEIKOKU)	(1)	2203880
001	13013-ZL0-003	RING SET, PISTON (0.75) (TEIKOKU)	(1)	2203880
001	13013-ZL0-004	RING SET, PISTON (0.75) (NIPPON)	(1)	
001	13013-ZL0-004	RING SET, PISTON (0.75) (NIPPON)	(1)	2203880
002	13101-ZL0-010	PISTON (STD.)	1	
002	13101-ZL0-010	PISTON (STD.)	1	2203880
002	13101-ZL0-020	PISTON (STD.)	1	2203881
002	13101-ZL0-020	PISTON (STD.)	1	2203881
002	13102-ZL0-010	PISTON (0.25)	(1)	2203880
002	13102-ZL0-010	PISTON (0.25)	(1)	2203880
002	13102-ZL0-020	PISTON (0.25)	(1)	2203881
002	13102-ZL0-020	PISTON (0.25)	(1)	2203881
002	13103-ZL0-010	PISTON (0.50)	(1)	
002	13103-ZL0-010	PISTON (0.50)	(1)	2203880
002	13103-ZL0-020	PISTON (0.50)	(1)	2203881
002	13103-ZL0-020	PISTON (0.50)	(1)	2203881
002	13104-ZL0-010	PISTON (0.75)	(1)	
002	13104-ZL0-010	PISTON (0.75)	(1)	2203880
002	13104-ZL0-020	PISTON (0.75)	(1)	2203881
002	13104-ZL0-020	PISTON (0.75)	(1)	2203881
003	13111-ZE1-000	PIN, PISTON	1	
004	13200-ZE1-010	ROD ASSY., CONNECTING (STD.)	1	2352733
004	13200-ZE1-020	ROD ASSY., CONNECTING (STD.)	1	2352734
005	90001-ZE1-000	BOLT, CONNECTING ROD	2	
006	90551-ZE1-000	CLIP, PISTON PIN, 18MM	2	



<u>Ref</u>	<u>Partnumber</u>	<u>Description</u>	<u>GX200</u>	<u>Serial Numbers</u>
001	12209-ZH8-003	SEAL, VALVE STEM	1	
002	14100-ZL0-000	CAMSHAFT ASSY.	1	
004	14410-ZE1-010	ROD, PUSH	2	
006	14431-ZE1-000	ARM, VALVE ROCKER	2	
007	14451-ZE1-013	PIVOT, ROCKER ARM	2	
008	14568-ZE1-000	SPRING, WEIGHT RETURN	1	
009	14711-ZF1-000	VALVE, IN.	1	
010	14721-ZF1-000	VALVE, EX.	1	
010	14721-ZF1-000	VALVE, EX.	1	
011	14731-ZL0-000	LIFTER, VALVE	2	
012	14751-ZF1-000	SPRING, VALVE	2	
013	14771-ZE1-000	RETAINER, IN. VALVE SPRING	1	
014	14773-Z4X-000	RETAINER, EX. VALVE SPRING	1	2370422
<u>Ref</u>	<u>Partnumber</u>	<u>Description</u>	<u>GX200</u>	<u>Serial Numbers</u>
014	14773-ZE1-000	RETAINER, EX. VALVE SPRING	1	2370421
014	14773-ZE1-000	RETAINER, EX. VALVE SPRING	1	2370421
015	14781-ZE1-000	ROTATOR, VALVE	1	
016	14791-ZE1-010	PLATE, PUSH ROD GUIDE	1	
017	90012-ZE0-010	BOLT, PIVOT, 8MM	2	
018	90206-ZE1-000	NUT, PIVOT ADJUSTING	2	



HENG-X0003

<u>Ref</u>	<u>Partnumber</u>	<u>Description</u>	<u>GX200</u>	<u>Serial Numbers</u>
001	06111-ZLO-000	GASKET KIT	1	