

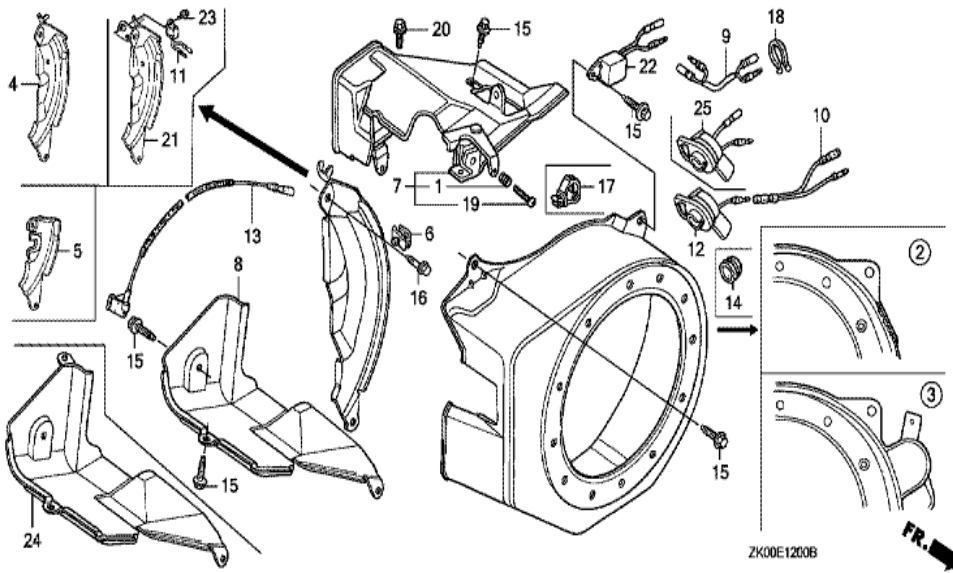


| <u>Ref</u> | <u>Partnumber</u> | <u>Description</u>                | <u>GX200</u> | <u>Serial Numbers</u> |
|------------|-------------------|-----------------------------------|--------------|-----------------------|
| 002        | 28405-ZL0-000ZD   | SPACER, RECOIL STARTER MOUNTING * | 1            | 1937022               |
| 002        | 28405-ZL0-000ZD   | SPACER, RECOIL STARTER MOUNTING * | 1            | 1937022               |
| 004        | 28410-ZH8-D51     | CASE COMP., RECOIL STARTER        | 1            | 1937022               |
| 005        | 28420-ZH8-013     | REEL, RECOIL STARTER (NATURAL)    | 1            |                       |
| 005        | 28420-ZH8-013     | REEL, RECOIL STARTER (NATURAL)    | 1            | 1937022               |
| 006        | 28422-ZH8-013     | RATCHET, STARTER                  | 2            |                       |
| 006        | 28422-ZH8-013     | RATCHET, STARTER                  | 2            | 1937022               |
| 007        | 28433-ZH8-003     | GUIDE, RATCHET                    | 1            |                       |
| 007        | 28433-ZH8-003     | GUIDE, RATCHET                    | 1            | 1937022               |
| 008        | 28441-ZH8-003     | SPRING, FRICTION                  | 1            |                       |
| 008        | 28441-ZH8-003     | SPRING, FRICTION                  | 1            | 1937022               |
| 009        | 28442-ZH8-003     | SPRING, RECOIL STARTER            | 1            |                       |
| 009        | 28442-ZH8-003     | SPRING, RECOIL STARTER            | 1            | 1937022               |
| <u>Ref</u> | <u>Partnumber</u> | <u>Description</u>                | <u>GX200</u> | <u>Serial Numbers</u> |
| 010        | 28443-ZH8-003     | SPRING, RETURN                    | 2            |                       |
| 010        | 28443-ZH8-003     | SPRING, RETURN                    | 2            | 1937022               |
| 011        | 28461-ZH8-003     | GRIP, STARTER                     | 1            |                       |
| 011        | 28461-ZH8-003     | GRIP, STARTER                     | 1            | 1937022               |
| 012        | 28462-ZH8-003     | ROPE, RECOIL STARTER              | 1            |                       |
| 012        | 28462-ZH8-003     | ROPE, RECOIL STARTER              | 1            | 1937022               |
| 014        | 90003-ZH8-003     | SCREW, SETTING                    | 1            |                       |
| 014        | 90003-ZH8-003     | SCREW, SETTING                    | 1            | 1937022               |
| 015        | 95701-0601800     | BOLT, FLANGE, 6X18                | 3            | 1937022               |
| 015        | 95701-0601800     | BOLT, FLANGE, 6X18                | 3            | 1937022               |
| 017        | 28400-ZH8-D52     | STARTER ASSY., RECOIL             | 1            | 1937022               |

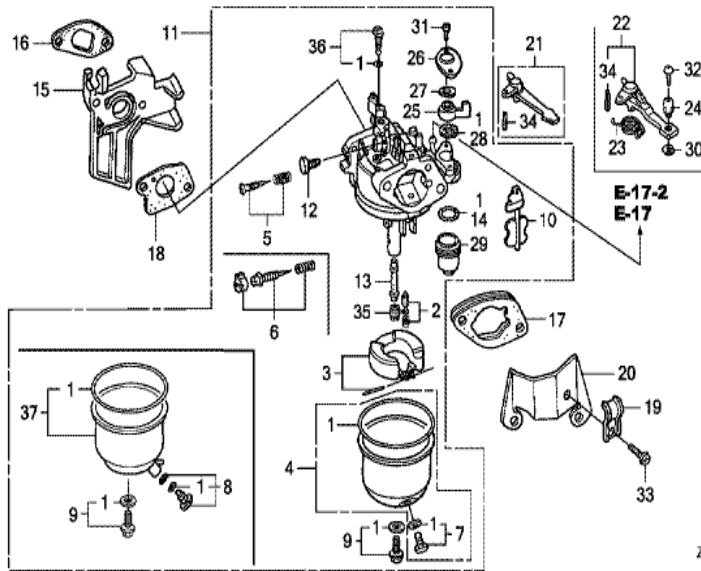


| Ref | Partnumber      | Description                       | GX200 | Serial Numbers  |
|-----|-----------------|-----------------------------------|-------|-----------------|
| 002 | 28405-ZL0-000ZA | SPACER, RECOIL STARTER MOUNTING * | 1     |                 |
| 002 | 28405-ZL0-000ZA | SPACER, RECOIL STARTER MOUNTING * | 1     | 1937023         |
| 002 | 28405-ZL0-000ZD | SPACER, RECOIL STARTER MOUNTING * | 1     | 1937023         |
| 002 | 28405-ZL0-000ZD | SPACER, RECOIL STARTER MOUNTING * | 1     | 1937023         |
| 004 | 28421-Z0T-003   | REEL, RECOIL STARTER              | 1     | 2429192         |
| 004 | 28421-ZH8-801   | REEL, RECOIL STARTER (BLACK)      | 1     |                 |
| 004 | 28421-ZH8-801   | REEL, RECOIL STARTER (BLACK)      | 1     | 1937023         |
| 004 | 28421-ZH8-801   | REEL, RECOIL STARTER (BLACK)      | 1     | 1937023 2429191 |
| 005 | 28422-ZH8-801   | RATCHET, STARTER                  | 2     |                 |
| 005 | 28422-ZH8-801   | RATCHET, STARTER                  | 2     | 1937023         |
| 006 | 28431-ZH8-801   | PLATE, FRICTION                   | 1     |                 |
| 006 | 28431-ZH8-801   | PLATE, FRICTION                   | 1     | 1937023         |
| 007 | 28433-ZH8-801   | GUIDE, RATCHET                    | 1     |                 |

| <u>Ref</u> | <u>Partnumber</u> | <u>Description</u>         | <u>GX200</u> | <u>Serial Numbers</u> |
|------------|-------------------|----------------------------|--------------|-----------------------|
| 007        | 28433-ZH8-801     | GUIDE, RATCHET             | 1            | 1937023               |
| 008        | 28441-ZH8-801     | SPRING, FRICTION           | 1            |                       |
| 008        | 28441-ZH8-801     | SPRING, FRICTION           | 1            | 1937023               |
| 009        | 28442-ZH8-003     | SPRING, RECOIL STARTER     | 1            |                       |
| 009        | 28442-ZH8-003     | SPRING, RECOIL STARTER     | 1            | 1937023               |
| 010        | 28443-ZH8-801     | SPRING, RETURN             | 2            |                       |
| 010        | 28443-ZH8-801     | SPRING, RETURN             | 2            | 1937023               |
| 011        | 28461-ZH8-003     | GRIP, STARTER              | 1            |                       |
| 011        | 28461-ZH8-003     | GRIP, STARTER              | 1            | 1937023               |
| 011        | 28461-ZH8-003     | GRIP, STARTER              | 1            | 1937023 2363502       |
| 011        | 28461-ZH8-013     | KNOB, RECOIL STARTER       | 1            | 2363503               |
| 012        | 28462-ZH8-003     | ROPE, RECOIL STARTER       | 1            |                       |
| 012        | 28462-ZH8-003     | ROPE, RECOIL STARTER       | 1            | 1937023               |
| 013        | 90003-ZH8-801     | SCREW, SETTING             | 1            |                       |
| 013        | 90003-ZH8-801     | SCREW, SETTING             | 1            | 1937023               |
| 014        | 95701-0601800     | BOLT, FLANGE, 6X18         | 3            | 1937023               |
| 014        | 95701-0601800     | BOLT, FLANGE, 6X18         | 3            | 1937023               |
| 015        | 28400-ZH8-D53     | STARTER ASSY., RECOIL      | 1            | 1937023               |
| 016        | 28410-ZH8-D51     | CASE COMP., RECOIL STARTER | 1            | 1937023               |
| 016        | 28410-ZH8-D51     | CASE COMP., RECOIL STARTER | 1            | 1937023               |



| Ref | Partnumber      | Description                 | GX200 | Serial Numbers |
|-----|-----------------|-----------------------------|-------|----------------|
| 002 | 19610-ZL0-820ZF | COVER COMP., FAN *R280 *    | 1     |                |
| 002 | 19610-ZL0-820ZF | COVER COMP., FAN *R280 *    | 1     |                |
| 005 | 19612-ZH8-840   | PLATE, SIDE (STARTER MOTOR) | 1     |                |
| 013 | 36101-ZE1-010   | CORD, STOP SWITCH (370MM)   | 1     |                |
| 013 | 36101-ZE1-010   | CORD, STOP SWITCH (370MM)   | 1     |                |
| 015 | 90013-883-000   | BOLT, FLANGE, 6X12 (CT200)  | 4     |                |
| 016 | 90121-952-000   | BOLT, FLANGE, 6X25 (CT200)  | 1     |                |
| 016 | 90121-952-000   | BOLT, FLANGE, 6X25 (CT200)  | 1     |                |

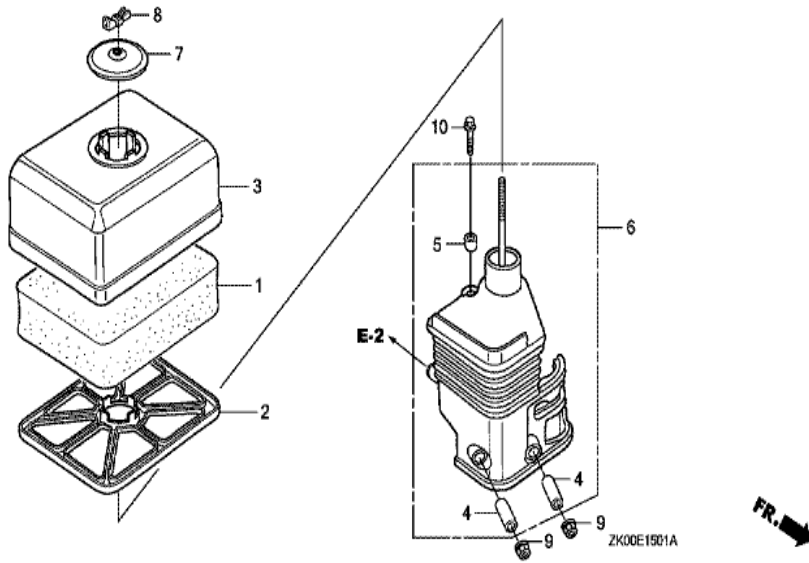


ZK00E1400B

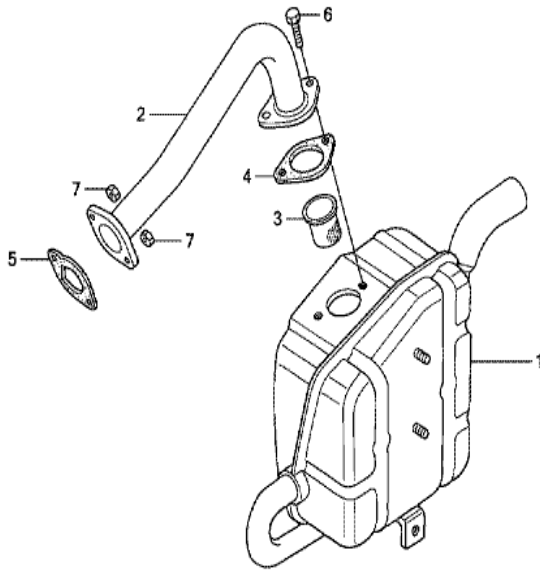


| Ref | Partnumber    | Description                | GX200 | Serial Numbers |
|-----|---------------|----------------------------|-------|----------------|
| 001 | 16010-ZE1-812 | GASKET SET                 | 1     |                |
| 001 | 16010-ZE1-812 | GASKET SET                 | 1     |                |
| 002 | 16011-ZE0-005 | VALVE SET, FLOAT           | 1     |                |
| 003 | 16013-ZE0-005 | FLOAT SET                  | 1     |                |
| 004 | 16015-ZE0-831 | CHAMBER SET, FLOAT         | 1     |                |
| 005 | 16016-ZE0-005 | SCREW SET, PILOT           | 1     |                |
| 007 | 16024-ZE1-811 | SCREW SET, DRAIN           | 1     |                |
| 009 | 16028-ZE0-005 | SCREW SET                  | 1     |                |
| 010 | 16044-ZE0-005 | CHOKE SET                  | 1     |                |
| 011 | 16100-ZK0-V01 | CARBURETOR ASSY. (BE64U A) | 1     |                |
| 012 | 16124-ZE0-005 | SCREW, THROTTLE STOP       | 1     |                |
| 013 | 16166-ZL0-000 | NOZZLE, MAIN               | 1     |                |
| 014 | 16173-001-004 | PACKING, FUEL STRAINER CUP | 1     |                |

| <u>Ref</u> | <u>Partnumber</u> | <u>Description</u>          | <u>GX200</u> | <u>Serial Numbers</u> |
|------------|-------------------|-----------------------------|--------------|-----------------------|
| 015        | 16211-ZL0-000     | INSULATOR, CARBURETOR       | 1            |                       |
| 016        | 16212-ZH8-800     | PACKING, INSULATOR          | 1            |                       |
| 017        | 16220-ZE1-020     | SPACER COMP., CARBURETOR    | 1            |                       |
| 017        | 16220-ZE1-020     | SPACER COMP., CARBURETOR    | 1            |                       |
| 018        | 16221-ZH8-801     | PACKING, CARBURETOR         | 1            |                       |
| 019        | 16582-883-300     | HOLDER, CONTROL CABLE       | 1            |                       |
| 020        | 16598-ZE1-000     | STAY, CHOKE CONTROL         | 1            |                       |
| 022        | 16610-ZE1-810     | LEVER COMP., CHOKE (REMOTE) | 1            |                       |
| 023        | 16615-ZE1-010     | SPRING, RETURN              | 1            |                       |
| 024        | 16617-890-010     | HOLDER, CABLE               | 1            |                       |
| 025        | 16953-ZE1-812     | LEVER, COCK                 | 1            |                       |
| 026        | 16954-ZE1-812     | PLATE, LEVER SETTING        | 1            |                       |
| 027        | 16956-ZE1-811     | SPRING, COCK LEVER          | 1            |                       |
| 028        | 16957-ZE1-812     | PACKING, FUEL COCK          | 1            |                       |
| 029        | 16967-ZE0-811     | CUP, FUEL STRAINER          | 1            |                       |
| 030        | 90605-230-000     | CIRCLIP, 5MM                | 1            |                       |
| 031        | 93500-030061H     | SCREW, PAN, 3X6             | 2            |                       |
| 032        | 93500-040080A     | SCREW, PAN, 4X8             | 1            |                       |
| 033        | 93500-050080A     | SCREW, PAN, 5X8             | 1            |                       |
| 034        | 94305-20122       | PIN, SPRING, 2X12           | 1            |                       |
| 035        | 99101-ZH80700     | JET, MAIN, #70              | (1)          |                       |
| 035        | 99101-ZH80700     | JET, MAIN, #70              | (1)          |                       |
| 035        | 99101-ZH80720     | JET, MAIN, #72              | (1)          |                       |
| 035        | 99101-ZH80720     | JET, MAIN, #72              | (1)          |                       |
| 035        | 99101-ZH80750     | JET, MAIN, #75              | 1            | BE64B C               |
| 035        | 99101-ZH80750     | JET, MAIN, #75              | 1            |                       |
| 036        | 99204-ZA00450     | JET SET, PILOT, #45         | 1            |                       |



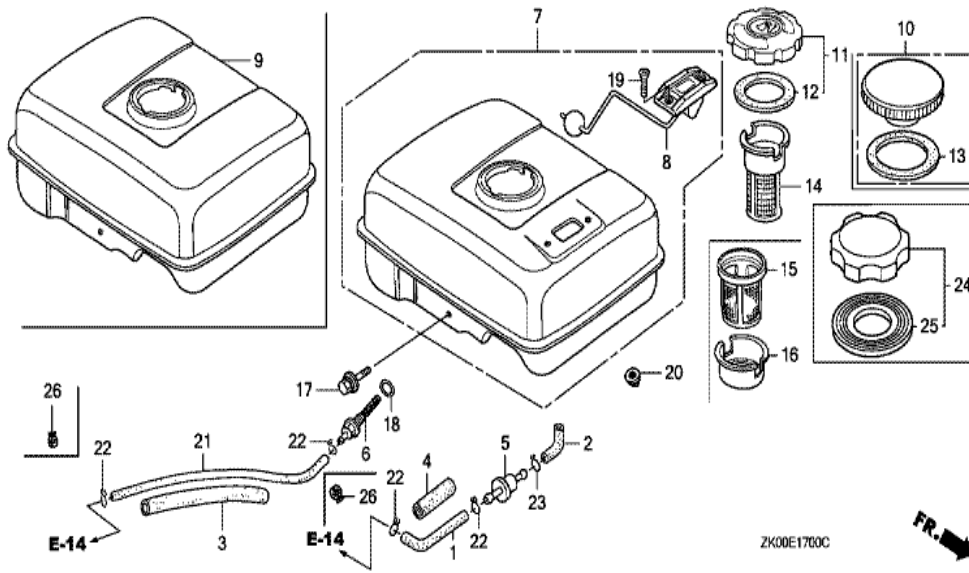
| Ref | Partnumber    | Description                     | GX200 | Serial Numbers |
|-----|---------------|---------------------------------|-------|----------------|
| 001 | 17211-ZE1-000 | ELEMENT, AIR CLEANER (SEMI DRY) | 1     |                |
| 002 | 17212-ZE1-000 | GRID, AIR CLEANER (SEMI DRY)    | 1     |                |
| 003 | 17231-ZE1-000 | COVER, AIR CLEANER (SEMI DRY)   | 1     |                |
| 004 | 17238-ZE7-010 | COLLAR, AIR CLEANER             | 2     |                |
| 005 | 17239-ZE1-000 | COLLAR B, AIR CLEANER           | 1     |                |
| 006 | 17410-ZE1-020 | ELBOW COMP., AIR CLEANER        | 1     |                |
| 007 | 17421-ZE1-000 | CAP, CLEANER                    | 1     |                |
| 008 | 90325-044-000 | NUT, TOOL BOX SETTING           | 1     |                |
| 009 | 94050-06000   | NUT, FLANGE, 6MM                | 2     |                |
| 010 | 95701-0602000 | BOLT, FLANGE, 6X20              | 1     |                |



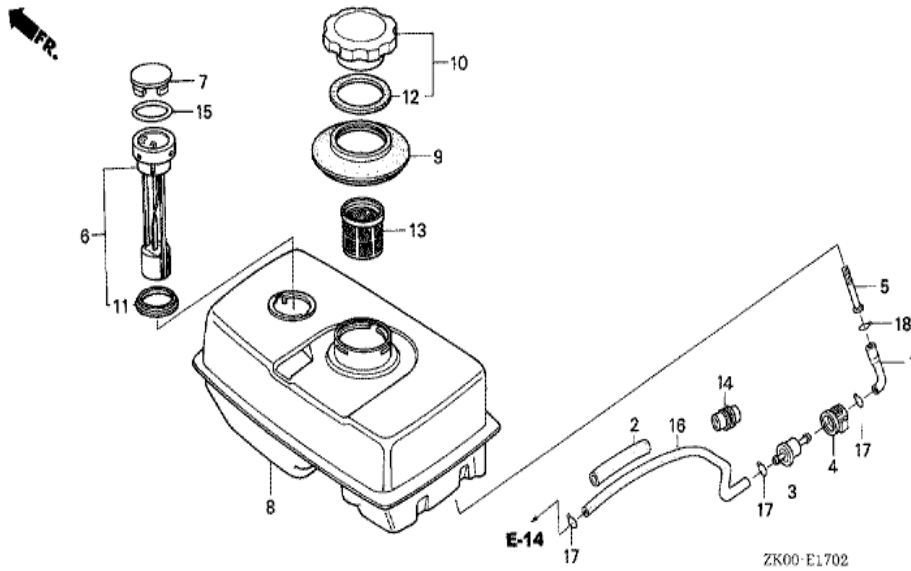
ZK00E1603A

| Ref | Partnumber    | Description      | GX200 | Serial Numbers |
|-----|---------------|------------------|-------|----------------|
| 001 | 18310-ZB6-C01 | MUFFLER COMP.    | 1     |                |
| 002 | 18330-ZB6-000 | PIPE COMP., EX.  | 1     |                |
| 003 | 18355-898-630 | ARRESTER, SPARK  | 1     |                |
| 004 | 18381-ZE1-800 | GASKET, MUFFLER  | 1     |                |
| 005 | 18381-ZH8-800 | GASKET, MUFFLER  | 1     |                |
| 006 | 92101-080200A | BOLT, HEX., 8X20 | 2     |                |
| 007 | 94001-080000S | NUT, HEX., 8MM   | 2     |                |

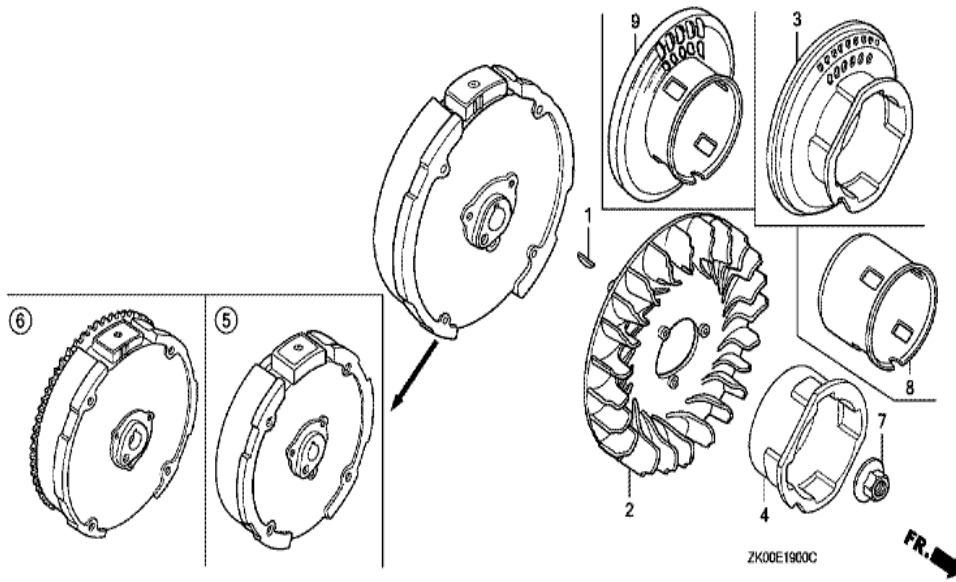




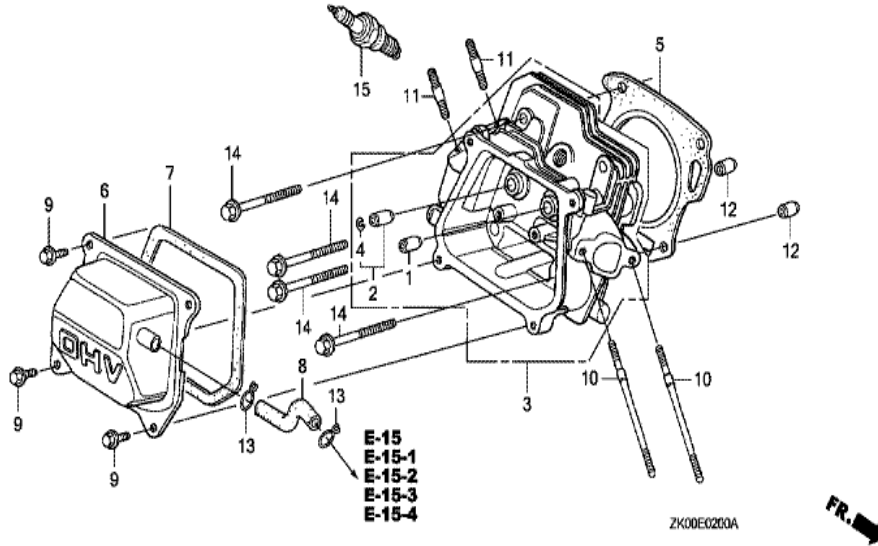
| Ref | Partnumber    | Description                           | GX200 | Serial Numbers |
|-----|---------------|---------------------------------------|-------|----------------|
| 021 | 95001-4530040 | TUBE, FUEL, 4.5X300 (95001-45001-60M) | 1     |                |
| 021 | 95001-4530040 | TUBE, FUEL, 4.5X300 (95001-45001-60M) | 1     |                |



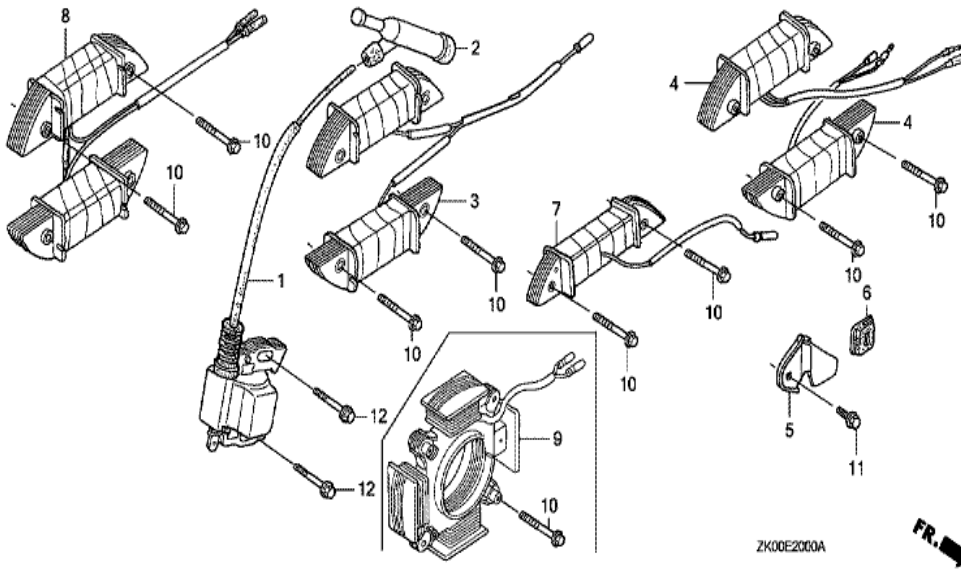
| Ref        | Partnumber        | Description                           | GX200        | Serial Numbers        |
|------------|-------------------|---------------------------------------|--------------|-----------------------|
| 001        | 16852-ZB6-000     | TUBE, FUEL TANK                       | 1            |                       |
| 002        | 16857-ZB6-000     | RUBBER, SUPPORTER                     | 1            |                       |
| 002        | 16857-ZB6-000     | RUBBER, SUPPORTER                     | 1            |                       |
| 003        | 16910-GB2-005     | STRAINER COMP., FUEL                  | 1            |                       |
| 004        | 16915-GB2-000     | SUSPENSION, STRAINER                  | 1            |                       |
| 005        | 16952-ZB6-000     | BUSH, FUEL PURGE                      | 1            |                       |
| 005        | 16952-ZB6-000     | BUSH, FUEL PURGE                      | 1            | 2439769               |
| 005        | 16952-ZB6-010     | BUSH, FUEL PURGE                      | 1            | 2439770               |
| 006        | 17505-898-023     | METER COMP., FUEL                     | 1            |                       |
| 007        | 17507-ZA0-800     | CAP, FUEL METER                       | 1            |                       |
| 008        | 17510-ZB6-010     | TANK COMP., FUEL                      | 1            |                       |
| 009        | 17520-ZA0-800     | SEAL, FUEL FILLER NECK                | 1            |                       |
| 010        | 17620-899-013     | CAP COMP., FUEL FILLER                | 1            |                       |
| <u>Ref</u> | <u>Partnumber</u> | <u>Description</u>                    | <u>GX200</u> | <u>Serial Numbers</u> |
| 011        | 17624-187-020     | PACKING C, FUEL METER                 | 1            |                       |
| 012        | 17631-899-000     | PACKING, FUEL FILLER CAP              | 1            |                       |
| 013        | 17670-ZB6-000     | FILTER COMP., FUEL                    | 1            |                       |
| 015        | 91356-706-000     | O-RING, 56X2.4                        | 1            |                       |
| 016        | 95001-4530040     | TUBE, FUEL, 4.5X300 (95001-45001-60M) | 1            |                       |
| 016        | 95001-4530040     | TUBE, FUEL, 4.5X300 (95001-45001-60M) | 1            |                       |
| 017        | 95002-02080       | CLIP, TUBE (B8)                       | 3            |                       |
| 018        | 95002-02100       | CLIP, TUBE (B10)                      | 1            |                       |
| 018        | 95002-02100       | CLIP, TUBE (B10)                      | 1            |                       |



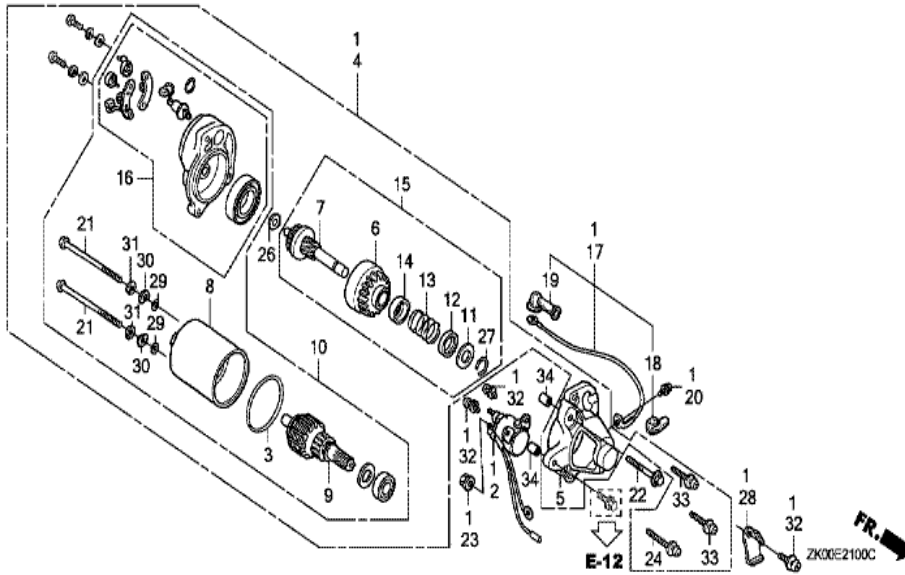
| Ref | Partnumber    | Description                  | GX200 | Serial Numbers |
|-----|---------------|------------------------------|-------|----------------|
| 001 | 13331-357-000 | KEY, SPECIAL WOODRUFF, 25X18 | 1     |                |
| 002 | 19511-ZE1-000 | FAN, COOLING                 | 1     |                |
| 004 | 28451-ZL0-000 | PULLEY, STARTER              | 1     | 1937022        |
| 004 | 28451-ZL0-000 | PULLEY, STARTER              | 1     | 1937022        |
| 006 | 31110-ZL0-821 | FLYWHEEL COMP. (START)       | 1     |                |
| 007 | 90201-878-003 | NUT, SPECIAL, 14MM           | 1     |                |
| 008 | 28451-ZL0-801 | PULLEY, STARTER              | 1     | 1937023        |
| 008 | 28451-ZL0-801 | PULLEY, STARTER              | 1     | 1937023        |



| <u>Ref</u> | <u>Partnumber</u> | <u>Description</u>                      | <u>GX200</u> | <u>Serial Numbers</u> |
|------------|-------------------|---|--------------|-----------------------|
| 001        | 12204-ZE1-306     | GUIDE, IN. VALVE (OS)                   | 1            |                       |
| 002        | 12205-ZE1-315     | GUIDE, EX. VALVE (OS)                   | 1            |                       |
| 003        | 12210-ZL0-405     | HEAD COMP., CYLINDER                    | 1            |                       |
| 003        | 12210-ZL0-405     | HEAD COMP., CYLINDER                    | 1            | 2060339               |
| 003        | 12210-ZL0-415     | HEAD COMP., CYLINDER                    | 1            | 2060340               |
| 003        | 12210-ZL0-415     | HEAD COMP., CYLINDER                    | 1            | 2060340               |
| 004        | 12216-ZE5-300     | CLIP, VALVE GUIDE                       | 1            |                       |
| 005        | 12251-ZL0-003     | GASKET, CYLINDER HEAD (NIPPON LEAKLESS) | 1            |                       |
| 006        | 12310-ZE1-020     | COVER COMP., HEAD                       | 1            |                       |
| 007        | 12391-ZE1-000     | PACKING, HEAD COVER                     | 1            |                       |
| 008        | 15721-ZH8-000     | TUBE, BREATHER                          | 1            |                       |
| 008        | 15721-ZH8-000     | TUBE, BREATHER                          | 1            |                       |
| 009        | 90013-883-000     | BOLT, FLANGE, 6X12 (CT200)              | 4            |                       |
| <u>Ref</u> | <u>Partnumber</u> | <u>Description</u>                      | <u>GX200</u> | <u>Serial Numbers</u> |
| 010        | 90043-ZE1-020     | BOLT, STUD, 6X112                       | 2            |                       |
| 010        | 90043-ZE1-020     | BOLT, STUD, 6X112                       | 2            |                       |
| 011        | 90047-ZE1-000     | BOLT, STUD, 8X32                        | 2            |                       |
| 012        | 94301-10160       | DOWEL PIN, 10X16                        | 2            |                       |
| 014        | 95701-0806000     | BOLT, FLANGE, 8X60                      | 4            | 2218105               |
| 014        | 95723-0806000     | BOLT, FLANGE, 8X60                      | 4            |                       |
| 014        | 95723-0806000     | BOLT, FLANGE, 8X60                      | 4            | 2218104               |
| 015        | 98079-56841       | PLUG, SPARK (BP6ES) (NGK)               | 1            |                       |
| 015        | 98079-56841       | PLUG, SPARK (BP6ES) (NGK)               | 1            |                       |
| 015        | 98079-56854       | PLUG, SPARK (W20EP-U) (DENSO)           | 1            |                       |
| 015        | 98079-56854       | PLUG, SPARK (W20EP-U) (DENSO)           | 1            |                       |

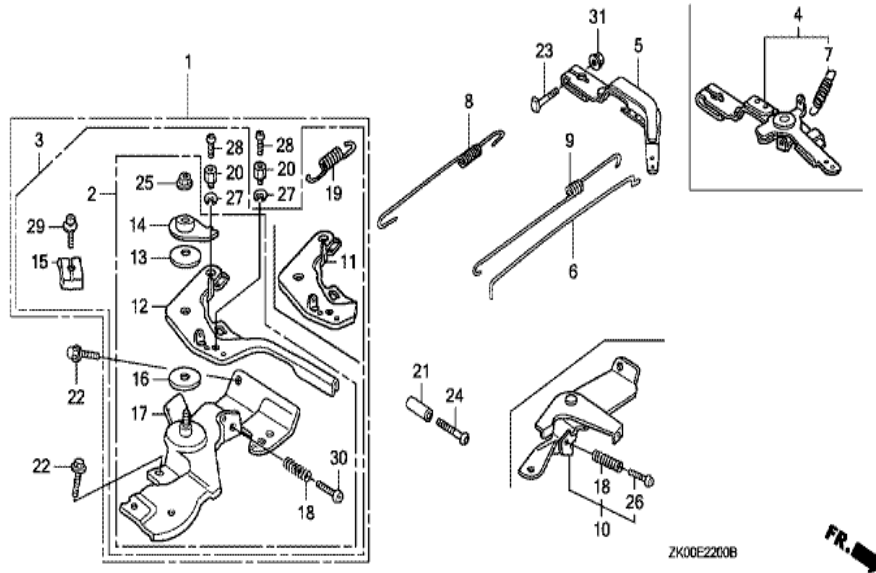


| <u>Ref</u> | <u>Partnumber</u> | <u>Description</u>          | <u>GX200</u> | <u>Serial Numbers</u> |
|------------|-------------------|-----------------------------|--------------|-----------------------|
| 001        | 30500-ZE1-043     | COIL ASSY., IGNITION        | 1            |                       |
| 001        | 30500-ZE1-043     | COIL ASSY., IGNITION        | 1            | 2018936               |
| 001        | 30500-ZE1-053     | COIL ASSY., IGNITION        | 1            | 2018937 2030952       |
| 001        | 30500-ZE1-053     | COIL ASSY., IGNITION        | 1            | 2018937 2030952       |
| 001        | 30500-ZE1-063     | COIL ASSY., IGNITION        | 1            | 2030953               |
| 001        | 30500-ZE1-063     | COIL ASSY., IGNITION        | 1            | 2030953               |
| 002        | 30700-ZB6-013     | CAP ASSY., NOISE SUPPRESSOR | 1            |                       |
| 002        | 30700-ZB6-013     | CAP ASSY., NOISE SUPPRESSOR | 1            |                       |
| 005        | 31511-ZE1-000     | CLAMPER, CORD               | 1            |                       |
| 006        | 31512-ZE1-000     | GROMMET, CORD               | 1            |                       |
| 008        | 31630-ZF1-801     | COIL ASSY., CHARGE (2.8A)   | 1            |                       |
| 010        | 90015-883-000     | BOLT, FLANGE, 6X28 (CT200)  | 2            |                       |
| 010        | 90015-883-000     | BOLT, FLANGE, 6X28 (CT200)  | 4            |                       |
| <u>Ref</u> | <u>Partnumber</u> | <u>Description</u>          | <u>GX200</u> | <u>Serial Numbers</u> |
| 011        | 90019-883-000     | BOLT, FLANGE, 5X10          | 1            |                       |
| 012        | 90121-952-000     | BOLT, FLANGE, 6X25 (CT200)  | 2            |                       |



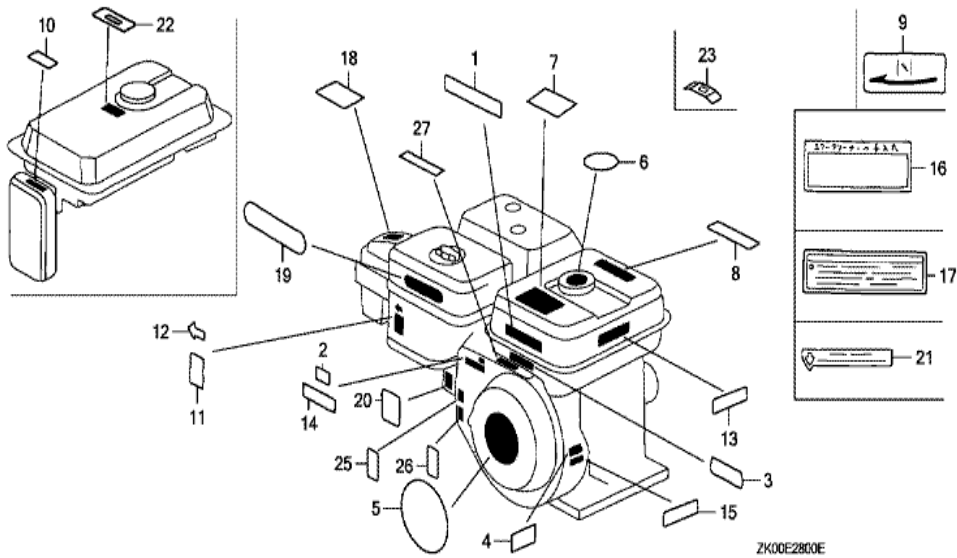
| Ref | Partnumber    | Description                            | GX200 | Serial Numbers |
|-----|---------------|--|-------|----------------|
| 001 | 31200-ZL0-811 | MOTOR ASSY., STARTER                   | 1     |                |
| 002 | 31204-ZE1-003 | SWITCH COMP., STARTING MAGNET          | 1     |                |
| 002 | 31204-ZE1-003 | SWITCH COMP., STARTING MAGNET          | 1     | 2240871        |
| 002 | 31204-ZE1-013 | SWITCH COMP., STARTING MAGNET          | 1     | 2240872        |
| 002 | 31204-ZE1-013 | SWITCH COMP., STARTING MAGNET          | 1     | 2240872        |
| 003 | 31206-KN7-670 | O-RING                                 | 1     |                |
| 004 | 31210-ZE1-723 | MOTOR UNIT, STARTER (SM-11205) (181MM) | 1     |                |
| 005 | 31212-ZE1-003 | COVER COMP., GEAR                      | 1     |                |
| 006 | 31214-ZE1-003 | PINION ASSY.                           | 1     |                |
| 007 | 31215-ZE1-003 | SHAFT UNIT, GEAR                       | 1     |                |
| 008 | 31216-ZE1-731 | YOKE ASSY.                             | 1     |                |
| 009 | 31217-ZE1-722 | ROTOR ASSY.                            | 1     |                |
| 010 | 31220-ZE1-722 | MOTOR ONLY                             | 1     |                |

| <u>Ref</u> | <u>Partnumber</u> | <u>Description</u>            | <u>GX200</u> | <u>Serial Numbers</u> |
|------------|-------------------|-------------------------------|--------------|-----------------------|
| 011        | 31221-ZE1-003     | PIECE A, STOPPER              | 1            |                       |
| 012        | 31222-ZE1-003     | PIECE B, STOPPER              | 1            |                       |
| 013        | 31223-ZE1-003     | SPRING, RETURN                | 1            |                       |
| 014        | 31224-ZE1-003     | COVER, SPRING                 | 1            |                       |
| 015        | 31230-ZE1-003     | GEAR ASSY.                    | 1            |                       |
| 016        | 31235-ZE1-013     | BRACKET COMP., FR.            | 1            |                       |
| 017        | 32410-ZE1-000     | CORD, MAGNET SWITCH           | 1            |                       |
| 017        | 32410-ZE1-000     | CORD, MAGNET SWITCH           | 1            | 2240188               |
| 017        | 32410-ZE1-010     | CORD, MAGNET SWITCH           | 1            | 2240189               |
| 017        | 32410-ZE1-010     | CORD, MAGNET SWITCH           | 1            | 2240189               |
| 018        | 32411-ZE1-000     | COVER, MAGNETIC SWITCH        | 1            |                       |
| 019        | 32411-253-000     | COVER, STARTER MOTOR TERMINAL | 1            |                       |
| 020        | 90010-ZE1-003     | SCREW-WASHER, 5X8             | 1            |                       |
| 021        | 90012-ZE1-721     | BOLT, SETTING                 | 2            |                       |
| 022        | 90017-883-000     | BOLT, FLANGE, 6X32 (CT200)    | 1            |                       |
| 023        | 90071-MB0-000     | NUT-WASHER, 6MM               | 2            |                       |
| 024        | 90115-GB4-700     | SCREW-WASHER, 5X30            | 1            |                       |
| 026        | 90502-187-701     | WASHER, PINION                | 1            |                       |
| 027        | 90603-ZE1-003     | CIRCLIP, 10.2MM               | 1            |                       |
| 028        | 90631-ZE1-003     | HOLDER, HARNESS               | 1            |                       |
| 029        | 91301-ZE1-003     | O-RING                        | 2            |                       |
| 030        | 91402-ZE6-003     | WASHER, SPECIAL               | 2            |                       |
| 031        | 91403-ZE6-003     | WASHER, SPRING                | 2            |                       |
| 032        | 93892-0501408     | SCREW-WASHER, 5X14            | 3            |                       |
| 033        | 93892-0502008     | SCREW-WASHER, 5X20            | 2            |                       |
| 034        | 94301-08100       | DOWEL PIN, 8X10               | 2            |                       |

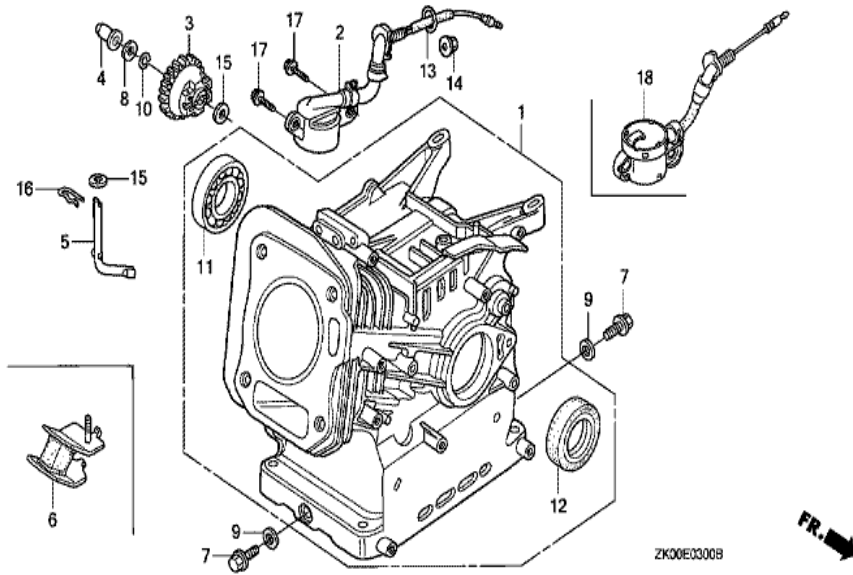


| <u>Ref</u> | <u>Partnumber</u> | <u>Description</u>           | <u>GX200</u> | <u>Serial Numbers</u> |
|------------|-------------------|------------------------------|--------------|-----------------------|
| 003        | 16500-ZH8-863     | CONTROL ASSY. (REMOTE)       | 1            |                       |
| 003        | 16500-ZH8-863     | CONTROL ASSY. (REMOTE)       | 1            |                       |
| 003        | 16500-ZH8-863     | CONTROL ASSY. (REMOTE)       | 1            |                       |
| 005        | 16551-ZL0-000     | ARM, GOVERNOR                | 1            |                       |
| 006        | 16555-ZE1-000     | ROD, GOVERNOR                | 1            |                       |
| 008        | 16561-ZL0-000     | SPRING, GOVERNOR             | 1            |                       |
| 009        | 16562-ZE1-020     | SPRING, THROTTLE RETURN      | 1            |                       |
| 011        | 16571-ZH8-S02     | LEVER, CONTROL               | 1            |                       |
| 013        | 16574-ZE1-000     | SPRING, LEVER                | 1            |                       |
| 014        | 16575-ZH8-000     | WASHER, CONTROL LEVER        | 1            |                       |
| 015        | 16576-891-000     | HOLDER, CABLE                | 1            |                       |
| 016        | 16578-ZE1-000     | SPACER, CONTROL LEVER        | 1            |                       |
| 017        | 16580-ZH8-813     | BASE COMP., CONTROL (REMOTE) | 1            | 1937023               |
| <u>Ref</u> | <u>Partnumber</u> | <u>Description</u>           | <u>GX200</u> | <u>Serial Numbers</u> |
| 017        | 16580-ZH8-813     | BASE COMP., CONTROL (REMOTE) | 1            |                       |
| 018        | 16584-883-300     | SPRING, CONTROL ADJUSTING    | 1            |                       |
| 019        | 16592-ZE1-810     | SPRING, CABLE RETURN         | 1            |                       |
| 020        | 16594-883-010     | HOLDER, WIRE                 | 1            |                       |
| 022        | 90013-883-000     | BOLT, FLANGE, 6X12 (CT200)   | 2            |                       |
| 023        | 90015-ZE5-010     | BOLT, GOVERNOR ARM           | 1            |                       |
| 025        | 90114-SA0-000     | NUT, SELF-LOCK, 6MM          | 1            |                       |
| 027        | 90605-230-000     | CIRCLIP, 5MM                 | 1            |                       |
| 028        | 93500-040060H     | SCREW, PAN, 4X6              | 1            |                       |
| 029        | 93500-050160A     | SCREW, PAN, 5X16             | 1            |                       |
| 030        | 93500-050250H     | SCREW, PAN, 5X25             | 1            | 1937023               |
| 030        | 93500-050250H     | SCREW, PAN, 5X25             | 1            |                       |
| 031        | 94050-06000       | NUT, FLANGE, 6MM             | 1            |                       |

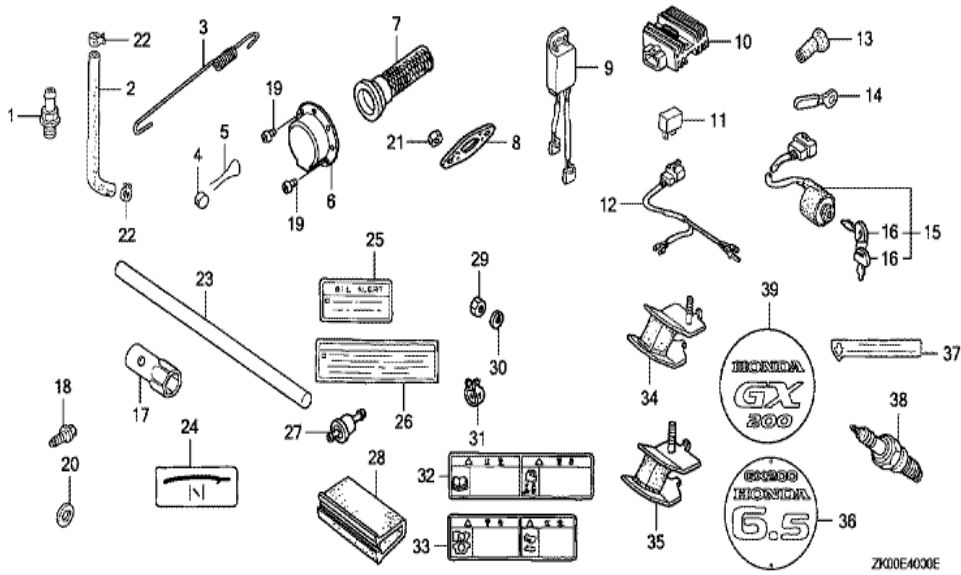




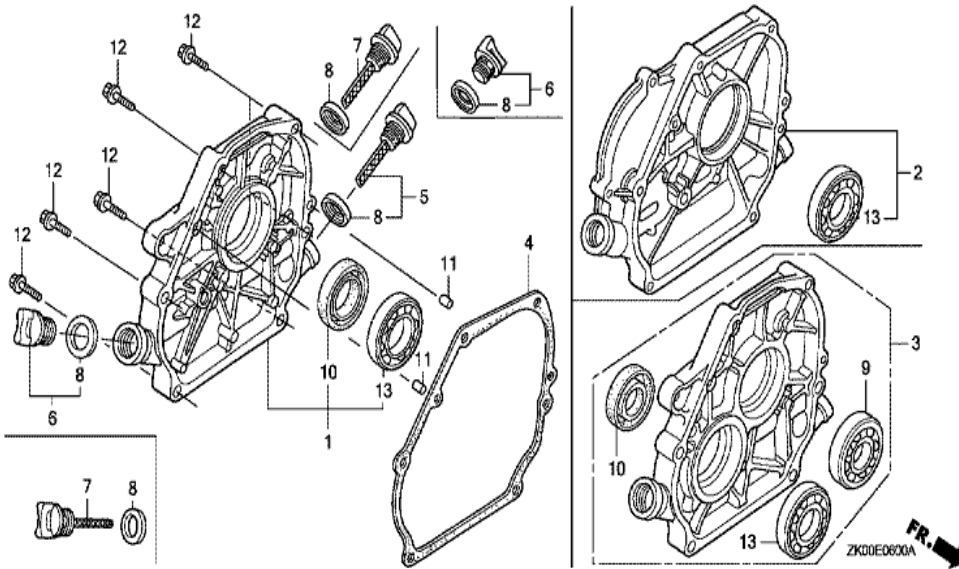
| Ref | Partnumber    | Description                             | GX200 | Serial Numbers |
|-----|---------------|---|-------|----------------|
| 003 | 87135-ZE2-020 | LABEL, E-SPEC (15.5X27.5)               | 1     |                |
| 003 | 87135-ZE2-020 | LABEL, E-SPEC (15.5X27.5)               | 1     | 2092186        |
| 005 | 87521-ZL0-020 | EMBLEM (6.5)                            | 1     | 2204292        |
| 005 | 87521-ZL0-020 | EMBLEM (6.5)                            | 1     | 2204292        |
| 005 | 87521-ZL0-030 | EMBLEM (GX200)                          | 1     | 2204534        |
| 005 | 87521-ZL0-030 | EMBLEM (GX200)                          | 1     | 2204293        |
| 008 | 87526-ZH8-000 | MARK B, COMBINATION (JAPANESE)          | 1     |                |
| 026 | 87114-ZH7-000 | LABEL, WARNING (NOT CERTIFIED FOR SALE) | 1     |                |
| 026 | 87114-ZH7-000 | LABEL, WARNING (NOT CERTIFIED FOR SALE) | 1     | 2033438        |



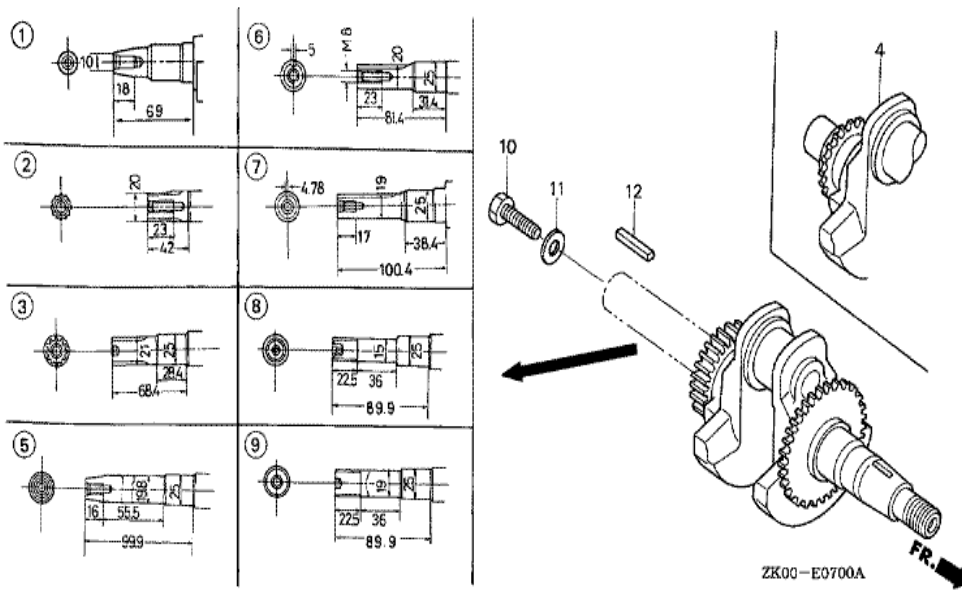
| <u>Ref</u> | <u>Partnumber</u> | <u>Description</u>                   | <u>GX200</u> | <u>Serial Numbers</u> |
|------------|-------------------|--------------------------------------|--------------|-----------------------|
| 001        | 12000-ZL0-416     | BARREL ASSY., CYLINDER               | 1            |                       |
| 001        | 12000-ZL0-416     | BARREL ASSY., CYLINDER               | 1            |                       |
| 003        | 16506-ZL0-000     | GOVERNOR ASSY.                       | 1            |                       |
| 004        | 16531-ZE1-000     | SLIDER, GOVERNOR                     | 1            |                       |
| 005        | 16541-ZE1-000     | SHAFT, GOVERNOR ARM                  | 1            |                       |
| 006        | 68328-ZB2-000     | RUBBER, BOTTOM                       | 2            |                       |
| 006        | 68328-ZB2-000     | RUBBER, BOTTOM                       | 2            |                       |
| 007        | 90131-ZE1-000     | BOLT, DRAIN PLUG                     | 2            |                       |
| 008        | 90451-ZE1-000     | WASHER, THRUST, 6MM                  | 1            |                       |
| 009        | 90601-ZE1-000     | WASHER, DRAIN PLUG, 10.2MM           | 2            |                       |
| 010        | 90602-ZE1-000     | CLIP, GOVERNOR HOLDER                | 1            |                       |
| 011        | 91001-ZF1-003     | BEARING, RADIAL BALL (6205TMB) (NTN) | 1            |                       |
| 011        | 91001-ZF1-004     | BEARING, RADIAL BALL (6205SH) (KOYO) | 1            |                       |
| <u>Ref</u> | <u>Partnumber</u> | <u>Description</u>                   | <u>GX200</u> | <u>Serial Numbers</u> |
| 011        | 91001-ZF1-004     | BEARING, RADIAL BALL (6205SH) (KOYO) | 1            |                       |
| 012        | 91201-ZOT-801     | OIL SEAL, 25X41X6 (NOK)              | 1            |                       |
| 015        | 94101-06800       | WASHER, PLAIN, 6MM                   | 2            |                       |
| 016        | 94251-08000       | PIN, LOCK, 8MM                       | 1            |                       |



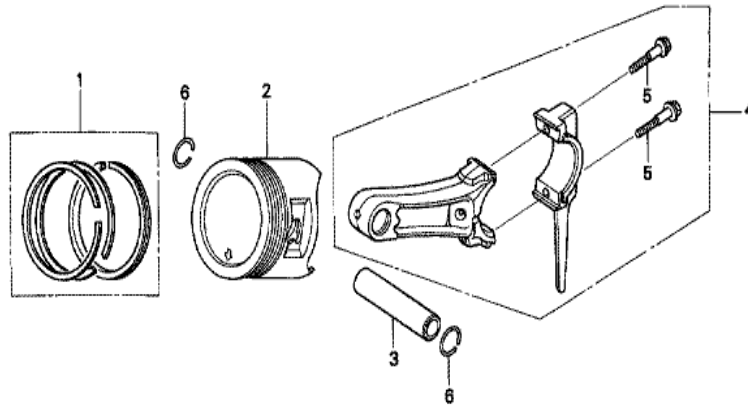
| Ref | Partnumber    | Description                   | GX200 | Serial Numbers |
|-----|---------------|-------------------------------|-------|----------------|
| 009 | 31600-KE1-010 | RECTIFIER COMP., REGULATOR    | 1     |                |
| 013 | 32411-253-000 | COVER, STARTER MOTOR TERMINAL | 1     |                |
| 015 | 35100-752-023 | SWITCH ASSY., COMBINATION     | 1     |                |
| 016 | 35110-VA3-903 | KEY ASSY., COMBINATION SWITCH | 2     |                |
| 017 | 89216-357-000 | WRENCH, BOX (P21)             | 1     |                |
| 023 | 99005-01000   | BAR A, HANDLE                 | 1     |                |



| Ref | Partnumber    | Description                        | GX200 | Serial Numbers |
|-----|---------------|------------------------------------|-------|----------------|
| 003 | 11300-ZL0-691 | COVER ASSY., CRANKCASE             | 1     |                |
| 004 | 11381-ZH8-801 | PACKING, CASE COVER (NON ASBESTOS) | 1     | 2416618        |
| 004 | 11381-ZL0-000 | PACKING, CASE COVER                | 1     |                |
| 004 | 11381-ZL0-000 | PACKING, CASE COVER                | 1     | 2416617        |
| 005 | 15600-ZE1-003 | CAP ASSY., OIL FILLER (GRAY)       | 1     |                |
| 006 | 15600-ZG4-003 | CAP ASSY., OIL FILLER              | 1     |                |
| 008 | 15625-ZE1-003 | PACKING, OIL FILLER CAP            | 2     |                |
| 009 | 91001-GF6-004 | BEARING, RADIAL BALL, 6304         | 1     |                |
| 010 | 91201-ZOT-801 | OIL SEAL, 25X41X6 (NOK)            | 1     |                |
| 011 | 94301-08140   | DOWEL PIN, 8X14                    | 2     |                |
| 012 | 95701-0803200 | BOLT, FLANGE, 8X32                 | 6     |                |
| 013 | 96100-6205000 | BEARING, RADIAL BALL, 6205         | 1     |                |



| Ref | Partnumber    | Description          | GX200 | Serial Numbers |
|-----|---------------|----------------------|-------|----------------|
| 004 | 13310-ZL0-691 | CRANKSHAFT COMP.     | 1     |                |
| 004 | 13310-ZL0-691 | CRANKSHAFT COMP.     | 1     | 2173488        |
| 004 | 13310-ZL0-692 | CRANKSHAFT COMP.     | 1     | 2173489        |
| 004 | 13310-ZL0-692 | CRANKSHAFT COMP.     | 1     | 2173489        |
| 012 | 90741-883-810 | KEY, 5X5X33 (YELLOW) | 1     |                |

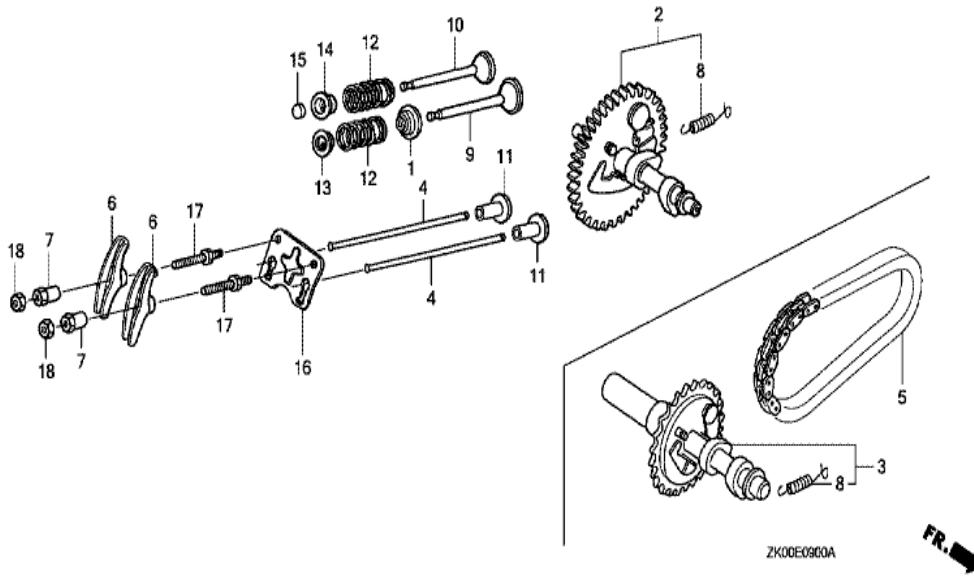


ZK00-E0900



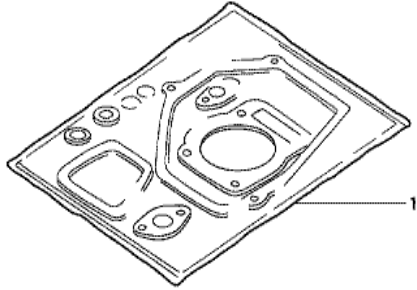
| Ref | Partnumber    | Description                       | GX200 | Serial Numbers |
|-----|---------------|-----------------------------------|-------|----------------|
| 001 | 13010-Z4K-004 | RING SET, PISTON (STD.) (TPR)     | 1     | 2203881        |
| 001 | 13010-ZL0-003 | RING SET, PISTON (STD.) (TEIKOKU) | 1     | 2203880        |
| 001 | 13010-ZL0-003 | RING SET, PISTON (STD.) (TEIKOKU) | 1     | 2203880        |
| 001 | 13010-ZL0-004 | RING SET, PISTON (STD.) (NIPPON)  | 1     |                |
| 001 | 13010-ZL0-004 | RING SET, PISTON (STD.) (NIPPON)  | 1     | 2203880        |
| 001 | 13011-Z4K-004 | RING SET, PISTON (0.25) (TPR)     | (1)   | 2203881        |
| 001 | 13011-Z4K-004 | RING SET, PISTON (0.25) (TPR)     | (1)   | 2203881        |
| 001 | 13011-ZL0-003 | RING SET, PISTON (0.25) (TEIKOKU) | (1)   | 2203880        |
| 001 | 13011-ZL0-003 | RING SET, PISTON (0.25) (TEIKOKU) | (1)   | 2203880        |
| 001 | 13011-ZL0-004 | RING SET, PISTON (0.25) (NIPPON)  | (1)   | 2203880        |
| 001 | 13011-ZL0-004 | RING SET, PISTON (0.25) (NIPPON)  | (1)   | 2203880        |
| 001 | 13012-Z4K-004 | RING SET, PISTON (0.50) (TPR)     | (1)   | 2203881        |
| 001 | 13012-Z4K-004 | RING SET, PISTON (0.50) (TPR)     | (1)   | 2203881        |

| <u>Ref</u> | <u>Partnumber</u> | <u>Description</u>                | <u>GX200</u> | <u>Serial Numbers</u> |
|------------|-------------------|-----------------------------------|--------------|-----------------------|
| 001        | 13012-ZL0-003     | RING SET, PISTON (0.50) (TEIKOKU) | (1)          |                       |
| 001        | 13012-ZL0-003     | RING SET, PISTON (0.50) (TEIKOKU) | (1)          | 2203880               |
| 001        | 13012-ZL0-004     | RING SET, PISTON (0.50) (NIPPON)  | (1)          | 2203880               |
| 001        | 13012-ZL0-004     | RING SET, PISTON (0.50) (NIPPON)  | (1)          | 2203880               |
| 001        | 13013-Z4K-004     | RING SET, PISTON (0.75) (TPR)     | (1)          | 2203881               |
| 001        | 13013-Z4K-004     | RING SET, PISTON (0.75) (TPR)     | (1)          | 2203881               |
| 001        | 13013-ZL0-003     | RING SET, PISTON (0.75) (TEIKOKU) | (1)          | 2203880               |
| 001        | 13013-ZL0-003     | RING SET, PISTON (0.75) (TEIKOKU) | (1)          | 2203880               |
| 001        | 13013-ZL0-004     | RING SET, PISTON (0.75) (NIPPON)  | (1)          |                       |
| 001        | 13013-ZL0-004     | RING SET, PISTON (0.75) (NIPPON)  | (1)          | 2203880               |
| 002        | 13101-ZL0-010     | PISTON (STD.)                     | 1            |                       |
| 002        | 13101-ZL0-010     | PISTON (STD.)                     | 1            | 2203880               |
| 002        | 13101-ZL0-020     | PISTON (STD.)                     | 1            | 2203881               |
| 002        | 13101-ZL0-020     | PISTON (STD.)                     | 1            | 2203881               |
| 002        | 13102-ZL0-010     | PISTON (0.25)                     | (1)          | 2203880               |
| 002        | 13102-ZL0-010     | PISTON (0.25)                     | (1)          | 2203880               |
| 002        | 13102-ZL0-020     | PISTON (0.25)                     | (1)          | 2203881               |
| 002        | 13102-ZL0-020     | PISTON (0.25)                     | (1)          | 2203881               |
| 002        | 13103-ZL0-010     | PISTON (0.50)                     | (1)          |                       |
| 002        | 13103-ZL0-010     | PISTON (0.50)                     | (1)          | 2203880               |
| 002        | 13103-ZL0-020     | PISTON (0.50)                     | (1)          | 2203881               |
| 002        | 13103-ZL0-020     | PISTON (0.50)                     | (1)          | 2203881               |
| 002        | 13104-ZL0-010     | PISTON (0.75)                     | (1)          |                       |
| 002        | 13104-ZL0-010     | PISTON (0.75)                     | (1)          | 2203880               |
| 002        | 13104-ZL0-020     | PISTON (0.75)                     | (1)          | 2203881               |
| 002        | 13104-ZL0-020     | PISTON (0.75)                     | (1)          | 2203881               |
| 003        | 13111-ZE1-000     | PIN, PISTON                       | 1            |                       |
| 004        | 13200-ZE1-010     | ROD ASSY., CONNECTING (STD.)      | 1            |                       |
| 004        | 13200-ZE1-010     | ROD ASSY., CONNECTING (STD.)      | 1            | 2352733               |
| 004        | 13200-ZE1-020     | ROD ASSY., CONNECTING (STD.)      | 1            | 2352734               |
| 005        | 90001-ZE1-000     | BOLT, CONNECTING ROD              | 2            |                       |
| 006        | 90551-ZE1-000     | CLIP, PISTON PIN, 18MM            | 2            |                       |



| <u>Ref</u> | <u>Partnumber</u> | <u>Description</u>                      | <u>GX200</u> | <u>Serial Numbers</u> |
|------------|-------------------|---|--------------|-----------------------|
| 001        | 12209-ZH8-003     | SEAL, VALVE STEM                        | 1            |                       |
| 003        | 14100-ZL0-690     | CAMSHAFT ASSY.                          | 1            |                       |
| 004        | 14410-ZE1-010     | ROD, PUSH                               | 2            |                       |
| 005        | 14411-ZH7-V91     | CHAIN, P.T.O. DRIVE (DID270FH DHA-36LE) | 1            |                       |
| 006        | 14431-ZE1-000     | ARM, VALVE ROCKER                       | 2            |                       |
| 007        | 14451-ZE1-013     | PIVOT, ROCKER ARM                       | 2            |                       |
| 008        | 14568-ZE1-000     | SPRING, WEIGHT RETURN                   | 1            |                       |
| 009        | 14711-ZF1-000     | VALVE, IN.                              | 1            |                       |
| 010        | 14721-ZF1-000     | VALVE, EX.                              | 1            |                       |
| 010        | 14721-ZF1-000     | VALVE, EX.                              | 1            |                       |
| 011        | 14731-ZL0-000     | LIFTER, VALVE                           | 2            |                       |
| 012        | 14751-ZF1-000     | SPRING, VALVE                           | 2            |                       |
| 013        | 14771-ZE1-000     | RETAINER, IN. VALVE SPRING              | 1            |                       |
| <u>Ref</u> | <u>Partnumber</u> | <u>Description</u>                      | <u>GX200</u> | <u>Serial Numbers</u> |
| 014        | 14773-Z4X-000     | RETAINER, EX. VALVE SPRING              | 1            | 2370422               |
| 014        | 14773-ZE1-000     | RETAINER, EX. VALVE SPRING              | 1            | 2370421               |
| 014        | 14773-ZE1-000     | RETAINER, EX. VALVE SPRING              | 1            | 2370421               |
| 015        | 14781-ZE1-000     | ROTATOR, VALVE                          | 1            |                       |
| 016        | 14791-ZE1-010     | PLATE, PUSH ROD GUIDE                   | 1            |                       |
| 017        | 90012-ZE0-010     | BOLT, PIVOT, 8MM                        | 2            |                       |
| 018        | 90206-ZE1-000     | NUT, PIVOT ADJUSTING                    | 2            |                       |





HENG-X0003

| <u>Ref</u> | <u>Partnumber</u> | <u>Description</u> | <u>GX200</u> | <u>Serial Numbers</u> |
|------------|-------------------|--------------------|--------------|-----------------------|
| 001        | 06111-ZLO-000     | GASKET KIT         | 1            |                       |