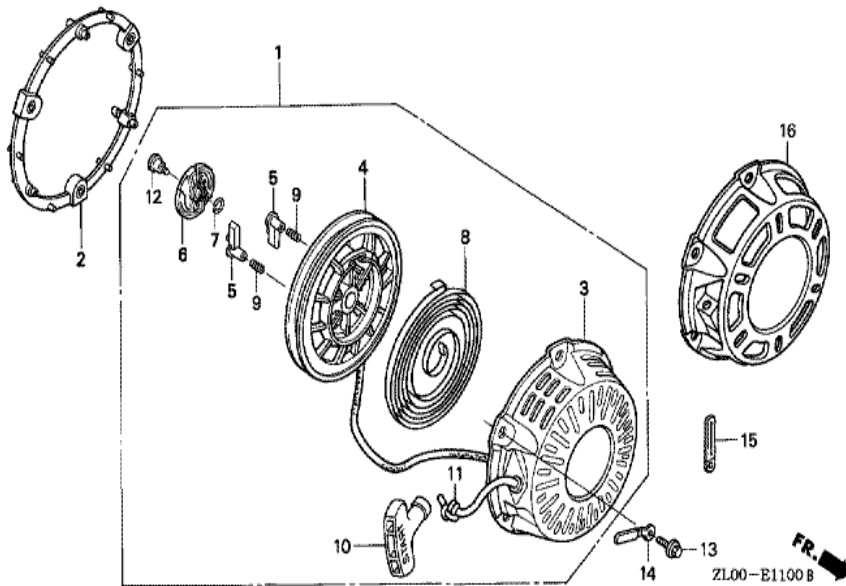
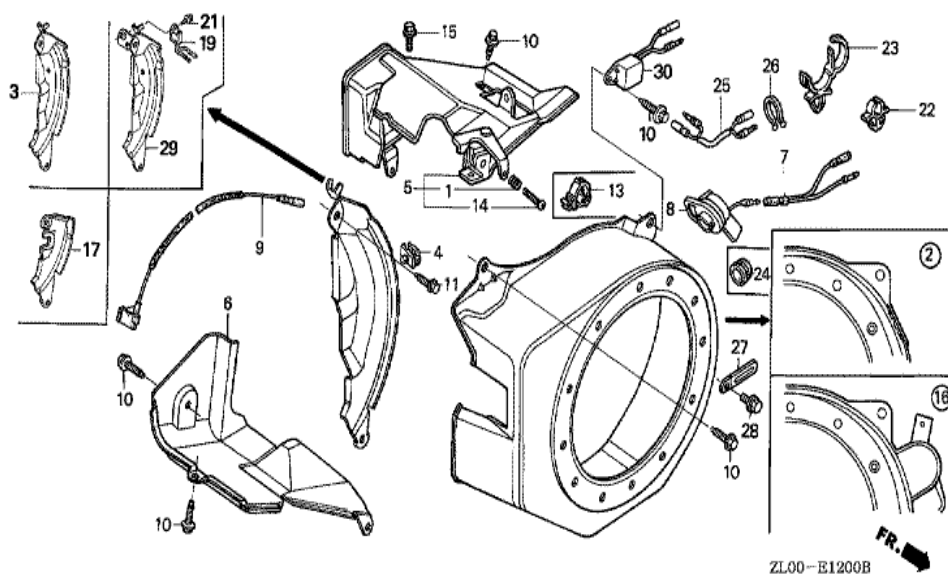


| | |
|------------|-------------------------|
| GX200(NAX) | E-11 RECOIL STARTER (1) |
|------------|-------------------------|



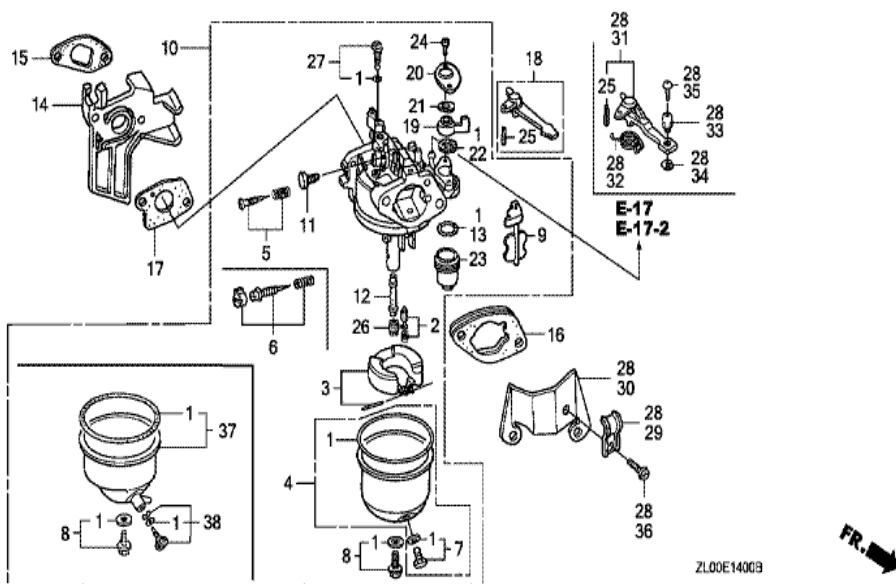
| <u>Ref</u> | <u>Partnumber</u> | <u>Description</u> | <u>GX200</u> | <u>Serial Numbers</u> |
|------------|-------------------|--------------------------------------|--------------|-----------------------|
| 001 | 28400-ZH8-R10ZA | STARTER ASSY., RECOIL (TURFCO)* R8 * | 1 | |
| 001 | 28400-ZH8-R10ZA | STARTER ASSY., RECOIL (TURFCO)* R8 * | 1 | |
| 002 | 28405-ZL0-000ZB | SPACER, RECOIL STARTER MOUNTING * | 1 | 1812939 |
| 002 | 28405-ZL0-000ZB | SPACER, RECOIL STARTER MOUNTING * | 1 | |
| 003 | 28410-ZH8-003ZA | CASE COMP., RECOIL STARTER *R8 * | 1 | 1812939 |
| 003 | 28410-ZH8-003ZA | CASE COMP., RECOIL STARTER *R8 * | 1 | |
| 004 | 28420-ZH8-013 | REEL, RECOIL STARTER (NATURAL) | 1 | |
| 005 | 28422-ZH8-013 | RATCHET, STARTER | 2 | |
| 006 | 28433-ZH8-003 | GUIDE, RATCHET | 1 | |
| 007 | 28441-ZH8-003 | SPRING, FRICTION | 1 | |
| 008 | 28442-ZH8-003 | SPRING, RECOIL STARTER | 1 | |
| 009 | 28443-ZH8-003 | SPRING, RETURN | 2 | |
| 010 | 28461-ZH8-003 | GRIP, STARTER | 1 | |
| <u>Ref</u> | <u>Partnumber</u> | <u>Description</u> | <u>GX200</u> | <u>Serial Numbers</u> |
| 011 | 28462-ZH8-R10 | ROPE, RECOIL STARTER | 1 | |
| 012 | 90003-ZH8-003 | SCREW, SETTING | 1 | |
| 013 | 95701-0601800 | BOLT, FLANGE, 6X18 | 3 | |
| 013 | 95701-0601800 | BOLT, FLANGE, 6X18 | 3 | |

| | |
|------------|----------------|
| GX200(NAX) | E-12 FAN COVER |
|------------|----------------|



| <u>Ref</u> | <u>Partnumber</u> | <u>Description</u> | <u>GX200</u> | <u>Serial Numbers</u> |
|------------|-------------------|----------------------------|--------------|-----------------------|
| 002 | 19610-ZL0-000ZB | COVER COMP., FAN *R8 * | 1 | 1812939 |
| 002 | 19610-ZL0-000ZB | COVER COMP., FAN *R8 * | 1 | 1812939 |
| 002 | 19610-ZL0-000ZJ | COVER COMP., FAN *R280 * | 1 | 1812940 |
| 002 | 19610-ZL0-000ZJ | COVER COMP., FAN *R280 * | 1 | 1812940 |
| 003 | 19612-ZH8-820 | PLATE, SIDE (LAMP) | 1 | 1100330 1127340 |
| 003 | 19612-ZH8-820 | PLATE, SIDE (LAMP) | 1 | 1127340 |
| 003 | 19612-ZH8-820 | PLATE, SIDE (LAMP) | 1 | 1127340 |
| 003 | 19612-ZH8-821 | PLATE, SIDE (LAMP) | 1 | 1584579 |
| 003 | 19612-ZH8-821 | PLATE, SIDE (LAMP) | 1 | 1127341 |
| 003 | 19612-ZH8-821 | PLATE, SIDE (LAMP) | 1 | 1127341 |
| 006 | 19630-ZH8-000 | SHROUD COMP. | 1 | |
| 008 | 36100-ZE1-015 | SWITCH ASSY., ENGINE STOP | 1 | 1061455 |
| 008 | 36100-ZE1-015 | SWITCH ASSY., ENGINE STOP | 1 | |
| <u>Ref</u> | <u>Partnumber</u> | <u>Description</u> | <u>GX200</u> | <u>Serial Numbers</u> |
| 009 | 36101-ZE1-010 | CORD, STOP SWITCH (370MM) | 1 | |
| 009 | 36101-ZE1-010 | CORD, STOP SWITCH (370MM) | 1 | |
| 010 | 90013-883-000 | BOLT, FLANGE, 6X12 (CT200) | 4 | |
| 010 | 90013-883-000 | BOLT, FLANGE, 6X12 (CT200) | 6 | |
| 011 | 90022-888-010 | BOLT, FLANGE, 6X20 (CT200) | 1 | |

| | |
|------------|---------------------|
| GX200(NAX) | E-14 CARBURETOR (1) |
|------------|---------------------|

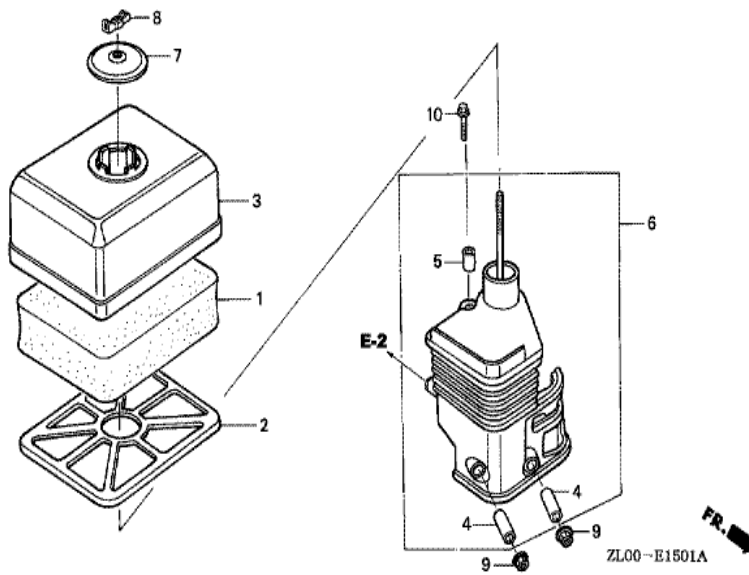


| Ref | Partnumber | Description | GX200 | Serial Numbers |
|-----|---------------|--------------------|-------|----------------|
| 001 | 16010-ZE1-812 | GASKET SET | 1 | |
| 001 | 16010-ZE1-812 | GASKET SET | 1 | |
| 002 | 16011-ZE0-005 | VALVE SET, FLOAT | 1 | |
| 003 | 16013-ZE0-005 | FLOAT SET | 1 | |
| 004 | 16015-ZE0-831 | CHAMBER SET, FLOAT | 1 | BE64B B |
| 004 | 16015-ZE0-831 | CHAMBER SET, FLOAT | 1 | BE64C B |
| 004 | 16015-ZE1-811 | CHAMBER SET, FLOAT | 1 | BE64B A |
| 004 | 16015-ZE1-811 | CHAMBER SET, FLOAT | 1 | BE64B A |
| 004 | 16015-ZE1-811 | CHAMBER SET, FLOAT | 1 | BE64C A |
| 005 | 16016-ZE0-005 | SCREW SET, PILOT | 1 | |
| 007 | 16024-ZE1-811 | SCREW SET, DRAIN | 1 | |
| 008 | 16028-ZE0-005 | SCREW SET | 1 | |
| 009 | 16044-ZE0-005 | CHOKE SET | 1 | |

| <u>Ref</u> | <u>Partnumber</u> | <u>Description</u> | <u>GX200</u> | <u>Serial Numbers</u> |
|------------|-------------------|-----------------------------|--------------|-----------------------|
| 010 | 16100-ZL0-820 | CARBURETOR ASSY. (BE64C A) | 1 | 1030012 |
| 010 | 16100-ZL0-820 | CARBURETOR ASSY. (BE64C A) | 1 | 1030012 |
| 010 | 16100-ZL0-821 | CARBURETOR ASSY. (BE64C B) | 1 | 1030013 1122110 |
| 010 | 16100-ZL0-821 | CARBURETOR ASSY. (BE64C B) | 1 | 1030013 |
| 011 | 16124-ZE0-005 | SCREW, THROTTLE STOP | 1 | |
| 012 | 16166-ZL0-000 | NOZZLE, MAIN | 1 | |
| 013 | 16173-001-004 | PACKING, FUEL STRAINER CUP | 1 | |
| 014 | 16211-ZL0-000 | INSULATOR, CARBURETOR | 1 | |
| 015 | 16212-ZH8-800 | PACKING, INSULATOR | 1 | |
| 016 | 16220-ZE1-020 | SPACER COMP., CARBURETOR | 1 | |
| 016 | 16220-ZE1-020 | SPACER COMP., CARBURETOR | 1 | |
| 017 | 16221-ZH8-801 | PACKING, CARBURETOR | 1 | |
| 019 | 16953-ZE1-811 | LEVER, COCK | 1 | |
| 020 | 16954-ZE1-811 | PLATE, LEVER SETTING | 1 | |
| 021 | 16956-ZE1-811 | SPRING, COCK LEVER | 1 | |
| 022 | 16957-ZE1-812 | PACKING, FUEL COCK | 1 | |
| 023 | 16967-ZE0-811 | CUP, FUEL STRAINER | 1 | |
| 024 | 93500-030061H | SCREW, PAN, 3X6 | 2 | BE64A B |
| 024 | 93500-030061H | SCREW, PAN, 3X6 | 2 | BE64C B |
| 024 | 93500-030081G | SCREW, PAN, 3X8 | 2 | BE64D A |
| 024 | 93500-030081G | SCREW, PAN, 3X8 | 2 | BE64B A |
| 024 | 93500-030081G | SCREW, PAN, 3X8 | 2 | BE64C A |
| 025 | 94305-20122 | PIN, SPRING, 2X12 | 1 | |
| 026 | 99101-ZH80700 | JET, MAIN, #70 | (1) | |
| 026 | 99101-ZH80700 | JET, MAIN, #70 | (1) | |
| 026 | 99101-ZH80720 | JET, MAIN, #72 | (1) | BE64R A |
| 026 | 99101-ZH80720 | JET, MAIN, #72 | (1) | |
| 026 | 99101-ZH80750 | JET, MAIN, #75 | 1 | BE69A B |
| 026 | 99101-ZH80750 | JET, MAIN, #75 | 1 | |
| 027 | 99204-ZA00450 | JET SET, PILOT, #45 | 1 | |
| 029 | 16582-883-300 | HOLDER, CONTROL CABLE | 1 | |
| 030 | 16598-ZE1-000 | STAY, CHOKE CONTROL | 1 | |
| 031 | 16610-ZE1-810 | LEVER COMP., CHOKE (REMOTE) | 1 | |
| <u>Ref</u> | <u>Partnumber</u> | <u>Description</u> | <u>GX200</u> | <u>Serial Numbers</u> |
| 032 | 16615-ZE1-010 | SPRING, RETURN | 1 | |
| 033 | 16617-890-010 | HOLDER, CABLE | 1 | |
| 034 | 90605-230-000 | CIRCLIP, 5MM | 1 | |
| 035 | 93500-040080A | SCREW, PAN, 4X8 | 1 | |
| 036 | 93500-050080A | SCREW, PAN, 5X8 | 1 | |

GX200(NAX)

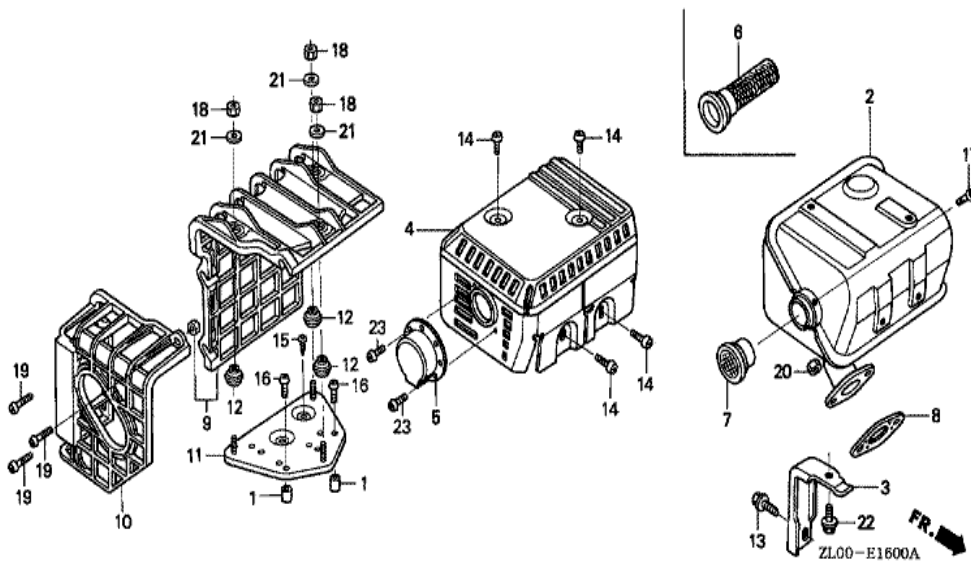
E-15-1 AIR CLEANER (SEMI DRY)



| Ref | Partnumber | Description | GX200 | Serial Numbers |
|-----|---------------|---------------------------------|-------|----------------|
| 001 | 17211-ZE1-000 | ELEMENT, AIR CLEANER (SEMI DRY) | 1 | |
| 002 | 17212-ZE1-000 | GRID, AIR CLEANER (SEMI DRY) | 1 | |
| 003 | 17231-ZE1-000 | COVER, AIR CLEANER (SEMI DRY) | 1 | |
| 004 | 17238-ZE7-010 | COLLAR, AIR CLEANER | 2 | |
| 005 | 17239-ZE1-000 | COLLAR B, AIR CLEANER | 1 | |
| 006 | 17410-ZE1-020 | ELBOW COMP., AIR CLEANER | 1 | |
| 007 | 17421-ZE1-000 | CAP, CLEANER | 1 | |
| 008 | 90325-044-000 | NUT, TOOL BOX SETTING | 1 | |
| 009 | 94050-06000 | NUT, FLANGE, 6MM | 2 | |
| 010 | 95701-0602000 | BOLT, FLANGE, 6X20 | 1 | |

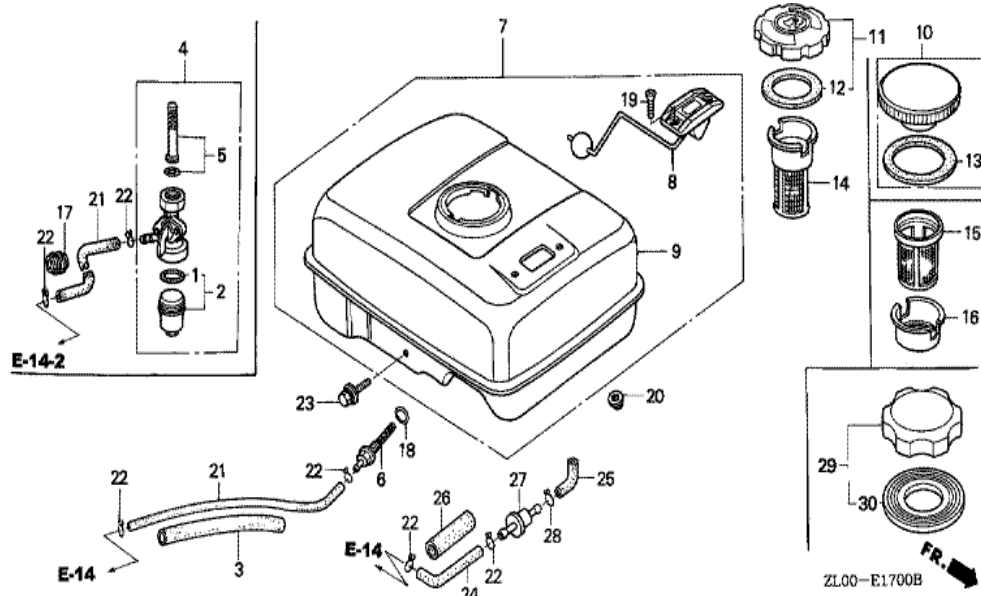
GX200(NAX)

E-16 MUFFLER (1)



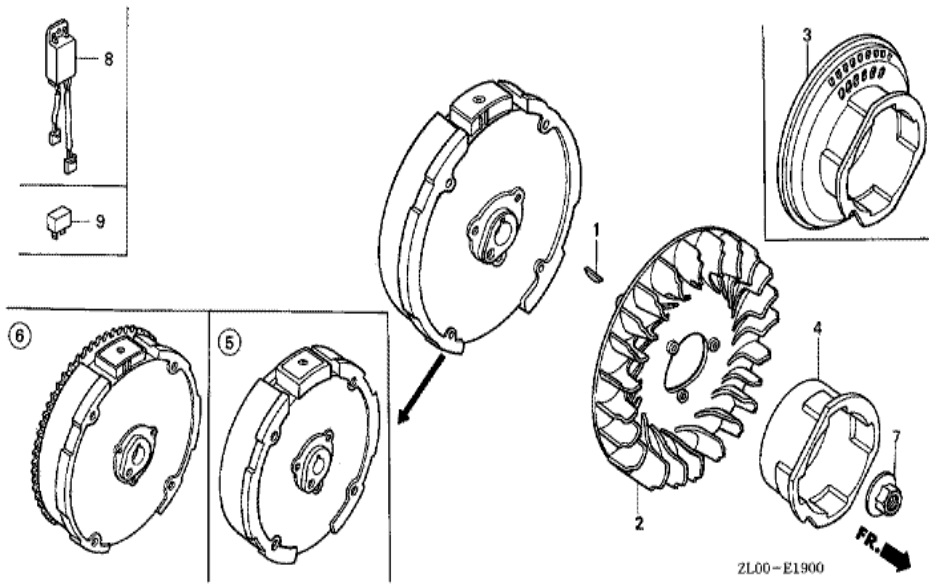
| Ref | Partnumber | Description | GX200 | Serial Numbers |
|-----|---------------|-----------------------------|-------|----------------|
| 002 | 18310-ZL0-000 | MUFFLER COMP. | 1 | |
| 003 | 18315-ZE1-000 | STAY, MUFFLER | 1 | |
| 004 | 18320-ZF1-H51 | PROTECTOR, MUFFLER (SILENT) | 1 | |
| 005 | 18331-883-810 | CAP, MUFFLER | 1 | |
| 007 | 18361-ZL0-000 | NETTING, WIRE FLANGE | 1 | |
| 008 | 18381-ZH8-800 | GASKET, MUFFLER | 1 | |
| 013 | 90016-ZE1-000 | BOLT, FLANGE, 6X13 (CT200) | 1 | |
| 014 | 90050-ZE1-000 | SCREW, TAPPING, 5X8 | 4 | |
| 017 | 90055-ZE1-000 | SCREW, TAPPING, 4X6 | 1 | |
| 020 | 94001-080000S | NUT, HEX., 8MM | 2 | |
| 022 | 95701-0601200 | BOLT, FLANGE, 6X12 | 1 | |
| 023 | 90055-ZE1-000 | SCREW, TAPPING, 4X6 | 2 | |

| | |
|------------|--------------------|
| GX200(NAX) | E-17 FUEL TANK (1) |
|------------|--------------------|



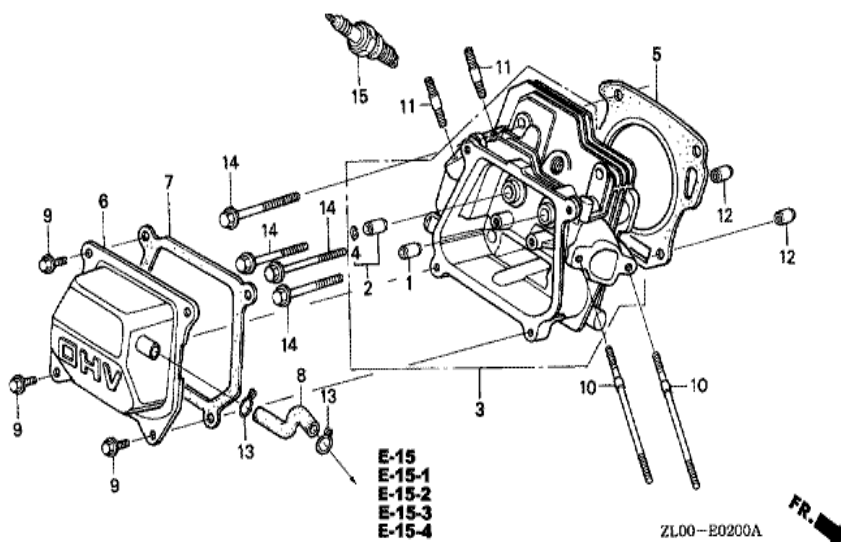
| Ref | Partnumber | Description | GX200 | Serial Numbers |
|-----|-----------------|---------------------------------------|-------|----------------|
| 003 | 16854-ZH8-000 | RUBBER, SUPPORTER (107MM) | 1 | |
| 006 | 16955-ZE1-000 | JOINT, FUEL TANK | 1 | |
| 007 | 17500-ZE1-813ZA | TANK ASSY., FUEL (GAUGE) *NH31 * | 1 | |
| 008 | 17505-ZE1-013 | GAUGE ASSY., FUEL | 1 | |
| 011 | 17620-ZH7-023 | CAP COMP., FUEL FILLER (BLACK) | 1 | |
| 012 | 17631-ZH7-003 | PACKING, FUEL FILLER CAP (39X58X3) | 1 | |
| 014 | 17672-ZE2-W01 | FILTER, FUEL | 1 | |
| 018 | 91353-671-004 | O-RING, 14MM (NOK) | 1 | |
| 019 | 93600-050100A | SCREW, FLAT, 5X10 | 2 | |
| 020 | 94050-06000 | NUT, FLANGE, 6MM | 2 | |
| 021 | 95001-4514040 | TUBE, FUEL, 4.5X140 (95001-45001-60M) | 1 | |
| 021 | 95001-4514040 | TUBE, FUEL, 4.5X140 (95001-45001-60M) | 1 | 1044774 |
| 022 | 95002-02080 | CLIP, TUBE (B8) | 2 | |
| Ref | Partnumber | Description | GX200 | Serial Numbers |
| 023 | 90004-ZL0-003 | BOLT, FLANGE, 6X34 | 1 | |

| | |
|------------|---------------|
| GX200(NAX) | E-19 FLYWHEEL |
|------------|---------------|



| Ref | Partnumber | Description | GX200 | Serial Numbers |
|-----|---------------|------------------------------|-------|----------------|
| 001 | 13331-357-000 | KEY, SPECIAL WOODRUFF, 25X18 | 1 | |
| 002 | 19511-ZE1-000 | FAN, COOLING | 1 | |
| 004 | 28451-ZL0-000 | PULLEY, STARTER | 1 | |
| 004 | 28451-ZL0-000 | PULLEY, STARTER | 1 | |
| 005 | 31110-ZL0-811 | FLYWHEEL COMP. (LAMP) | 1 | 1080844 |
| 005 | 31110-ZL0-811 | FLYWHEEL COMP. (LAMP) | 1 | |
| 007 | 90201-878-003 | NUT, SPECIAL, 14MM | 1 | |

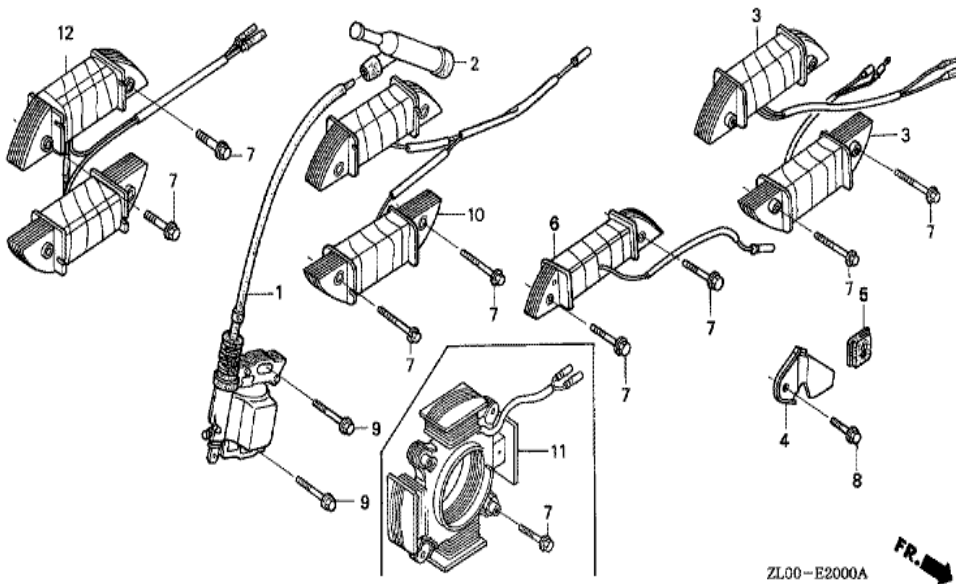
| | |
|------------|-------------------|
| GX200(NAX) | E-2 CYLINDER HEAD |
|------------|-------------------|



| <u>Ref</u> | <u>Partnumber</u> | <u>Description</u> | <u>GX200</u> | <u>Serial Numbers</u> |
|------------|-------------------|---|--------------|-----------------------|
| 001 | 12204-ZE1-306 | GUIDE, IN. VALVE (OS) | (1) | |
| 002 | 12205-ZE1-315 | GUIDE, EX. VALVE (OS) | (1) | |
| 003 | 12210-ZL0-000 | HEAD COMP., CYLINDER | 1 | |
| 004 | 12216-ZE5-300 | CLIP, VALVE GUIDE | 1 | |
| 005 | 12251-ZL0-003 | GASKET, CYLINDER HEAD (NIPPON LEAKLESS) | 1 | |
| 006 | 12310-ZE1-010 | COVER COMP., HEAD | 1 | |
| 007 | 12391-ZE1-000 | PACKING, HEAD COVER | 1 | |
| 008 | 15721-ZH8-000 | TUBE, BREATHER | 1 | |
| 008 | 15721-ZH8-000 | TUBE, BREATHER | 1 | |
| 009 | 90013-883-000 | BOLT, FLANGE, 6X12 (CT200) | 4 | |
| 010 | 90043-ZE1-020 | BOLT, STUD, 6X112 | 2 | |
| 010 | 90043-ZE1-020 | BOLT, STUD, 6X112 | 2 | |
| 011 | 90047-ZE1-000 | BOLT, STUD, 8X32 | 2 | |
| <u>Ref</u> | <u>Partnumber</u> | <u>Description</u> | <u>GX200</u> | <u>Serial Numbers</u> |
| 012 | 94301-10160 | DOWEL PIN, 10X16 | 2 | |
| 014 | 95723-0806000 | BOLT, FLANGE, 8X60 | 4 | |
| 015 | 98079-56841 | PLUG, SPARK (BP6ES) (NGK) | 1 | 1122110 |
| 015 | 98079-56841 | PLUG, SPARK (BP6ES) (NGK) | 1 | |
| 015 | 98079-56854 | PLUG, SPARK (W20EP-U) (DENSO) | 1 | 1267448 |
| 015 | 98079-56854 | PLUG, SPARK (W20EP-U) (DENSO) | 1 | |

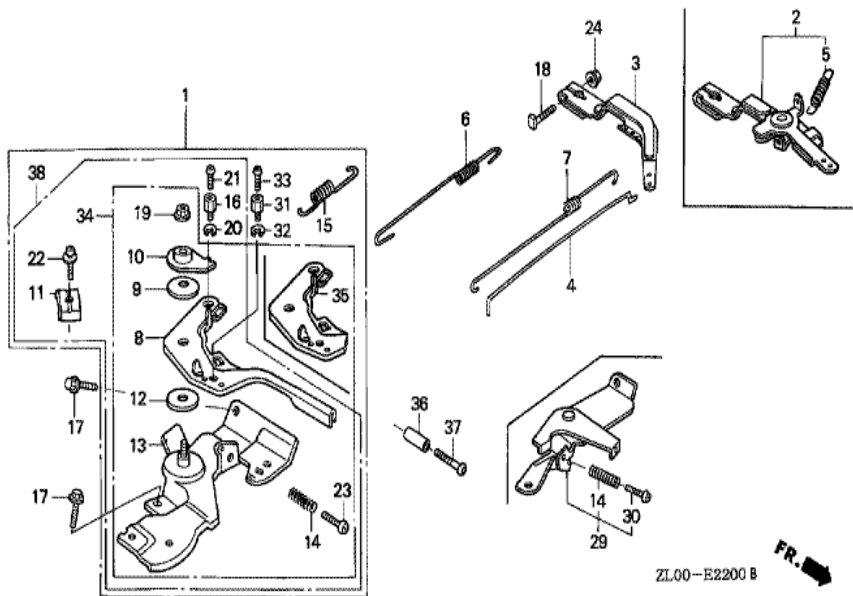
GX200(NAX)

E-20 IGNITION COIL



| Ref | Partnumber | Description | GX200 | Serial Numbers |
|-----|---------------|---|-------|----------------|
| 001 | 30500-ZE1-033 | COIL ASSY., IGNITION | 1 | |
| 002 | 30600-ZE1-013 | TERMINAL ASSY., HIGH TENSION (NICHIIWA Y- | 1 | |
| 003 | 31510-ZE1-811 | COIL ASSY., LAMP (12V/25W) | 1 | |
| 004 | 31511-ZE1-000 | CLAMPER, CORD | 1 | |
| 005 | 31512-ZE1-000 | GROMMET, CORD | 1 | |
| 007 | 90015-883-000 | BOLT, FLANGE, 6X28 (CT200) | 2 | |
| 007 | 90015-883-000 | BOLT, FLANGE, 6X28 (CT200) | 4 | |
| 008 | 90019-883-000 | BOLT, FLANGE, 5X10 | 1 | |
| 009 | 90121-952-000 | BOLT, FLANGE, 6X25 (CT200) | 2 | |

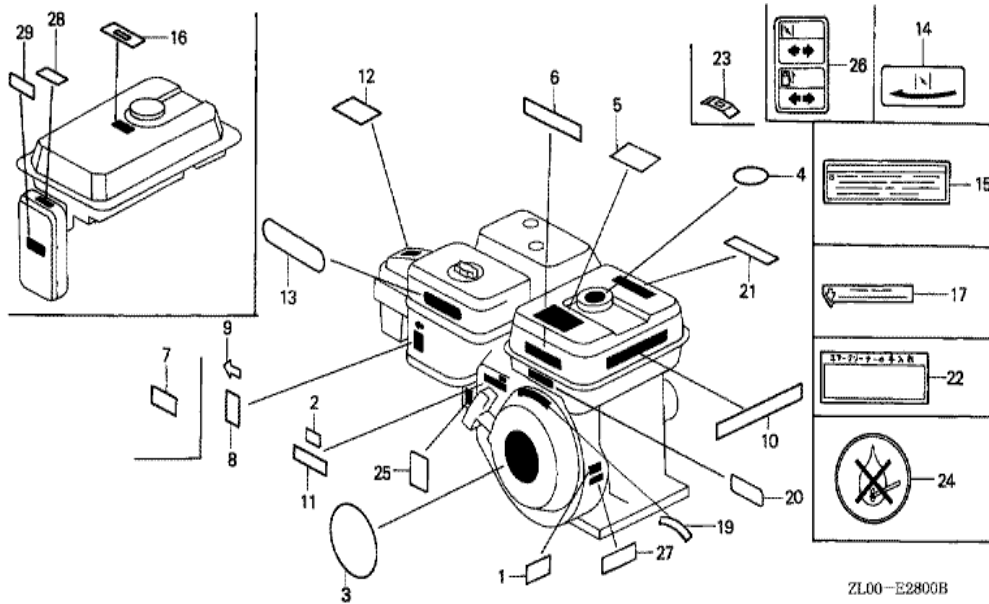
| | |
|------------|--------------|
| GX200(NAX) | E-22 CONTROL |
|------------|--------------|



| Ref | Partnumber | Description | GX200 | Serial Numbers |
|-----|---------------|---------------------------------|-------|-----------------|
| 001 | 16500-ZH8-811 | CONTROL ASSY. (REMOTE/INTERNAL) | 1 | 1113369 |
| 001 | 16500-ZH8-811 | CONTROL ASSY. (REMOTE/INTERNAL) | 1 | 1180377 |
| 001 | 16500-ZH8-812 | CONTROL ASSY. (REMOTE/INTERNAL) | 1 | 1180378 1288955 |
| 001 | 16500-ZH8-812 | CONTROL ASSY. (REMOTE/INTERNAL) | 1 | 1180378 1288955 |
| 001 | 16500-ZH8-813 | CONTROL ASSY. (REMOTE/INTERNAL) | 1 | 1288956 1310619 |
| 001 | 16500-ZH8-813 | CONTROL ASSY. (REMOTE/INTERNAL) | 1 | 1288956 |
| 003 | 16551-ZL0-000 | ARM, GOVERNOR | 1 | |
| 004 | 16555-ZE1-000 | ROD, GOVERNOR | 1 | |
| 006 | 16561-ZL0-000 | SPRING, GOVERNOR | 1 | |
| 007 | 16562-ZE1-020 | SPRING, THROTTLE RETURN | 1 | |
| 008 | 16571-ZH8-000 | LEVER, CONTROL | 1 | |
| 008 | 16571-ZH8-000 | LEVER, CONTROL | 1 | 1180377 |
| 008 | 16571-ZH8-010 | LEVER, CONTROL | 1 | 1180378 1288719 |

| <u>Ref</u> | <u>Partnumber</u> | <u>Description</u> | <u>GX200</u> | <u>Serial Numbers</u> | |
|------------|-------------------|------------------------------|--------------|-----------------------|---------|
| 008 | 16571-ZH8-010 | LEVER, CONTROL | 1 | 1180378 | 1288955 |
| 008 | 16571-ZH8-020 | LEVER, CONTROL | 1 | 1288956 | |
| 008 | 16571-ZH8-020 | LEVER, CONTROL | 1 | 1288956 | |
| 009 | 16574-ZE1-000 | SPRING, LEVER | 1 | | |
| 010 | 16575-ZH8-000 | WASHER, CONTROL LEVER | 1 | | |
| 011 | 16576-891-000 | HOLDER, CABLE | 1 | | |
| 012 | 16578-ZE1-000 | SPACER, CONTROL LEVER | 1 | | |
| 013 | 16580-ZH8-811 | BASE COMP., CONTROL (REMOTE) | 1 | | 1180377 |
| 013 | 16580-ZH8-811 | BASE COMP., CONTROL (REMOTE) | 1 | | 1180377 |
| 013 | 16580-ZH8-812 | BASE COMP., CONTROL (REMOTE) | 1 | 1180378 | 1269858 |
| 013 | 16580-ZH8-812 | BASE COMP., CONTROL (REMOTE) | 1 | 1180378 | 1288955 |
| 013 | 16580-ZH8-813 | BASE COMP., CONTROL (REMOTE) | 1 | 1288200 | |
| 013 | 16580-ZH8-813 | BASE COMP., CONTROL (REMOTE) | 1 | 1288956 | |
| 014 | 16584-883-300 | SPRING, CONTROL ADJUSTING | 1 | | |
| 015 | 16592-ZE1-810 | SPRING, CABLE RETURN | 1 | | |
| 016 | 16594-883-010 | HOLDER, WIRE | 1 | | |
| 017 | 90013-883-000 | BOLT, FLANGE, 6X12 (CT200) | 2 | | |
| 018 | 90015-ZE5-010 | BOLT, GOVERNOR ARM | 1 | | |
| 019 | 90114-SAO-000 | NUT, SELF-LOCK, 6MM | 1 | | |
| 020 | 90605-230-000 | CIRCLIP, 5MM | 1 | | |
| 021 | 93500-040060H | SCREW, PAN, 4X6 | 1 | | |
| 022 | 93500-050160A | SCREW, PAN, 5X16 | 1 | | |
| 023 | 93500-050250H | SCREW, PAN, 5X25 | 1 | | 1113369 |
| 023 | 93500-050250H | SCREW, PAN, 5X25 | 1 | | |
| 024 | 94050-06000 | NUT, FLANGE, 6MM | 1 | | |

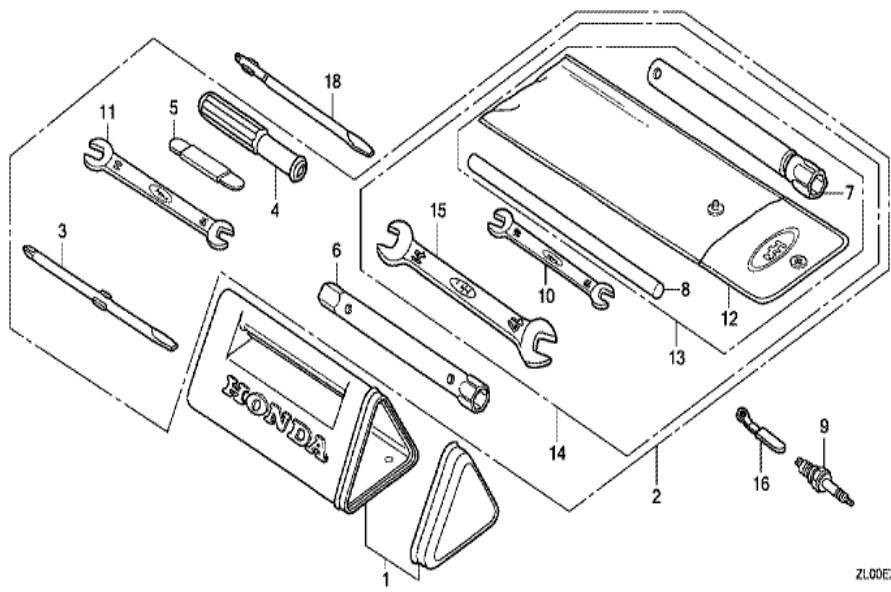
| | |
|------------|------------|
| GX200(NAX) | E-28 LABEL |
|------------|------------|



ZL00-E2800B

| Ref | Partnumber | Description | GX200 | Serial Numbers |
|-----|---------------|----------------------------------|-------|----------------|
| 001 | 87152-ZL0-820 | LABEL, SPECIFICATION (INTERNAL) | 1 | 1743006 |
| 001 | 87152-ZL0-820 | LABEL, SPECIFICATION (INTERNAL) | 1 | |
| 003 | 87521-ZL0-000 | EMBLEM | 1 | |
| 003 | 87521-ZL0-000 | EMBLEM | 1 | |
| 021 | 87526-ZH8-000 | MARK B, COMBINATION (JAPANESE) | 1 | |
| 023 | 87565-ZE2-000 | MARK, FUEL INDICATION (JAPANESE) | 1 | |

| | |
|------------|-----------|
| GX200(NAX) | E-29 TOOL |
|------------|-----------|

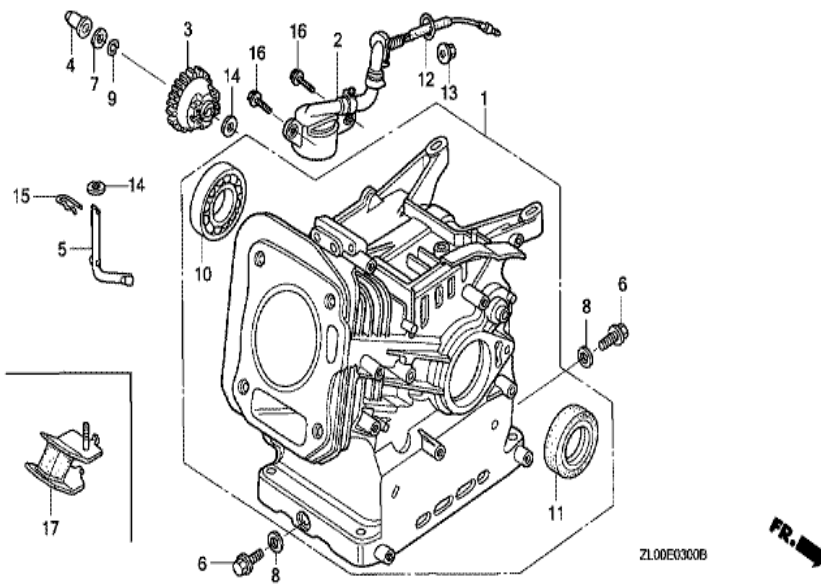


ZL00E2900B

| Ref | Partnumber | Description | GX200 | Serial Numbers |
|-----|---------------|--------------------------|-------|----------------|
| 007 | 89218-ZE1-000 | WRENCH COMP., SPARK PLUG | (1) | |
| 007 | 89218-ZE1-000 | WRENCH COMP., SPARK PLUG | 1 | |

GX200(NAX)

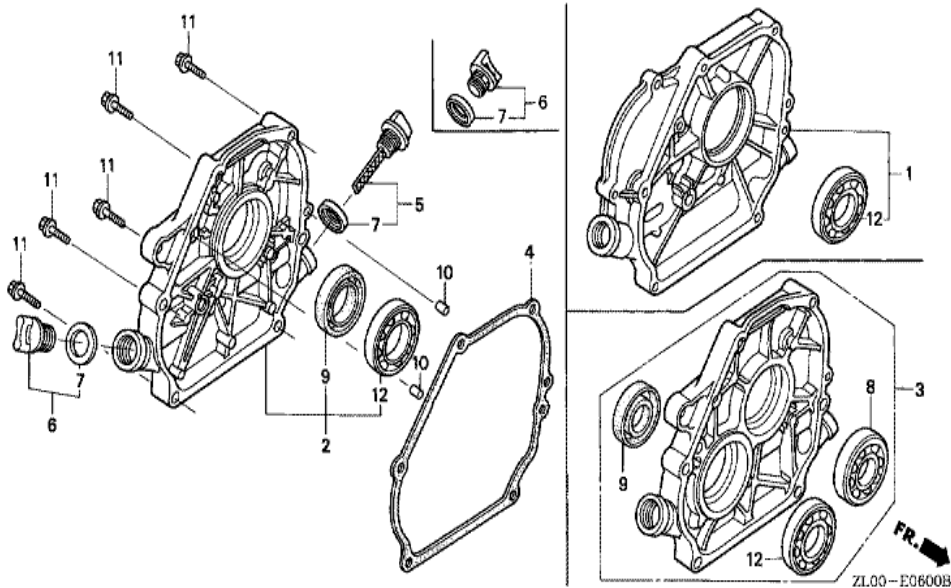
E-3 CYLINDER BARREL



| <u>Ref</u> | <u>Partnumber</u> | <u>Description</u> | <u>GX200</u> | <u>Serial Numbers</u> |
|------------|-------------------|--------------------------------------|--------------|-----------------------|
| 001 | 12000-ZL0-010 | BARREL ASSY., CYLINDER | 1 | |
| 003 | 16506-ZL0-000 | GOVERNOR ASSY. | 1 | |
| 004 | 16531-ZE1-000 | SLIDER, GOVERNOR | 1 | |
| 005 | 16541-ZE1-000 | SHAFT, GOVERNOR ARM | 1 | |
| 006 | 90131-ZE1-000 | BOLT, DRAIN PLUG | 2 | |
| 007 | 90451-ZE1-000 | WASHER, THRUST, 6MM | 1 | |
| 008 | 90601-ZE1-000 | WASHER, DRAIN PLUG, 10.2MM | 2 | |
| 009 | 90602-ZE1-000 | CLIP, GOVERNOR HOLDER | 1 | |
| 010 | 91001-ZF1-003 | BEARING, RADIAL BALL (6205TMB) (NTN) | 1 | |
| 010 | 91001-ZF1-004 | BEARING, RADIAL BALL (6205SH) (KOYO) | 1 | |
| 010 | 91001-ZF1-004 | BEARING, RADIAL BALL (6205SH) (KOYO) | 1 | |
| 011 | 91202-883-005 | OIL SEAL, 25X41X6 | 1 | 1853341 |
| 011 | 91202-883-005 | OIL SEAL, 25X41X6 | 1 | |
| <u>Ref</u> | <u>Partnumber</u> | <u>Description</u> | <u>GX200</u> | <u>Serial Numbers</u> |
| 014 | 94101-06800 | WASHER, PLAIN, 6MM | 2 | |
| 015 | 94251-08000 | PIN, LOCK, 8MM | 1 | |

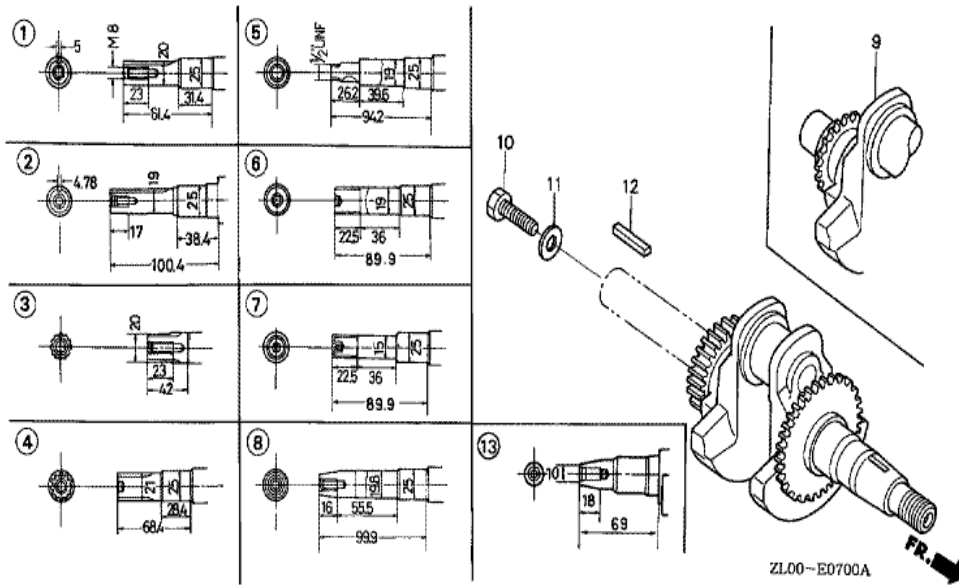
GX200(NAX)

E-6 CRANKCASE COVER (1)



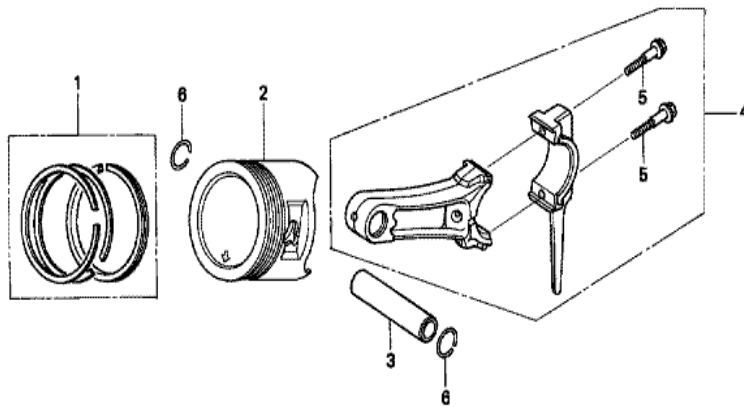
| Ref | Partnumber | Description | GX200 | Serial Numbers |
|-----|---------------|------------------------------|-------|----------------|
| 003 | 11300-ZL0-690 | COVER ASSY., CRANKCASE | 1 | |
| 004 | 11381-ZL0-000 | PACKING, CASE COVER | 1 | |
| 004 | 11381-ZL0-000 | PACKING, CASE COVER | 1 | |
| 005 | 15600-ZE1-003 | CAP ASSY., OIL FILLER (GRAY) | 1 | |
| 006 | 15600-ZG4-003 | CAP ASSY., OIL FILLER | 1 | |
| 007 | 15625-ZE1-003 | PACKING, OIL FILLER CAP | 2 | |
| 008 | 91001-GF6-004 | BEARING, RADIAL BALL, 6304 | 1 | |
| 009 | 91202-883-005 | OIL SEAL, 25X41X6 | 1 | 1854346 |
| 009 | 91202-883-005 | OIL SEAL, 25X41X6 | 1 | |
| 010 | 94301-08140 | DOWEL PIN, 8X14 | 2 | |
| 011 | 95701-0803200 | BOLT, FLANGE, 8X32 | 6 | |
| 011 | 95701-0803200 | BOLT, FLANGE, 8X32 | 6 | |
| 012 | 96100-6205000 | BEARING, RADIAL BALL, 6205 | 1 | |

| | |
|------------|----------------|
| GX200(NAX) | E-7 CRANKSHAFT |
|------------|----------------|



| Ref | Partnumber | Description | GX200 | Serial Numbers |
|-----|---------------|----------------------|-------|----------------|
| 009 | 13310-ZL0-690 | CRANKSHAFT COMP. | 1 | |
| 010 | 92101-080250A | BOLT, HEX., 8X25 | 1 | 1383993 |
| 010 | 92101-080250A | BOLT, HEX., 8X25 | 1 | |
| 011 | 90473-842-000 | WASHER, 8MM | 1 | |
| 012 | 90741-883-810 | KEY, 5X5X33 (YELLOW) | 1 | |

| | |
|------------|------------|
| GX200(NAX) | E-8 PISTON |
|------------|------------|



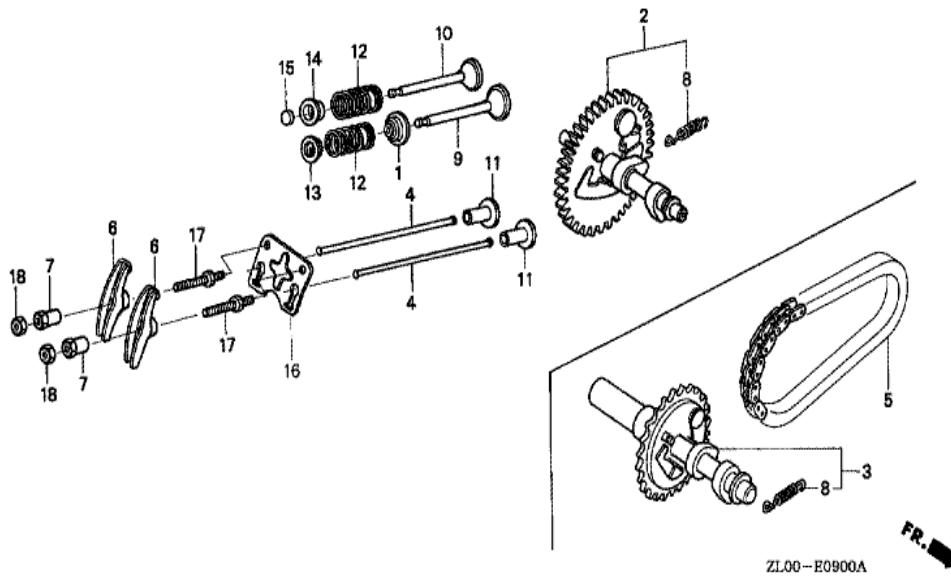
ZL00-E0800A



| <u>Ref</u> | <u>Partnumber</u> | <u>Description</u> | <u>GX200</u> | <u>Serial Numbers</u> |
|------------|-------------------|-----------------------------------|--------------|-----------------------|
| 001 | 13010-ZL0-003 | RING SET, PISTON (STD.) (TEIKOKU) | 1 | |
| 001 | 13011-ZL0-003 | RING SET, PISTON (0.25) (TEIKOKU) | (1) | |
| 001 | 13011-ZL0-003 | RING SET, PISTON (0.25) (TEIKOKU) | (1) | |
| 001 | 13012-ZL0-003 | RING SET, PISTON (0.50) (TEIKOKU) | (1) | |
| 001 | 13012-ZL0-003 | RING SET, PISTON (0.50) (TEIKOKU) | (1) | |
| 001 | 13013-ZL0-003 | RING SET, PISTON (0.75) (TEIKOKU) | (1) | |
| 001 | 13013-ZL0-003 | RING SET, PISTON (0.75) (TEIKOKU) | (1) | |
| 002 | 13101-ZL0-010 | PISTON (STD.) | 1 | |
| 002 | 13102-ZL0-010 | PISTON (0.25) | (1) | |
| 002 | 13102-ZL0-010 | PISTON (0.25) | (1) | |
| 002 | 13103-ZL0-010 | PISTON (0.50) | (1) | |
| 002 | 13103-ZL0-010 | PISTON (0.50) | (1) | |
| 002 | 13104-ZL0-010 | PISTON (0.75) | (1) | |
| <u>Ref</u> | <u>Partnumber</u> | <u>Description</u> | <u>GX200</u> | <u>Serial Numbers</u> |
| 002 | 13104-ZL0-010 | PISTON (0.75) | (1) | |
| 003 | 13111-ZE1-000 | PIN, PISTON | 1 | |
| 004 | 13200-ZE1-010 | ROD ASSY., CONNECTING (STD.) | 1 | |
| 005 | 90001-ZE1-000 | BOLT, CONNECTING ROD | 2 | |
| 006 | 90551-ZE1-000 | CLIP, PISTON PIN, 18MM | 2 | |

GX200(NAX)

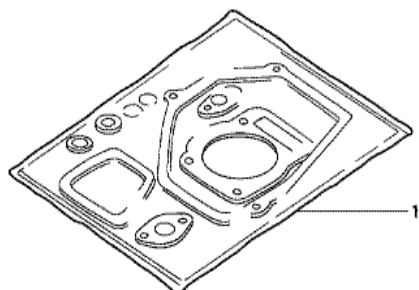
E-9 CAMSHAFT



| <u>Ref</u> | <u>Partnumber</u> | <u>Description</u> | <u>GX200</u> | <u>Serial Numbers</u> |
|------------|-------------------|---|--------------|-----------------------|
| 001 | 12209-ZL0-003 | SEAL, VALVE STEM | 1 | 1646760 |
| 001 | 12209-ZL0-003 | SEAL, VALVE STEM | 1 | |
| 003 | 14100-ZL0-690 | CAMSHAFT ASSY. | 1 | |
| 004 | 14410-ZE1-010 | ROD, PUSH | 2 | |
| 005 | 14411-ZH7-V91 | CHAIN, P.T.O. DRIVE (DID270FH DHA-36LE) | 1 | |
| 006 | 14431-ZE1-000 | ARM, VALVE ROCKER | 2 | |
| 007 | 14451-ZE1-013 | PIVOT, ROCKER ARM | 2 | |
| 008 | 14568-ZE1-000 | SPRING, WEIGHT RETURN | 1 | |
| 009 | 14711-ZF1-000 | VALVE, IN. | 1 | |
| 010 | 14721-ZF1-000 | VALVE, EX. | 1 | |
| 010 | 14721-ZF1-000 | VALVE, EX. | 1 | |
| 011 | 14731-ZL0-000 | LIFTER, VALVE | 2 | |
| 012 | 14751-ZF1-000 | SPRING, VALVE | 2 | |
| <u>Ref</u> | <u>Partnumber</u> | <u>Description</u> | <u>GX200</u> | <u>Serial Numbers</u> |
| 012 | 14751-ZF1-000 | SPRING, VALVE | 2 | |
| 013 | 14771-ZE1-000 | RETAINER, IN. VALVE SPRING | 1 | |
| 014 | 14773-ZE1-000 | RETAINER, EX. VALVE SPRING | 1 | |
| 014 | 14773-ZE1-000 | RETAINER, EX. VALVE SPRING | 1 | |
| 015 | 14781-ZE1-000 | ROTATOR, VALVE | 1 | |
| 016 | 14791-ZE1-010 | PLATE, PUSH ROD GUIDE | 1 | |
| 017 | 90012-ZE0-010 | BOLT, PIVOT, 8MM | 2 | |
| 018 | 90206-ZE1-000 | NUT, PIVOT ADJUSTING | 2 | |

GX200(NAX)

EOP-1 GASKET KIT



HENG-X0003

| <u>Ref</u> | <u>Partnumber</u> | <u>Description</u> | <u>GX200</u> | <u>Serial Numbers</u> |
|------------|-------------------|--------------------|--------------|-----------------------|
| 001 | 06111-ZL0-000 | GASKET KIT | 1 | |