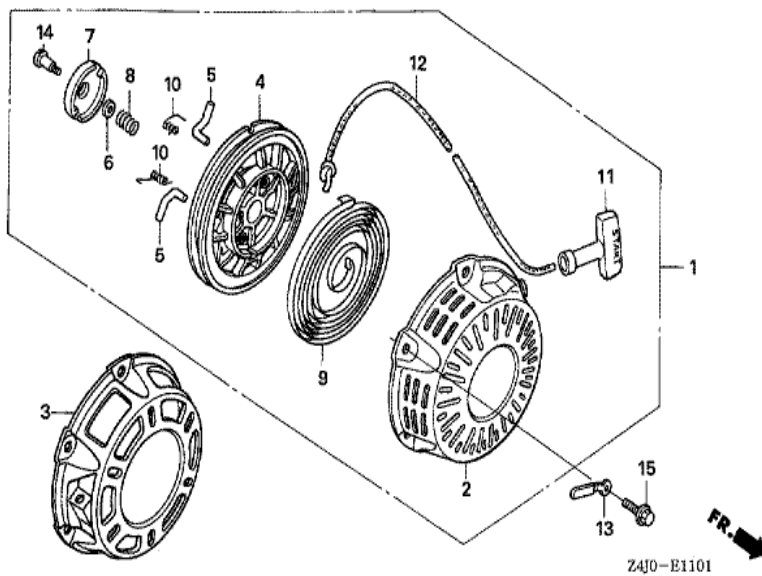


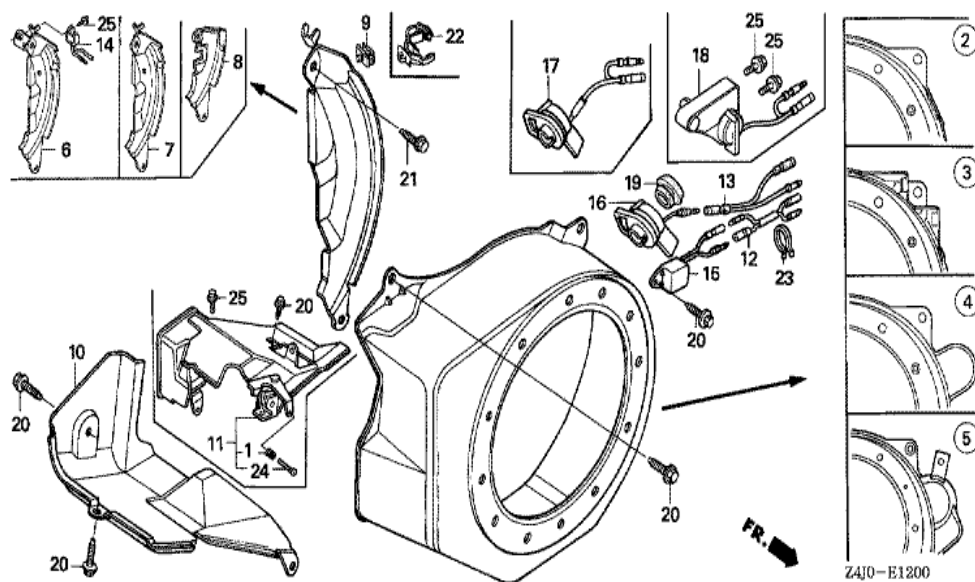
GX160U1(QXE8)	E-11-1 RECOIL STARTER (2)
---------------	---------------------------



<u>Ref</u>	<u>Partnumber</u>	<u>Description</u>	<u>GX160U1</u>	<u>Serial Numbers</u>
001	28400-ZH8-023YA	STARTER ASSY., RECOIL *R280 *	1	1253961
001	28400-ZH8-033YA	STARTER ASSY., RECOIL *R280*	1	1253962
002	28410-ZH8-003YA	CASE COMP., RECOIL STARTER *R280 *	1	
004	28421-ZH8-801	REEL, RECOIL STARTER (BLACK)	1	
005	28422-ZH8-801	RATCHET, STARTER	2	
006	28431-ZH8-801	PLATE, FRICTION	1	
007	28433-ZH8-801	GUIDE, RATCHET	1	
008	28441-ZH8-801	SPRING, FRICTION	1	
009	28442-ZH8-003	SPRING, RECOIL STARTER	1	
010	28443-ZH8-801	SPRING, RETURN	2	
011	28461-ZH8-003	GRIP, STARTER	1	1253961
011	28461-ZH8-013	KNOB, RECOIL STARTER	1	1253962
012	28462-ZH8-003	ROPE, RECOIL STARTER	1	
<u>Ref</u>	<u>Partnumber</u>	<u>Description</u>	<u>GX160U1</u>	<u>Serial Numbers</u>
014	90003-ZH8-801	SCREW, SETTING	1	
015	90008-ZE2-003	BOLT, FLANGE, 6X10	3	

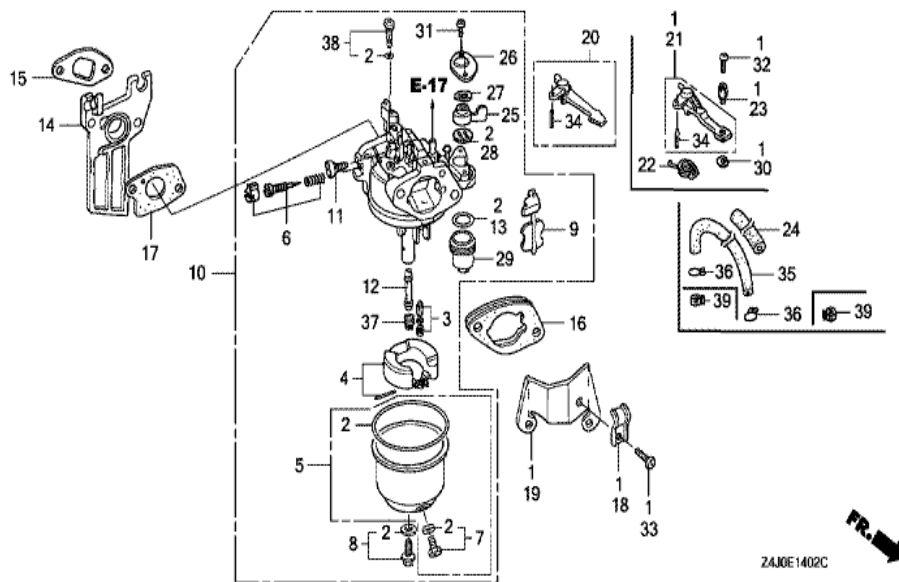
GX160U1(QXE8)

E-12 FAN COVER



Ref	Partnumber	Description	GX160U1	Serial Numbers
005	19610-ZE1-830ZG	COVER COMP., FAN (STARTER MOTOR) *R280 *	1	1125923
005	19610-ZE1-830ZG	COVER COMP., FAN (STARTER MOTOR) *R280 *	1	1125923
005	19610-ZE1-831ZG	COVER COMP., FAN (STARTER MOTOR) *R280 *	1	1125924
005	19610-ZE1-831ZG	COVER COMP., FAN (STARTER MOTOR) *R280 *	1	1125924
008	19612-ZH8-840	PLATE, SIDE (STARTER MOTOR)	1	
010	19630-ZH8-000	SHROUD COMP.	1	
010	19630-ZH8-000	SHROUD COMP.	1	
020	90013-883-000	BOLT, FLANGE, 6X12 (CT200)	4	
020	90013-883-000	BOLT, FLANGE, 6X12 (CT200)	6	
021	90121-952-000	BOLT, FLANGE, 6X25 (CT200)	1	
021	90121-952-000	BOLT, FLANGE, 6X25 (CT200)	1	

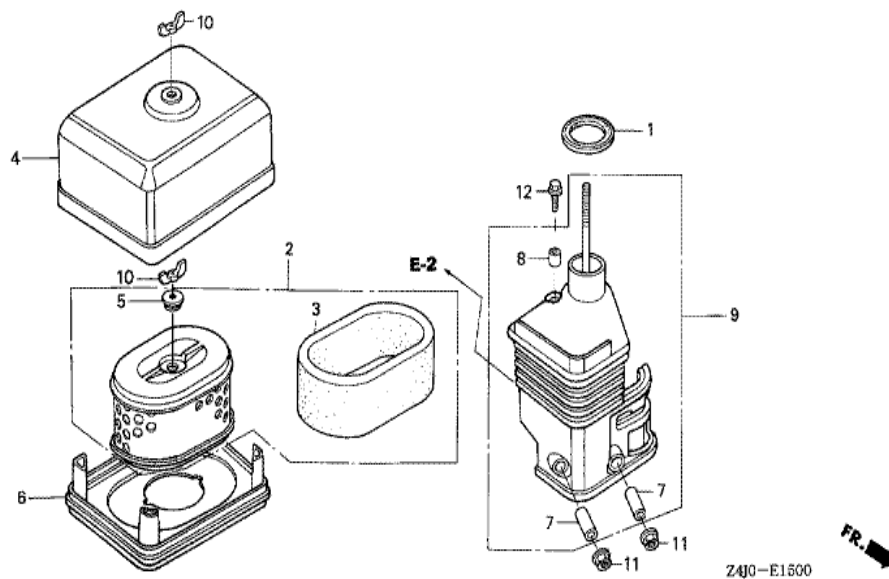
GX160U1(QXE8)	E-14-2 CARBURETOR (3)
---------------	-----------------------



Ref	Partnumber	Description	GX160U1	Serial Numbers
002	16010-ZE1-812	GASKET SET	1	
003	16011-ZE0-005	VALVE SET, FLOAT	1	
004	16013-ZE0-005	FLOAT SET	1	
005	16015-ZE0-831	CHAMBER SET, FLOAT	1	
006	16016-ZH7-W01	SCREW SET, PILOT	1	
007	16024-ZE1-811	SCREW SET, DRAIN	1	
008	16028-ZE0-005	SCREW SET	1	
009	16044-ZE0-005	CHOKE SET	1	
010	16100-ZH8-W51	CARBURETOR ASSY. (BE65B B/C)	1	
010	16100-ZH8-W51	CARBURETOR ASSY. (BE65B B/C)	1	
011	16124-ZE0-005	SCREW, THROTTLE STOP	1	
012	16166-ZH8-W50	NOZZLE, MAIN	1	
012	16166-ZH8-W50	NOZZLE, MAIN	1	

<u>Ref</u>	<u>Partnumber</u>	<u>Description</u>	<u>GX160U1</u>	<u>Serial Numbers</u>
013	16173-001-004	PACKING, FUEL STRAINER CUP	1	
014	16211-ZE1-000	INSULATOR, CARBURETOR	1	
015	16212-ZH8-800	PACKING, INSULATOR	1	
016	16220-ZE1-020	SPACER COMP., CARBURETOR	1	
017	16221-ZH8-801	PACKING, CARBURETOR	1	
020	16610-ZE1-000	LEVER COMP., CHOKE (STD.)	1	
025	16953-ZE1-812	LEVER, COCK	1	
026	16954-ZE1-812	PLATE, LEVER SETTING	1	
027	16956-ZE1-811	SPRING, COCK LEVER	1	
028	16957-ZE1-812	PACKING, FUEL COCK	1	
029	16967-ZE0-811	CUP, FUEL STRAINER	1	
031	93500-030061H	SCREW, PAN, 3X6	2	
034	94305-20122	PIN, SPRING, 2X12	1	
037	99101-ZH80650	JET, MAIN, #65	(1)	
037	99101-ZH80650	JET, MAIN, #65	(1)	
037	99101-ZH80680	JET, MAIN, #68	(1)	
037	99101-ZH80680	JET, MAIN, #68	(1)	
037	99101-ZH80700	JET, MAIN, #70	1	
037	99101-ZH80700	JET, MAIN, #70	1	
038	99204-ZE00350	JET SET, PILOT, #35	1	

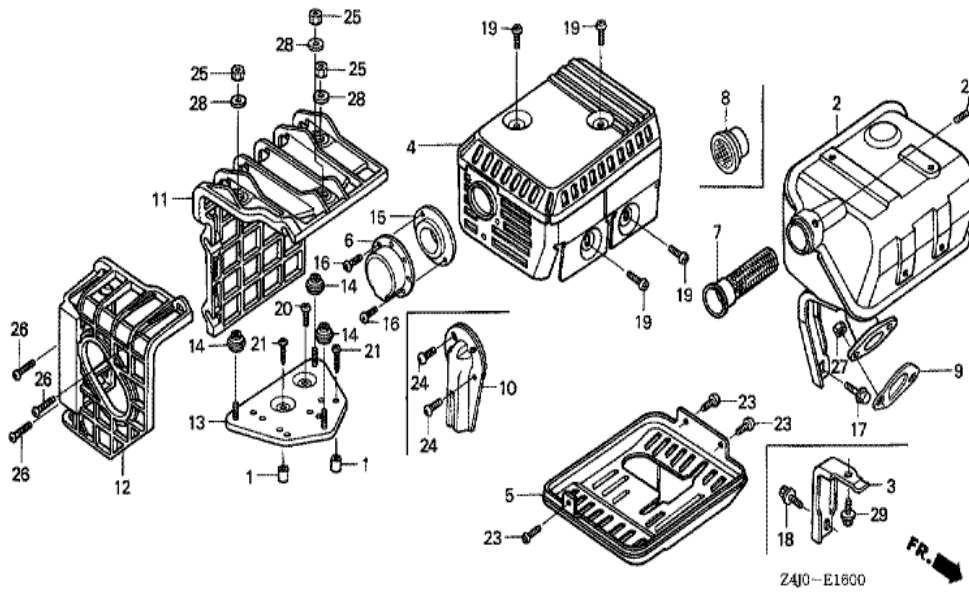
GX160U1(QXE8)	E-15 AIR CLEANER (1)
---------------	----------------------



Ref	Partnumber	Description	GX160U1	Serial Numbers
001	16271-ZE1-000	PACKING, ELBOW	1	
002	17210-ZE1-822	ELEMENT, AIR CLEANER (DUAL)	1	
003	17218-ZE1-821	FILTER, OUTER	1	
004	17230-ZE1-820	COVER, AIR CLEANER (DUAL)	1	
005	17232-891-000	GROMMET, AIR CLEANER	1	
007	17238-ZE7-010	COLLAR, AIR CLEANER	2	
008	17239-ZE1-000	COLLAR B, AIR CLEANER	1	
009	17410-ZE1-020	ELBOW COMP., AIR CLEANER	1	
010	90325-044-000	NUT, TOOL BOX SETTING	2	
011	94050-06000	NUT, FLANGE, 6MM	2	
012	95701-0602000	BOLT, FLANGE, 6X20	1	

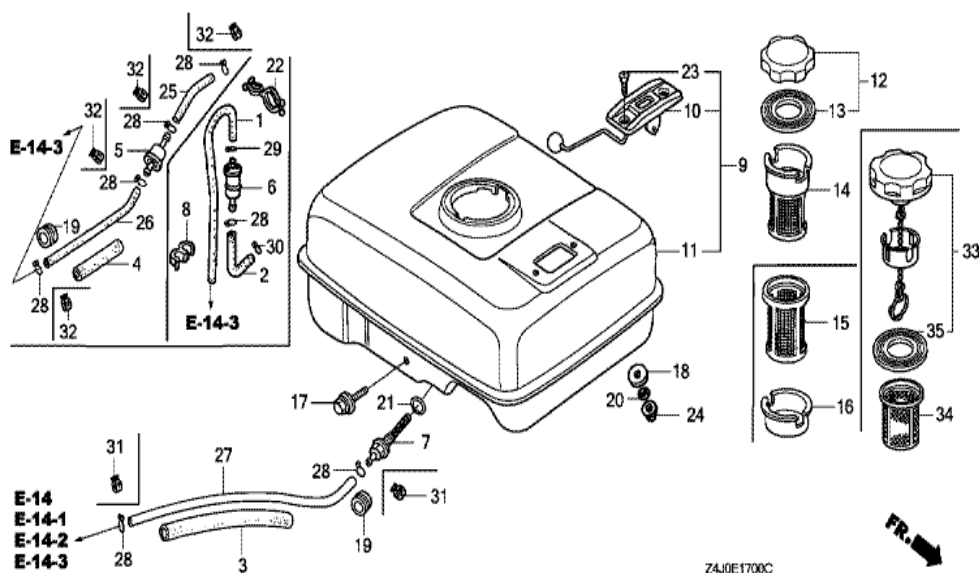
GX160U1(QXE8)

E-16 MUFFLER (1)



Ref	Partnumber	Description	GX160U1	Serial Numbers
002	18310-ZF1-000	MUFFLER COMP. (STD.)	1	
002	18310-ZF1-000	MUFFLER COMP. (STD.)	1	
002	18310-ZH8-810	MUFFLER COMP. (ARRESTER)	(1)	
002	18310-ZH8-810	MUFFLER COMP. (ARRESTER)	(1)	
004	18320-ZF1-H01	PROTECTOR, MUFFLER (STD.) (BLACK)	1	
007	18355-ZE1-000	ARRESTER, SPARK	1	
007	18355-ZE1-000	ARRESTER, SPARK	(1)	
009	18381-ZH8-800	GASKET, MUFFLER	1	
019	90050-ZE1-000	SCREW, TAPPING, 5X8	4	
022	90055-ZE1-000	SCREW, TAPPING, 4X6	1	
022	90055-ZE1-000	SCREW, TAPPING, 4X6	(1)	
027	94001-08000S	NUT, HEX., 8MM	2	

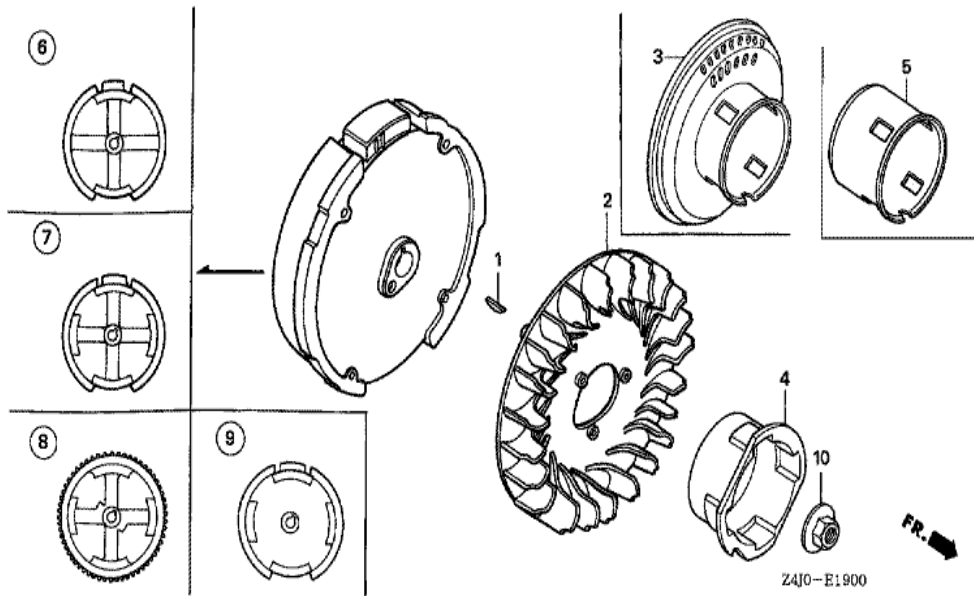
GX160U1(QXE8)	E-17 FUEL TANK (1)
---------------	--------------------



Ref	Partnumber	Description	GX160U1	Serial Numbers
003	16854-ZH8-000	RUBBER, SUPPORTER (107MM)	1	
007	16955-ZE1-000	JOINT, FUEL TANK	1	
011	17510-ZE1-020ZA	TANK COMP., FUEL *NH31 *	1	
011	17510-ZE1-020ZA	TANK COMP., FUEL *NH31 *	1	1137417
011	17510-ZE1-030ZA	TANK COMP., FUEL *NH31 *	1	1137418
011	17510-ZE1-030ZA	TANK COMP., FUEL *NH31 *	1	1137418
012	17620-Z0T-305	CAP COMP., FUEL FILLER (CHROME PLATED)	1	1125014
013	17631-Z0T-812	PACKING, FUEL FILLER CAP (39X62X3) (TOUY)	1	1125014
017	90004-ZH7-003	BOLT, FLANGE, 6X29	1	
021	91353-671-004	O-RING, 14MM (NOK)	1	
024	94050-06000	NUT, FLANGE, 6MM	2	
027	91424-Z4F-801	TUBE, FUEL, 4.5X140 (FKM)	1	1031488
027	91424-Z4F-801	TUBE, FUEL, 4.5X140 (FKM)	1	1031488 1217804

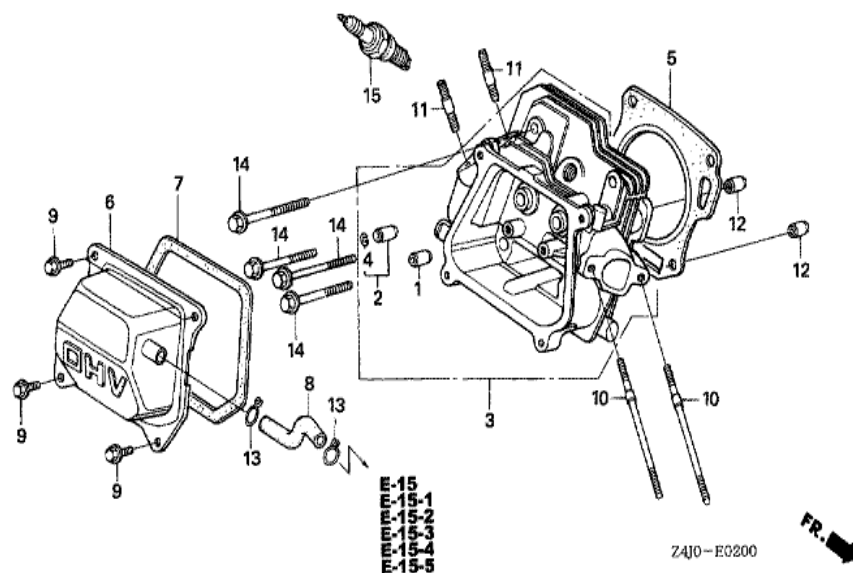
<u>Ref</u>	<u>Partnumber</u>	<u>Description</u>	<u>GX160U1</u>	<u>Serial Numbers</u>
027	91424-Z4F-802	TUBE, FUEL, 4.5X140 (FKM)	1	1217805
027	91424-Z4F-802	TUBE, FUEL, 4.5X140 (FKM)	1	1217805
027	95001-4514040	TUBE, FUEL, 4.5X140 (95001-45001-60M)	1	1031487
027	95001-4514040	TUBE, FUEL, 4.5X140 (95001-45001-60M)	1	1031487
028	95002-02080	CLIP, TUBE (B8)	1	
028	95002-02080	CLIP, TUBE (B8)	2	1031487
031	95002-4080008	CLAMP, TUBE (D8)	2	
031	95002-4080008	CLAMP, TUBE (D8)	2	1031488
033	17620-Z4H-000	CAP COMP., FUEL FILLER (CHROME PLATED)	1	1125015
033	17620-Z4H-000	CAP COMP., FUEL FILLER (CHROME PLATED)	1	1125015 1191178
033	17620-Z4H-010	CAP COMP., FUEL FILLER (CHROME PLATED)	1	1191179 1206095
033	17620-Z4H-010	CAP COMP., FUEL FILLER (CHROME PLATED)	1	1191179 1206095
033	17620-Z4H-020	CAP COMP., FUEL FILLER	1	1206096
033	17620-Z4H-020	CAP COMP., FUEL FILLER	1	1206096
035	17631-Z0T-801	PACKING, FUEL FILLER CAP (39X62X3) (RADI	1	
035	17631-Z0T-801	PACKING, FUEL FILLER CAP (39X62X3) (RADI	1	1125015 1191178
035	17631-Z0T-801	PACKING, FUEL FILLER CAP (39X62X3) (RADI	1	1206096
035	17631-Z4H-800	PACKING, FUEL FILLER CAP (39X62X3)	1	1191179 1206095
035	17631-Z4H-800	PACKING, FUEL FILLER CAP (39X62X3)	1	1191179 1206095

GX160U1 (QXE8)	E-19 FLYWHEEL
----------------	---------------



Ref	Partnumber	Description	GX160U1	Serial Numbers
001	13331-357-000	KEY, SPECIAL WOODRUFF, 25X18	1	
002	19511-ZE1-000	FAN, COOLING	1	
005	28451-ZH8-801	PULLEY, STARTER	1	
008	31100-ZE1-821	FLYWHEEL COMP. (STARTER MOTOR)	1	
010	90201-878-003	NUT, SPECIAL, 14MM	1	

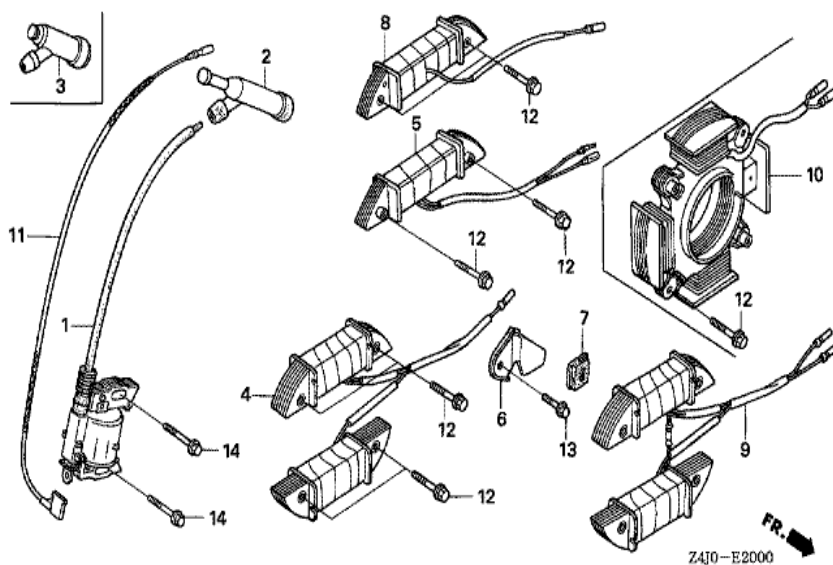
GX160U1(QXE8)	E-2 CYLINDER HEAD
---------------	-------------------



<u>Ref</u>	<u>Partnumber</u>	<u>Description</u>	<u>GX160U1</u>	<u>Serial Numbers</u>
001	12204-ZE1-306	GUIDE, IN. VALVE (OS)	1	
002	12205-ZE1-315	GUIDE, EX. VALVE (OS)	1	
003	12210-ZH8-415	HEAD COMP., CYLINDER	1	
003	12210-ZH8-415	HEAD COMP., CYLINDER	1	
004	12216-ZE5-300	CLIP, VALVE GUIDE	1	
005	12251-ZF1-800	GASKET, CYLINDER HEAD	1	
006	12310-ZE1-020	COVER COMP., HEAD	1	
007	12391-ZE1-000	PACKING, HEAD COVER	1	
008	15721-ZH8-000	TUBE, BREATHER	1	
008	15721-ZH8-000	TUBE, BREATHER	1	
009	90013-883-000	BOLT, FLANGE, 6X12 (CT200)	4	
010	90043-ZE1-020	BOLT, STUD, 6X112	2	
010	90043-ZE1-020	BOLT, STUD, 6X112	2	
<u>Ref</u>	<u>Partnumber</u>	<u>Description</u>	<u>GX160U1</u>	<u>Serial Numbers</u>
011	90047-ZE1-000	BOLT, STUD, 8X32	2	
012	94301-10160	DOWEL PIN, 10X16	2	
014	95701-0806000	BOLT, FLANGE, 8X60	4	1144875
014	95723-0806000	BOLT, FLANGE, 8X60	4	1144874
014	95723-0806000	BOLT, FLANGE, 8X60	4	1144874
015	98079-56846	PLUG, SPARK (BPR6ES) (NGK)	1	
015	98079-56846	PLUG, SPARK (BPR6ES) (NGK)	1	
015	98079-56855	PLUG, SPARK (W20EPR-U) (DENSO)	1	
015	98079-56855	PLUG, SPARK (W20EPR-U) (DENSO)	1	

GX160U1(QXE8)

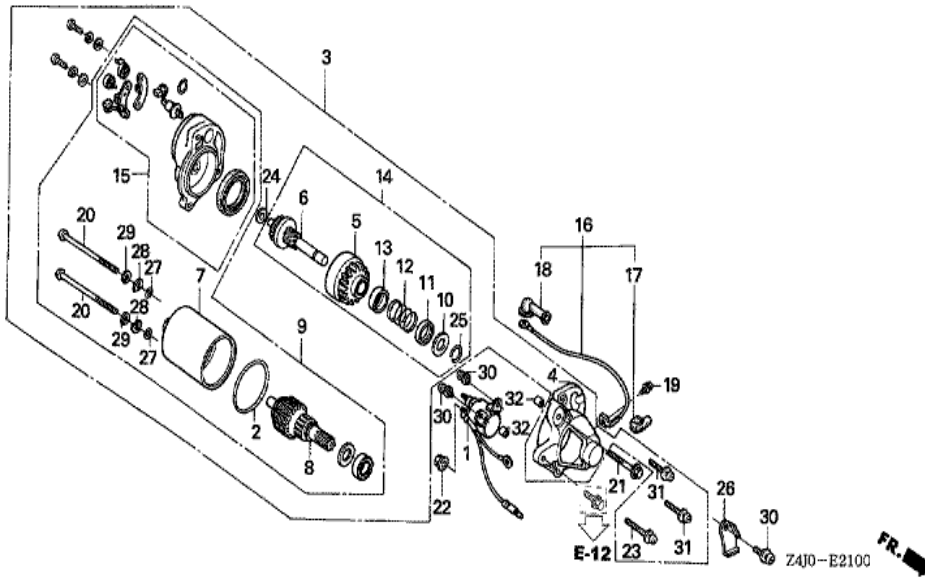
E-20 IGNITION COIL



Ref	Partnumber	Description	GX160U1	Serial Numbers
001	30500-ZE1-063	COIL ASSY., IGNITION	1	
001	30500-ZE1-063	COIL ASSY., IGNITION	1	1141205
001	30500-ZE1-073	COIL ASSY., IGNITION	1	1141206
001	30500-ZE1-073	COIL ASSY., IGNITION	1	1141206
002	30700-ZE1-013	CAP ASSY., NOISE SUPPRESSOR (NICHIIWA Y-E	1	
006	31511-ZE1-000	CLAMPER, CORD	1	
007	31512-ZE1-000	GROMMET, CORD	1	
008	31630-ZE1-003	COIL ASSY., CHARGE (1A)	1	1150864
008	31630-ZE1-013	COIL ASSY., CHARGE (1A)	1	1150865
011	36101-ZB2-010	CORD, STOP SWITCH (395MM)	1	
012	90015-883-000	BOLT, FLANGE, 6X28 (CT200)	2	
013	90019-883-000	BOLT, FLANGE, 5X10	1	
014	90121-952-000	BOLT, FLANGE, 6X25 (CT200)	2	

GX160U1(QXE8)

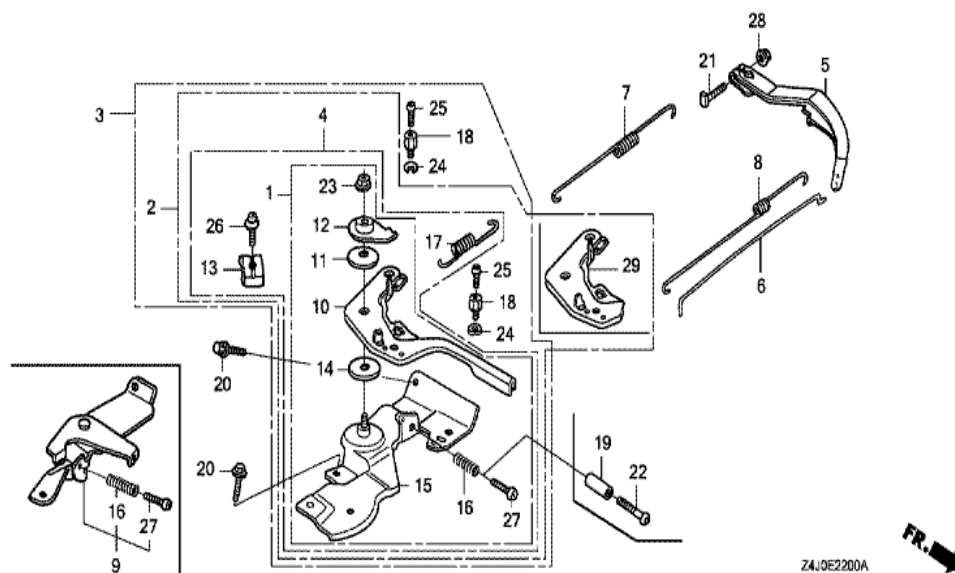
E-21 STARTER MOTOR



Ref	Partnumber	Description	GX160U1	Serial Numbers
001	31204-ZE1-003	SWITCH COMP., STARTING MAGNET	1	
001	31204-ZE1-003	SWITCH COMP., STARTING MAGNET	1	1150864
001	31204-ZE1-013	SWITCH COMP., STARTING MAGNET	1	1150865
001	31204-ZE1-013	SWITCH COMP., STARTING MAGNET	1	1150865
002	31206-KN7-670	O-RING	1	
003	31210-ZE1-023	MOTOR UNIT, STARTER (SM-11203) (162MM)	1	
004	31212-ZE1-003	COVER COMP., GEAR	1	
005	31214-ZE1-003	PINION ASSY.	1	
006	31215-ZE1-003	SHAFT UNIT, GEAR	1	
007	31216-ZE1-003	YOKE ASSY.	1	
008	31217-ZE1-013	ROTOR ASSY.	1	
009	31220-ZE1-013	MOTOR ONLY	1	
010	31221-ZE1-003	PIECE A, STOPPER	1	

<u>Ref</u>	<u>Partnumber</u>	<u>Description</u>	<u>GX160U1</u>	<u>Serial Numbers</u>
011	31222-ZE1-003	PIECE B, STOPPER	1	
012	31223-ZE1-003	SPRING, RETURN	1	
013	31224-ZE1-003	COVER, SPRING	1	
014	31230-ZE1-003	GEAR ASSY.	1	
015	31235-ZE1-013	BRACKET COMP., FR.	1	
016	32410-ZE1-000	CORD, MAGNET SWITCH	1	
016	32410-ZE1-000	CORD, MAGNET SWITCH	1	1155290
016	32410-ZE1-010	CORD, MAGNET SWITCH	1	1155291
016	32410-ZE1-010	CORD, MAGNET SWITCH	1	1155291
017	32411-ZE1-000	COVER, MAGNETIC SWITCH	1	
018	32411-253-000	COVER, STARTER MOTOR TERMINAL	1	
019	90010-ZE1-003	SCREW-WASHER, 5X8	1	
020	90012-ZE1-003	BOLT, SETTING	2	
021	90017-883-000	BOLT, FLANGE, 6X32 (CT200)	1	
022	90071-MB0-000	NUT-WASHER, 6MM	2	
023	90115-GB4-700	SCREW-WASHER, 5X30	1	
024	90502-187-701	WASHER, PINION	1	
025	90603-ZE1-003	CIRCLIP, 10.2MM	1	
026	90631-ZE1-003	HOLDER, HARNESS	1	
027	91301-ZE1-003	O-RING	2	
028	91402-ZE6-003	WASHER, SPECIAL	2	
029	91403-ZE6-003	WASHER, SPRING	2	
030	93892-0501408	SCREW-WASHER, 5X14	3	
031	93892-0502008	SCREW-WASHER, 5X20	2	
032	94301-08100	DOWEL PIN, 8X10	2	

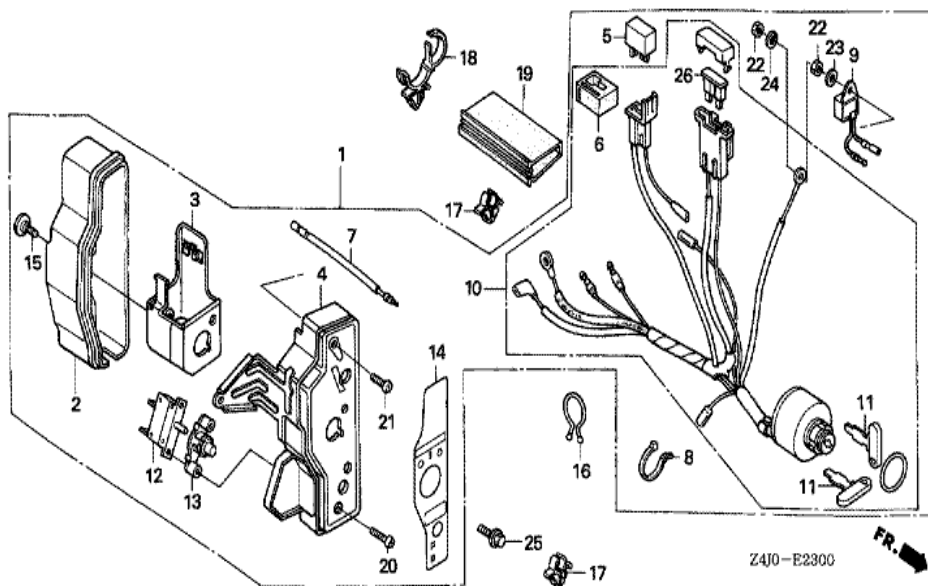
GX160U1(QXE8)	E-22 CONTROL
---------------	--------------



Ref	Partnumber	Description	GX160U1	Serial Numbers
004	16500-ZH8-823	CONTROL ASSY. (REMOTE)	1	
005	16551-ZE0-010	ARM, GOVERNOR	1	
005	16551-ZE0-010	ARM, GOVERNOR	1	
006	16555-ZE1-000	ROD, GOVERNOR	1	
007	16561-ZE1-020	SPRING, GOVERNOR	1	
008	16562-ZE1-020	SPRING, THROTTLE RETURN	1	
010	16571-ZH8-020	LEVER, CONTROL	1	
011	16574-ZE1-000	SPRING, LEVER	1	
012	16575-ZH8-000	WASHER, CONTROL LEVER	1	
013	16576-891-000	HOLDER, CABLE	1	
014	16578-ZE1-000	SPACER, CONTROL LEVER	1	
015	16580-ZH8-813	BASE COMP., CONTROL (REMOTE)	1	
015	16580-ZH8-813	BASE COMP., CONTROL (REMOTE)	1	
Ref	Partnumber	Description	GX160U1	Serial Numbers
016	16584-883-300	SPRING, CONTROL ADJUSTING	1	
017	16592-ZE1-810	SPRING, CABLE RETURN	1	
020	90013-883-000	BOLT, FLANGE, 6X12 (CT200)	2	
021	90015-ZE5-010	BOLT, GOVERNOR ARM	1	
023	90114-SA0-000	NUT, SELF-LOCK, 6MM	1	
026	93500-050160A	SCREW, PAN, 5X16	1	
027	93500-050250H	SCREW, PAN, 5X25	1	
027	93500-050250H	SCREW, PAN, 5X25	1	
028	94050-06000	NUT, FLANGE, 6MM	1	

GX160U1(QXE8)

E-23 CONTROL BOX

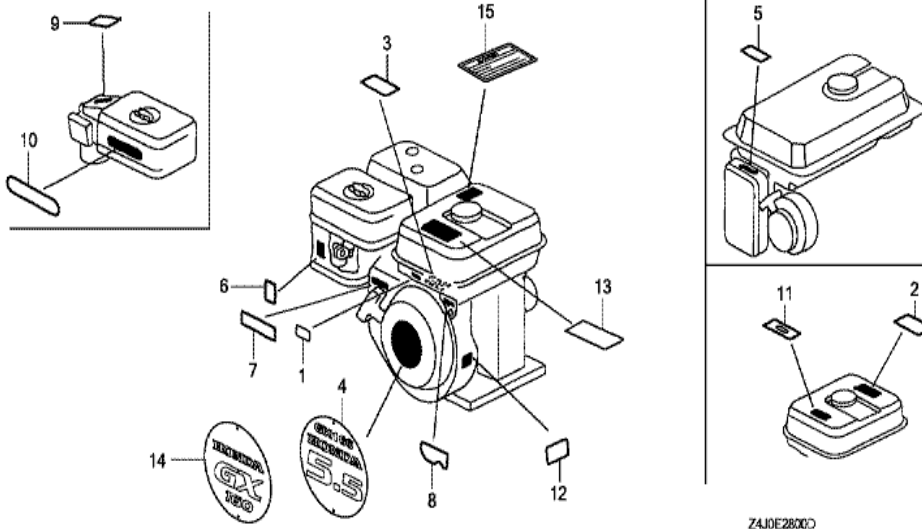


Ref	Partnumber	Description	GX160U1	Serial Numbers
001	31610-Z4T-841ZB	BOX ASSY., CONTROL (EXP-ALERT) *R280*	1	1147057
001	31610-Z4T-841ZB	BOX ASSY., CONTROL (EXP-ALERT) *R280*	1	1147057
001	31610-Z4T-842ZB	BOX ASSY., CONTROL (EXP-ALERT) *R280*	1	1147058
001	31610-Z4T-842ZB	BOX ASSY., CONTROL (EXP-ALERT) *R280*	1	1147058
002	31612-ZE2-003	CASE, CONTROL	1	
003	31614-ZE2-003	BRACKET, CASE MOUNTING	1	
004	31615-ZE1-003ZG	PANEL COMP., CONTROL *R280 *	1	
004	31615-ZE1-003ZG	PANEL COMP., CONTROL *R280 *	1	
005	31700-124-008	RECTIFIER ASSY., SILICON (SHINDENGEN)	1	
006	32127-738-700	SUSPENSION, COUPLER	1	
007	32197-ZE1-003	HARNESS, SUB WIRE	1	
008	32902-892-003	BAND	1	
009	34150-ZH7-003	ALERT UNIT, OIL	1	

<u>Ref</u>	<u>Partnumber</u>	<u>Description</u>	<u>GX160U1</u>	<u>Serial Numbers</u>
009	34150-ZH7-003	ALERT UNIT, OIL	1	1147057
009	34150-ZH7-013	ALERT UNIT, OIL	1	1147058
009	34150-ZH7-013	ALERT UNIT, OIL	1	1147058
010	35100-ZE1-812	SWITCH ASSY., COMBINATION	1	
011	35111-880-013	KEY COMP. (HONDA LOCK)	2	
012	38240-VA3-900	PROTECTOR, CIRCUIT (1.0A)	1	
013	38250-ZA8-701	LENS ASSY., PROTECTOR	1	
014	87529-Z4T-840	MARK, CONTROL BOX (EXTERNAL)	1	
014	87529-Z4T-840	MARK, CONTROL BOX (EXTERNAL)	1	
015	90380-MA6-010	SCREW, SPECIAL, 6X12	1	
016	90630-751-000	CLIP, PURSE LOCK	1	
017	90682-ZE1-000	CLIP, CORD	2	
018	90690-SA0-003	STRAP, WIRE HARNESS, 25MM (BLACK)	1	
019	91406-ZE2-003	TUBE, FASTENER, 30MM	1	
020	93500-030120H	SCREW, PAN, 3X12	2	
021	93500-040120H	SCREW, PAN, 4X12	1	
022	94001-043900S	NUT, HEX., 4MM	2	
023	94101-04800	WASHER, PLAIN, 4MM	1	
024	94111-04800	WASHER, SPRING, 4MM	1	
025	95701-0601000	BOLT, FLANGE, 6X10	1	
026	98200-30500	FUSE, BLADE (5A)	1	

GX160U1(OXE8)

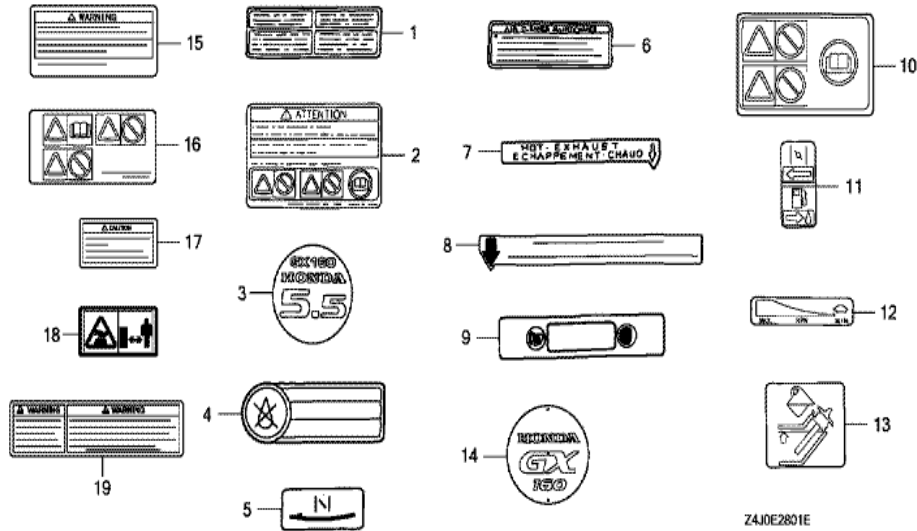
E-28 LABEL (1)



Ref	Partnumber	Description	GX160U1	Serial Numbers
001	87135-ZE2-020	LABEL, E-SPEC (15.5X27.5)	1	1009472
004	87521-ZH8-030	EMBLEM (GX160 5.5)	1	1120413
006	87528-ZH7-000	MARK, CHOKE (GRAY)	1	
007	87532-ZH7-000	MARK, THROTTLE INDICATION	1	
013	87516-ZH7-000	MARK, OPERATOR CAUTION (ENGLISH) (MADE I	1	
013	87516-ZH7-000	MARK, OPERATOR CAUTION (ENGLISH) (MADE I	1	1253961
013	87516-ZH7-010	MARK, OPERATOR CAUTION (ENGLISH) (MADE I	1	1253962
013	87516-ZH7-010	MARK, OPERATOR CAUTION (ENGLISH) (MADE I	1	1253962
013	87516-ZH7-810	MARK, OPERATOR CAUTION (PICTOGRAPH) (MAD	(1)	1253961
013	87516-ZH7-810	MARK, OPERATOR CAUTION (PICTOGRAPH) (MAD	(1)	1253961
014	87521-ZH8-040	EMBLEM (GX160)	1	
014	87521-ZH8-040	EMBLEM (GX160)	1	1120414
015	87539-ZOJ-000	MARK, EX. CAUTION (ENGLISH)	1	1253962

GX160U1(QXE8)

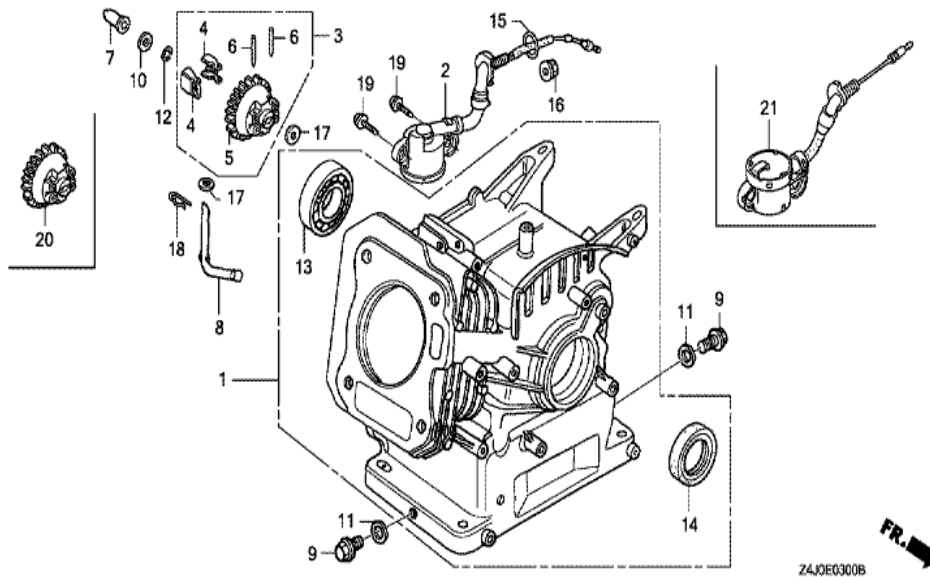
E-28-1 LABEL (2)



Ref	Partnumber	Description	GX160U1	Serial Numbers
002	87516-ZH7-800	MARK, OPERATOR CAUTION (FRENCH) (MADE IN	1	1253961
002	87516-ZH7-800	MARK, OPERATOR CAUTION (FRENCH) (MADE IN	1	1253961
015	87516-ZH7-801	MARK, OPERATOR CAUTION (FRENCH) (MADE IN	1	1253962
015	87516-ZH7-801	MARK, OPERATOR CAUTION (FRENCH) (MADE IN	1	1253962
016	87519-ZH7-000	MARK, OPERATOR CAUTION (PICTOGRAPH)	1	
016	87519-ZH7-000	MARK, OPERATOR CAUTION (PICTOGRAPH)	1	1253962
017	87539-ZOJ-810	MARK, EX. CAUTION (FRENCH)	1	1253962
017	87539-ZOJ-810	MARK, EX. CAUTION (FRENCH)	1	1253962
018	87539-ZOJ-800	MARK, EX. CAUTION (PICTOGRAPH)	1	
018	87539-ZOJ-800	MARK, EX. CAUTION (PICTOGRAPH)	1	1253962

GX160U1(QXE8)

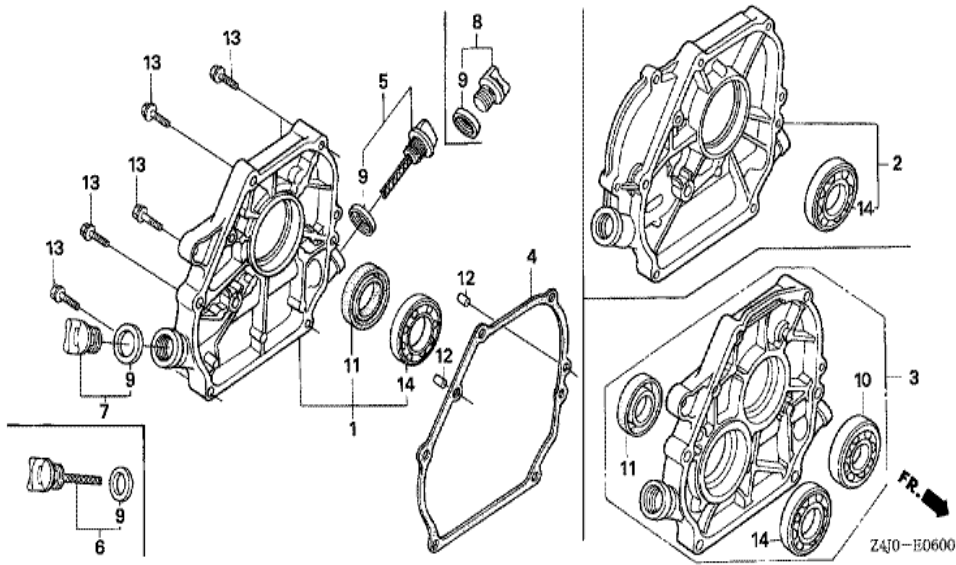
E-3 CYLINDER BARREL



Ref	Partnumber	Description	GX160U1	Serial Numbers
001	12000-ZH8-426	BARREL ASSY., CYLINDER (OIL ALERT)	1	
001	12000-ZH8-426	BARREL ASSY., CYLINDER (OIL ALERT)	1	
002	15510-ZE1-033	SWITCH ASSY., OIL LEVEL	1	
002	15510-ZE1-033	SWITCH ASSY., OIL LEVEL	1	1145270
002	15510-ZE1-043	SWITCH ASSY., OIL LEVEL	1	1145271 1223425
002	15510-ZE1-043	SWITCH ASSY., OIL LEVEL	1	1145271 1223425
003	16510-ZE1-000	GOVERNOR ASSY.	1	
004	16511-ZE1-000	WEIGHT, GOVERNOR	2	
005	16512-ZE1-000	HOLDER, GOVERNOR WEIGHT	1	
006	16513-ZE1-000	PIN, GOVERNOR WEIGHT	2	
007	16531-ZE1-000	SLIDER, GOVERNOR	1	
008	16541-ZE1-000	SHAFT, GOVERNOR ARM	1	
009	90131-ZE1-000	BOLT, DRAIN PLUG	2	
Ref	Partnumber	Description	GX160U1	Serial Numbers
010	90451-ZE1-000	WASHER, THRUST, 6MM	1	
011	90601-ZE1-000	WASHER, DRAIN PLUG, 10.2MM	2	
012	90602-ZE1-000	CLIP, GOVERNOR HOLDER	1	
013	91001-Z1T-003	BEARING, RADIAL BALL, 6205 (NSK)	1	
013	91001-ZF1-003	BEARING, RADIAL BALL (6205TMB) (NTN)	1	
013	91001-ZF1-003	BEARING, RADIAL BALL (6205TMB) (NTN)	1	
013	91001-ZF1-004	BEARING, RADIAL BALL (6205SH) (KOYO)	1	
013	91001-ZF1-004	BEARING, RADIAL BALL (6205SH) (KOYO)	1	
014	91201-Z0T-801	OIL SEAL, 25X41X6 (NOK)	1	
015	91353-671-004	O-RING, 14MM (NOK)	1	
016	94050-10000	NUT, FLANGE, 10MM	1	
017	94101-06800	WASHER, PLAIN, 6MM	2	
018	94251-08000	PIN, LOCK, 8MM	1	
019	95701-0601200	BOLT, FLANGE, 6X12	2	
021	35480-Z0T-003	SWITCH ASSY., OIL LEVEL	1	
021	35480-Z0T-003	SWITCH ASSY., OIL LEVEL	1	1223426

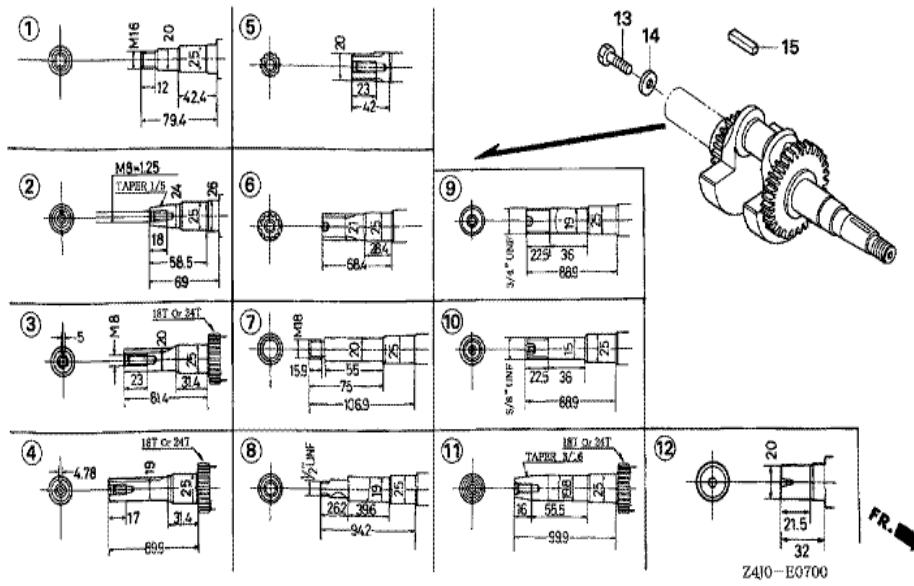
GX160U1(QXE8)

E-6 CRANKCASE COVER (1)



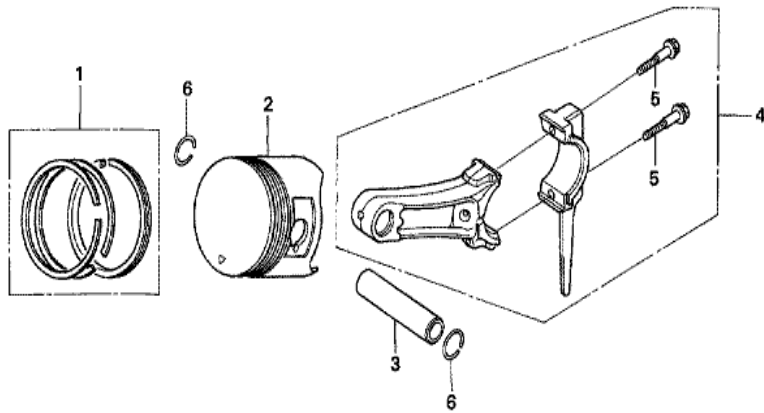
Ref	Partnumber	Description	GX160U1	Serial Numbers
001	11300-ZE1-642	COVER ASSY., CRANKCASE	1	
001	11300-ZE1-642	COVER ASSY., CRANKCASE	1	
004	11381-ZH8-801	PACKING, CASE COVER (NON ASBESTOS)	1	
005	15600-ZE1-003	CAP ASSY., OIL FILLER (GRAY)	1	
007	15600-ZG4-003	CAP ASSY., OIL FILLER	1	
009	15625-ZE1-003	PACKING, OIL FILLER CAP	2	
011	91201-ZOT-801	OIL SEAL, 25X41X6 (NOK)	1	
012	94301-08140	DOWEL PIN, 8X14	2	
013	95701-0803200	BOLT, FLANGE, 8X32	6	
014	96100-6205000	BEARING, RADIAL BALL, 6205	1	

GX160U1(QXE8)	E-7 CRANKSHAFT
---------------	----------------



Ref	Partnumber	Description	GX160U1	Serial Numbers
004	13310-ZE1-601	CRANKSHAFT COMP.	1	
004	13310-ZE1-601	CRANKSHAFT COMP.	1	
015	90745-ZE1-600	KEY, 4.78X4.78X38	1	
015	90745-ZE1-600	KEY, 4.78X4.78X38	1	

GX160U1(QXE8)	E-8 PISTON
---------------	------------



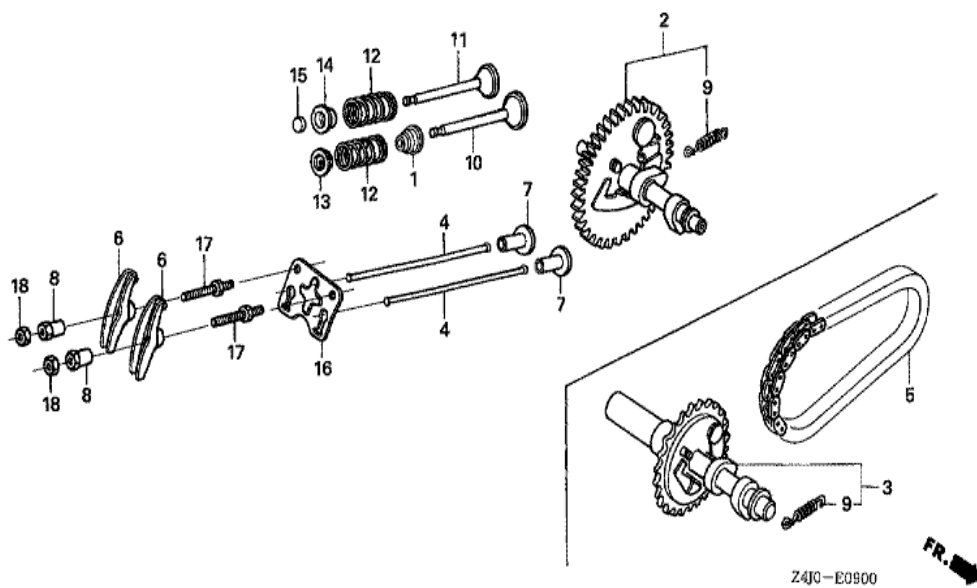
Z4J0-E0800



Ref	Partnumber	Description	GX160U1	Serial Numbers
001	13010-Z4K-004	RING SET, PISTON (STD.) (TPR)	1	1120414
001	13010-ZL0-003	RING SET, PISTON (STD.) (TEIKOKU)	1	1120413
001	13010-ZL0-003	RING SET, PISTON (STD.) (TEIKOKU)	1	1120413
001	13010-ZL0-004	RING SET, PISTON (STD.) (NIPPON)	1	1120413
001	13010-ZL0-004	RING SET, PISTON (STD.) (NIPPON)	1	1120413
001	13011-Z4K-004	RING SET, PISTON (0.25) (TPR)	(1)	1120414
001	13011-Z4K-004	RING SET, PISTON (0.25) (TPR)	(1)	1120414
001	13011-ZL0-003	RING SET, PISTON (0.25) (TEIKOKU)	(1)	1120413
001	13011-ZL0-003	RING SET, PISTON (0.25) (TEIKOKU)	(1)	1120413
001	13011-ZL0-004	RING SET, PISTON (0.25) (NIPPON)	(1)	1120413
001	13011-ZL0-004	RING SET, PISTON (0.25) (NIPPON)	(1)	1120413
001	13012-Z4K-004	RING SET, PISTON (0.50) (TPR)	(1)	1120414
001	13012-Z4K-004	RING SET, PISTON (0.50) (TPR)	(1)	1120414

<u>Ref</u>	<u>Partnumber</u>	<u>Description</u>	<u>GX160U1</u>	<u>Serial Numbers</u>
001	13012-ZL0-003	RING SET, PISTON (0.50) (TEIKOKU)	(1)	1120413
001	13012-ZL0-003	RING SET, PISTON (0.50) (TEIKOKU)	(1)	1120413
001	13012-ZL0-004	RING SET, PISTON (0.50) (NIPPON)	(1)	
001	13012-ZL0-004	RING SET, PISTON (0.50) (NIPPON)	(1)	1120413
001	13013-Z4K-004	RING SET, PISTON (0.75) (TPR)	(1)	1120414
001	13013-Z4K-004	RING SET, PISTON (0.75) (TPR)	(1)	1120414
001	13013-ZL0-003	RING SET, PISTON (0.75) (TEIKOKU)	(1)	1120413
001	13013-ZL0-003	RING SET, PISTON (0.75) (TEIKOKU)	(1)	1120413
001	13013-ZL0-004	RING SET, PISTON (0.75) (NIPPON)	(1)	1120413
001	13013-ZL0-004	RING SET, PISTON (0.75) (NIPPON)	(1)	1120413
002	13101-ZH8-010	PISTON (STD.)	1	
002	13101-ZH8-010	PISTON (STD.)	1	1120413
002	13101-ZH8-020	PISTON (STD.)	1	1120414
002	13101-ZH8-020	PISTON (STD.)	1	1120414
002	13102-ZH8-010	PISTON (0.25)	(1)	1120413
002	13102-ZH8-010	PISTON (0.25)	(1)	1120413
002	13102-ZH8-020	PISTON (0.25)	(1)	1120414
002	13102-ZH8-020	PISTON (0.25)	(1)	1120414
002	13103-ZH8-010	PISTON (0.50)	(1)	1120413
002	13103-ZH8-010	PISTON (0.50)	(1)	1120413
002	13103-ZH8-020	PISTON (0.50)	(1)	1120414
002	13103-ZH8-020	PISTON (0.50)	(1)	1120414
002	13104-ZH8-010	PISTON (0.75)	(1)	
002	13104-ZH8-010	PISTON (0.75)	(1)	1120413
002	13104-ZH8-020	PISTON (0.75)	(1)	1120414
002	13104-ZH8-020	PISTON (0.75)	(1)	1120414
003	13111-ZE1-000	PIN, PISTON	1	
004	13200-ZE1-010	ROD ASSY., CONNECTING (STD.)	1	
005	90001-ZE1-000	BOLT, CONNECTING ROD	2	
006	90551-ZE1-000	CLIP, PISTON PIN, 18MM	2	

GX160U1(QXE8)	E-9 CAMSHAFT
---------------	--------------



Ref	Partnumber	Description	GX160U1	Serial Numbers
001	12209-ZH8-003	SEAL, VALVE STEM	1	
002	14100-ZE1-812	CAMSHAFT ASSY.	1	
002	14100-ZE1-812	CAMSHAFT ASSY.	1	
004	14410-ZE1-010	ROD, PUSH	2	
006	14431-ZE1-000	ARM, VALVE ROCKER	2	
007	14441-ZE1-010	LIFTER, VALVE	2	
008	14451-ZE1-013	PIVOT, ROCKER ARM	2	
009	14568-ZE1-000	SPRING, WEIGHT RETURN	1	
010	14711-ZF1-000	VALVE, IN.	1	
011	14721-ZF1-000	VALVE, EX.	1	
012	14751-ZF1-000	SPRING, VALVE	2	
013	14771-ZE1-000	RETAINER, IN. VALVE SPRING	1	
014	14773-ZE1-000	RETAINER, EX. VALVE SPRING	1	
Ref	Partnumber	Description	GX160U1	Serial Numbers
015	14781-ZE1-000	ROTATOR, VALVE	1	
016	14791-ZE1-010	PLATE, PUSH ROD GUIDE	1	
017	90012-ZE0-010	BOLT, PIVOT, 8MM	2	
018	90206-ZE1-000	NUT, PIVOT ADJUSTING	2	