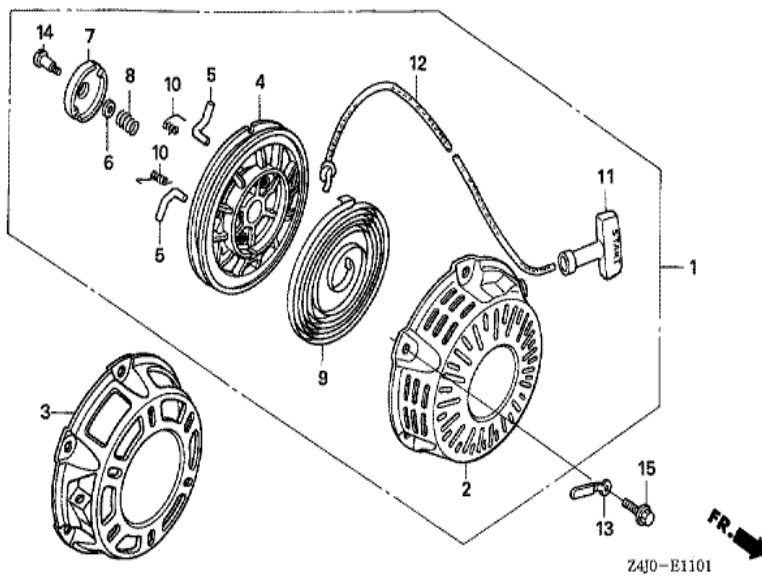


GX160U1(QFE4)	E-11-1 RECOIL STARTER (2)
---------------	---------------------------

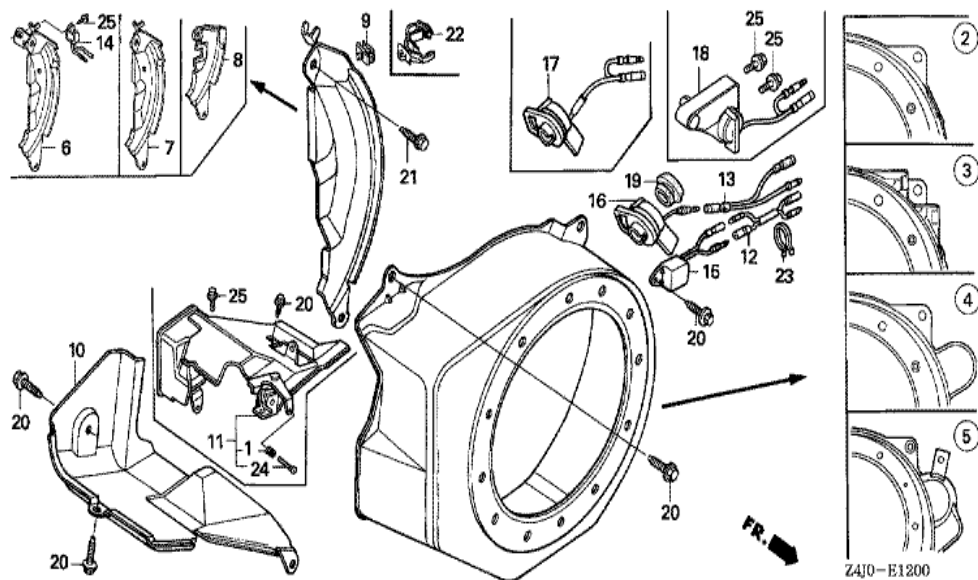


Z4J0-E1101

<u>Ref</u>	<u>Partnumber</u>	<u>Description</u>	<u>GX160U1</u>	<u>Serial Numbers</u>
001	28400-ZH8-023YA	STARTER ASSY., RECOIL *R280 *	1	
001	28400-ZH8-023ZB	STARTER ASSY., RECOIL *NH1 *	1	
001	28400-ZH8-023ZB	STARTER ASSY., RECOIL *NH1 *	1	
002	28410-ZH8-003YA	CASE COMP., RECOIL STARTER *R280 *	1	
002	28410-ZH8-003ZB	CASE COMP., RECOIL STARTER *NH1 *	1	
002	28410-ZH8-003ZB	CASE COMP., RECOIL STARTER *NH1 *	1	
004	28421-ZH8-801	REEL, RECOIL STARTER (BLACK)	1	
005	28422-ZH8-801	RATCHET, STARTER	2	
006	28431-ZH8-801	PLATE, FRICTION	1	
007	28433-ZH8-801	GUIDE, RATCHET	1	
008	28441-ZH8-801	SPRING, FRICTION	1	
009	28442-ZH8-003	SPRING, RECOIL STARTER	1	
010	28443-ZH8-801	SPRING, RETURN	2	
<u>Ref</u>	<u>Partnumber</u>	<u>Description</u>	<u>GX160U1</u>	<u>Serial Numbers</u>
011	28461-ZH8-003	GRIP, STARTER	1	
012	28462-ZH8-003	ROPE, RECOIL STARTER	1	
014	90003-ZH8-801	SCREW, SETTING	1	
015	90008-ZE2-003	BOLT, FLANGE, 6X10	3	

GX160U1 (QFE4)

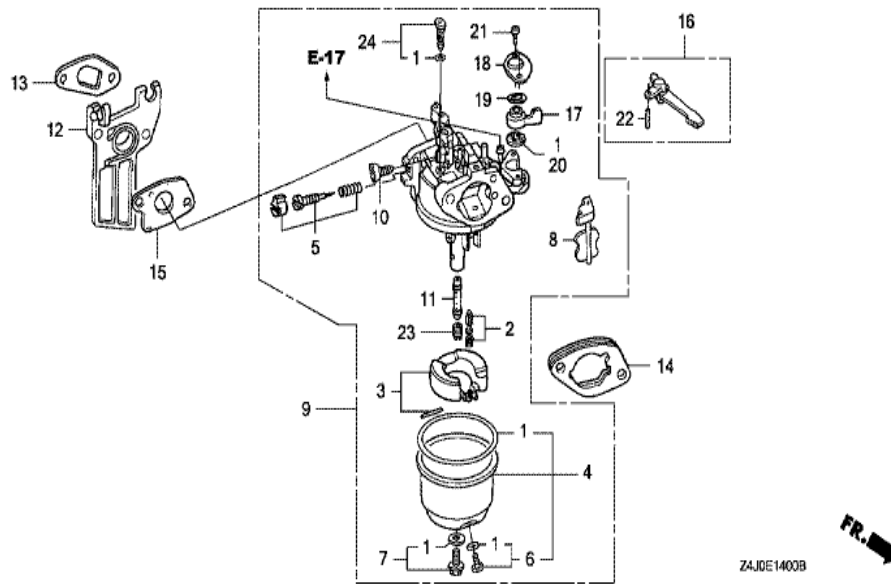
E-12 FAN COVER



Ref	Partnumber	Description	GX160U1	Serial Numbers
002	19610-ZE1-000ZC	COVER COMP., FAN *NH1 *	1	1120542
002	19610-ZE1-000ZC	COVER COMP., FAN *NH1 *	1	1120542
002	19610-ZE1-000ZP	COVER COMP., FAN *R280 *	1	1120542
002	19610-ZE1-000ZP	COVER COMP., FAN *R280 *	1	1120542
002	19610-ZE1-010ZC	COVER COMP., FAN *NH1 *	1	1120543
002	19610-ZE1-010ZC	COVER COMP., FAN *NH1 *	1	1120543
002	19610-ZE1-010ZP	COVER COMP., FAN *R280 *	1	1120543
002	19610-ZE1-010ZP	COVER COMP., FAN *R280 *	1	1120543
007	19612-ZH8-000	PLATE, SIDE (STD.)	1	
010	19630-ZH8-000	SHROUD COMP.	1	
010	19630-ZH8-000	SHROUD COMP.	1	
016	35120-ZOD-V81	SWITCH ASSY., ENGINE STOP	1	
020	90013-883-000	BOLT, FLANGE, 6X12 (CT200)	4	
<u>Ref</u>	<u>Partnumber</u>	<u>Description</u>	<u>GX160U1</u>	<u>Serial Numbers</u>
020	90013-883-000	BOLT, FLANGE, 6X12 (CT200)	6	
021	90022-888-010	BOLT, FLANGE, 6X20 (CT200)	1	

GX160U1(QFE4)

E-14 CARBURETOR (1)



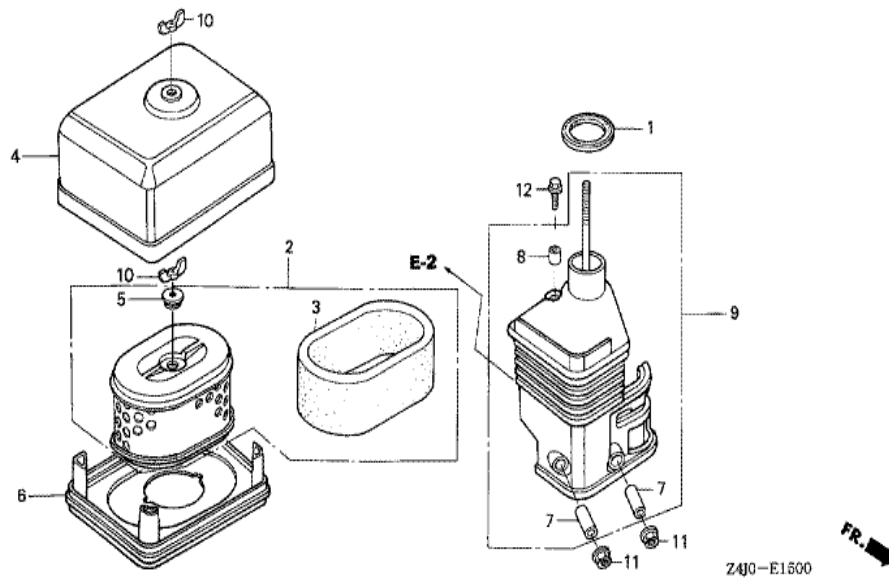
Z4J0E1400B



<u>Ref</u>	<u>Partnumber</u>	<u>Description</u>	<u>GX160U1</u>	<u>Serial Numbers</u>
001	16010-ZE0-025	GASKET SET	1	
002	16011-ZE0-005	VALVE SET, FLOAT	1	
003	16013-ZE0-005	FLOAT SET	1	
004	16015-ZE0-831	CHAMBER SET, FLOAT	1	
005	16016-ZH7-W01	SCREW SET, PILOT	1	
006	16024-ZE1-811	SCREW SET, DRAIN	1	
007	16028-ZE0-005	SCREW SET	1	
008	16044-ZE0-005	CHOKE SET	1	
009	16100-ZH8-W41	CARBURETOR ASSY. (BE66D B)	1	
010	16124-ZE0-005	SCREW, THROTTLE STOP	1	
011	16166-ZH8-W50	NOZZLE, MAIN	1	
012	16211-ZE1-000	INSULATOR, CARBURETOR	1	
013	16212-ZH8-800	PACKING, INSULATOR	1	
<u>Ref</u>	<u>Partnumber</u>	<u>Description</u>	<u>GX160U1</u>	<u>Serial Numbers</u>
014	16220-ZE1-020	SPACER COMP., CARBURETOR	1	
015	16221-ZH8-801	PACKING, CARBURETOR	1	
016	16610-ZE1-000	LEVER COMP., CHOKE (STD.)	1	
017	16953-ZE1-812	LEVER, COCK	1	
018	16954-ZE1-812	PLATE, LEVER SETTING	1	
019	16956-ZE1-811	SPRING, COCK LEVER	1	
020	16957-ZE1-812	PACKING, FUEL COCK	1	
021	93500-030061H	SCREW, PAN, 3X6	2	
022	94305-20122	PIN, SPRING, 2X12	1	
023	99101-ZH80650	JET, MAIN, #65	(1)	
023	99101-ZH80680	JET, MAIN, #68	(1)	
023	99101-ZH80680	JET, MAIN, #68	(1)	
023	99101-ZH80700	JET, MAIN, #70	1	
023	99101-ZH80700	JET, MAIN, #70	1	
024	99204-ZE00350	JET SET, PILOT, #35	1	

GX160U1 (QFE4)

E-15 AIR CLEANER (1)



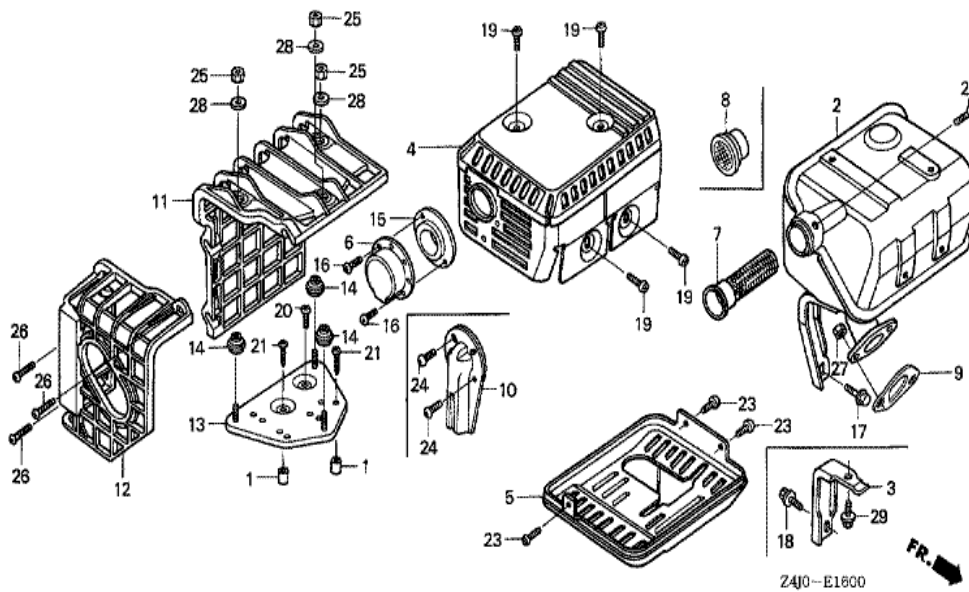
Z4J0-E1600

FR. →

Ref	Partnumber	Description	GX160U1	Serial Numbers
001	16271-ZE1-000	PACKING, ELBOW	1	
002	17210-ZE1-822	ELEMENT, AIR CLEANER (DUAL)	1	
003	17218-ZE1-821	FILTER, OUTER	1	
004	17230-ZE1-820	COVER, AIR CLEANER (DUAL)	1	
005	17232-891-000	GROMMET, AIR CLEANER	1	
006	17235-ZE1-831	NOSE, SILENCER	1	
007	17238-ZE7-010	COLLAR, AIR CLEANER	2	
008	17239-ZE1-000	COLLAR B, AIR CLEANER	1	
009	17410-ZE1-020	ELBOW COMP., AIR CLEANER	1	
010	90325-044-000	NUT, TOOL BOX SETTING	2	
011	94050-06000	NUT, FLANGE, 6MM	2	
012	95701-0602000	BOLT, FLANGE, 6X20	1	

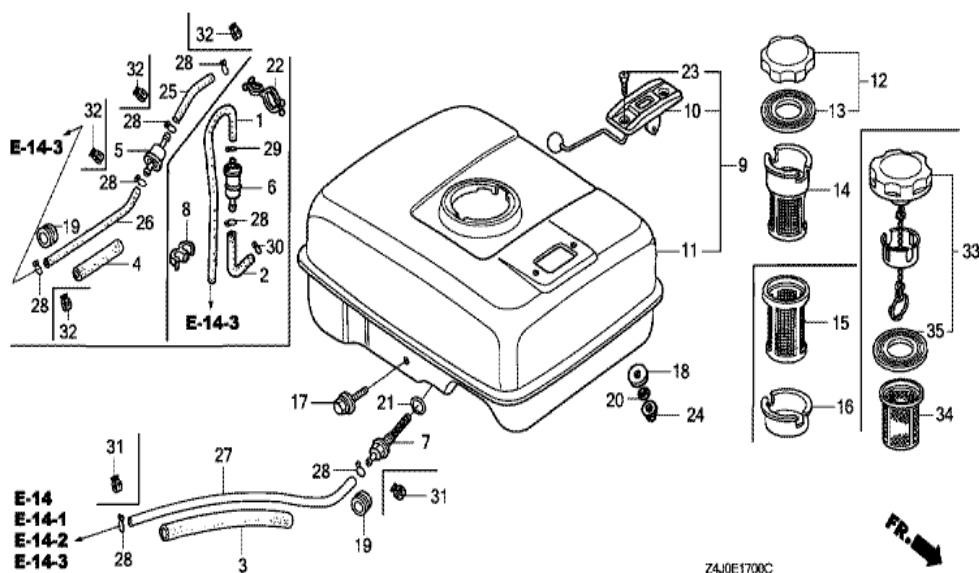
GX160U1(QFE4)

E-16 MUFFLER (1)



<u>Ref</u>	<u>Partnumber</u>	<u>Description</u>	<u>GX160U1</u>	<u>Serial Numbers</u>
001	17233-896-701	COLLAR, AIR CLEANER CASE	(2)	
002	18310-ZE1-821	MUFFLER COMP. (SILENT)	1	
002	18310-ZE1-821	MUFFLER COMP. (SILENT)	1	
002	18310-ZH8-810	MUFFLER COMP. (ARRESTER)	(1)	
002	18310-ZH8-810	MUFFLER COMP. (ARRESTER)	(1)	
003	18315-ZE1-000	STAY, MUFFLER	1	
004	18320-ZF1-H51	PROTECTOR, MUFFLER (SILENT)	1	
004	18320-ZF1-H51	PROTECTOR, MUFFLER (SILENT)	1	
007	18355-ZE1-000	ARRESTER, SPARK	1	
007	18355-ZE1-000	ARRESTER, SPARK	(1)	
007	18355-ZE1-810	ARRESTER, SPARK (SILENT)	1	
007	18355-ZE1-810	ARRESTER, SPARK (SILENT)	1	
009	18381-ZH8-800	GASKET, MUFFLER	1	
<u>Ref</u>	<u>Partnumber</u>	<u>Description</u>	<u>GX160U1</u>	<u>Serial Numbers</u>
011	18433-ZH8-W40	COVER COMP., MUFFLER	(1)	
012	18434-ZH8-W40	COVER COMP., RR. MUFFLER	(1)	
013	18436-ZH8-W40	BASE COMP., MUFFLER COVER	(1)	
014	18466-ZH8-W40	SPACER, MUFFLER COVER	(3)	
018	90016-ZE1-000	BOLT, FLANGE, 6X13 (CT200)	1	
019	90050-ZE1-000	SCREW, TAPPING, 5X8	4	
020	90050-ZE1-000	SCREW, TAPPING, 5X8	(1)	
021	90050-ZH8-W40	SCREW, TAPPING, 5X25	(2)	
022	90055-ZE1-000	SCREW, TAPPING, 4X6	1	
022	90055-ZE1-000	SCREW, TAPPING, 4X6	(1)	
022	90056-ZL0-000	SCREW, TAPPING, 4X6	1	
022	90056-ZL0-000	SCREW, TAPPING, 4X6	1	
025	90302-KF9-900	NUT, HEX., 5MM	(3)	
026	93891-0602007	SCREW-WASHER, 6X20	(3)	
027	94001-080000S	NUT, HEX., 8MM	2	
028	94103-05700	WASHER, PLAIN, 5MM	(3)	
029	95701-0601200	BOLT, FLANGE, 6X12	1	

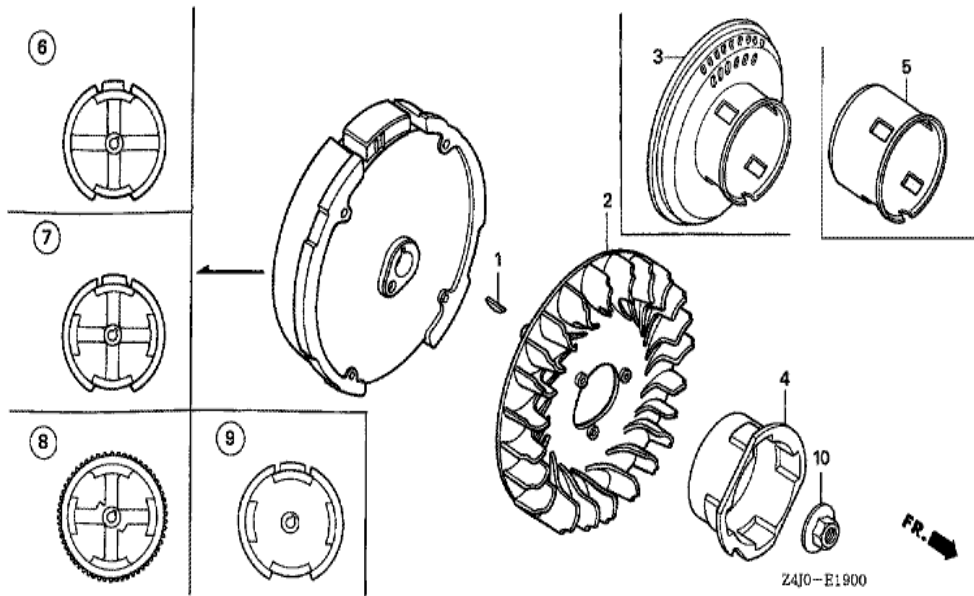
GX160U1(QFE4)	E-17 FUEL TANK (1)
---------------	--------------------



Z4J0E1700C

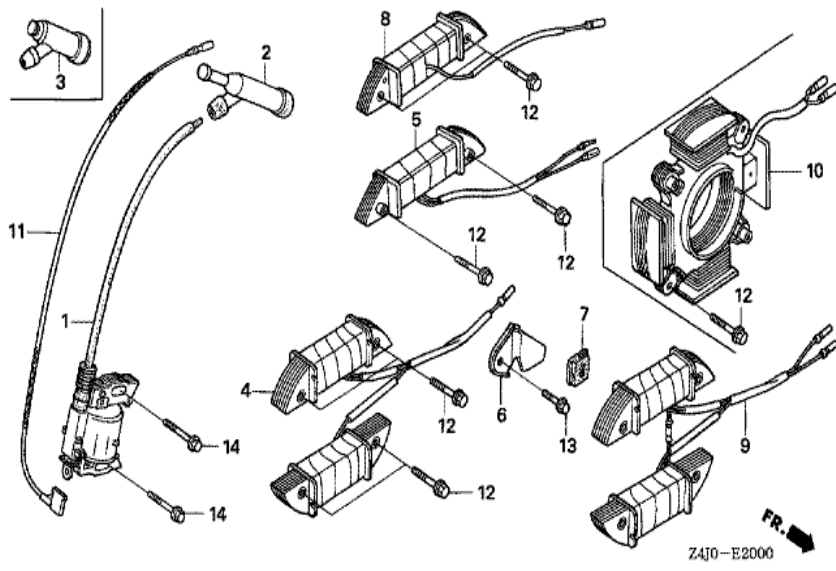
Ref	Partnumber	Description	GX160U1	Serial Numbers
003	16854-ZH8-000	RUBBER, SUPPORTER (107MM)	1	
007	16955-ZE1-000	JOINT, FUEL TANK	1	
011	17510-ZE1-020ZA	TANK COMP., FUEL *NH31 *	1	
011	17510-ZE1-020ZA	TANK COMP., FUEL *NH31 *	1	1137417
011	17510-ZE1-020ZF	TANK COMP., FUEL *NH1 *	1	1137417
011	17510-ZE1-020ZF	TANK COMP., FUEL *NH1 *	1	1137417
011	17510-ZE1-030ZA	TANK COMP., FUEL *NH31 *	1	1137418
011	17510-ZE1-030ZA	TANK COMP., FUEL *NH31 *	1	1137418
011	17510-ZE1-030ZF	TANK COMP., FUEL *NH1 *	1	1137418
011	17510-ZE1-030ZF	TANK COMP., FUEL *NH1 *	1	1137418
012	17620-Z0T-305	CAP COMP., FUEL FILLER (CHROME PLATED)	1	1125014
013	17631-Z0T-812	PACKING, FUEL FILLER CAP (39X62X3) (TOUY	1	1125014
017	90004-ZH7-003	BOLT, FLANGE, 6X29	1	
<u>Ref</u>	<u>Partnumber</u>	<u>Description</u>	<u>GX160U1</u>	<u>Serial Numbers</u>
021	91353-671-004	O-RING, 14MM (NOK)	1	
024	94050-06000	NUT, FLANGE, 6MM	2	
027	91424-Z4F-801	TUBE, FUEL, 4.5X140 (FKM)	1	1031488
027	95001-4514040	TUBE, FUEL, 4.5X140 (95001-45001-60M)	1	1031487
027	95001-4514040	TUBE, FUEL, 4.5X140 (95001-45001-60M)	1	1031487
028	95002-02080	CLIP, TUBE (B8)	1	
028	95002-02080	CLIP, TUBE (B8)	2	1031487
031	95002-4080008	CLAMP, TUBE (D8)	2	
031	95002-4080008	CLAMP, TUBE (D8)	2	1031488
033	17620-Z4H-000	CAP COMP., FUEL FILLER (CHROME PLATED)	1	1125015
035	17631-Z0T-801	PACKING, FUEL FILLER CAP (39X62X3) (RADI	1	
035	17631-Z0T-801	PACKING, FUEL FILLER CAP (39X62X3) (RADI	1	1125015

GX160U1(QFE4)	E-19 FLYWHEEL
---------------	---------------



Ref	Partnumber	Description	GX160U1	Serial Numbers
001	13331-357-000	KEY, SPECIAL WOODRUFF, 25X18	1	
002	19511-ZE1-000	FAN, COOLING	1	
003	28450-ZH8-801	PULLEY COMP., STARTER	1	
006	31100-ZE1-010	FLYWHEEL COMP.	1	
010	90201-878-003	NUT, SPECIAL, 14MM	1	

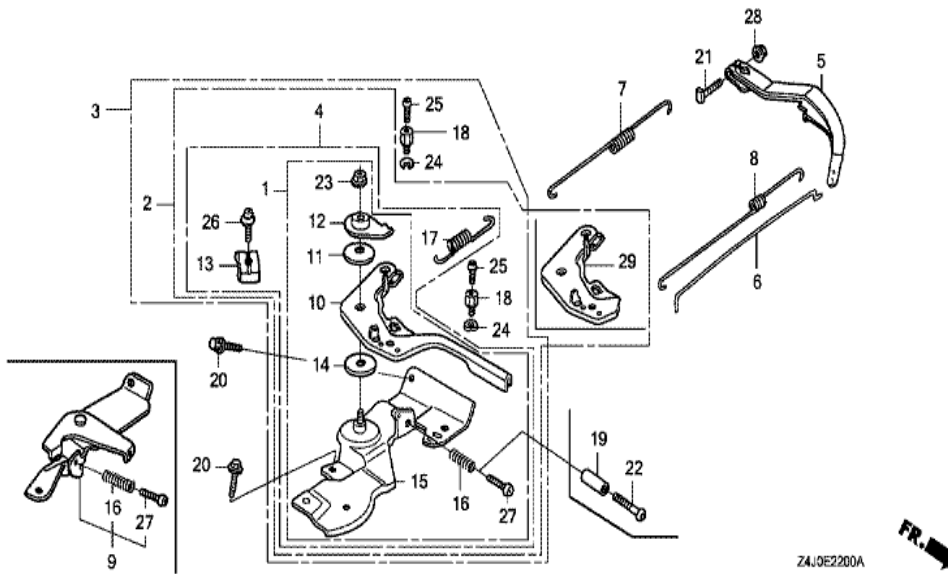
GX160U1(QFE4)	E-20 IGNITION COIL
---------------	--------------------



Ref	Partnumber	Description	GX160U1	Serial Numbers
001	30500-ZE1-063	COIL ASSY., IGNITION	1	
001	30500-ZE1-063	COIL ASSY., IGNITION	1	1141205
001	30500-ZE1-073	COIL ASSY., IGNITION	1	1141206
001	30500-ZE1-073	COIL ASSY., IGNITION	1	1141206
002	30700-ZE1-013	CAP ASSY., NOISE SUPPRESSOR (NICHIIWA Y-E	1	
011	36101-ZE1-010	CORD, STOP SWITCH (370MM)	1	
011	36101-ZE1-010	CORD, STOP SWITCH (370MM)	1	
014	90121-952-000	BOLT, FLANGE, 6X25 (CT200)	2	

GX160U1(QFE4)

E-22 CONTROL



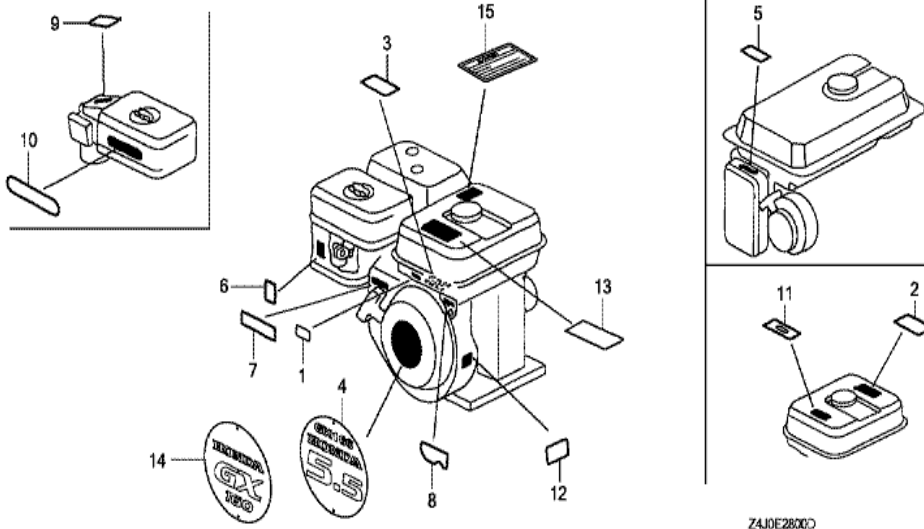
Z4J0E2200A



Ref	Partnumber	Description	GX160U1	Serial Numbers
004	16500-ZH8-823	CONTROL ASSY. (REMOTE)	1	
005	16551-ZE0-010	ARM, GOVERNOR	1	
005	16551-ZE0-010	ARM, GOVERNOR	1	
006	16555-ZE1-000	ROD, GOVERNOR	1	
007	16561-ZE1-020	SPRING, GOVERNOR	1	
008	16562-ZE1-020	SPRING, THROTTLE RETURN	1	
010	16571-ZH8-020	LEVER, CONTROL	1	
011	16574-ZE1-000	SPRING, LEVER	1	
012	16575-ZH8-000	WASHER, CONTROL LEVER	1	
013	16576-891-000	HOLDER, CABLE	1	
014	16578-ZE1-000	SPACER, CONTROL LEVER	1	
015	16580-ZH8-813	BASE COMP., CONTROL (REMOTE)	1	
015	16580-ZH8-813	BASE COMP., CONTROL (REMOTE)	1	
Ref	Partnumber	Description	GX160U1	Serial Numbers
016	16584-883-300	SPRING, CONTROL ADJUSTING	1	
017	16592-ZE1-810	SPRING, CABLE RETURN	1	
019	16599-ZG1-M10	COLLAR, STOPPER	(1)	
020	90013-883-000	BOLT, FLANGE, 6X12 (CT200)	2	
021	90015-ZE5-010	BOLT, GOVERNOR ARM	1	
022	90016-ZG9-N30	SCREW, RECESSED, 5X25	(1)	
023	90114-SA0-000	NUT, SELF-LOCK, 6MM	1	
026	93500-050160A	SCREW, PAN, 5X16	1	
027	93500-050250H	SCREW, PAN, 5X25	1	
027	93500-050250H	SCREW, PAN, 5X25	1	
028	94050-06000	NUT, FLANGE, 6MM	1	

GX160U1(QFE4)

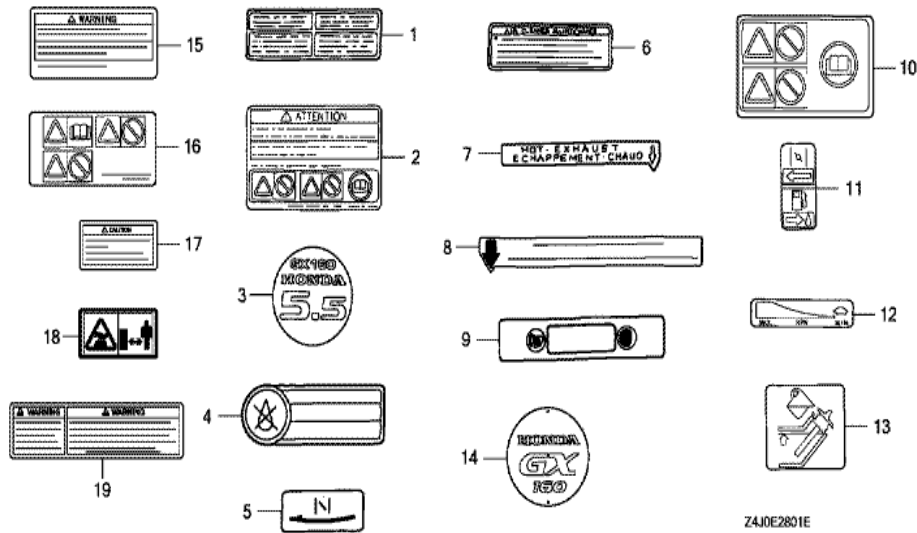
E-28 LABEL (1)



Ref	Partnumber	Description	GX160U1	Serial Numbers
004	87521-ZH8-030	EMBLEM (GX160 5.5)	1	1120413
006	87528-ZH7-000	MARK, CHOKE (GRAY)	1	
007	87532-ZH7-000	MARK, THROTTLE INDICATION	1	
013	87516-ZH7-000	MARK, OPERATOR CAUTION (ENGLISH) (MADE I	1	
013	87516-ZH7-810	MARK, OPERATOR CAUTION (PICTOGRAPH) (MAD	(1)	1253961
013	87516-ZH7-810	MARK, OPERATOR CAUTION (PICTOGRAPH) (MAD	(1)	1253961
014	87521-ZH8-040	EMBLEM (GX160)	1	
014	87521-ZH8-040	EMBLEM (GX160)	1	1120414

GX160U1(QFE4)

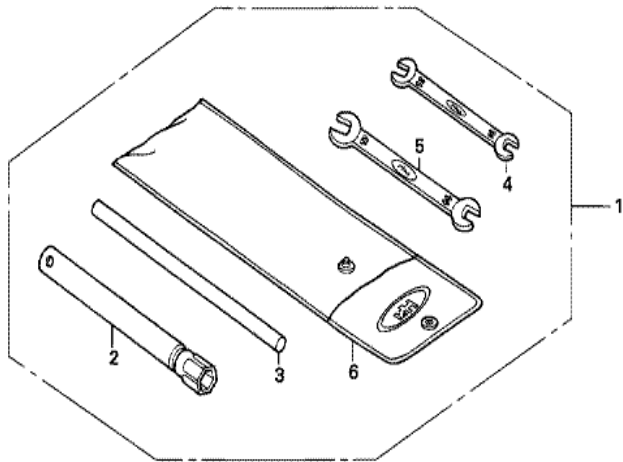
E-28-1 LABEL (2)



Z4J0E2801E

Ref	Partnumber	Description	GX160U1	Serial Numbers
002	87516-ZH7-800	MARK, OPERATOR CAUTION (FRENCH) (MADE IN	1	1253961
002	87516-ZH7-800	MARK, OPERATOR CAUTION (FRENCH) (MADE IN	1	

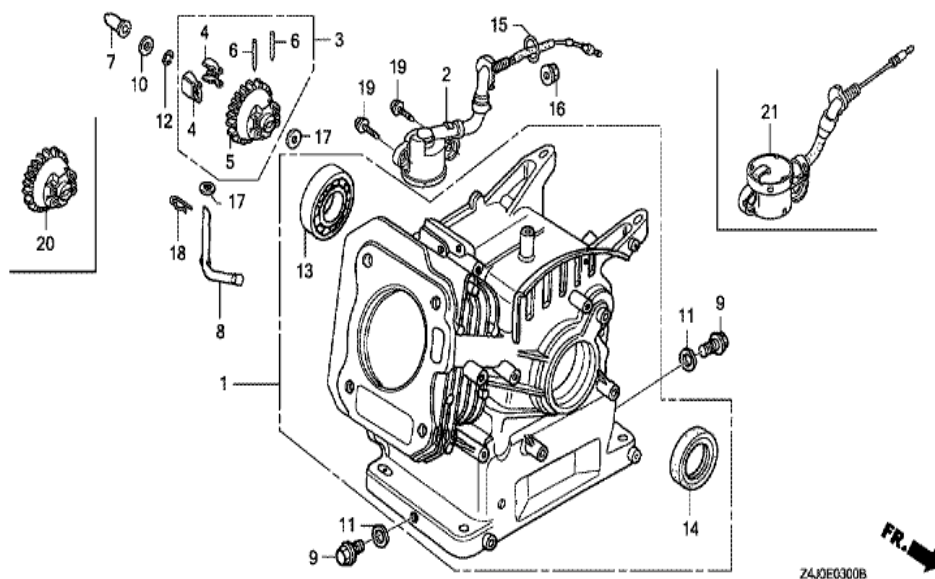
GX160U1(QFE4)	E-29 TOOL
---------------	-----------



Z410-E2900

Ref	Partnumber	Description	GX160U1	Serial Numbers
002	99004-21002	WRENCH, BOX (P21)	1	
002	99004-21002	WRENCH, BOX (P21)	1	
003	99005-01000	BAR A, HANDLE	1	
003	99005-01000	BAR A, HANDLE	1	
006	99008-02000	BAG, TOOL, 200MM	1	

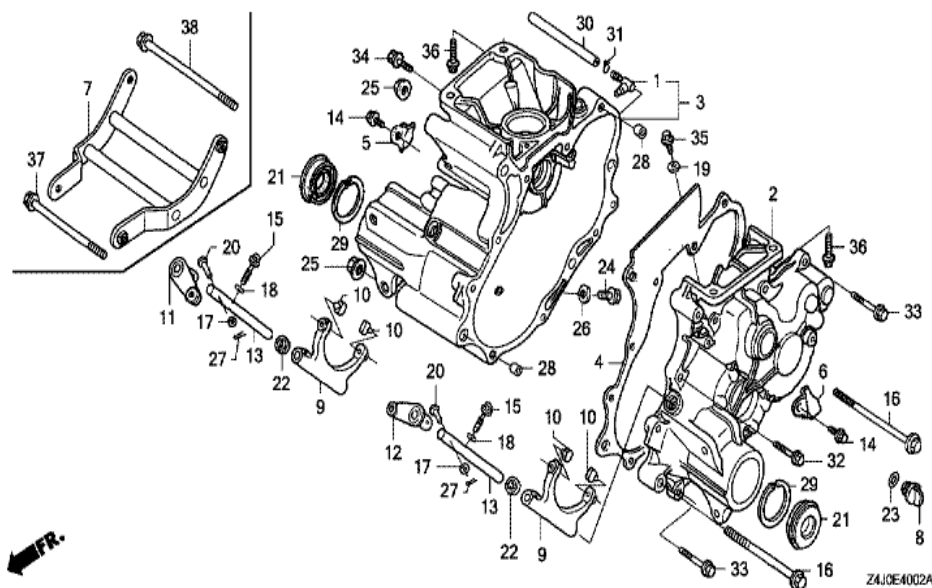
GX160U1(QFE4)	E-3 CYLINDER BARREL
---------------	---------------------



<u>Ref</u>	<u>Partnumber</u>	<u>Description</u>	<u>GX160U1</u>	<u>Serial Numbers</u>
001	12000-ZH8-425	BARREL ASSY., CYLINDER	1	
003	16510-ZE1-000	GOVERNOR ASSY.	1	
004	16511-ZE1-000	WEIGHT, GOVERNOR	2	
005	16512-ZE1-000	HOLDER, GOVERNOR WEIGHT	1	
006	16513-ZE1-000	PIN, GOVERNOR WEIGHT	2	
007	16531-ZE1-000	SLIDER, GOVERNOR	1	
008	16541-ZE1-000	SHAFT, GOVERNOR ARM	1	
009	90131-ZE1-000	BOLT, DRAIN PLUG	2	
010	90451-ZE1-000	WASHER, THRUST, 6MM	1	
011	90601-ZE1-000	WASHER, DRAIN PLUG, 10.2MM	2	
012	90602-ZE1-000	CLIP, GOVERNOR HOLDER	1	
013	91001-ZF1-003	BEARING, RADIAL BALL (6205TMB) (NTN)	1	
013	91001-ZF1-003	BEARING, RADIAL BALL (6205TMB) (NTN)	1	
<u>Ref</u>	<u>Partnumber</u>	<u>Description</u>	<u>GX160U1</u>	<u>Serial Numbers</u>
013	91001-ZF1-004	BEARING, RADIAL BALL (6205SH) (KOYO)	1	
013	91001-ZF1-004	BEARING, RADIAL BALL (6205SH) (KOYO)	1	
014	91201-ZOT-801	OIL SEAL, 25X41X6 (NOK)	1	
017	94101-06800	WASHER, PLAIN, 6MM	2	
018	94251-08000	PIN, LOCK, 8MM	1	

GX160U1(QFE4)

E-40-2 OTHER PARTS (TRANSMISSION CASE)

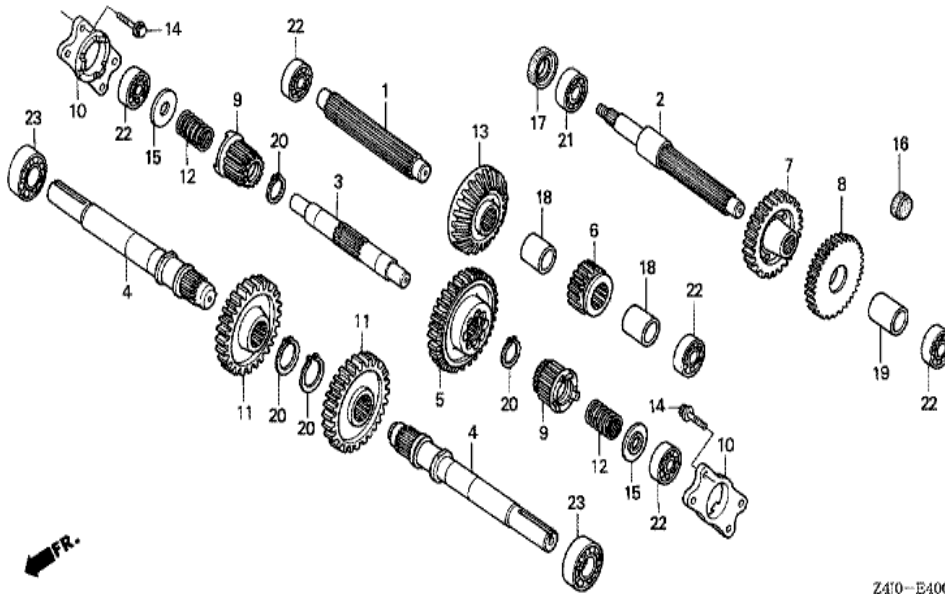


Ref	Partnumber	Description	GX160U1	Serial Numbers
001	11106-GM2-300	JOINT, BREATHER	1	
002	21111-766-000	CASE, R. TRANSMISSION	1	
003	21210-766-000	CASE COMP., L. TRANSMISSION	1	
004	21281-740-020	PACKING, TRANSMISSION CASE	1	
005	21913-740-000	PLATE, R. SIDE CLUTCH	1	
006	21914-740-000	PLATE, L. SIDE CLUTCH	1	
007	21931-766-000	GUARD, MISSION	1	
008	25611-733-000	CAP, OIL	1	
009	40111-740-000	FORK, SIDE CLUTCH	2	
010	40112-740-003	PIN, FORK	4	
011	40310-740-010	ARM COMP., R. SIDE CLUTCH	1	
012	40320-740-010	ARM COMP., L. SIDE CLUTCH	1	
013	40331-740-000	SHAFT, SIDE CLUTCH ARM	2	

<u>Ref</u>	<u>Partnumber</u>	<u>Description</u>	<u>GX160U1</u>	<u>Serial Numbers</u>
014	90013-883-000	BOLT, FLANGE, 6X12 (CT200)	2	
015	90028-634-000	BOLT, SPECIAL,	2	
016	90057-671-000	BOLT, ALTERNATOR	2	
017	90401-752-003	WASHER, 10MM	2	
018	90411-744-000	WASHER, CONICAL SPRING, 6MM	2	
019	90429-PD1-000	WASHER, SEALING, 8MM	1	
020	90752-735-000	PIN, AUXILIARY CHANGE LEVER	2	
021	91206-733-024	WATER SEAL, 25X52X9.5 (NOK)	2	
022	91251-740-003	OIL SEAL (12X18X4.2)	2	
023	91303-800-000	O-RING, 16MM	1	
024	92800-12000	BOLT, DRAIN PLUG, 12MM	1	
025	94050-10000	NUT, FLANGE, 10MM	2	
026	94109-12000	WASHER, DRAIN PLUG, 12MM	1	
027	94201-20120	PIN, SPLIT, 2.0X12	2	
028	94301-08140	DOWEL PIN, 8X14	2	
029	94520-52000	CIRCLIP, INTERNAL, 52MM	2	
030	95001-4515040	TUBE, FUEL, 4.5X150 (95001-45001-60M)	1	
031	95002-02080	CLIP, TUBE (B8)	1	
032	95701-0603200	BOLT, FLANGE, 6X32	5	
033	95701-0604000	BOLT, FLANGE, 6X40	4	
034	95701-0801200	BOLT, FLANGE, 8X12	1	
035	95701-0801600	BOLT, FLANGE, 8X16	1	
036	95701-0803000	BOLT, FLANGE, 8X30	4	
037	95701-1012500	BOLT, FLANGE, 10X125	1	
038	95701-1016000	BOLT, FLANGE, 10X160	1	

GX160U1(QFE4)

E-40-3 OTHER PARTS (TRANSMISSION GEAR)

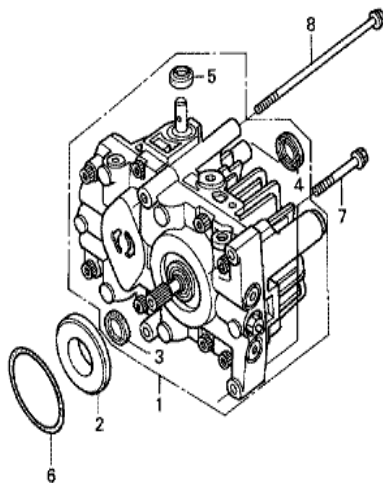


Z410-E4003

<u>Ref</u>	<u>Partnumber</u>	<u>Description</u>	<u>GX160U1</u>	<u>Serial Numbers</u>
001	23112-740-000	SHAFT, INPUT	1	
002	23221-740-000	COUNTERSHAFT	1	
003	23231-740-000	SHAFT, SIDE CLUTCH	1	
004	23371-740-020	SHAFT, WHEEL	2	
005	23407-766-000	GEAR, SIDE CLUTCH DRIVE (49T)	1	
006	23411-740-010	GEAR, INPUT SHAFT CHANGE (19T)	1	
007	23422-740-000	GEAR, COUNTERSHAFT (36T)	1	
008	23431-776-000	GEAR, DRIVEN (42T)	1	
009	23511-740-000	GEAR, SIDE CLUTCH (16T)	2	
010	23521-740-000	CASE, SIDE CLUTCH BEARING	2	
011	23581-740-000	GEAR, FINAL (35T)	2	
012	40181-776-000	SPRING, SIDE CLUTCH	2	
013	41141-740-000	GEAR, DRIVEN BEVEL (25T)	1	
<u>Ref</u>	<u>Partnumber</u>	<u>Description</u>	<u>GX160U1</u>	<u>Serial Numbers</u>
014	90030-PC8-000	BOLT, SPECIAL, 8MM	8	
015	90501-740-010	WASHER, CLUTCH SPRING	2	
016	90871-733-003	PLUG, SEALING, 28 (ARAI)	1	
017	91202-740-003	OIL SEAL, 20X31X7 (ARAI)	1	
018	91551-776-000	COLLAR, (22.3X28.5X37.25)	2	
019	91552-776-000	COLLAR, (22.3X28.5X43)	1	
020	94510-25000	CIRCLIP, EXTERNAL, 25MM	4	
021	96100-6004000	BEARING, RADIAL BALL, 6004	1	
022	96100-6203000	BEARING, RADIAL BALL, 6203	5	
023	96100-6205000	BEARING, RADIAL BALL, 6205	2	

GX160U1(QFE4)

E-40-4 OTHER PARTS (H.S.T.)



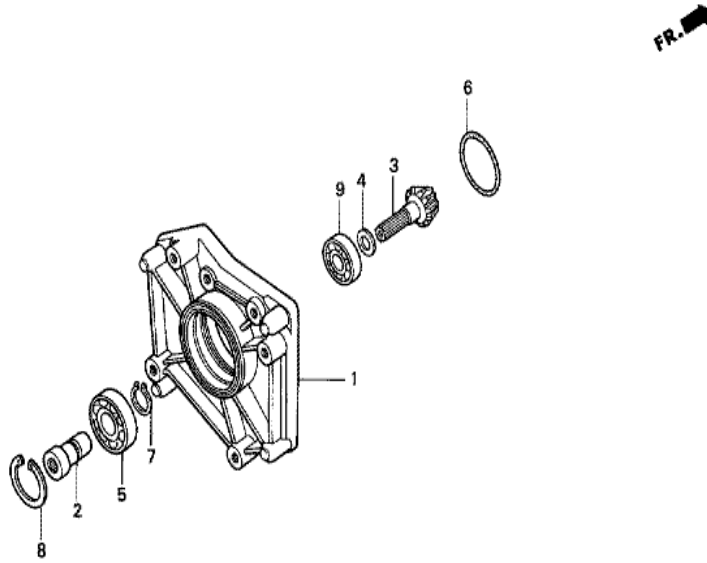
FR.

Z4J0-E4004

Ref	Partnumber	Description	GX160U1	Serial Numbers
001	20005-766-003	H.S.T. ASSY.	1	
002	21178-766-000	BOSS, GUIDE	1	
003	91201-766-003	OIL SEAL,	1	
004	91202-766-003	OIL SEAL, 15X35X7	1	
005	91203-766-003	OIL SEAL,	1	
006	91307-639-000	O-RING, 64X2	1	
007	95701-0804500	BOLT, FLANGE, 8X45	2	
008	95701-0811500	BOLT, FLANGE, 8X115	2	

GX160U1(QFE4)

E-40-5 OTHER PARTS (BEVEL COVER)

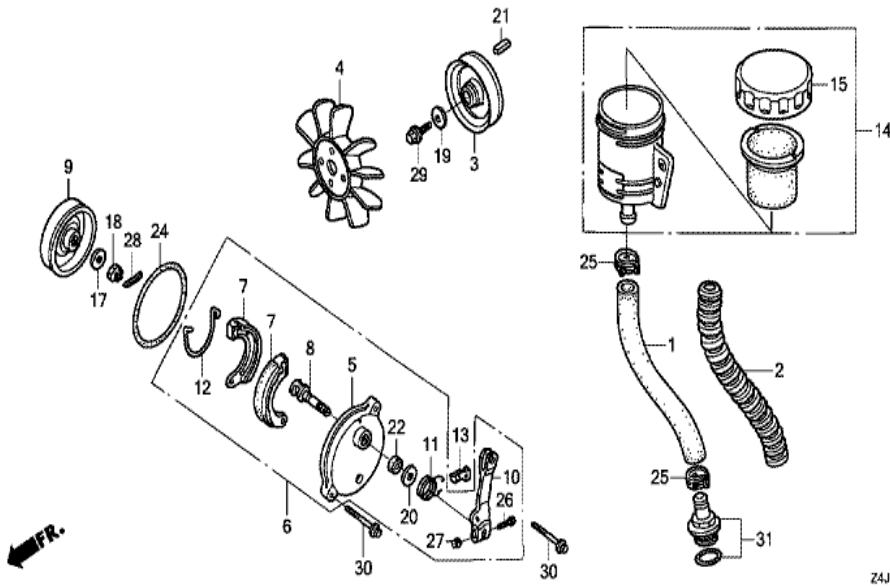


Z4J0-E4005

Ref	Partnumber	Description	GX160U1	Serial Numbers
001	21171-766-000	COVER, BEVEL	1	
002	23218-766-000	SHAFT, JOINT	1	
003	41131-766-000	PINION, BEVEL	1	
004	90540-740-000	WASHER, BEVEL GEAR	1	
005	91001-878-003	BEARING, RADIAL BALL,	1	
006	91301-766-003	O-RING, 42.5X3	1	
007	94510-22000	CIRCLIP, EXTERNAL, 22MM	1	
008	94520-50000	CIRCLIP, INTERNAL, 50MM	1	
009	96100-6203000	BEARING, RADIAL BALL, 6203	1	

GX160U1(QFE4)

E-40-6 OTHER PARTS (OIL TANK/BRAKE PANEL)

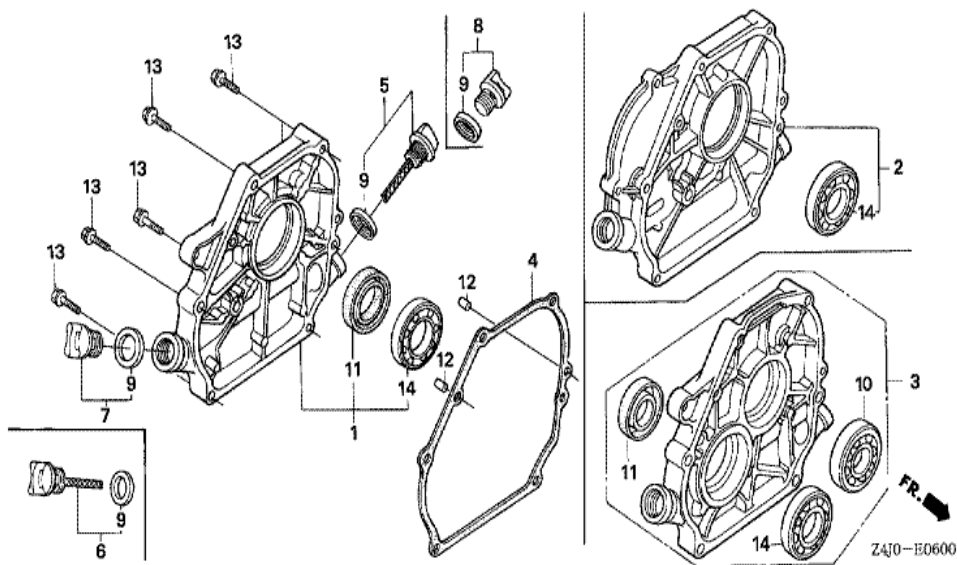


Z4J0E4006A

<u>Ref</u>	<u>Partnumber</u>	<u>Description</u>	<u>GX160U1</u>	<u>Serial Numbers</u>
001	15422-776-000	TUBE, OIL	1	
002	15428-767-000	PROTECTOR, OIL TUBE	1	
003	22411-734-700	PULLEY, DRIVE (80MM)	1	
004	40491-776-003	FAN, TRANSMISSION COOLING	1	
005	43100-740-000	PANEL COMP., BRAKE	1	
006	43100-776-000	PANEL ASSY., BRAKE	1	
007	43125-GZ9-003	SHOE COMP., BRAKE (ASK)	2	
008	43141-740-000	CAM, BRAKE	1	
009	43210-751-003	DRUM COMP., BRAKE	1	
010	43410-740-000	ARM, BRAKE	1	
011	43417-776-000	SPRING, BRAKE ARM	1	
012	45133-044-000	SPRING, BRAKE SHOE	1	
013	45135-740-000	PLATE, BRAKE ARM SPRING	1	
<u>Ref</u>	<u>Partnumber</u>	<u>Description</u>	<u>GX160U1</u>	<u>Serial Numbers</u>
014	56850-767-000	TANK ASSY., OIL	1	
015	56862-767-300	BODY, OIL CAP	1	
017	90017-PE0-000	WASHER, 10MM	1	
018	90301-740-003	NUT, CASTLE, 10MM	1	
019	90473-842-000	WASHER, 8MM	1	
020	90529-126-770	WASHER,	1	
021	90741-732-000	KEY, 5X5X21	1	
022	91262-740-003	SEAL, BRAKE CAM	1	
024	91352-740-003	O-RING, 100X2	1	
025	91462-SA5-950	CLAMP D, 19MM	2	
026	92101-050280A	BOLT, HEX., 5X28	1	
027	94050-05000	NUT, FLANGE, 5MM	1	
028	94201-20200	PIN, SPLIT, 2.0X20	1	
029	95701-0802000	BOLT, FLANGE, 8X20	1	
030	95801-0602800	BOLT, FLANGE, 6X28	2	
031	04201-766-000	CONNECTOR SET, SUCTION PORT	1	

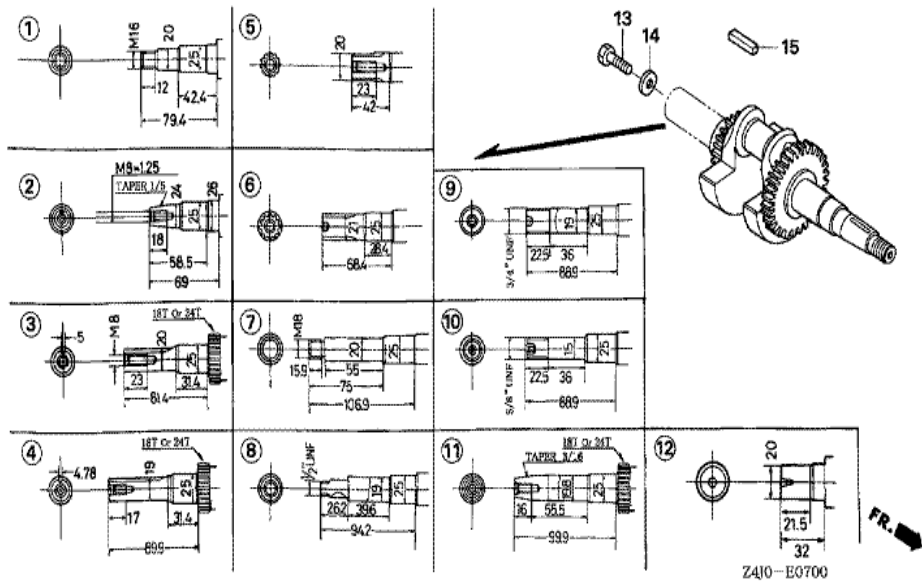
GX160U1(QFE4)

E-6 CRANKCASE COVER (1)



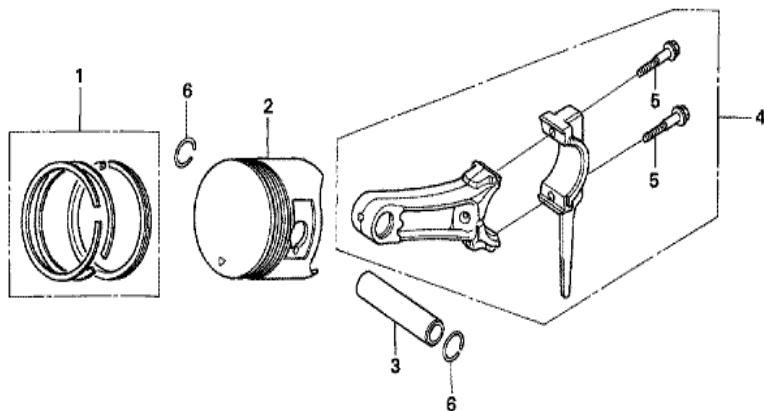
Ref	Partnumber	Description	GX160U1	Serial Numbers
001	11300-ZE1-642	COVER ASSY., CRANKCASE	1	
001	11300-ZE1-642	COVER ASSY., CRANKCASE	1	
004	11381-ZH8-801	PACKING, CASE COVER (NON ASBESTOS)	1	
005	15600-ZE1-003	CAP ASSY., OIL FILLER (GRAY)	1	
007	15600-ZG4-003	CAP ASSY., OIL FILLER	1	
009	15625-ZE1-003	PACKING, OIL FILLER CAP	2	
011	91201-ZOT-801	OIL SEAL, 25X41X6 (NOK)	1	
012	94301-08140	DOWEL PIN, 8X14	2	
013	95701-0803200	BOLT, FLANGE, 8X32	6	
014	96100-6205000	BEARING, RADIAL BALL, 6205	1	

GX160U1(QFE4)	E-7 CRANKSHAFT
---------------	----------------



Ref	Partnumber	Description	GX160U1	Serial Numbers
004	13310-ZE1-601	CRANKSHAFT COMP.	1	
004	13310-ZE1-601	CRANKSHAFT COMP.	1	
015	90745-ZE1-600	KEY, 4.78X4.78X38	1	
015	90745-ZE1-600	KEY, 4.78X4.78X38	1	

GX160U1(QFE4)	E-8 PISTON
---------------	------------



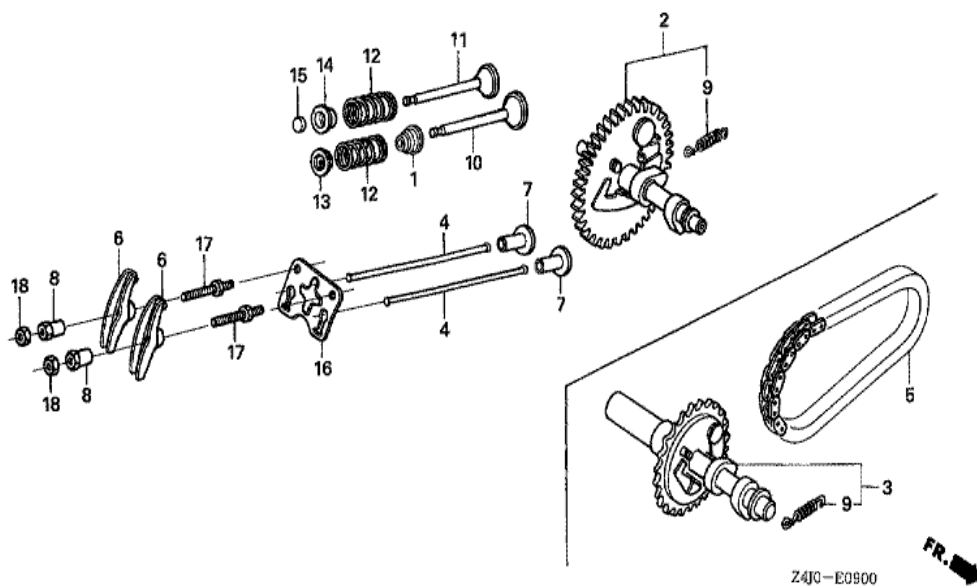
Z4J0-E0800



Ref	Partnumber	Description	GX160U1	Serial Numbers
001	13010-Z4K-004	RING SET, PISTON (STD.) (TPR)	1	1120414
001	13010-ZL0-003	RING SET, PISTON (STD.) (TEIKOKU)	1	1120413
001	13010-ZL0-003	RING SET, PISTON (STD.) (TEIKOKU)	1	1120413
001	13010-ZL0-004	RING SET, PISTON (STD.) (NIPPON)	1	1120413
001	13010-ZL0-004	RING SET, PISTON (STD.) (NIPPON)	1	1120413
001	13011-Z4K-004	RING SET, PISTON (0.25) (TPR)	(1)	1120414
001	13011-Z4K-004	RING SET, PISTON (0.25) (TPR)	(1)	1120414
001	13011-ZL0-003	RING SET, PISTON (0.25) (TEIKOKU)	(1)	1120413
001	13011-ZL0-003	RING SET, PISTON (0.25) (TEIKOKU)	(1)	1120413
001	13011-ZL0-004	RING SET, PISTON (0.25) (NIPPON)	(1)	1120413
001	13011-ZL0-004	RING SET, PISTON (0.25) (NIPPON)	(1)	1120413
001	13012-Z4K-004	RING SET, PISTON (0.50) (TPR)	(1)	1120414
001	13012-Z4K-004	RING SET, PISTON (0.50) (TPR)	(1)	1120414

<u>Ref</u>	<u>Partnumber</u>	<u>Description</u>	<u>GX160U1</u>	<u>Serial Numbers</u>
001	13012-ZL0-003	RING SET, PISTON (0.50) (TEIKOKU)	(1)	1120413
001	13012-ZL0-003	RING SET, PISTON (0.50) (TEIKOKU)	(1)	1120413
001	13012-ZL0-004	RING SET, PISTON (0.50) (NIPPON)	(1)	
001	13012-ZL0-004	RING SET, PISTON (0.50) (NIPPON)	(1)	1120413
001	13013-Z4K-004	RING SET, PISTON (0.75) (TPR)	(1)	1120414
001	13013-Z4K-004	RING SET, PISTON (0.75) (TPR)	(1)	1120414
001	13013-ZL0-003	RING SET, PISTON (0.75) (TEIKOKU)	(1)	1120413
001	13013-ZL0-003	RING SET, PISTON (0.75) (TEIKOKU)	(1)	1120413
001	13013-ZL0-004	RING SET, PISTON (0.75) (NIPPON)	(1)	1120413
001	13013-ZL0-004	RING SET, PISTON (0.75) (NIPPON)	(1)	1120413
002	13101-ZH8-010	PISTON (STD.)	1	
002	13101-ZH8-010	PISTON (STD.)	1	1120413
002	13101-ZH8-020	PISTON (STD.)	1	1120414
002	13101-ZH8-020	PISTON (STD.)	1	1120414
002	13102-ZH8-010	PISTON (0.25)	(1)	1120413
002	13102-ZH8-010	PISTON (0.25)	(1)	1120413
002	13102-ZH8-020	PISTON (0.25)	(1)	1120414
002	13102-ZH8-020	PISTON (0.25)	(1)	1120414
002	13103-ZH8-010	PISTON (0.50)	(1)	1120413
002	13103-ZH8-010	PISTON (0.50)	(1)	1120413
002	13103-ZH8-020	PISTON (0.50)	(1)	1120414
002	13103-ZH8-020	PISTON (0.50)	(1)	1120414
002	13104-ZH8-010	PISTON (0.75)	(1)	
002	13104-ZH8-010	PISTON (0.75)	(1)	1120413
002	13104-ZH8-020	PISTON (0.75)	(1)	1120414
002	13104-ZH8-020	PISTON (0.75)	(1)	1120414
003	13111-ZE1-000	PIN, PISTON	1	
004	13200-ZE1-010	ROD ASSY., CONNECTING (STD.)	1	
005	90001-ZE1-000	BOLT, CONNECTING ROD	2	
006	90551-ZE1-000	CLIP, PISTON PIN, 18MM	2	

GX160U1(QFE4)	E-9 CAMSHAFT
---------------	--------------



<u>Ref</u>	<u>Partnumber</u>	<u>Description</u>	<u>GX160U1</u>	<u>Serial Numbers</u>
001	12209-ZH8-003	SEAL, VALVE STEM	1	
002	14100-ZE1-812	CAMSHAFT ASSY.	1	
002	14100-ZE1-812	CAMSHAFT ASSY.	1	
004	14410-ZE1-010	ROD, PUSH	2	
006	14431-ZE1-000	ARM, VALVE ROCKER	2	
007	14441-ZE1-010	LIFTER, VALVE	2	
008	14451-ZE1-013	PIVOT, ROCKER ARM	2	
009	14568-ZE1-000	SPRING, WEIGHT RETURN	1	
010	14711-ZF1-000	VALVE, IN.	1	
011	14721-ZF1-000	VALVE, EX.	1	
012	14751-ZF1-000	SPRING, VALVE	2	
013	14771-ZE1-000	RETAINER, IN. VALVE SPRING	1	
014	14773-ZE1-000	RETAINER, EX. VALVE SPRING	1	
<u>Ref</u>	<u>Partnumber</u>	<u>Description</u>	<u>GX160U1</u>	<u>Serial Numbers</u>
015	14781-ZE1-000	ROTATOR, VALVE	1	
016	14791-ZE1-010	PLATE, PUSH ROD GUIDE	1	
017	90012-ZE0-010	BOLT, PIVOT, 8MM	2	
018	90206-ZE1-000	NUT, PIVOT ADJUSTING	2	